

# EDI

## APERAK Bookings

Message Implementation Guide

Version 1.0.2

(Valid from 1<sup>st</sup> July 2016)

**DAKOSY**  
Datenkommunikationssystem AG

Mattentwiete 2  
20457 Hamburg  
[www.dakosy.de](http://www.dakosy.de)

Phone: + 49 40 37003 - 0  
Fax: + 49 40 37003 - 370  
[info@dakosy.de](mailto:info@dakosy.de)

**Change History**

Version	Concerned section	Reason	Name	Datum
1.0.0		First compilation	M. Kramper, J. Diettrich	20.12.2013
1.0.1	RFF	New codes „ZZZ“(DAKOSY-reference number) and „IT“ (INTTRA- reference number)	J. Diettrich/A.Kunze	29.01.2014
1.0.2	BGM  RFF	New codes „749“ (VGM APERAK) and „23“ (response VGM, alternative to 749) New Code “AAQ” (container no.)	M. Kramper/ J. Diettrich	11.07.2016

**Change requests****DAKOSY****Datenkommunikationssystem AG**

Mattentwiete 2

20457 Hamburg

1. Phone: + 49 40 37003 - 0
2. Fax: + 49 40 37003 - 370
3. Email: info@dakosy.de

**Used tools**

Number	Used tools
W1	This document was created with the word processing programme <b>MS Word 2010</b> .

**Liability**

1. Please note that no liability claims can be derived towards DAKOSY AG for the content of this manual, despite careful developing and examination of this document!

## Table of contents

<b>1. Implementation / Guideline Information.....</b>	<b>4</b>
<b>2. Message Structure .....</b>	<b>6</b>
<b>3. Branching Diagram .....</b>	<b>6</b>
<b>4. Segment Description.....</b>	<b>9</b>

## 1. Implementation / Guideline Information

The segments are being represented by a universal diagram.

Example:

		<b>TDT</b>			1 R 1 1		Schiffsname, Reisennummer-Reeder, Funkrufzeichen
		<b>Standard</b>		<b>Implementation</b>			
Bez	Name	St	Format	St	Format	Anwendung / Bemerkung	
TDT							
8051	Transportstrecke/-abschnitt, Qualifier	M	an..3	R	an..3	<b>20 Hauptlauf</b>	
8028	Beförderungsnummer	C	an..17	O	an..17	Hier kann die Reisennummer des Reeders angegeben werden.	
C220	Art des Transportes	C		O			
8067	Transportart, codiert	C	an..3	O	an..3	<b>1 Maritime transport</b>	
8066	Transportart	C	an..17	O	an..17		
C228	Transportmittel	C		O			
8179	Art des Transportmittels, Identifikation	C	an..8	O	an..8	<b>11 Schiff 13 Seeschiff</b>	
8178	Art des Transportmittels	C	an..17	O	an..17		
C040	Frachtführer	C		O			
3127	Frachtführer, Identifikation	C	an..17	O	an..17		
1131	Codeliste, Qualifier	C	an..3	O	an..3	<b>172 Frachtführer-Code</b>	

The first (main) column „EDIFACT“ with its 3 sub-columns describes the structure of the used EDIFACT message. The identifier/number of the respective composite or data element is indicated in the first column, the corresponding meaning/name is indicated in the second column and the third column refers to the usage and format.

The second (main) column „application“ with its 3 sub-columns describes how to use the respective composites and data elements for the GPO.

The first column ST = Status means:

- **M (Mandatory) or R (Required)**

The M will be adopted in this column, if a composite or data element is already mandatory (**M = Mandatory**) in the actual EDIFACT message. In other cases the **R = Required** indicates a required field from the B/L applications' perspective.

- **D (Depending)**

The data units have to be transmitted, in case of certain conditions which either are described in the column „Usage/hints“ or derive from the use case. Segment group 32 (Indication of dangerous goods) e.g. carries the status „D“, since the use depends on whether the position/item involves dangerous goods or not.

- **C (Conditional/Optional)**

It is up to the message sender to transmit the data units. In case of doubt an individual regulation between sender and recipient has to be agreed.

- **X /N (not used)**

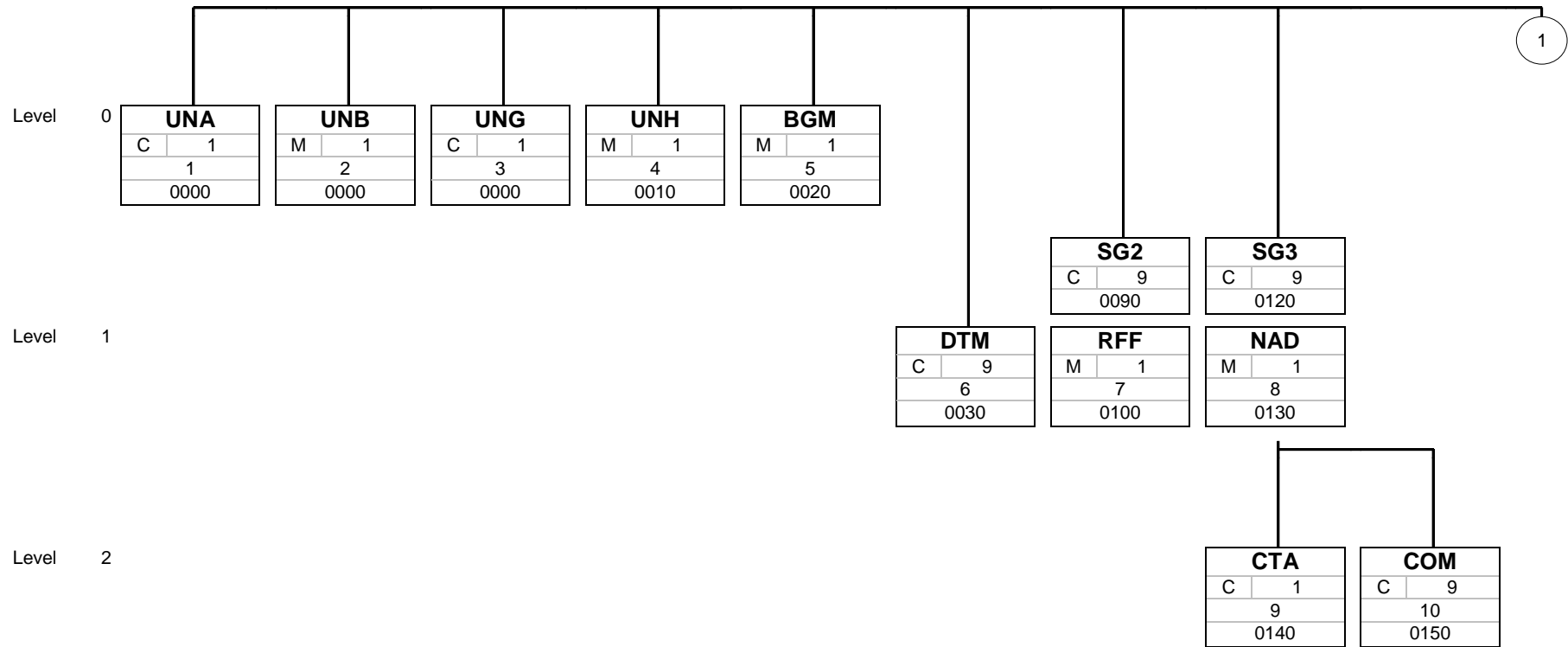
Such identified composites or data elements are not used.

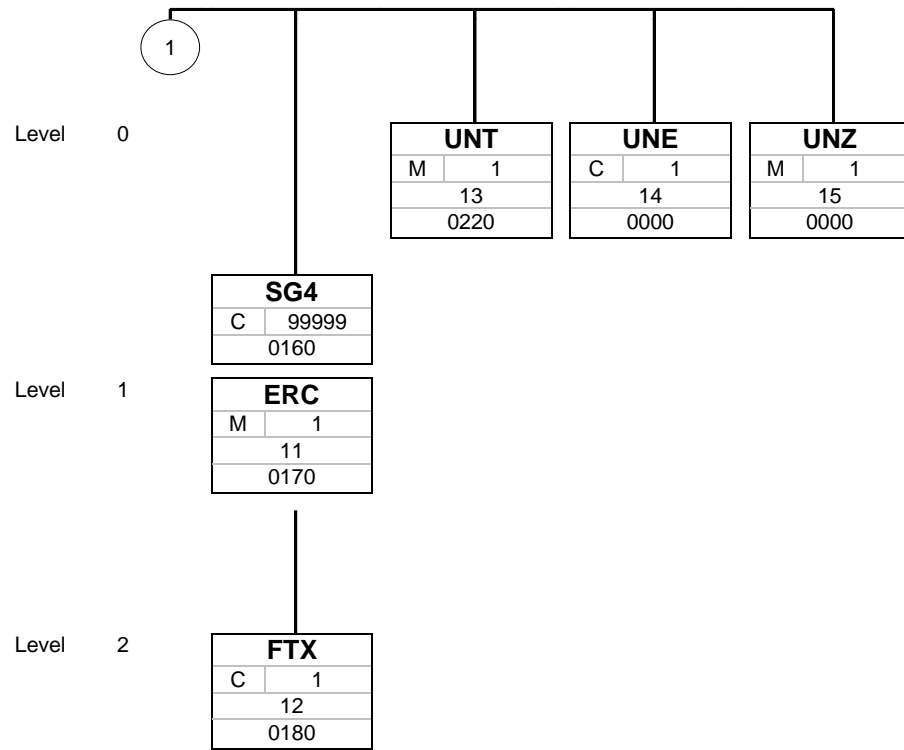
The second column indicates examples to respective data elements and the third column contains important specifications for the usage, such as codes, port-specific conditions or format restrictions.

## 2. Message Structure

Counter	No	Tag	St	MaxOcc	Level	Content
0000	1	<b>UNA</b>	C	1	0	Service string advice
0000	2	<b>UNB</b>	M	1	0	Interchange header
0000	3	<b>UNG</b>	C	1	0	Functional group header
0010	4	<b>UNH</b>	M	1	0	Message header
0020	5	<b>BGM</b>	M	1	0	Beginning of message
0030	6	<b>DTM</b>	C	9	1	Date/time/period
		<b>SG2</b>	C	9	1	RFF
0100	7	<b>RFF</b>	M	1	1	Reference
		<b>SG3</b>	C	9	1	NAD-CTA-COM
0130	8	<b>NAD</b>	M	1	1	Name and address
0140	9	<b>CTA</b>	C	1	2	Contact information
0150	10	<b>COM</b>	C	9	2	Communication contact
		<b>SG4</b>	C	99999	1	ERC-FTX
0170	11	<b>ERC</b>	M	1	1	Application error information
0180	12	<b>FTX</b>	C	1	2	Free text
0220	13	<b>UNT</b>	M	1	0	Message trailer
0000	14	<b>UNE</b>	C	1	0	Functional group trailer
0000	15	<b>UNZ</b>	M	1	0	Interchange trailer

## 3. Branching Diagram







## 4. Segment Description

Counter	No	Tag	Var	St	MaxOcc	Level	Name
0000	1	<b>UNA</b>	1	C	1	0	Service string advice

Standard			Implementation	
Tag	Name	St Format	St Format	Usage / Remark
UNA				
UNA1	Component data element separator	M an1	M an1	:
UNA2	Data element separator	M an1	M an1	+
UNA3	Decimal notation	M an1	M an1	.
UNA4	Release indicator	M an1	M an1	?
UNA5	Reserved for future use	M an1	M an1	Blank/space
UNA6	Segment terminator	M an1	M an1	'

**Remark:**

The use of the separators shown in the example is recommended.

**Example:**

UNA: + . ? '

Counter	No	Tag	Var	St	MaxOcc	Level	Name
0000	2	<b>UNB</b>	1	M	1	0	Interchange header

		Standard		Implementation		
Tag	Name	St	Format	St	Format	Usage / Remark
UNB						
S001	Syntax identifier	M		M		<b>UNOC UN/ECE level C 3 Version 3</b>
0001	Syntax identifier	M	a4	M	a4	
0002	Syntax version number	M	n1	M	n1	
S002	Interchange sender	M		M		DAKOSY (+DAKOS)
0004	Sender identification	M	an..35	M	an..35	
S003	Interchange recipient	M		M		
0010	Recipient identification	M	an..35	M	an..35	The use of the DAKOSY participant code is recommended. However, other denotation can also be used and has to be agreed with DAKOSY.  Participant code
S004	Date/time of preparation	M		M		Format: YYMMDD The specification of time is assumed to be UTC (GMT).
0017	Date of preparation	M	n6	M	n6	
0019	Time of preparation	M	n4	M	n4	
0020	Interchange control reference	M	an..14	M	an..14	The reference must be assigned uniquely.
S005	Recipient's reference, password	C		N		Not used
0022	Recipient's reference/password	M	an..14	N		Not used Not used
0026	Application reference	C	an..14	N		Not used Not used
0029	Processing priority code	C	a1	N		Not used Not used
0031	Acknowledgement request	C	n1	N		Not used Not used
0032	Communications agreement ID	C	an..35	N		Not used Not used
0035	Test indicator	C	n1	C	n1	<b>1 Interchange is a test</b> Only to be specified if interchange is a test.

**Remark:**

**Example:**

UNB+UNOC:3+DAKOS+Participant code+130924:1249+UNB-Reference+++++1'

Counter	No	Tag	Var	St	MaxOcc	Level	Name
0000	3	<b>UNG</b>	1	C	1	0	Functional group header

Standard			Implementation	
Tag	Name	St Format	St Format	Usage / Remark
UNG				
0038	Functional group identification	M an..6	M an..6	
S006	Application sender's identification	M	M	
0040	Sender identification	M an..35	M an..35	This data element is used to specify the participant code of the sender.
S007	Application recipient's identification	M	M	
0044	Recipient's identification	M an..35	M an..35	This element is used to specify the participant code of the recipient.
S004	Date/time of preparation	M	M	
0017	Date of preparation	M n6	M n6	Format: YYMMDD
0019	Time of preparation	M n4	M n4	The reference must be assigned uniquely.
0048	Functional group reference number	M an..14	M an..14	
0051	Controlling agency	M an..2	M an..2	<b>UN UN/CEFACT</b>
S008	Message version	M	M	
0052	Message version number	M an..3	M an..3	<b>D Draft version/UN/EDIFACT Directory</b>
0054	Message release number	M an..3	M an..3	<b>00B Release 2000 - B</b>

**Remark:**

The UNG header segment opens a functional message group "UNG/UNE". The message group is required for addressing the recipient during the transmission of booking data via the DAKOSY port communication system. The message group "UNG/UNE" may include one or several booking messages for the recipient, specified in the UNG.

**Example:**

UNG+X+Sender+Recipient+130922:1249+UNG-Reference+UN+D:00B'

Counter	No	Tag	Var	St	MaxOcc	Level	Name
0010	4	<b>UNH</b>	1	M	1	0	Message header

Standard			Implementation	
Tag	Name	St Format	St Format	Usage / Remark
UNH				
0062	Message reference number	M an..14	M an..14	The reference must be assigned uniquely.
S009	Message identifier	M	M	
0065	Message type	M an..6	M an..6	<b>APERAK Application error and acknowledgement message</b>
0052	Message version number	M an..3	M an..3	<b>D Draft version/UN/EDIFACT Directory</b>
0054	Message release number	M an..3	M an..3	<b>00B Release 2000 - B</b>
0051	Controlling agency	M an..2	M an..2	<b>UN UN/CEFACT</b>

**Remark:**

**Example:**

UNH+UNH-Reference+APERAK:D:00B:UN'

Counter	No	Tag	Var	St	MaxOcc	Level	Name
0020	5	<b>BGM</b>	1	M	1	0	Beginning of message

Standard			Implementation	
Tag	Name	St Format	St Format	Usage / Remark
BGM				
C002	Document/message name	C	C	
1001	Document name code	C an..3	C an..3	<b>335 Booking request</b> <b>770 Booking confirmation</b> <b>749 VGM APERAK</b> <b>23 Status information</b> 23 = Acknowledgment of VGM, alternative to code 749
C106	Document/message identification	C	N	
1004	Document identifier	C an..35	N	Not used
1225	Message function code	C an..3	C an..3	<b>9 Original</b>
4343	Response type code	C an..3	C an..3	<b>AP Accepted</b> <b>RE Rejected</b>

**Remark:****Example:**

BGM+335++9+AP'

Counter	No	Tag	Var	St	MaxOcc	Level	Name
0030	6	<b>DTM</b>	1	C	9	1	Date/time/period

		Standard	Implementation	
Tag	Name	St Format	St Format	Usage / Remark
DTM				
C507	Date/time/period	M	M	
2005	Date or time or period function code qualifier	M an..3	M an..3	<b>9 Processing date/time</b>
2380	Date or time or period value	C an..35	C an..35	
2379	Date or time or period format code	C an..3	C an..3	<b>203 CCYYMMDDHHMM</b>

**Remark:**

**Example:**

DTM+9:201309211030:203'

Counter	No	Tag	Var	St	MaxOcc	Level	Name
0090		<b>SG2</b>	1	C	9	1	RFF
0100	7	<b>RFF</b>	1	M	1	1	Reference

Standard			Implementation	
Tag	Name	St Format	St Format	Usage / Remark
RFF				
C506	Reference	M	M	
1153	Reference function code qualifier	M an..3	M an..3	<b>AGO</b> Sender's reference to the original message <b>ACW</b> Reference number to previous message <b>AAQ</b> Unit load device (e.g. container) identification number <b>BN</b> Booking reference number <b>IT</b> Internal customer number <b>INO</b> Interchange number old <b>ZZZ</b> Mutually defined reference number INO = Interchange number of previous message AAQ = Container number ACW = Customers unique shipment identification number (Document identifier of BGM) AGO = Message reference number of previous message BN = Carrier booking number of previous message IT = INTTRA reference number ZZZ = DAKOSY reference
1154	Reference identifier	C an..35	C an..35	

Remark:

Example:

RFF+AGO:Reference'

Counter	No	Tag	Var	St	MaxOcc	Level	Name
0120		<b>SG3</b>	1	C	9	1	<b>NAD-CTA-COM</b>
0130	8	<b>NAD</b>	1	M	1	1	<b>Name and address</b>

Standard			Implementation	
Tag	Name	St Format	St Format	Usage / Remark
NAD				
3035	Party function code qualifier	M an..3	M an..3	<b>CA Carrier</b> <b>GF Slot charter party</b> <b>TY Provider</b>
C082	Party identification details	C	C	
3039	Party identifier	M an..35	M an..35	DAKOSY

**Remark:**

**Example:**

NAD+CA+DAKOSY'



Counter	No	Tag	Var	St	MaxOcc	Level	Name
0120		<b>SG3</b>	1	C	9	1	<b>NAD-CTA-COM</b>
0140	9	<b>CTA</b>	1	C	1	2	<b>Contact information</b>

Standard			Implementation	
Tag	Name	St Format	St Format	Usage / Remark
CTA				
3139	Contact function code	C an..3	C an..3	<b>IC Information contact</b>
C056	Department or employee details	C	C	
3413	Department or employee name code	C an..17	N	Not used
3412	Department or employee name	C an..35	C an..35	DAKOSY-SUPPORT

**Remark:**

**Example:**

CTA+IC+:DAKOSY Support'

Counter	No	Tag	Var	St	MaxOcc	Level	Name
0120		<b>SG3</b>	1	C	9	1	<b>NAD-CTA-COM</b>
0150	10	<b>COM</b>	1	C	9	2	<b>Communication contact</b>

Standard			Implementation	
Tag	Name	St Format	St Format	Usage / Remark
COM				
C076	Communication contact	M	M	
3148	Communication number	M an..512	M an..512	040 / 37 86 09 - 90
3155	Communication number code qualifier	M an..3	M an..3	<b>TE Telephone</b> <b>FX Telefax</b> <b>EM Electronic mail</b>

**Remark:**

**Example:**

COM+040 / 37 86 09 - 90:TE'

Counter	No	Tag	Var	St	MaxOcc	Level	Name
0160		<b>SG4</b>	1	C	99999	1	<b>ERC-FTX</b>
0170	11	<b>ERC</b>	1	M	1	1	<b>Application error information</b>

Standard			Implementation	
Tag	Name	St Format	St Format	Usage / Remark
ERC				
C901	Application error detail	M	M	
9321	Application error code	M an..8	M an..8	

**Remark:**

**Example:**

ERC+X'

Counter	No	Tag	Var	St	MaxOcc	Level	Name
0160		<b>SG4</b>	1	C	99999	1	ERC-FTX
0180	12	<b>FTX</b>	1	C	1	2	Free text

Standard			Implementation	
Tag	Name	St Format	St Format	Usage / Remark
FTX				
4451	Text subject code qualifier	M an..3	M an..3	<b>AAO Error description (free text)</b>
4453	Free text function code	C an..3	N	Not used
C107	Text reference	C	N	
4441	Free text value code	M an..17	N	Not used
C108	Text literal	C	C	
4440	Free text value	M an..512	M an..512	
3453	Language name code	C an..3	C an..3	

**Remark:**

**Example:**

FTX+AAO+++X+aa'

Counter	No	Tag	Var	St	MaxOcc	Level	Name
0220	13	<b>UNT</b>	1	M	1	0	Message trailer

		Standard	Implementation	
Tag	Name	St Format	St Format	Usage / Remark
UNT				
0074	Number of segments in the message	M n..6	M n..6	
0062	Message reference number	M an..14	M an..14	

**Remark:**

**Example:**

UNT+No. of segments+Message reference no.'

Counter	No	Tag	Var	St	MaxOcc	Level	Name
0000	14	<b>UNE</b>	1	C	1	0	Functional group trailer

		Standard	Implementation	
Tag	Name	St Format	St Format	Usage / Remark
UNE				
0060	Number of messages	M n..6	M n..6	
0048	Functional group reference number	M an..14	M an..14	

**Remark:**

**Example:**

UNE+1+X'

Counter	No	Tag	Var	St	MaxOcc	Level	Name
0000	15	<b>UNZ</b>	1	M	1	0	Interchange trailer

		Standard	Implementation	
Tag	Name	St Format	St Format	Usage / Remark
UNZ				
0036	Interchange control count	M n..6	M n..6	
0020	Interchange control reference	M an..14	M an..14	

**Remark:**

**Example:**

UNZ+1+X'