

# EDI

# APERAK

## Responses related to customs declarations ECS Netherlands/Belgium

Message Implementation Guide  
Version 1.2/E

(Valid from January 2018)

**DAKOSY**  
Datenkommunikationssystem AG

Mattentwiete 2  
20457 Hamburg  
[www.dakosy.de](http://www.dakosy.de)

Phone: + 49 40 37003 - 0  
Fax: + 49 40 37003 - 370  
[info@dakosy.de](mailto:info@dakosy.de)

**Change History**

Version	Concerned section	Reason	Name	Datum
1.0	All	Creation of the document	C. Wegner	2009-05-22
1.1		Associated Code changed -> NLEEC01, Acknowledgement DAKOSY Accepted added, status NRL in acknowledgement Portbase added	C. Wegner	2010-05-11
1.2	All	Addition of interface description: specifications for ECS Belgium Smaller corrections and new layout Addition of code "RE" – Rejected by DAKOSY in the BGM segment	J. Dietrich	2018-01-22

Change requests

**DAKOSY**

**Datenkommunikationssystem AG**

Mattentwiete 2

20457 Hamburg

- 1. Phone: + 49 40 37003 - 0
- 2. Fax: + 49 40 37003 - 370
- 3. Email: info@dakosy.de

**Used tools**

Number	Used tools
W1	This document was created with the word processing programme <b>MS Word 2010</b> .

## Table of contents

<b>1</b>	<b>Introduction .....</b>	<b>4</b>
<b>2</b>	<b>Implementation / Guideline Information .....</b>	<b>5</b>
<b>3</b>	<b>Message Structure .....</b>	<b>6</b>
<b>4</b>	<b>Branching Diagram .....</b>	<b>6</b>
<b>5</b>	<b>Segment Description.....</b>	<b>9</b>
<b>6</b>	<b>Process description for the communication with Portbase for ECS Netherlands .....</b>	<b>21</b>
<b>6.1</b>	<b>Process procedure error-free data sequence at DAKOSY and ECS / Portbase .....</b>	<b>21</b>
<b>6.2</b>	<b>Process procedure after ECS / Portbase error message.....</b>	<b>22</b>

# 1 Introduction

The current implementation guide describes the responses in return to customs declarations ECS Netherlands/Belgium.

The response is given back in the form of an EDIFACT message APERAK to the original data sender of the HDS DY01. At the same time the **APERAK** message is used for transaction GM01 as status message<sup>1</sup> (loading stop, release, completion). Due to missing port references all confirmations refer to the forwarder's reference of the sending participant.

**General principles for the communication with DAKOSY are stored in the module „general part“ and therefore no component of this module.**

## 2 Implementation / Guideline Information

The segments are being represented by a universal diagram.

Example:

0470	42	<b>TDT</b>	1	R	1	1	Schiffsname, Reisennummer-Reeder, Funkrufzeichen
		Standard	Implementation				
Bez	Name	St Format	St Format	St Format	Anwendung / Bemerkung		
TDT							
8051	Transportstrecke/-abschnitt, Qualifier	M an..3	R an..3		<b>20 Hauptlauf</b>		
8028	Beförderungsnummer	C an..17	O an..17		Hier kann die Reisennummer des Reeders angegeben werden.		
C220	Art des Transportes	C	O				
8067	Transportart, codiert	C an..3	O an..3		<b>1 Maritime transport</b>		
8066	Transportart	C an..17	O an..17				
C228	Transportmittel	C	O				
8179	Art des Transportmittels, Identifikation	C an..8	O an..8		<b>11 Schiff 13 Seeschiff</b>		
8178	Art des Transportmittels	C an..17	O an..17				
C040	Frachtführer	C	O				
3127	Frachtführer, Identifikation	C an..17	O an..17				
1131	Codeliste, Qualifier	C an..3	O an..3		<b>172 Frachtführer-Code</b>		

The first (main) column „EDIFACT“ with its 3 sub-columns describes the structure of the used EDIFACT message. The identifier/number of the respective composite or data element is indicated in the first column, the corresponding meaning/name is indicated in the second column and the third column refers to the usage and format.

The second (main) column „application“ with its 3 sub-columns describes how to use the respective composites and data elements for the GPO.

The first column ST = Status means:

- **M (Mandatory) or R (Required)**

The M will be adopted in this column, if a composite or data element is already mandatory (**M = Mandatory**) in the actual EDIFACT message. In other cases the **R = Required** indicates a required field from the B/L applications' perspective.

- **D (Depending)**

The data units have to be transmitted, in case of certain conditions which either are described in the column "Usage/hints" or derive from the use case. Segment group 32 (Indication of dangerous goods) e.g. carries the status „D“, since the use depends on whether the position/item involves dangerous goods or not.

- **C (Conditional/Optional)**

It is up to the message sender to transmit the data units. In case of doubt an individual regulation between sender and recipient has to be agreed.

- **X/N (not used)**

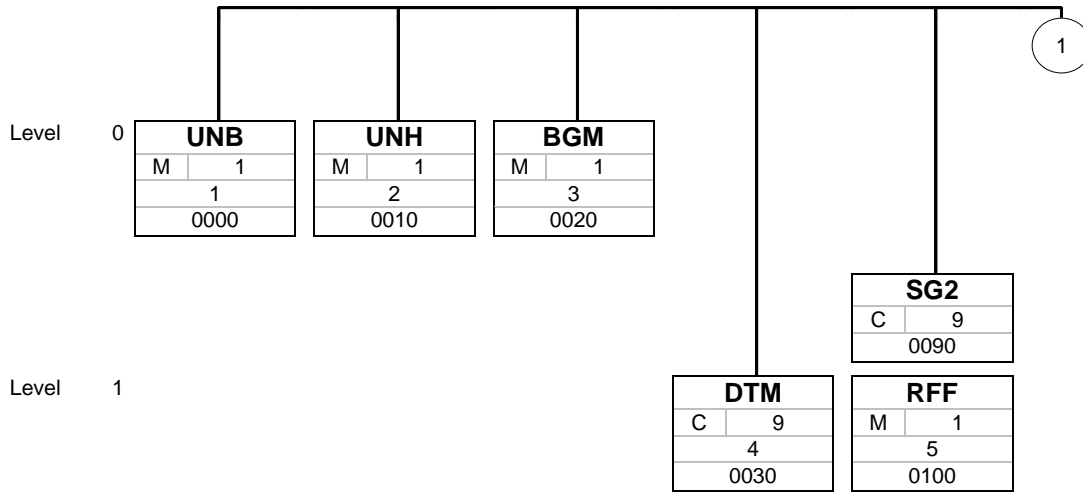
Such identified composites or data elements are not used.

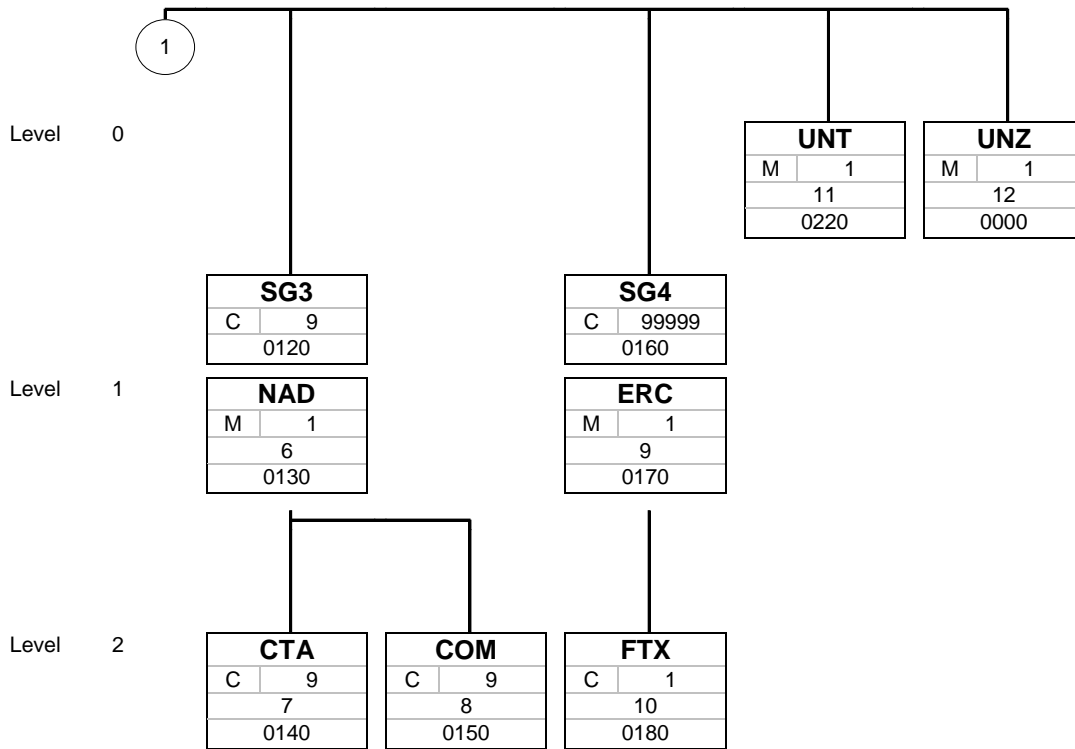
The second column indicates examples to respective data elements and the third column contains important specifications for the usage, such as codes, port-specific conditions or format restrictions.

### 3 Message Structure

Counter	No	Tag	St	MaxOcc	Level	Content
0000	1	<b>UNB</b>	M	1	0	Interchange header
0010	2	<b>UNH</b>	M	1	0	Message header
0020	3	<b>BGM</b>	M	1	0	Beginning of message
0030	4	<b>DTM</b>	C	9	1	Date/time/period
0090		<b>SG2</b>	C	9	1	RFF
0100	5	<b>RFF</b>	M	1	1	Reference
0120		<b>SG3</b>	C	9	1	NAD-CTA-COM
0130	6	<b>NAD</b>	M	1	1	Name and address
0140	7	<b>CTA</b>	C	9	2	Contact information
0150	8	<b>COM</b>	C	9	2	Communication contact
0160		<b>SG4</b>	C	99999	1	ERC-FTX
0170	9	<b>ERC</b>	M	1	1	Application error information
0180	10	<b>FTX</b>	C	1	2	Free text
0220	11	<b>UNT</b>	M	1	0	Message trailer
0000	12	<b>UNZ</b>	M	1	0	Interchange trailer

### 4 Branching Diagram





## 5 Segment Description

Counter	No	Tag	St	MaxOcc	Level	Name
0000	1	<b>UNB</b>	M	1	0	Interchange header

		Standard	Implementation	
Tag	Name	St Format	St Format	Usage / Remark
UNB				
S001	Syntax identifier	M	M	
0001	Syntax identifier	M a4	M a4	<b>UNOB UN/ECE level B</b> UNOB = upper and lower case letters (DIN EN 29735)
0002	Syntax version number	M n1	M n1	<b>1 Version 1</b> 1 = new version
S002	Interchange sender	M	M	
0004	Sender identification	M an..35	M an..35	<b>DAK for the OK message</b> <b>POBA for messages of the Dutch customs forwarded via Portbase</b> <b>EBAI for messages of the Belgium customs forwarded via e-Balie</b>
0007	Partner identification code qualifier	C an..4	C an..4	
S003	Interchange recipient	M	M	
S004	Date/time of preparation	M	M	
0017	Date of preparation	M n6	M n6	Date format: YYMMDD
0019	Time of preparation	M n4	M n4	Time format: HHMM
0020	Interchange control reference	M an..14	M an..14	
S005	Recipient's reference, password	C	D	
0022	Recipient's reference/password	M an..14	M an..14	
0035	Test indicator	C n1	D n1	<b>1 Interchange is a test</b> Test indicator

**Remark:**

**Example:**

UNB+UNOB:1+POBA++160930:1314+X+X++++1'

Counter	No	Tag	St	MaxOcc	Level	Name
0010	2	<b>UNH</b>	M	1	0	Message header

			Standard	Implementation		
Tag	Name	St	Format	St	Format	Usage / Remark
UNH						
0062	Message reference number	M	an..14	M	an..14	Unique message number
S009	Message identifier	M		M		
0065	Message type	M	an..6	M	an..6	
0052	Message version number	M	an..3	M	an..3	<b>D Draft version/UN/EDIFACT Directory</b>
0054	Message release number	M	an..3	M	an..3	<b>95A Release 1995 - A</b>
0051	Controlling agency	M	an..2	M	an..2	
0057	Association assigned code	C	an..6	R	an..6	NLEEC01

**Remark:**

**Example:**

UNH+X+APERAK:D:95A:UN'

Counter	No	Tag	St	MaxOcc	Level	Name
0020	3	<b>BGM</b>	M	1	0	Beginning of message

Standard			Implementation	
Tag	Name	St Format	St Format	Usage / Remark
BGM				
C002	Document/message name	C	R	
1001	Document name code	C an..3	R an..3	<b>7 Process data report</b>
C106	Document/message identification	C	C	
1004	Document identifier	C an..35	R an..35	DAKOSY session number
1225	Message function code	C an..3	R an..3	<b>9 Original</b>
4343	Response type code	C an..3	D an..3	<b>CA Conditionally accepted</b> <b>RE Rejected</b> <b>AP Accepted</b> <b>RP Rejected</b>
CA = Accepted by DAKOSY RE = Rejected by DAKOSY AP = Accepted by Portbase/eBalie RP = Rejected by Portbase/eBalie Blank = Other status from Portbase/eBalie				
This data element is only used for the transmission of the status CA, RE, AP and RP, otherwise it remains blank.				

**Remark:**

**Example:**

BGM+7++9+CA'

Counter	No	Tag	St	MaxOcc	Level	Name
0030	4	<b>DTM</b>	C	9	1	Date/time/period

Standard			Implementation	
Tag	Name	St Format	St Format	Usage / Remark
DTM				
C507	Date/time/period	M	M	
2005	Date or time or period function code qualifier	M an..3	M an..3	<b>46 Cancellation date</b> <b>137 Document/message date/time</b> <b>204 Release date (Customs)</b> <b>226 Discrepancy date/time</b> 46 = Date / time of loading stop (GM01) 137 = Date / time of error message, OK message 204 = Release date (customs), date and time of release or permission to exit 226 = Date / time of completion
2380	Date or time or period value	C an..35	R an..35	
2379	Date or time or period format code	C an..3	R an..3	<b>203 CCYYMMDDHHMM</b>

**Remark:**

Date, time, period of error message, loading stop, release, completion

**Example:**

DTM+46:X:203'

Counter	No	Tag	St	MaxOcc	Level	Name
0090		<b>SG2</b>	C	9	1	RFF
0100	5	<b>RFF</b>	M	1	1	Reference

Standard			Implementation	
Tag	Name	St Format	St Format	Usage / Remark
RFF				
C506	Reference	M	M	
1153	Reference code qualifier	M an..3	M an..3	<b>ABA Customs valuation decision number</b> ABA = Freight forwarder's reference, reference of original sender
1154	Reference identifier	C an..70	R an..70	

**Remark:**

Reference of the presentor

**Example:**

RFF+ABA:Reference'

Counter	No	Tag	St	MaxOcc	Level	Name
0120		<b>SG3</b>	C	9	1	<b>NAD-CTA-COM</b>
0130	6	<b>NAD</b>	M	1	1	<b>Name and address</b>

Standard			Implementation	
Tag	Name	St Format	St Format	Usage / Remark
NAD				
3035	Party function code qualifier	M an..3	M an..3	<b>MS Document/message issuer/sender</b>
C082	Party identification details	C	R	
3039	Party identifier	M an..35	M an..35	DAKOSY, POBA or EBAI

**Remark:**

Sender (DAKOSY) or original sender of data

**Example:**

NAD+MS+POBA'

Counter	No	Tag	St	MaxOcc	Level	Name
0120		<b>SG3</b>	C	9	1	<b>NAD-CTA-COM</b>
0140	7	<b>CTA</b>	C	9	2	<b>Contact information</b>

Standard			Implementation	
Tag	Name	St Format	St Format	Usage / Remark
CTA				
3139	Contact function code	C an..3	R an..3	<b>BF Service contact</b>
C056	Department or employee details	C	R	
3412	Department or employee name	C an..35	R an..35	

**Remark:**

Contact information of the Portbase/eBalie Service Desk or DAKOSY participant support

**Example:**

CTA+BF+:X'

Counter	No	Tag	St	MaxOcc	Level	Name
0120		<b>SG3</b>	C	9	1	<b>NAD-CTA-COM</b>
0150	8	<b>COM</b>	C	9	2	<b>Communication contact</b>

Standard			Implementation	
Tag	Name	St Format	St Format	Usage / Remark
COM				
C076	Communication contact	M	M	
3148	Communication address identifier	M an..512	M an..512	
3155	Communication address code qualifier	M an..3	M an..3	<b>TE Telephone</b> <b>FX Telefax</b> <b>EM Electronic mail</b>

**Remark:**

Communication link / phone number

**Example:**

COM+X:TE'

Counter	No	Tag	St	MaxOcc	Level	Name
0160		<b>SG4</b>	C	99999	1	ERC-FTX
0170	9	<b>ERC</b>	M	1	1	Application error information

Standard			Implementation	
Tag	Name	St Format	St Format	Usage / Remark
ERC				
C901	Application error detail	M	M	ECS: <b>STO Examination / loading stop (refers to the freight forwarder's reference and MRN)</b> <b>NRL not released - message transferred without errors to Portbase/eBalie</b> <b>RLS released - permission for exit (refers solely to the freight forwarder's reference, see below = A)</b> <b>Other Error and information code acc. DAKOSY key list</b> <b>AAG Completion exit</b> A Within the communication processes with the Dutch/Belgian ECS system the primary Released message may be followed by an examination order and a renewed release anytime, whereas a loading stop may also be sent as first status response by Portbase/eBalie, subsequently followed by the Released message.
9321	Application error code	M an..8	M an..8	
1131	Code list identification code	C an..17	C an..17	DAK
3055	Code list responsible agency code	C an..3	C an..3	DAK

**Remark:**

Application error information, status, error code

**Example:**

ERC+NRL : DAK : DAKOSY '

Counter	No	Tag	St	MaxOcc	Level	Name
0160		<b>SG4</b>	C	99999	1	<b>ERC-FTX</b>
0180	10	<b>FTX</b>	C	1	2	<b>Free text</b>

Standard			Implementation	
Tag	Name	St Format	St Format	Usage / Remark
FTX				
4451	Text subject code qualifier	M an..3	C an..3	<b>AAO Error description (free text)</b>
C108	Text literal	C	R	
4440	Free text value	M an..512	M an..512	Comments to status changes or comments to the error code.
4440	Free text value	C an..512	D an..512	
4440	Free text value	C an..512	D an..512	
4440	Free text value	C an..512	D an..512	
4440	Free text value	C an..512	D an..512	

**Remark:**

Comments to status changes or error code.

This segment will not be transmitted within the DAKOSY OK-message.

**Example:**

FTX+AAO+++X:X:X:X'

Counter	No	Tag	St	MaxOcc	Level	Name
0220	11	<b>UNT</b>	M	1	0	Message trailer

Standard			Implementation	
Tag	Name	St Format	St Format	Usage / Remark
UNT				
0074	Number of segments in the message	M n..6	M n..6	Number of sent segments, incl. UNH-UNT.
0062	Message reference number	M an..14	M an..14	Message reference number from UNH/0062. Comparison of numbers when receiving the message with the UNH entry.

**Remark:**  
Used to end the message and to check it's completeness.

**Example:**  
UNT+X+X'

Counter	No	Tag	St	MaxOcc	Level	Name
0000	12	<b>UNZ</b>	M	1	0	Interchange trailer

Standard			Implementation	
Tag	Name	St Format	St Format	Usage / Remark
UNZ				
0036	Interchange control count	M n..6	M n..6	Number of sent segments.
0020	Interchange control reference	M an..14	M an..14	Message reference no. from UNB/0020

**Remark:**  
Used to end a transmission file.

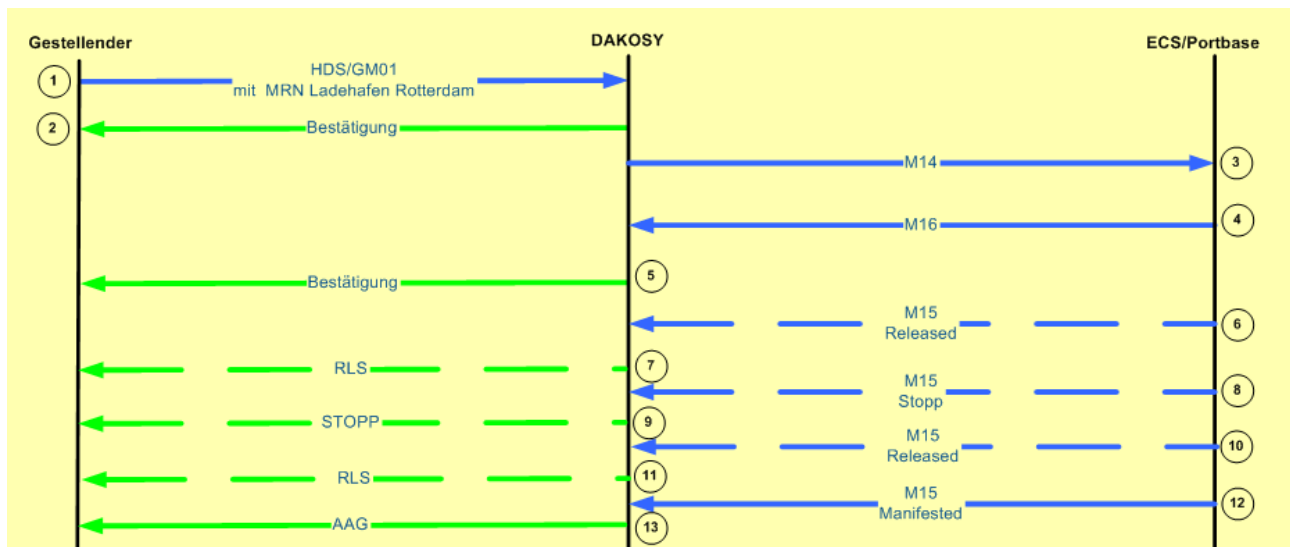
**Example:**  
UNZ+X+X'

## 6 Process description for the communication with Portbase for ECS Netherlands

Generally applies:

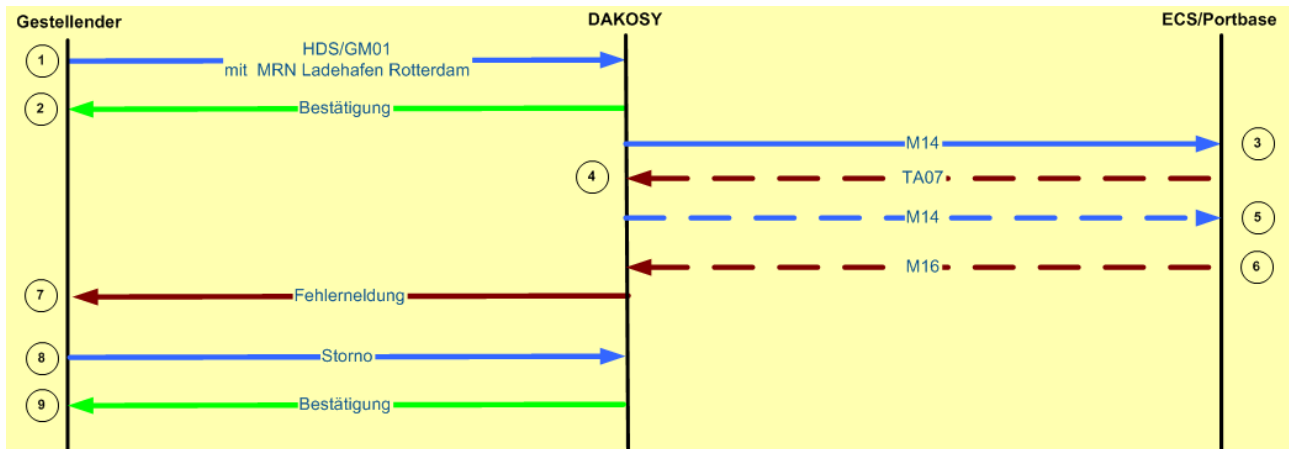
- After an error at DAKOSY the data record must be transmitted as original again.
- All confirmations refer to the forwarder's reference.
- After a data cancellation the forwarder's reference must not be used again.
- After an error –assigned by the Dutch customs systems ECS (APERAK BGM RP) - the HDS has to be cancelled, the cancellation will only be confirmed by DAKOSY (reference confirmation record), while a cancellation without prior error from Portbase will be confirmed by DAKOSY as well as Portbase (reference confirmation record and APERAK BGM = AP).

### 6.1 Process procedure error-free data sequence at DAKOSY and ECS / Portbase



- 1 Data entry DY01
- 2 Confirmation (reference confirmation record and APERAK BGM = CA))
- 3 Data transmission to the Dutch ECS system
- 4 Confirmation of data entry by the Dutch ECS system
- 5 Transmission of the confirmation to the presenter (APERAK BGM = AP)
- 6 After 5 minutes – if no means of control are ordered – a released message is being reported by the Dutch ECS system
- 7 Transmission of the released message to the presenter (APERAK ERC = RLS)
- 8 Means of control may be ordered both after and instead of the first release
- 9 The order means of control is transmitted to the presenter (APERAK ERC = STO).
- 10 Release to export by the Dutch ECS system
- 11 Transmission of the release to the presenter (APERAK ERC = RLS)
- 12 Confirmation of export by the Dutch ECS system
- 13 Transmission of export confirmation to the presenter (APERAK ERC = AAG)

## 6.2 Process procedure after ECS / Portbase error message



- 1 Data entry GM01
- 2 Confirmation (reference confirmation record)
- 3 Data transmission to the Dutch ECS system
- 4 Technical error message by the Dutch ECS system
- 5 Corrections and new transmission from DAKOSY if necessary
- 6 Professional error message by the Dutch ECS system
- 7 Transmission of error message to the presentor (APERAK BGM = RP)
- 8 Cancellation of the HDS at DAKOSY
- 9 Confirmation of the cancellation (APERAK BGM = CA), no confirmation on part of the Dutch ECS system