

Error and Response Message (EDIFACT APERAK)

Message Implementation Guide
Version 1.0.6

(Valid from 21 January 2026)

DAKOSY
Datenkommunikationssystem AG

Mattentwiete 2
20457 Hamburg
www.dakosy.de

Phone: + 49 40 37003 0
info@dakosy.de

Change history

Version	Chapter/ Section	Reason	Name	Date
1.0.0	All	Initial version	Malzahn	07.06.2023
1.0.1	3	Added example messages	Malzahn	16.06.2023
1.0.2	4	Added examples	Malzahn	20.06.2023
1.0.3	2/3	Error codes	Kunze	21.11.2023
1.0.4	Examples	RFF+ABO for LRN added to all APERAK examples.	Kunze	21.0.3.2024
1.0.5	Structure/Examples	RFF+ACW added for reference number to previous message (UNH message reference number)	Kunze	15.05.2024
1.0.6	Error Codes	Explanation about error codes of STI and DAKOSY.	Kunze	21.01.2026

Change requests

DAKOSY

Datenkommunikationssystem AG

Mattentwiete 2

20457 Hamburg

1. Phone: + 49 40 37003 - 0

2. Email: info@dakosy.de

Used tools

Number	Used tools
W1	This document has been created using <i>Microsoft Word 2016</i> .

Liability

1. Please note that no liability claims can be derived towards DAKOSY AG for the content of this manual, despite careful development and examination of this document!

Table of contents

1	Introduction	4
2	Error Codes	4
3	Examples	5
4	Segment structure	7

1 Introduction

This document describes the EDIFACT APERAK message as it is used within the DAKOSY ICS 2 system. Within DAKOSY ICS 2, the APERAK mainly serves two purposes:

- a) Inform a message sender about the processing of it's message (whether it was accepted or rejected at the IT Provider – e.g. DAKOSY - and, if rejected, for which reason)
- b) rejection at customs, specifically
 - a. IE3N01 Lifecycle validation error
 - b. IE3N07 ENS in invalid state
 - c. IE3N99 Error

Any further information will be sent via IFTSTA, this includes acceptance of ENS applications containing the MRN.

To differentiate between the different kinds of acceptance and error message, you will have to take a look at BGM.1000. Here you will find the type of message.

2 Error Codes

The specific error code will be provided in SG4.ERC.

STI error codes will be provided in FTX+AAO. A list of STI error codes can be found in CIRCABC Code list Excel document. Error codes are in code list/tab "CL723".

Below a list of DAKOSY error codes, but please note that additional error codes can be added every time by STI and DAKOSY.

Code	Description
0000	stands for OK response/acceptance message
0001	stands for a technical error responses: for example for missing elements, wrong codes or too long values
1001	Dataset indicator missing in the message (only if no SpecificCircumstanceIndicator was specified).
1002	LRN missing in the message (mandatory for original).
1003	LRN duplicate / already used for another application.
1004	MessageFunction (original or update) is missing in the message.
1005	MRN is missing in the message (mandatory for updates or cancellations).
1006	Cancellation or update is not permitted.
1007	ENS must be an original (no MRN specified).
1008	ProcessPhase is missing in the message (mandatory if no SpecificCircumstanceIndicator was specified).
1009	At least two countries must be specified in CountriesOfRouting.
1010	The MRN has the wrong format.
1011	The ENS process is in PENDING state and does not allow updates.
1012	This SpecificCircumstanceIndicator is currently not supported.
1013	MRN is not allowed for Original.
1014	No process was found for the MRN.
1015	The LRN has already been used and has not yet been answered (for arrival messages).

1016	Only one house consignment is permitted here.
1017	There is a message with a more recent IssueDate.
1018	There are no relevant changes in the ENS and it is therefore rejected.
1019	A technical reference must be specified in the Consulation.
1020	An indicator must be specified in the consultation.
1021	A mandatory field is missing in the consultation.
1022	The functional reference of the consultation has already been used once.
1023	The EORI is not correct - either the format is incorrect or the country is unknown.
1024	Passive Border Transport Means is missing in F50.
2000	An error occurred while generating the message for the STI (XSD validation).
3000	The EDIFACT message cannot be processed.
4000	The DAKXML message is not valid (XSD validation).

3 Examples

DAKOSY Accepted

```

UNA:+.? '
UNB+UNOC:3+DAK+CARR+230527:1057+22+++++1'
UNH+1+APERAK:D:00B:UN:APP10'
BGM+294:::OK+1324040+9+AP'
DTM+137:202305270942:203'
DOC+TDM+DOC1234567:N705'
RFF+FR:U331324567890'
RFF+ABO:LRN123456'
RFF+ACW:15007949'
ERC+0000'
FTX+AAO+++MESSAGE ACCEPTED'
UNT+9+1'
UNZ+1+22'

```

DAKOSY rejected

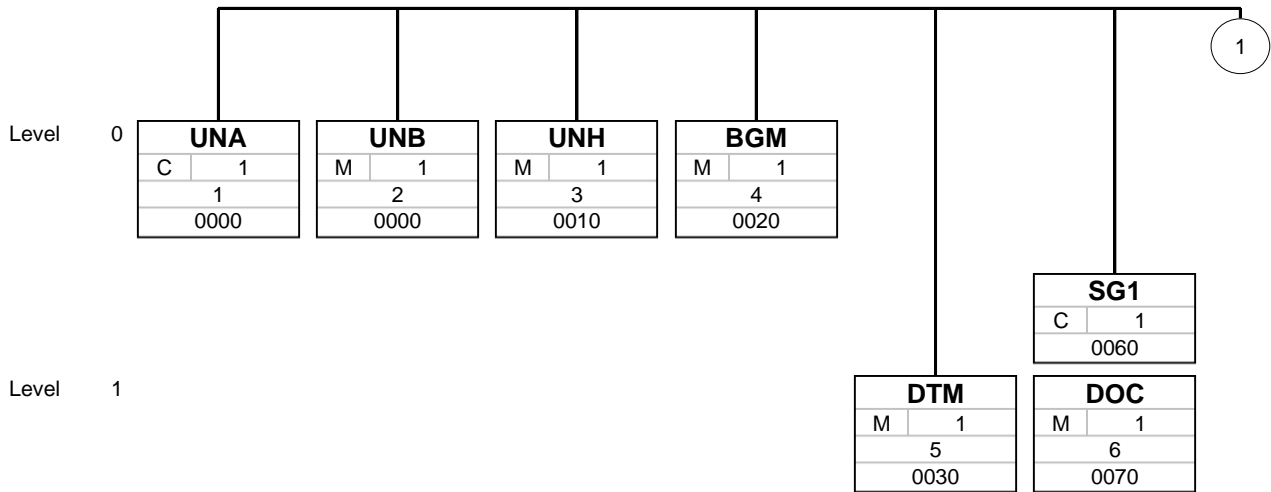
UNA:+.? '
UNB+UNOC:3+DAK+CARR+230527:1057+22++++++1'
UNH+1+APERAK:D:00B:UN:APP10'
BGM+294:::ERR+1324040+9+RE'
DTM+137:202305270942:203'
DOC+TDM+DOC1234567:N705'
RFF+FR:U331324567890'
RFF+ABO:LRN123456'
RFF+ACW:15007949'
ERC+0001'
FTX+AAO+++MISSING GROSS WEIGHT:CNT?+7'
UNT+9+1'
UNZ+1+22'

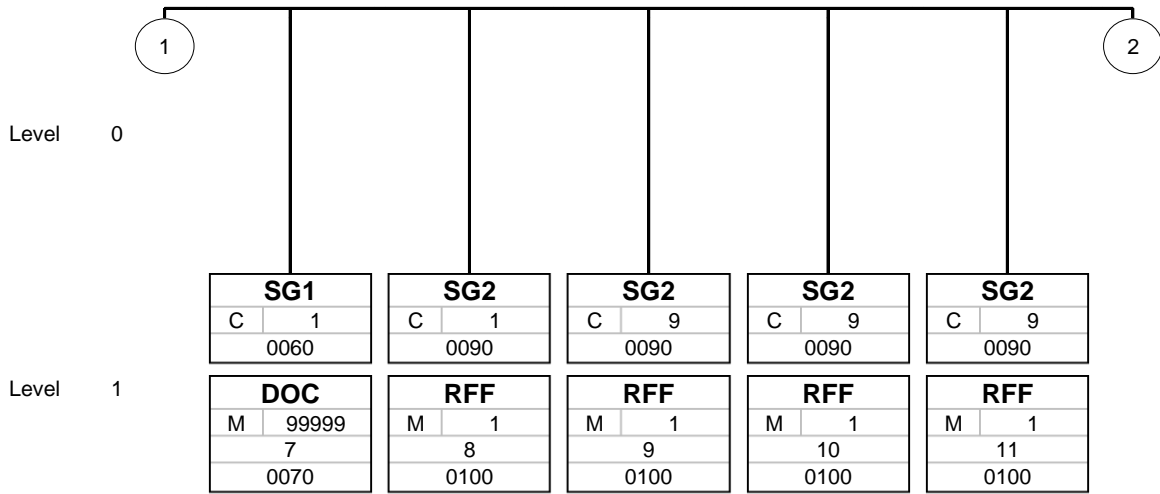
STI rejected (i.e. IE3N99)

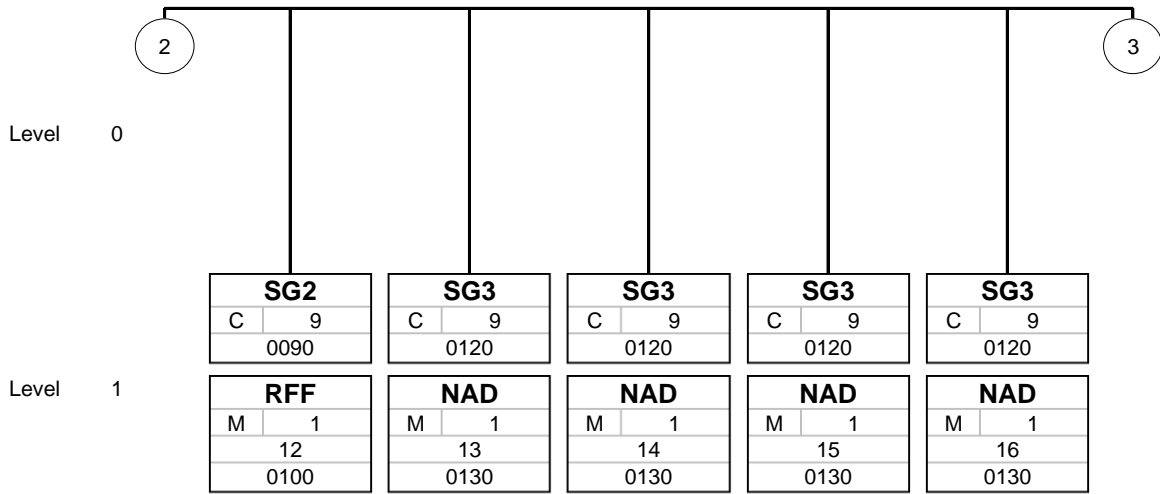
UNA:+.? '
UNB+UNOC:3+DAK+CARR+230527:1057+22++++++1'
UNH+1+APERAK:D:00B:UN:APP10'
BGM+294:::IE3N99:+1324040+9+RE'
DTM+137:202305270942:203'
DOC+TDH+DOC1234567:N703'
RFF+FR:U331324567890'
RFF+ABO:LRN123456'
RFF+ACW:15007949'
NAD+DT+DE1234567'
ERC+0001'
FTX+AAO+++ validationCode=12; IF ?'CONSIGNMENT (HOUSE LEVEL)/CONSIGNOR/Type of person?' and ?'CONSIGNMENT (HOUSE LEVEL)/CONSIGNEE/Type of person?' is ?'1 (Natural person)?', THEN attribute is O, ELSE it is
M.:IE3F29/consignmentMasterLevel/consignmentHouseLevel/goodsItem[0]/commodity/commodityCode'
UNT+9+1'
UNZ+1+22'

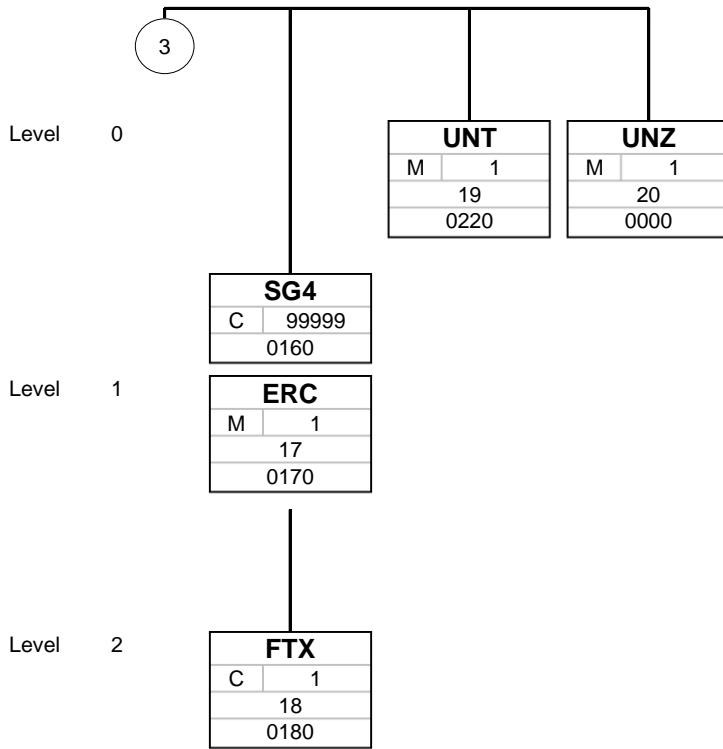
4 Segment structure

Counte	No	Tag	St	MaxOcc	Level	Content	
	0000	1	UNA	C	1	0	Service string advice
	0000	2	UNB	M	1	0	Interchange header
	0010	3	UNH	M	1	0	Message header
	0020	4	BGM	M	1	0	Message Type and information about Acceptance/Rejection
	0030	5	DTM	M	1	1	Notification Date
□	0060		SG1	C	1	1	DOC
□	0070	6	DOC	M	1	1	Document/message details
□	0060		SG1	C	1	1	DOC
□	0070	7	DOC	M	99999	1	Document/message details
□	0090		SG2	C	1	1	RFF
□	0100	8	RFF	M	1	1	Functional reference
□	0090		SG2	C	9	1	RFF
□	0100	9	RFF	M	1	1	Local Reference Number
□	0090		SG2	C	9	1	RFF
□	0100	10	RFF	M	1	1	MRN
□	0090		SG2	C	9	1	RFF
□	0100	11	RFF	M	1	1	Addressed member state
□	0090		SG2	C	9	1	RFF
□	0100	12	RFF	M	1	1	Reference number to previous message
□	0120		SG3	C	9	1	NAD
□	0130	13	NAD	M	1	1	Representative
□	0120		SG3	C	9	1	NAD
□	0130	14	NAD	M	1	1	Name and address
□	0120		SG3	C	9	1	NAD
□	0130	15	NAD	M	1	1	Notify party
□	0120		SG3	C	9	1	NAD
□	0130	16	NAD	M	1	1	Message Sender
□	0160		SG4	C	99999	1	ERC-FTX
□	0170	17	ERC	M	1	1	Application error information
□	0180	18	FTX	C	1	2	Error Message
	0220	19	UNT	M	1	0	Message trailer
	0000	20	UNZ	M	1	0	Interchange trailer









Counter	No	Tag	St	MaxOcc	Level	Name
0000	2	UNB (1)	M	1	0	Interchange header

Standard			Implementation	
Tag	Name	St Format	St Format	Usage / Remark
UNB				
S001	Syntax identifier	M	M	
0001	Syntax identifier	M a4	M a4	
0002	Syntax version number	M n1	M n1	
S002	Interchange sender	M	M	
0004	Sender identification	M an..35	M an..35	
0007	Partner identification code qualifier	C an..4	N	Not used
0008	Address for reverse routing	C an..14	N	Not used
S003	Interchange recipient	M	M	
0010	Recipient identification	M an..35	M an..35	
0007	Partner identification code qualifier	C an..4	N	Not used
0014	Routing address	C an..14	N	Not used
S004	Date/time of preparation	M	M	
0017	Date of preparation	M n6	M n6	
0019	Time of preparation	M n4	M n4	
0020	Interchange control reference	M an..14	M an..14	Description: A unique reference number identifying this EDIFACT interchange.
S005	Recipient's reference, password	C	N	
0022	Recipient's reference/password	M an..14	M an..14	
0025	Recipient's reference/password qualifier	C an2	N	Not used
0026	Application reference	C an..14	N	Not used
0029	Processing priority code	C a1	N	Not used
0031	Acknowledgement request	C n1	N	Not used
0032	Communications agreement ID	C an..35	N	Not used
0035	Test indicator	C n1	C n1	Description: Test indicator. If this field is submitted and has a value '1', the message will be treated as a test message.

Example:

UNB+UNOC:3+DAK+CARR+100128:1057+22+++++1'

Counter	No	Tag	St	MaxOcc	Level	Name
0010	3	UNH (1)	M	1	0	Message header

Standard			Implementation	
Tag	Name	St Format	St Format	Usage / Remark
UNH				
0062	Message reference number	M an..14	M an..14	Description: Unique technical reference identifying this EDIFACT message
S009	Message identifier	M	M	
0065	Message type	M an..6	M an..6	
0052	Message version number	M an..3	M an..3	
0054	Message release number	M an..3	M an..3	
0051	Controlling agency	M an..2	M an..2	
0057	Association assigned code	C an..6	C an..6	
0068	Common access reference	C an..35	N	Not used
S010	Status of the transfer	C	N	
0070	Sequence of transfers	M n..2	N	Not used
0073	First and last transfer	C a1	N	Not used

Example:

UNH+1+APERAK:D:00B:UN:APP10'

Counter	No	Tag	St	MaxOcc	Level	Name
0020	4	BGM (1)	M	1	0	Message Type and information about Acceptance/ Rejection

Standard			Implementation	
Tag	Name	St Format	St Format	Usage / Remark
BGM				
C002	Document/message name	C	M	
1001	Document name code	C an..3	M an..3	294 Application acknowledgement and error report
1131	Code list identification code	C an..17	N	Not used
3055	Code list responsible agency code	C an..3	N	Not used
1000	Document name	C an..35	C an..35	Description: Used to specify the exact type of response. OK Accepted by DAKOSY ERR Rejected by DAKOSY IE3N01 Lifecycle Validation Error by STI system IE3N07 ENS in invalid state by STI system IE3N99 Error by STI system
C106	Document/message identification	C	M	
1004	Document identifier	C an..35	M an..35	Description: ID of the APERAK, assigned by the message sender
1056	Version identifier	C an..9	N	Not used
1060	Revision identifier	C an..6	N	Not used
1225	Message function code	C an..3	C an..3	9 Original
4343	Response type code	C an..3	C an..3	AP Accepted RE Rejected

Example:

BGM+294:::ERR+1324040+9+RE'

Counter	No	Tag	St	MaxOcc	Level	Name
0030	5	DTM (1)	M	1	1	Notification Date

Standard			Implementation	
Tag	Name	St Format	St Format	Usage / Remark
DTM				
C507	Date/time/period	M	M	
2005	Date or time or period function code qualifier	M an..3	M an..3	137 Document/message date/time <i>Description:</i> Notification date
2380	Date or time or period value	C an..35	C an..35	<i>Description:</i> Date of message creation
2379	Date or time or period format code	C an..3	C an..3	203 CCYYMMDDHHMM

Example:

DTM+137:202305270942:203'

Counter	No	Tag	St	MaxOcc	Level	Name
0060		SG1 (1)	C	1	1	DOC
0070	6	DOC (1)	M	1	1	Document/message details

Standard			Implementation	
Tag	Name	St Format	St Format	Usage / Remark
DOC				
C002	Document/message name	M	M	
1001	Document name code	C an..3	M an..3	TDM Transport document master
1131	Code list identification code	C an..17	N	Not used
3055	Code list responsible agency code	C an..3	N	Not used
1000	Document name	C an..35	N	Not used
C503	Document/message details	C	M	
1004	Document identifier	C an..35	M an..70	Description: Reference number
1373	Document status code	C an..3	M an4	
1366	Document source description	C an..70	N	Not used
3453	Language name code	C an..3	N	Not used
1056	Version identifier	C an..9	N	Not used
1060	Revision identifier	C an..6	N	Not used
3153	Communication medium type code	C an..3	N	Not used
1220	Document copies required quantity	C n..2	N	Not used
1218	Document originals required quantity	C n..2	N	Not used

Example:

DOC+TDM+DOC1234567:N705'

Counter	No	Tag	St	MaxOcc	Level	Name
0060		SG1 (2)	C	1	1	DOC
0070	7	DOC (1)	M	99999	1	Document/message details

Standard			Implementation	
Tag	Name	St Format	St Format	Usage / Remark
DOC				
C002	Document/message name	M	M	
1001	Document name code	C an..3	M an..3	TDH Transport document house
1131	Code list identification code	C an..17	N	Not used
3055	Code list responsible agency code	C an..3	N	Not used
1000	Document name	C an..35	N	Not used
C503	Document/message details	C	M	
1004	Document identifier	C an..35	M an..70	Description: Reference number
1373	Document status code	C an..3	M an4	
1366	Document source description	C an..70	N	Not used
3453	Language name code	C an..3	N	Not used
1056	Version identifier	C an..9	N	Not used
1060	Revision identifier	C an..6	N	Not used
3153	Communication medium type code	C an..3	N	Not used
1220	Document copies required quantity	C n..2	N	Not used
1218	Document originals required quantity	C n..2	N	Not used

Example:

DOC+TDH+DOC987654:N703'

Counter	No	Tag	St	MaxOcc	Level	Name
0090		SG2 (1)	C	1	1	RFF
0100	8	RFF (1)	M	1	1	Functional reference

Standard			Implementation	
Tag	Name	St Format	St Format	Usage / Remark
RFF				
C506	Reference	M	M	
1153	Reference code qualifier	M an..3	M an..3	FR Functional reference
1154	Reference identifier	C an..70	M an..35	Description: Functional reference. Unique reference for message exchange with STI system.
1156	Document line identifier	C an..6	N	Not used
4000	Reference version identifier	C an..35	N	Not used
1060	Revision identifier	C an..6	N	Not used

Example:

RFF+FR:U1324567890'

Counter	No	Tag	St	MaxOcc	Level	Name
0090		SG2 (2)	C	9	1	RFF
0100	9	RFF (1)	M	1	1	Local Reference Number

Standard			Implementation	
Tag	Name	St Format	St Format	Usage / Remark
RFF				
C506	Reference	M	M	
1153	Reference code qualifier	M an..3	M an..3	ABO Originator's reference <i>Description:</i> customers LRN (BGM segment of preceding IFTMCS)
1154	Reference identifier	C an..70	R an..22	<i>Description:</i> Contains the LRN of the process to which this APERAK belongs. We add it to all APERAK messages.
1156	Document line identifier	C an..6	N	Not used
4000	Reference version identifier	C an..35	N	Not used
1060	Revision identifier	C an..6	N	Not used

Example:

RFF+ABO:124054059634550'

Counter	No	Tag	St	MaxOcc	Level	Name
0090		SG2 (3)	C	9	1	RFF
0100	10	RFF (1)	M	1	1	MRN

Standard			Implementation	
Tag	Name	St Format	St Format	Usage / Remark
RFF				
C506	Reference	M	M	
1153	Reference code qualifier	M an..3	M an..3	MRN MRN
1154	Reference identifier	C an..70	R an18	Description: MRN
1156	Document line identifier	C an..6	N	Not used
4000	Reference version identifier	C an..35	N	Not used
1060	Revision identifier	C an..6	N	Not used

Example:

RFF+MRN:124054059634550'

Counter	No	Tag	St	MaxOcc	Level	Name
0090		SG2 (4)	C	9	1	RFF
0100	11	RFF (1)	M	1	1	Addressed member state

Standard			Implementation	
Tag	Name	St Format	St Format	Usage / Remark
RFF				
C506	Reference	M	M	
1153	Reference code qualifier	M an..3	M an..3	AMS Addressed member state
1154	Reference identifier	C an..70	R a2	Description: Addressed member state
1156	Document line identifier	C an..6	N	Not used
4000	Reference version identifier	C an..35	N	Not used
1060	Revision identifier	C an..6	N	Not used

Example:

RFF+AMS:DE'

Counter	No	Tag	St	MaxOcc	Level	Name
0090		SG2 (5)	C	9	1	RFF
0100	12	RFF (1)	M	1	1	Reference number to previous message

Standard			Implementation	
Tag	Name	St Format	St Format	Usage / Remark
RFF				
C506	Reference	M	M	
1153	Reference code qualifier	M an..3	M an..3	ACW Reference number to previous message
1154	Reference identifier	C an..70	R an..14	Description: Reference number to previous message (UNH message reference number)
1156	Document line identifier	C an..6	N	Not used
4000	Reference version identifier	C an..35	N	Not used
1060	Revision identifier	C an..6	N	Not used

Example:

RFF+ACW:25052024'

Counter	No	Tag	St	MaxOcc	Level	Name
0120		SG3 (1)	C	9	1	NAD
0130	13	NAD (1)	M	1	1	Representative

Standard			Implementation	
Tag	Name	St Format	St Format	Usage / Remark
NAD				
3035	Party function code qualifier	M an..3	M an..3	AG Agent/representative
C082	Party identification details	C	M	
3039	Party identifier	M an..35	M an..17	Description: Identification number
1131	Code list identification code	C an..17	N	Not used
3055	Code list responsible agency code	C an..3	N	Not used
C058	Name and address	C	N	
3124	Name and address description	M an..35	N	Not used
3124	Name and address description	C an..35	N	Not used
3124	Name and address description	C an..35	N	Not used
3124	Name and address description	C an..35	N	Not used
3124	Name and address description	C an..35	N	Not used
C080	Party name	C	N	
3036	Party name	M an..35	N	Not used
3036	Party name	C an..35	N	Not used
3036	Party name	C an..35	N	Not used
3036	Party name	C an..35	N	Not used
3036	Party name	C an..35	N	Not used
3045	Party name format code	C an..3	N	Not used
C059	Street	C	N	
3042	Street and number or post office box identifier	M an..35	N	Not used
3042	Street and number or post office box identifier	C an..35	N	Not used
3042	Street and number or post office box identifier	C an..35	N	Not used
3042	Street and number or post office box identifier	C an..35	N	Not used
3164	City name	C an..35	N	Not used
C819	Country sub-entity details	C	N	
3229	Country sub-entity name code	C an..9	N	Not used
1131	Code list identification code	C an..17	N	Not used
3055	Code list responsible agency code	C an..3	N	Not used
3228	Country sub-entity name	C an..35	N	Not used
3251	Postal identification code	C an..17	N	Not used
3207	Country name code	C an..3	N	Not used

Example:

NAD+AG+DE1234567'

Counter	No	Tag	St	MaxOcc	Level	Name
0120		SG3 (2)	C	9	1	NAD
0130	14	NAD (1)	M	1	1	Name and address

Standard			Implementation	
Tag	Name	St Format	St Format	Usage / Remark
NAD				
3035	Party function code qualifier	M an..3	M an..3	DT Declarant
C082	Party identification details	C	M	
3039	Party identifier	M an..35	M an..17	Description: Identification number
1131	Code list identification code	C an..17	N	Not used
3055	Code list responsible agency code	C an..3	N	Not used
C058	Name and address	C	N	
3124	Name and address description	M an..35	N	Not used
3124	Name and address description	C an..35	N	Not used
3124	Name and address description	C an..35	N	Not used
3124	Name and address description	C an..35	N	Not used
3124	Name and address description	C an..35	N	Not used
C080	Party name	C	N	
3036	Party name	M an..35	N	Not used
3036	Party name	C an..35	N	Not used
3036	Party name	C an..35	N	Not used
3036	Party name	C an..35	N	Not used
3036	Party name	C an..35	N	Not used
3045	Party name format code	C an..3	N	Not used
C059	Street	C	N	
3042	Street and number or post office box identifier	M an..35	N	Not used
3042	Street and number or post office box identifier	C an..35	N	Not used
3042	Street and number or post office box identifier	C an..35	N	Not used
3042	Street and number or post office box identifier	C an..35	N	Not used
3164	City name	C an..35	N	Not used
C819	Country sub-entity details	C	N	
3229	Country sub-entity name code	C an..9	N	Not used
1131	Code list identification code	C an..17	N	Not used
3055	Code list responsible agency code	C an..3	N	Not used
3228	Country sub-entity name	C an..35	N	Not used
3251	Postal identification code	C an..17	N	Not used
3207	Country name code	C an..3	N	Not used

Example:

NAD+DT+DE1234567'

Counter	No	Tag	St	MaxOcc	Level	Name
0120		SG3 (3)	C	9	1	NAD
0130	15	NAD (1)	M	1	1	Notify party

Standard			Implementation	
Tag	Name	St Format	St Format	Usage / Remark
NAD				
3035	Party function code qualifier	M an..3	M an..3	N1 Notify party no. 1
C082	Party identification details	C	M	
3039	Party identifier	M an..35	M an..17	Description: Identification number
1131	Code list identification code	C an..17	N	Not used
3055	Code list responsible agency code	C an..3	N	Not used
C058	Name and address	C	N	
3124	Name and address description	M an..35	N	Not used
3124	Name and address description	C an..35	N	Not used
3124	Name and address description	C an..35	N	Not used
3124	Name and address description	C an..35	N	Not used
3124	Name and address description	C an..35	N	Not used
C080	Party name	C	N	
3036	Party name	M an..35	N	Not used
3036	Party name	C an..35	N	Not used
3036	Party name	C an..35	N	Not used
3036	Party name	C an..35	N	Not used
3036	Party name	C an..35	N	Not used
3045	Party name format code	C an..3	N	Not used
C059	Street	C	N	
3042	Street and number or post office box identifier	M an..35	N	Not used
3042	Street and number or post office box identifier	C an..35	N	Not used
3042	Street and number or post office box identifier	C an..35	N	Not used
3042	Street and number or post office box identifier	C an..35	N	Not used
3164	City name	C an..35	N	Not used
C819	Country sub-entity details	C	N	
3229	Country sub-entity name code	C an..9	N	Not used
1131	Code list identification code	C an..17	N	Not used
3055	Code list responsible agency code	C an..3	N	Not used
3228	Country sub-entity name	C an..35	N	Not used
3251	Postal identification code	C an..17	N	Not used
3207	Country name code	C an..3	N	Not used

Example:

NAD+N1+DE1234567'

Counter	No	Tag	St	MaxOcc	Level	Name
0120		SG3 (4)	C	9	1	NAD
0130	16	NAD (1)	M	1	1	Message Sender

Standard			Implementation	
Tag	Name	St Format	St Format	Usage / Remark
NAD				
3035	Party function code qualifier	M an..3	M an..3	PNA Person notifying the arrival
C082	Party identification details	C	M	
3039	Party identifier	M an..35	M an..17	Description: Identification number
1131	Code list identification code	C an..17	N	Not used
3055	Code list responsible agency code	C an..3	N	Not used
C058	Name and address	C	N	
3124	Name and address description	M an..35	N	Not used
3124	Name and address description	C an..35	N	Not used
3124	Name and address description	C an..35	N	Not used
3124	Name and address description	C an..35	N	Not used
3124	Name and address description	C an..35	N	Not used
C080	Party name	C	N	
3036	Party name	M an..35	N	Not used
3036	Party name	C an..35	N	Not used
3036	Party name	C an..35	N	Not used
3036	Party name	C an..35	N	Not used
3036	Party name	C an..35	N	Not used
3045	Party name format code	C an..3	N	Not used
C059	Street	C	N	
3042	Street and number or post office box identifier	M an..35	N	Not used
3042	Street and number or post office box identifier	C an..35	N	Not used
3042	Street and number or post office box identifier	C an..35	N	Not used
3042	Street and number or post office box identifier	C an..35	N	Not used
3164	City name	C an..35	N	Not used
C819	Country sub-entity details	C	N	
3229	Country sub-entity name code	C an..9	N	Not used
1131	Code list identification code	C an..17	N	Not used
3055	Code list responsible agency code	C an..3	N	Not used
3228	Country sub-entity name	C an..35	N	Not used
3251	Postal identification code	C an..17	N	Not used
3207	Country name code	C an..3	N	Not used

Example:

NAD+PNA+DE1234567 '

NAD+MS+DAKOSY '

Counter	No	Tag	St	MaxOcc	Level	Name
0160		SG4 (1)	C	99999	1	ERC-FTX
0170	17	ERC (1)	M	1	1	Application error information

Standard			Implementation	
Tag	Name	St Format	St Format	Usage / Remark
ERC				
C901	Application error detail	M	M	
9321	Application error code	M an..8	M an..8	Description: Validation code
1131	Code list identification code	C an..17	N	Not used
3055	Code list responsible agency code	C an..3	N	Not used

Example:

ERC+0001'

ERC+0000'

Counter	No	Tag	St	MaxOcc	Level	Name
0160		SG4 (1)	C	99999	1	ERC-FTX
0180	18	FTX (1)	C	1	2	Error Message

This segment contains the error description and error pointer (FTX+AAO)

		Standard	Implementation	
Tag	Name	St Format	St Format	Usage / Remark
FTX				
4451	Text subject code qualifier	M an..3	M an..3	AAO Error description (free text)
4453	Free text function code	C an..3	N	Not used
C107	Text reference	C	N	
4441	Free text value code	M an..17	N	Not used
1131	Code list identification code	C an..17	N	Not used
3055	Code list responsible agency code	C an..3	N	Not used
C108	Text literal	C	C	
4440	Free text value	M an..512	M an..512	Description: Description
4440	Free text value	C an..512	C an..512	Description: Message element path
4440	Free text value	C an..512	C an..512	Description: Technical error message 1
4440	Free text value	C an..512	C an..512	Description: Technical error message 2
4440	Free text value	C an..512	N	Not used
3453	Language name code	C an..3	N	Not used
4447	Free text format code	C an..3	N	Not used

Example:

FTX+AAO+++Description:Message element path:X'

Counter	No	Tag	St	MaxOcc	Level	Name
0220	19	UNT (1)	M	1	0	Message trailer

Standard			Implementation	
Tag	Name	St Format	St Format	Usage / Remark
UNT				
0074	Number of segments in the message	M n..6	M n..6	
0062	Message reference number	M an..14	M an..14	

Example:
 UNT+22+1'

Counter	No	Tag	St	MaxOcc	Level	Name
0000	20	UNZ (1)	M	1	0	Interchange trailer

Standard			Implementation	
Tag	Name	St Format	St Format	Usage / Remark
UNZ				
0036	Interchange control count	M n..6	M n..6	
0020	Interchange control reference	M an..14	M an..14	

Example:

UNZ+1+22'

UNZ+1+22'