

# IFTMCS

Message Implementation Guide

Version 1.1.30

(Valid from 24 January 2025)

**DAKOSY**  
Datenkommunikationssystem AG

Mattentwiete 2  
20457 Hamburg  
[www.dakosy.de](http://www.dakosy.de)

Phone: + 49 40 37003 0  
Fax: + 49 40 37003 370  
[info@dakosy.de](mailto:info@dakosy.de)

## Change history

Version	Chapter/ Section	Reason	Name	Date
1.0.0	All	Initial Version	Malzahn	20.03.23
...	...	...	...	...
1.1.13	Structure	Description for Split Consignment Indicator, ETA, ETD, ATD and EQD-full/empty indicator enhanced	Kunze	15.01.2024
1.1.14	Examples	RFF:SCI Split consignment Indicator is for master level only. RFF:SCI removed from house level parts in F11 example message.	Kunze	30.01.2024
1.1.15	Examples	ETD added to example messages: DTM+133	Kunze	21.02.2024
1.1.16	Examples	Comment about F16 and F17 corrected. Consignee does not exist in F16 and F17.	Kunze	13.03.2024
1.1.17	Introduction/Examples	New Graphic for ICS2 message types examples: blank instead of "X" and wrong value "0" for type of person removed. EQD: rules added which sub element is mandatory.	Kunze	18.04.2024
1.1.18	Structure	Example elements: X removed in blank fields	Kunze	07.05.2024
1.1.19	Introduction	Rules regarding amendments added Example messages: in SGP segment: unused package quantity removed	Kunze	19.06.2024
1.1.20	Examples	Minimal Cancellation: LOC+41 added (COFE)	Kunze	20.07.2024
1.1.21	Structure Introduction	SG3-supplementary declarant: now, up to 99 repetitions are allowed for F14 and F15.  Mentioned, that all dates and times must be in UTC!  Explanations about the use of supplementary declarant.  Duplicate transport refernce (BL number) check explained.	Kunze	13.09.2024
1.1.22	Examples	IFTMCS supports now F45. Example for F45 added.	Kunze	27.09.2024
1.1.23	Introduction	EU explanation link about multiple filing added and a new possibility how to add the supplementary declarant for F15.	Kunze	01.10.2024
1.1.24 1.1.25	Structure Example	TDT 8028: Voyage number was not in use but it's optional now for grouping usage. Example for F14 uses now supplementary declarant type „2“ (sub-house-level-filing).	Kunze	18.10.2024
1.1.26	Introduction and segement description	Emphasised that EORI is mandatory for consignee in EU, if company has an EORI.	Kunze	01.11.2024
1.1.27	Structure	SG18 (GID-PIA-FTX...) max Occ/Rep increased to 9999	Kunze	20.11.2024
1.1.28	Examples Structure	Link for „Common Operational Guidance“ added!  Example messages: N714 instead of N703 for House BL transport document type  Receptacle for F45: SG3-RFF+REC now with up to 999 max occurencies	Kunze	28.11.2024

Version	Chapter/ Section	Reason	Name	Date
1.1.29	Structure	SG8-TDT: now it's not mandatory. For F16, F17 and cancellation it's not in use.	Kunze	16.12.2024
1.1.30	Introduction	New chapter „IFTMCS Segments in ICS2 ENS (sea freight)“	Kunze	24.01.2025

## Change requests

### DAKOSY

#### Datenkommunikationssystem AG

Mattentwiete 2

20457 Hamburg

- 1. Phone: + 49 40 37003 - 0
- 2. Fax: + 49 40 37003 370
- 3. Email: info@dakosy.de

## Used tools

Number	Used tools
W1	This document has been created using <i>Microsoft Word 2010</i> .

## Liability

1. Please note that no liability claims can be derived towards DAKOSY AG for the content of this manual, despite careful development and examination of this document!

## Table of contents

<b>Introduction .....</b>	<b>5</b>
<b>Data within the Entry Summary Declaration (ENS).....</b>	<b>6</b>
Differences/Specifics regarding “Original” and Amendment message.....	6
Rules regarding amendments.....	7
Cancellation (Invalidation) .....	10
<b>Business Process.....</b>	<b>11</b>
Use Case “Sending ENS declaration” .....	11
<b>Handling of the IFTMCS message.....</b>	<b>12</b>
Sending manifest data in IFTMCS format .....	12
Conversion of manifest data to ENS declaration .....	12
<b>Differences between ICS 1 and ICS 2 messages .....</b>	<b>13</b>
New parties in ICS2.....	14
New validations.....	15
<b>Official ICS2 documents and Code Lists .....</b>	<b>15</b>
<b>Examples .....</b>	<b>18</b>
ENS-Messages .....	18
Cancellation.....	29
<b>IFTMCS Segments in ICS2 ENS (sea freight).....</b>	<b>31</b>
<b>Segment structure.....</b>	<b>33</b>

## Introduction

This document describes the Edifact Message IFTMCS, which is used within the ZODIAK ICS2 Interface in order to send ENS declarations or amendments to DAKOSY.

DAKOSY would then convert the data into the format required by the shared trader interface (STI) and send it there.

**Note: Further Information regarding the ICS2 process and its specification can be found at the following site:**

[https://taxation-customs.ec.europa.eu/customs-4/customs-security/import-control-system-2-ics2-0/ics2-resources\\_en](https://taxation-customs.ec.europa.eu/customs-4/customs-security/import-control-system-2-ics2-0/ics2-resources_en)

## Data within the Entry Summary Declaration (ENS)

This document describes one of the messages used with ZODIAK ICS2 to send the Entry Summary Declaration or Entry Summary Declaration Amendment to the shared trader interface (STI).

At first, please consider, that all dates and times in an ICS2 IFTMCS must be in UTC time zone. It's for all times as message creation date, ETA, ETD, ATA and ATD.

In general, there are two reasons for an amendment of the original ENS filing:

- An issued Request for additional information (RFI) of type AMD requesting the amendment of an ENS filing's particulars or
- Due to a need for amendment identified by the person filing itself. This case will in particular be relevant when data for a given consignment was originally incorrect or changed after the submission of the original ENS filing.

When the amendment was requested by the customs authorities via an RFI, the referral request reference has to be inserted in the respective amendment message. Else, the amendment will not be recognized as an answer to the original request by ICS2.

For more RFI details please see document "ICS2 Pre-arrival referral guidance" available under:

[https://circabc.europa.eu/ui/group/617eb8f3-5946-4fe5-a01f-42974a83b29c/library/26bd373e-44b7-41bd-9af0-96aec7227f74?p=1&n=10&sort=modified\\_DESC](https://circabc.europa.eu/ui/group/617eb8f3-5946-4fe5-a01f-42974a83b29c/library/26bd373e-44b7-41bd-9af0-96aec7227f74?p=1&n=10&sort=modified_DESC)

There are certain differences between the "original" and the Amendment. These are described in the following sections:

### Differences/Specifics regarding "Original" and Amendment message

- **Update Flag:** When using the IFTMCS message, the element BGM.1225 must have the value "5" ("Update" / "Amendment"). If the value is "9" ("Original"), ZODIAK ICS2 will reject the message, when a MRN has already been issued.
- **Local Reference Number:** The Local Reference Number (LRN) is a reference assigned by the declarant, which should allow the declarant to link a declaration to data in his own IT system. Since Arrival Notices can be done in different ways while the ENS declaration usually will be done on shipment level, the Local Reference Number of the Arrival Notice will be different from the ones of the Entry Summary Declaration. However, changing the Local Reference of an Entry Summary Declaration with an Amendment is not possible. In addition, the LRN has to be unique per customer, i.e. it is not possible to send the same LRN twice, even for different countries / entry ports.
- **MRN:** When sending an ENS Amendment, the message must contain the MRN assigned by customs to the "original" ENS declaration. I.e. it is not possible to update an ENS declaration before it is confirmed by customs.

## Rules regarding amendments

Amendment of an ENS filing lodged via an update replaces the previous version of the ENS filing. This means, that an amendment must always contain the complete data, not only the information that has been changed.

ENS filings of type F25 shall not be amended, as this filing contains the information (Transport document (Master level)) that has to be unique and cannot be amended.

The following is an excerpt from a document posted on the EU web site:

(<https://circabc.europa.eu/ui/group/ea5f882b-9153-4fc1-9394-54ac8fe9149a/library/2397633f-b133-4c31-9134-eae4facf67a9/details>):

Below table summarizes the data elements, which are non-amendable per ENS filing type. But beforehand the most crucial four rules:

1. It's ok to remove a house consignment (house BL). For example in message F11.
2. To add a house consignment (house BL) is not allowed. For example in message F11.
3. To add or remove a Goods Item (GID) is not allowed. For example in messages F10/F13 or F11/F12.
4. To change the BL number or House BL number is not allowed. For example in messages F10/F13 or F11/F12.

<b>The data elements which are not allowed to be amended are the following, per ENS filing type.</b>							
<b>Data element</b>	<b>ENS filing type</b>						
	<b>F1 0</b>	<b>F1 1</b>	<b>F1 2</b>	<b>F1 3</b>	<b>F1 4</b>	<b>F1 5</b>	<b>F1 6</b>
<i>../Specific circumstance indicator</i>	X	X	X	X	X	X	X
<i>../Addressed Member State</i>					X	X	X
<i>../Representative</i>	X	X	X	X	X	X	X
<i>../Representative / Identification number</i>	X	X	X	X	X	X	X
<i>../Active border transport means / Identity</i>	X	X	X	X			
<i>../Active border transport means / Mode of transport</i>	X	X	X	X	X	X	
<i>../ Active border transport means / Conveyance reference number</i>							
<i>../ Consignment (Master level) / Carrier / Identification number</i>	X	X	X	X			
<i>../ Consignment (Master level) / Consignment (House level) / Carrier / Identification number</i>					X	X	X
<i>../ Consignment (Master level) / Goods item / Goods item number</i>		X	X	X			
<i>../ Consignment (Master level) / Consignment (House level) / Goods item / Goods item number</i>	X	X			X	X	
<i>../Consignment (Master level) / Transport document (Master level) / Document number</i>	X	X	X	X	X	X	
<i>../Consignment (Master level) / Consignment (House level) Transport document (Master level) / Document number</i>							X

../Consignment (Master level) / Consignment (House level) / Transport document (House level) / Document number		X			X	X	X
../Declarant / Identification number	X	X	X	X	X	X	X
../Customs office of first entry / Reference number	X	X	X	X			



**The data elements which are not allowed to be amended are the following, per ENS filing type.**

Data element	ENS filing type								
	F2 0	F2 1	F2 2	F2 3	F2 4	F2 6	F2 7	F2 8	F2 9
../Specific circumstance indicator	X	X	X	X	X	X	X	X	X
../Addressed Member State			X	X	X	X			
../Representative	X	X	X	X	X	X	X	X	X
../Representative / Identification number	X	X	X	X	X	X	X	X	X
../Active border transport means / Identity	X	X					X	X	X
../Active border transport means / Mode of transport	X	X	X				X	X	X
../ Active border transport means / Conveyance reference number	X	X					X	X	X
../ Consignment (Master level) / Carrier / Identification number	X	X					X	X	X
../ Consignment (Master level) / Consignment (House level) / Carrier / Identification number			X		X	X			
../ Consignment (Master level) / Goods item / Goods item number	X	X					X		
../ Consignment (Master level) / Consignment (House level) / Goods item / Goods item number	X		X	X		X	X	X	X
../Consignment (Master level) / Transport document (Master level) / Document number	X	X					X	X	X
../Consignment (Master level) / Consignment (House level) Transport document (Master level) / Document number			X		X	X			
../Consignment (Master level) / Consignment (House level) / Transport document (House level) / Document number	X		X	X	X	X	X		
../Declarant / Identification number	X	X	X	X	X	X	X	X	X
../Customs office of first entry / Reference number	X	X					X	X	X

The data elements which are not allowed to be amended are the following, per ENS filing type.

Data element	ENS filing type													
	F3 0	F3 1	F3 2	F3 3	F3 4	F4 0	F4 1	F4 2	F4 3	F4 4	F4 5	F5 0	F5 1	
../Specific circumstance indicator	X	X	X	X	X	X	X	X	X	X	X	X	X	
../Addressed Member State			X	X					X	X				
../Representative	X	X	X	X	X	X	X	X	X	X	X	X	X	
../Representative / Identification number	X	X	X	X	X	X	X	X	X	X	X	X	X	
../Active border transport means / Identity		X			X	X					X	X		
../Active border transport means / Mode of transport	X	X		X	X	X	X	X			X	X	X	
../ Active border transport means / Conveyance reference number	X	X					X	X					X	
../ Consignment (Master level) / Carrier / Identification number	X	X			X	X	X	X			X	X	X	
../ Consignment (Master level) / Consignment (House level) / Carrier / Identification number				X										
../ Consignment (Master level) / Goods item / Goods item number		X												
../ Consignment (Master level) / Consignment (House level) / Goods item / Goods item number	X	X	X	X	X				X			X	X	
../Consignment (Master level) / Transport document (Master level) / Document number		X				X	X	X			X	X	X	
../Consignment (Master level) / Consignment (House level) Transport document (Master level) / Document number				X										
../Consignment (Master level) / Consignment (House level) / Transport document (House level) / Document number	X	X	X	X	X				X			X		
../Declarant / Identification number	X	X	X	X	X	X	X	X	X	X	X	X	X	
../Customs office of first entry / Reference number	X	X			X	X	X	X			X	X	X	

### Cancellation (Invalidation)

To cancel an ENS filing you simply have to send “1” in message function code within the BGM element. Only the MRN will be used to find the correct filing and the rest of the message will be ignored. This means you can send the original filing or an empty filing containing only the MRN, the Declarant and the COFE or the addressed member state and ZODIAK ICS2 will determine the filing by using the data provided.

Cancellation of ENS filings are possible until either:

- The goods covered by the ENS filing to be cancelled have been presented to customs, or
- Where the customs office has already notified a control for the goods covered by the ENS filing to be cancelled.

## Business Process

### Use Case “Sending ENS declaration”

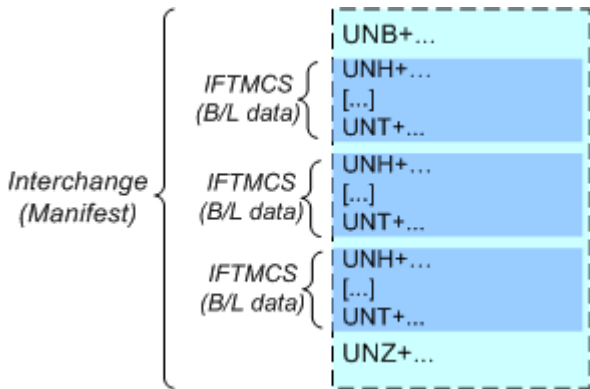
The diagram below describes the use case “Sending an ENS declaration” within the ICS2 business process.

- 1) A responsible party sends ENS data to DAKOSY. The data is sent in XML or IFTMCS format (the detailed IFTMCS format description can be found in Chapter 0. For information about the XML format see the corresponding document)
- 2) DAKOSY applies a number of plausibility checks to the IFTMCS message
- 3) Corresponding to the result of the checks DAKOSY responds with :
  - a) An acknowledgement, if not error have been found
  - b) An error message with the problems found
- 4) In case no errors were found, the data is forwarded to STI using the message specific format IE3Fxx
- 5) STI (and/or the responsible customs agency) then checks the data and any further documents and responds with the corresponding message:
  - a) An error message
  - b) A technical acknowledgement in the form of a MRN registration (R01).
  - c) An assessment complete status (N03).
  - d) A do not load message, if the goods must not be brought into the EU
  - e) A control message, if customs wants to inspect the goods on arrival

## Handling of the IFTMCS message

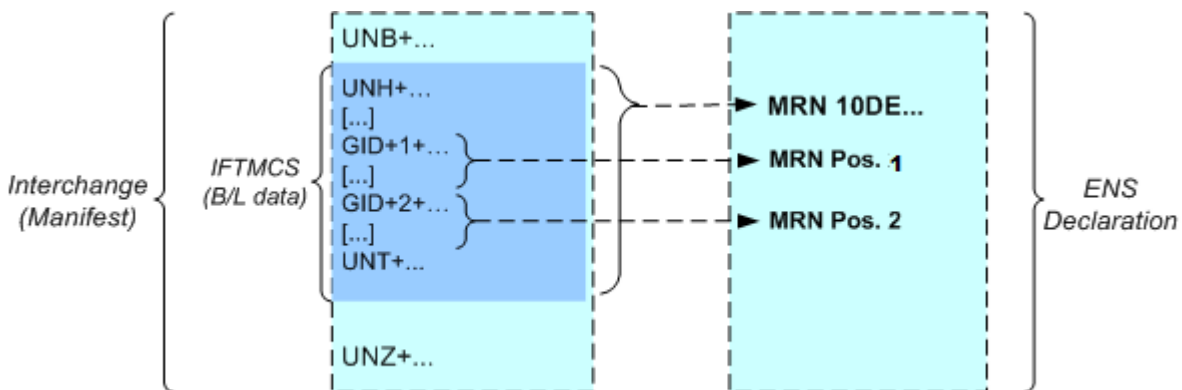
### Sending manifest data in IFTMCS format

The EDIFACT message IFTMCS is designed as a “B/L Level” message and not as a manifest message. However, carriers may submit whole “manifests” by enclosing a number of IFTMCS messages in a single EDIFACT interchange.



### Conversion of manifest data to ENS declaration

DAKOSY will convert inbound IFTMCS messages into ENS declarations. This means, each IFTMCS message will result in a MRN number being generated at customs. The goods items contained in the B/L will be converted into MRN positions.



## Differences between ICS 1 and ICS 2 messages

Since the process has been changed between ICS 1 and ICS 2 there will be changes in the IFTMCS message used for declarations with the STI. In this chapter we are going to explain the essential changes. We designed the IFTMCS interface for ICS 2, so that you can use some of the structures already present in the ICS 1 interface, to minimize the work needed for implementing this new IFTMCS.

Following are some considerations made on the basis of the example messages found in chapter 0. The list is not exhaustive and will not completely replace looking closely at chapter 0 for detailed descriptions of segments and fields.

For messages that contain complete master and house consignment data (e.g. IE3F11), it is expected to send the master data in the first IFTMCS of an interchange and the house data in the following IFTMCS of the same interchange (see 0 and 0)

The message header (consisting of segments UNA/UNB/UNH/BGM and DTM+137) stays virtually the same, with one little exception:

UNH.S009.0057 : To distinguish ICS 1 from ICS 2 Messages you have to send 'ICS210' for ICS 2 messages in Version 1.0

In the future it might become necessary to further differentiate the messages sent, but for now this is the only acceptable code for ICS 2.

TOD Segment will mandatory for most message types. Here you are declaring which method will be used for paying the transport charges.

RFF+SC will still be used, but the context will be different:

The STI uses different messages for each use case. This means you have to send the specific use case you are using in this segment. Those use cases are based on the message names used by the STI (IE3Fxy). For every use case there is a message of name 'F' followed by a specific number in the range of 10 to 52, depending on the mode of transport and the data used.

RFF+CI indicates whether your goods are transported in a container.

RFF+SCI is a new segment to indicate that the consignment is a split consignment. The "Split consignment indicator" is a data element part of the ENS filings submitting the master transport information such as F10, F11, F12 and F13. It is a True/False field which is used for the cases when part of the cargo covered by a single ENS cannot be all loaded on the same vessel as initially planned.

RFF+REI is a new segment, that will be mandatory in certain use cases. With this segment you indicate whether the goods you are transporting are re-entering the EU.

DOC+TDM/TDH needs to be filled with the Transport document, depending on the use case, you either need to send TDM or TDH or both.

Unfortunately the document segment needs to be enclosed in another segment, hence you have to send an empty GOR segment.

The TDT+20 segment stays virtually the same as described in ICS1, only the “Type of means of Transport” has to be added. Additionally there is now Estimated date and time of Departure and Actual date and time of Departure (DTM+133/136).

LOC+7 Place of Delivery is mandatory for most of the ENS message types.

LOC+10 Place of Acceptance. Place where the person issuing the bill of lading takes delivery of the goods from the consignor. Similar to the former ICS1 LOC+91 in ICS1 “Place of B/L issue”.

PIA+5 for HS Code/Commodity Code: It’s not new in ICS2 but now it’s mandatory for all Non Natural persons. So it’s mandatory for all companies.

FTX+AAA for description of goods: It’s not new in ICS2 but now it’s mandatory.

EQD+..Full/Empty Indicator to indicate if a container is full or empty

## New parties in ICS2

Looking at involved parties, there have been some minor changes. There is the newly added declarant. The declarant is the party which is responsible for the ENS filing. Usually, it’s the carrier or the house filer.

Buyer and seller will be mandatory in message types F16/F17. In messages F10/F11/F15 they are mandatory, if the goods transported are destined for Europe. In other message types they are not used:

- The definition of buyer: "The buyer is the last known entity to whom the goods are sold or agreed to be sold. If the goods are to be imported otherwise than in pursuance of a purchase, the details of the owner of the goods shall be provided."
- The definition of seller: "The seller is the last known entity by whom the goods are sold or agreed to be sold to the buyer. If the goods are to be imported otherwise than in pursuance of a purchase, the details of the owner of the goods shall be provided."

The supplementary declarant for multiple filing is mandatory in message of type F12. In messages F13/14 it is mandatory if the goods are destined for Europe. In F15 it is optional.

If you have to set the party address you now have to give either the street and number or a p.o.box.

EORI numbers are required or at least strongly recommended for most parties. Especially for consignee. EORI is mandatory for consignee in EU, if company has an EORI.

Furthermore, the type of person (natural/legal/association) is a new field of parties like consignee, consignor, notify party, buyer, seller.

For further information, especially concerning optional information, please see the detailed message description in chapter 0. When sending amendments upon an RFI, further segments might become mandatory depending on the information requested by customs.

## New validations

A new and important validation in ICS2 is the check for uniqueness of the BL number. This means, the BL number (transport document number) must be unique over the ENS messages of a declarant. If a declarant sends a new ENS with the same BL number, it will be rejected by the STI with the following error message: “Duplicate Transport Document Reference”. For cases where you can’t amend your existing ENS, you need to cancel your ENS and send a new one. Other cases where you send more than one ENS with the same BL number are re-entry and split consignment. For both cases, ICS2 IFTMCS provides flags for it, to avoid the said error about a duplicate transport reference.

## Official ICS2 documents and Code Lists

The information and documents linked below are outside the control of DAKOSY and subject to change, therefore the given links might not work or the versions mentioned might be replaced with newer versions.

ICS2: Common Operational Guidance for all transport modes:

<https://circabc.europa.eu/ui/group/18fb5859-3970-4ac5-b30b-6604977a15a7/library/16e29912-d290-417e-a45c-b286407e1770>

Documents like Operational Guidance and Code Lists can be found here for Release 3 (maritime):

<https://circabc.europa.eu/ui/group/617eb8f3-5946-4fe5-a01f-42974a83b29c>

A document about the multiple filing process can be found here:

<https://op.europa.eu/en/publication-detail/-/publication/f0c54ba3-4e1b-11ef-acbc-01aa75ed71a1/language-en>

Rules and Conditions (R&C) can be found here:








[https://circabc.europa.eu/ui/group/617eb8f3-5946-4fe5-a01f-42974a83b29c/library/48876c6e-bd24-47b8-b88e-a92ef6e74340?p=1&n=10&sort=modified\\_DESC](https://circabc.europa.eu/ui/group/617eb8f3-5946-4fe5-a01f-42974a83b29c/library/48876c6e-bd24-47b8-b88e-a92ef6e74340?p=1&n=10&sort=modified_DESC)

Choose the newest version:

<input type="checkbox"/>	Name	Title	Last modification ↓
<input type="checkbox"/>	ICS2-HTI-v2.02.zip ICS2-HTI-v2.02.zip		2023 02 06, 11:57
<input type="checkbox"/>	ICS2-HTI-v2.01.zip ICS2-HTI-v2.01.zip		2022 03 11, 17:51
<input type="checkbox"/>	ICS2-HTI-v1.30.zip ICS2-HTI-v1.30.zip		2021 09 30, 15:07
<input type="checkbox"/>	ICS2-HTI-v2.00.zip ICS2-HTI-v2.00.zip		2021 09 30, 15:05

Open ZIP file and choose the selected file:

Name

-  5. ICS2-HTI-IE-(2022-05-04)-v2.02
-  4. ICS2-HTI-BPML4-(2021-07-30)-v2.00
-  3. ICS2-HTI-BPML3.5-(2021-07-30)-v2.00
-  1. ICS2-HTI-Main-(2022-05-23)-v2.02.docx
-  7. ICS2-HTI-CL-(2022-05-23)-v2.01.docx
-  6. ICS2-HTI-R&C-(2022-05-23)-v2.01.docx
-  2. ICS2-HTI-Definitions-(2020-03-16)-v1.11.docx

Code List downloads (CS/RD2) are located here (Domain ICS2):

[https://ec.europa.eu/taxation\\_customs/dds2/rd/rd\\_download\\_home.jsp?Lang=en](https://ec.europa.eu/taxation_customs/dds2/rd/rd_download_home.jsp?Lang=en)

	Domain	Code Lists
Reference data	<div style="border: 1px solid black; padding: 2px; display: inline-block;">ICS2</div> <div style="background-color: black; color: white; padding: 0 5px;">▼</div>	<div style="border: 1px solid black; padding: 2px; display: inline-block;">AdditionalFiscalReferenc</div> <div style="background-color: black; color: white; padding: 0 5px;">▼</div>

Below a table of ICS2 code list and the name of the code list. The name of the code list must be selected in download link above.

CL756	AdditionalFiscalReferencesRole
CL701	AdditionalInformationCodeDeclaration
CL752	AdditionalInformationCodeSubset
CL703	AdditionalInformationType
CL704	AdditionalSupplyChainActorRoleCode
CL707	CommunicationMeansType
CL708	ContainerIndicator
CL709	ContainerPackedStatus



CL710	ContainerSizeAndTypeIdentification
CL711	ContainerSupplierTypeCode
CL717	CountryCodeICS2MS
CL352	Currency
CL141	CustomsOffice
CL013	DocumentTypeCommon
CL027	Flag
CL724	HRCM Screening Method
CL726	HRCM Screening Result (Subset)
CL718	ICS2CountryCode
CL723	FunctionalErrorCodes
CL742	ICS2SpecificCircumstanceIndicator
CL017	KindOfPackages
CL729	PartyIdentifierType
CL733	PostcodeAvailability
CL732	PostcodeDataLevel
CL734	ProcedureIdentifier
CL735	ReferralRequestType
CL094	RepresentativeStatusCode
CL744	StateSubset
CL745	SupplementaryFilingType
CL748	TraderIntefaceIdentifier
CL116	TransportChargesMethodOfPayment
CL754	TransportDocumentType
CL018	TransportMode
CL750	TypeOfIdentificationOfMeansOfTransport
CL751	TypeOfMeansOfTransport
CL749	TypeOfGoods
CL101	UnDangerousGoodsCode
CL244	UnLocodeExtended

## Examples

### ENS-Messages

Following, you will find examples for IFTMCS messages of different types that meet the requirements for a IE3F1x messages (as can be seen in the segment RFF+SC:F1X') to STI. In these examples most optional data has been left out, to show what the minimum viable dataset would look like. For further information on any optional data please have a look at the segment structure in chapter 0. Further examples can be produced upon request.

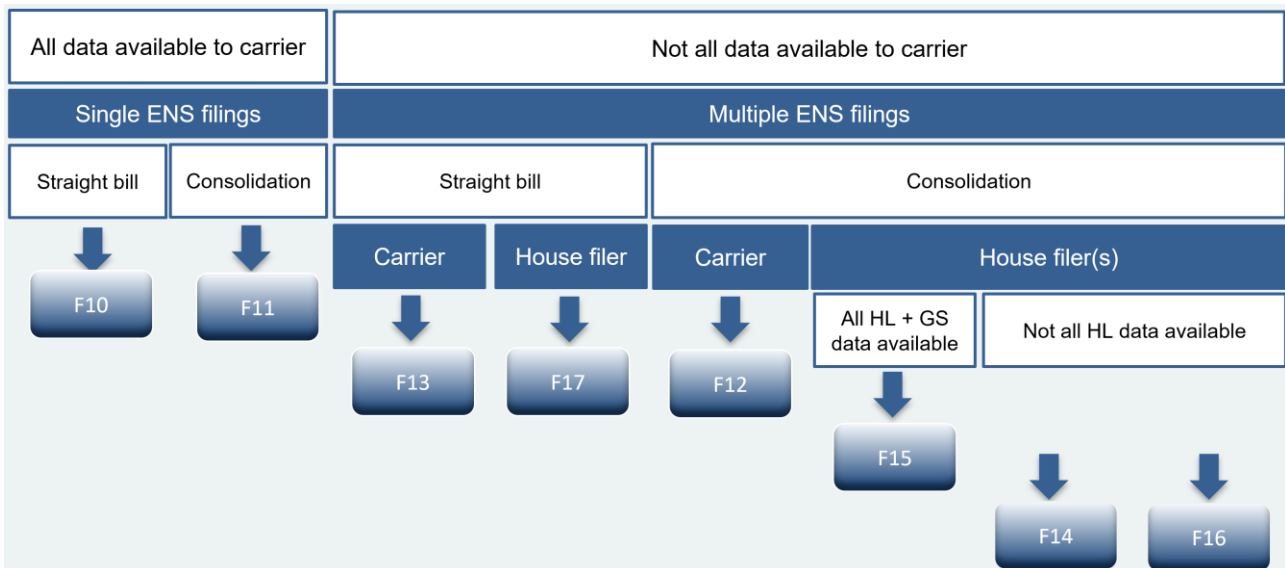
The following combinations are possible for consignments transported in maritime. For more details please also see the ICS2 Operational guidance.

Full filings:

1. F10
2. F11

Partial ENS filing combinations:

1. F12 and F15
2. F12, F14 and F16
3. F13 and F17



HL = House Level

GS = Goods Shipment which stands for buyer and seller. In some cases House filer can't send buyer and seller, but House level data. So it's separated into F14 (HL cargo data) and F16 (buyer/seller).

The connection between carrier ENS and House filer ENS will be made by STI via the following elements:

Carrier, Transport Document Reference (BL number), Supplementary declarant.

Regarding the Supplementary declarant, it needs to be set as follows:

- Option 1: F13 + F17 (buyer/seller): F13 contains one supplementary declarant, which will send the F17.
- Option 2: F12 + F15 (HBL cargo data + buyer/seller): F12 contains one supplementary declarant which will send the F15. The F15 of the House Filer can contain also up to 99 supplementary declarants for the Sub-house filer. So F15 can be lodged either by one House Filer (set in F12) or by one House-Filer (set in F12) and several sub-house filers (set in F15).
- Option3: F12 + 14 (HBL cargo data) + F16 (buyer/seller): F12 contains one supplementary declarant which will send the F14. So, F14 can only be sent by one party. But 14 can contain up to 99 supplementary declarants, per house consignment. The F14 contains the supplementary declarant which will send the F16.

**IE3F10**

The F10 message is a complete Non-CONSOL ENS (Straight bill of lading).

UNA:+.? '  
UNB+UNOC:3+CARR+DAK+230123:1707+20230123100000+++++1'  
UNH+20230122171055+IFTMCS:D:00B:UN:ICS210'  
BGM+355+LRN202301231234+9'  
DTM+137:202301231707:203'  
CNT+7:22500:KGM'  
LOC+41+DE001234'  
TOD++Z'  
RFF+SC:F10'  
RFF+REI:0'  
RFF+CI:1'  
GOR'  
DOC+TDM:::N705+BL123456'  
TDT+20++1+150++++IMO9598567:10::CARRIERS VESSEL:DE'  
DTM+133:202301101532:203'  
DTM+132:202301241532:203'  
LOC+11+DEHAM:::HAMBURG++DE'  
LOC+9+CNHKG:::HONG KONG++CN'  
LOC+7+ESMAD:::MADRID+ES'  
LOC+49+CN+++1'  
LOC+49+DE+++2'  
LOC+10+CNQSE:::SHENZHEN+CN'  
NAD+CG+DE6006005+:+CARRIER+STREET::123:+City++POSTCODE+DE'  
NAD+CZ+DE6006005+2:+Consignor+STREET::234:+City++POSTCODE+CN'  
NAD+BY+DE6006005+2:+Buyer+STREET::124:+City++POSTCODE+DE'  
NAD+SE+DE6006005+2:+Seller+STREET::456:+City++POSTCODE+DE'  
NAD+DT+DE6006005+:+Declarant+STREET::123:+City++POSTCODE+DE'  
CTA+IC'  
COM+declarant@company.com:EM'  
GID+1+9:CN'  
PIA+5+123456'  
FTX+AAA+++GOODS DESCRIPTION'  
MEA+AAE+G+KGM:22500'  
PCI++SHIPPING MARKS'  
SGP+CARR3322115'  
EQD+CN+CARR3322115+44+1+++4'  
UNT+34+20230122171055'  
UNZ+1+20140123100000'

**IE3F11**

The F11 message is a complete CONSOL ENS. To send one master BL with several underlying house BLs, send them all in one file. As you can see in the example below there are three IFTMCS messages. The first IFTMCS message is the master BL part and the last two IFTMCS messages are the underlying house BL parts. The house BL parts have the house BL number (DOC+TDH) and the related master BL number (DOC+TDM).

**Master:**

UNA:+.? '  
UNB+UNOC:3+CARR+DAK+230123:1707+20230123100000+++++1'  
UNH+20230122171055+IFTMCS:D:00B:UN:ICS210'  
BGM+355+LRN000012345678+9'  
DTM+137:202301231707:203'  
CNT+7:22500:KGM'  
LOC+41+DE001234'  
TOD++Z'  
RFF+SC:F11'  
RFF+CI:1'  
RFF+SCI:23DE12345678912345'  
GOR'  
**DOC+TDM:::N704+MBL100000'**  
TDT+20++1+150++++IMO9598567:10::CARRIERS VESSEL:US'  
DTM+133:202301101532:203'  
DTM+132:202301231707:203'  
LOC+11+DEHAM:::HAMBURG++DE'  
LOC+9+CNHKG:::HONG KONG++CN'  
LOC+7+ESMAD:::MADRID+ES'  
LOC+49+CN+++1'  
LOC+49+DE+++2'  
LOC+10+CNQSE:::SHENZHEN+CN'  
NAD+CG+DE6006005+:+CARRIER+STREET::111:+City++POSTCODE+DE'  
NAD+CZ+DE6006005+2:+Consignor+STREET::333:+City++POSTCODE+CN'  
NAD+DT+DE6006005+:+Declarant+STREET::222:+City++POSTCODE+DE'  
CTA+IC'  
COM+declarant@company.com:EM'  
GID+1+9:CN'  
PIA+5+123456'  
FTX+AAA+++Detailed goods description as provided from the house level'  
MEA+AAE+G+KGM:22500'  
PCI++SHIPPING MARKS'  
SGP+CARR3322115'  
EQD+CN+CARR3322115+44+1++4'  
UNT+29+20230122171055'

**House 1:**

UNH+20100122171056+IFTMCS:D:00B:UN:ICS210'  
BGM+355+LRN000012345678+9'

DTM+137:202301231707:203'  
CNT+7:11250:KGM'  
LOC+41+DE001234'  
TOD++Z'  
RFF+SC:F11'  
RFF+CI:1'  
GOR'  
**DOC+TDM:::N704+MBL100000'**  
**DOC+TDH:::N714+HBL00001'**  
TDT+20++1'  
LOC+7+ESMAD:::MADRID+ES'  
LOC+49+CN+++1'  
LOC+49+DE+++2'  
LOC+49+ES+++3'  
LOC+10+CNQSE:::SHENZHEN+CN'  
NAD+CN+DE6006005+2:+CONSIGNEE+STREET::123:+City++POSTCODE+DE'  
NAD+CZ+ES2345678+2:+CONSIGNOR+STREET::123:+City++POSTCODE+CN'  
NAD+BY+DE6006005+2:+Buyer+STREET::123:+City++POSTCODE+DE'  
NAD+SE+DE6006005+2:+Seller+STREET::123:+City++POSTCODE+DE'  
GID+1+9:CN'  
PIA+5+123456'  
FTX+AAA+++GOODS DESCRIPTION'  
MEA+AAE+G+KGM:11250'  
PCI++SHIPPING MARKS'  
SGP+CARR3322115'  
EQD+CN+CARR3322115+44+1++4'  
UNT+32+20100122171056'

House 2:

UNH+20100122171057+IFTMCS:D:00B:UN:ICS210'  
BGM+355+LRN000012345678+9'  
DTM+137:202301231707:203'  
CNT+7:11250:KGM'  
LOC+41+DE001234'  
TOD++Z'  
RFF+SC:F11'  
RFF+CI:1'  
GOR'  
**DOC+TDM:::N704+MBL100000'**  
**DOC+TDH:::N714+HBL00002'**  
TDT+20++1'  
LOC+7+ESMAD:::MADRID+ES'  
LOC+49+CN+++1'  
LOC+49+DE+++2'  
LOC+49+ES+++3'  
LOC+10+CNQSE:::SHENZHEN+CN'  
NAD+CN+++2:+CONSIGNEE+STREET::123:+City++POSTCODE+DE'  
NAD+CZ+ES2345678+2:+CONSIGNOR+STREET::123:+City++POSTCODE+CN'  
NAD+BY+DE6006005+2:+Buyer+STREET::123:+City++POSTCODE+DE'

NAD+SE+DE6006005+2:+Seller+STREET::123:+City++POSTCODE+DE'  
GID+1+9:CN'  
PIA+5+123456'  
FTX+AAA+++GOODS DESCRIPTION'  
MEA+AAE+G+KGM:11250'  
PCI++SHIPPING MARKS'  
SGP+CARR3322115'  
EQD+CN+CARR3322115+44+1++4'  
UNT+32+20100122171057'  
UNZ+3+20140123100000'

### IE3F12

The F12 message is an incomplete CONSOL ENS (Master Bill of Lading).  
F12 is to send the part of the Master Bill of Lading (Consol) as a carrier without buyer and seller information. Carrier sends no House Level information.

UNA:+.? '  
UNB+UNOC:3+CARR+DAK+230123:1707+20230123100000+++++1'  
UNH+20230122171055+IFTMCS:D:00B:UN:ICS210'  
BGM+355+LRN202301231234+9'  
DTM+137:202301231707:203'  
CNT+7:22500:KGM'  
LOC+41+DE001234'  
TOD++Z'  
RFF+SC:F12'  
RFF+CI:1'  
RFF+SUD:DE12345:1'  
RFF+SCI:23DE12345678912345'  
GOR'  
DOC+TDM:::N704+BL123456'  
TDT+20++1+150++++IMO9598567:10::CARRIERS VESSEL:US'  
DTM+133:202301101532:203'  
DTM+132:202301231707:203'  
LOC+11+DEHAM:::HAMBURG++DE'  
LOC+9+CNHKG:::HONG KONG++CN'  
LOC+7+ESMAD:::MADRID+DE'  
LOC+49+CN+++1'  
LOC+49+DE+++2'  
LOC+10+CNQSE:::SHENZHEN+CN'  
NAD+CG+DE6006005+:+CARRIER+STREET::123:+City++POSTCODE+DE'  
NAD+CZ+DE6006005+2:+Consignor+STREET::123:+City++POSTCODE+DE'  
NAD+DT+DE6006005+:+Declarant+STREET::123:+City++POSTCODE+DE'  
CTA+IC'  
COM+declarant@company.com:EM'  
GID+1+9:CN'  
PIA+5+123456'  
FTX+AAA+++GOODS DESCRIPTION'  
MEA+AAE+G+KGM:22500'

PCI++SHIPPING MARKS'  
SGP+CARR3322115'  
EQD+CN+CARR3322115+44+1++4'  
UNT+33+20230122171055'  
UNZ+1+20140123100000'

### IE3F13

The F13 message is an incomplete Non CONSOL ENS (Straight Bill of Lading).  
F13 is to send a so called Straight Bill of Lading (Non Consol) as a carrier without buyer and seller information.

UNA:+.? '  
UNB+UNOC:3+CARR+DAK+230123:1707+20230123100000+++++1'  
UNH+20230122171055+IFTMCS:D:00B:UN:ICS210'  
BGM+355+LRN202301231234+9'  
DTM+137:202301231707:203'  
CNT+7:22500:KGM'  
LOC+41+DE001234'  
TOD++Z'  
RFF+SC:F13'  
RFF+CI:1'  
RFF+SUD:DE12345:1'  
RFF+SCI:23DE12345678912345'  
GOR'  
DOC+TDM:::N705+BL123456'  
TDT+20++1+150++++IMO9598567:10::CARRIERS VESSEL:US'  
DTM+133:202301101532:203'  
DTM+132:202301231707:203'  
LOC+11+DEHAM:::HAMBURG++DE'  
LOC+9+CNHKG:::HONG KONG++CN'  
LOC+7+ESMAD:::MADRID+ES'  
LOC+49+CN+++1'  
LOC+49+DE+++2'  
LOC+10+CNQSE:::SHENZHEN+CN'  
NAD+CG+DE6006005+:+CARRIER+STREET::123:+City++POSTCODE+DE'  
NAD+CZ+DE6006005+2:+Consignor+STREET::234:+City++POSTCODE+CN'  
NAD+DT+DE6006005+:+Declarant+STREET::123:+City++POSTCODE+DE'  
CTA+IC'  
COM+declarant@company.com:EM'  
GID+1+9:CN'  
PIA+5+123456'  
FTX+AAA+++GOODS DESCRIPTION'  
MEA+AAE+G+KGM:22500'  
PCI++SHIPPING MARKS'  
SGP+CARR3322115'  
EQD+CN+CARR3322115+44+1++4'  
UNT+30+20230122171055'  
UNZ+1+20140123100000'



**IE3F14**

The F14 message is an incomplete ENS (Consol).

F14 is to send the part of the House Bill of Lading (Consol) as a house filing party or as a carrier. Without buyer and seller information.

F14 can contain several house BLs and you need to send them all in one file. As you can see in the example below there are two IFTMCS messages. Both are house BL parts. The house BL parts have the house BL number (DOC+TDH) and the related master BL number (DOC+TDM).

**House 1:**

UNA:+.? '  
UNB+UNOC:3+CARR+DAK+230123:1707+20230123100000+++++1'  
UNH+20230122171055+IFTMCS:D:00B:UN:ICS210'  
BGM+355+LRN000001234567+9'  
DTM+137:202301231707:203'  
CNT+7:22500:KGM'  
LOC+AMS+DE'  
TOD++Z'  
RFF+SC:F14'  
RFF+CI:1'  
RFF+SUD:DE12345:2'  
GOR'  
**DOC+TDM:::N704+MBL200000'**  
**DOC+TDH:::N714+HBL00001'**  
TDT+20++1'  
LOC+7+ESMAD:::MADRID+ES'  
LOC+49+CN+++1'  
LOC+49+DE+++2'  
LOC+49+ES+++3'  
LOC+10+CNQSE:::SHENZHEN+CN'  
NAD+CG+DE6006005'  
NAD+CN+ES6006005+2:+CONSIGNEE+STREET::123:+City++POSTCODE+ES'  
NAD+CZ+DE6006005+2:+Consignor+STREET::123:+City++POSTCODE+DE'  
NAD+DT+DE6006005+:+Declarant+STREET::123:+City++POSTCODE+DE'  
CTA+IC'  
COM+declarant@company.com:EM'  
GID+1+9:CN'  
PIA+5+123456'  
FTX+AAA+++GOODS DESCRIPTION'  
MEA+AAE+G+KGM:22500'  
PCI++SHIPPING MARKS'  
SGP+CARR3322115'  
EQD+CN+CARR3322115+44+1++4'  
UNT+30+20230122171055'

**House 2:**

UNH+20230122171066+IFTMCS:D:00B:UN:ICS210'

BGM+355+LRN000001234567+9'  
 DTM+137:202301231707:203'  
 CNT+7:22500:KGM'  
 LOC+AMS+DE'  
 TOD++Z'  
 RFF+SC:F14'  
 RFF+CI:1'  
 RFF+SUD:DE12345:2'  
 GOR'  
**DOC+TDM:::N704+MBL200000'**  
**DOC+TDH:::N714+HBL00002'**  
 TDT+20++1'  
 LOC+7+ESMAD:::MADRID+ES'  
 LOC+49+CN+++1'  
 LOC+49+DE+++2'  
 LOC+49+ES+++3'  
 LOC+10+CNQSE:::SHENZHEN+CN'  
 NAD+CG+DE6006005'  
 NAD+CN+ES6006005+2:+CONSIGNEE+STREET::123:+City++POSTCODE+ES'  
 NAD+CZ+DE6006005+2:+Consignor+STREET::123:+City++POSTCODE+DE'  
 NAD+DT+DE6006005+:+Declarant+STREET::123:+City++POSTCODE+DE'  
 CTA+IC'  
 COM+declarant@company.com:EM'  
 GID+1+9:CN'  
 PIA+5+123456'  
 FTX+AAA+++GOODS DESCRIPTION'  
 MEA+AAE+G+KGM:22500'  
 PCI++SHIPPING MARKS'  
 SGP+CARR3322115'  
 EQD+CN+CARR3344551+44+1+++4'  
 UNT+30+20230122171066'  
 UNZ+1+20140123100000'

**IE3F15**

The F15 message is an incomplete ENS (Consol).  
 F15 is to send the part of the House Bill of Lading (Consol) with information about the consignee, buyer and seller as a house filing party.

UNA:+.? '  
 UNB+UNOC:3+CARR+DAK+230123:1707+20230123100000++++++1'  
 UNH+20230122171055+IFTMCS:D:00B:UN:ICS210'  
 BGM+355+LRN202301231234+9'  
 DTM+137:202301231707:203'  
 CNT+7:22500:KGM'  
 LOC+AMS+DE'  
 TOD++Z'  
 RFF+SC:F15'  
 RFF+CI:1'

GOR'  
DOC+TDM:::N704+BL123456'  
DOC+TDH:::N714+HBL98765'  
TDT+20++1'  
LOC+7+ESMAD:::MADRID+ES'  
LOC+49+CN+++1'  
LOC+49+DE+++2'  
LOC+49+ES+++3'  
LOC+10+CNQSE:::SHENZHEN+CN'  
NAD+CG+DE9876543'  
NAD+CN+DE6006005+2:+Consignee+STREET::123:+City++POSTCODE+ES'  
NAD+CZ+DE6006005+2:+Consignor+STREET::123:+City++POSTCODE+CN'  
NAD+BY+DE6006005+2:+Buyer+STREET::123:+City++POSTCODE+DE'  
NAD+SE+DE6006005+2:+Seller+STREET::123:+City++POSTCODE+DE'  
NAD+DT+DE6006005+:+Declarant+STREET::123:+City++POSTCODE+DE'  
CTA+IC'  
COM+declarant@company.com:EM'  
GID+1+9:CN'  
PIA+5+123456'  
FTX+AAA+++GOODS DESCRIPTION'  
MEA+AAE+G+KGM:22500'  
PCI++SHIPPING MARKS'  
SGP+CARR3322115'  
EQD+CN+CARR3322115+44+1+++4'  
UNT+31+20230122171055'  
UNZ+1+20140123100000'

### **IE3F16**

The F16 message is an incomplete ENS (Consol).

F16 is to send the part of the House Bill of Lading (Consol) with information about the buyer and seller as a house filing party. No cargo data included. In combination with F12 by carrier.

UNA:+.? '  
UNB+UNOC:3+CARR+DAK+230123:1707+20230123100000++++++1'  
UNH+20230122171055+IFTMCS:D:00B:UN:ICS210'  
BGM+355+LRN202301231234+9'  
DTM+137:202301231707:203'  
LOC+AMS+DE'  
RFF+SC:F16'  
GOR'  
DOC+TDM:::N704+BL123456'  
DOC+TDH:::N714+HBL98765'  
NAD+CG+DE9876543'  
NAD+BY+DE6006005+2:+Buyer+STREET::123:+City++POSTCODE+DE'  
NAD+SE+DE6006005+2:+Seller+STREET::123:+City++POSTCODE+DE'  
NAD+DT+DE6006005+:+Declarant+STREET::123:+City++POSTCODE+DE'

CTA+IC'  
COM+declarant@company.com:EM'  
UNT+15+20230122171055'  
UNZ+1+20140123100000'

### **IE3F17**

The F17 message is an incomplete ENS (Non Consol).  
IE3F17 is to send a so called Straight Bill of Lading (Non Consol) with information about the buyer and seller as a house filing party. No cargo data included. In combination with F13 by carrier.

UNA:+.? '  
UNB+UNOC:3+CARR+DAK+230123:1707+20230123100000++++++1'  
UNH+20230122171055+IFTMCS:D:00B:UN:ICS210'  
BGM+355+LRN202301231234+9'  
DTM+137:202301231707:203'  
LOC+AMS+DE'  
RFF+SC:F17'  
GOR'  
DOC+TDM:::N705+BL123456'  
NAD+CG+DE9876543'  
NAD+BY+DE6006005+2:+Buyer+STREET::123:+City++POSTCODE+DE'  
NAD+SE+DE6006005+2:+Seller+STREET::123:+City++POSTCODE+DE'  
NAD+DT+DE6006005+:+Declarant+STREET::123:+City++POSTCODE+DE'  
CTA+IC'  
COM+declarant@company.com:EM'  
UNT+14+20230122171055'  
UNZ+1+20140123100000'

### **IE3F45**

F45 is for postal items from the shipping company, if there are goods in the letters/postal items. F43 and F44 come from the postal company.  
How are the three messages linked in the STI?  
The link between F45 and F44 is based on the Receptacle ID. The link between F43 and F44 is based on the Transport Document. The Supplementary Declarant is not relevant for the linking of partial data records for postal items.

UNA:+.? '  
UNB+UNOC:3+CARR+DAK+230123:1707+20230123100000++++++1'  
UNH+20230122171055+IFTMCS:D:00B:UN:ICS210'  
BGM+355+LRN202301231234+9'  
DTM+137:202301231707:203'  
LOC+41+DE001234'  
RFF+SC:F45'  
RFF+REI:0'  
RFF+CI:1'  
RFF+UCR:E4712'  
RFF+REC:RECEPTACLE1'

RFF+REC:RECEPTACLE2'  
GOR'  
DOC+SD:::XXX+SUPPDOG'  
DOC+TDM:::N705+MBL123456'  
TDT+20++1+150++++IMO9598567:10::CARRIERS VESSEL:DE'  
DTM+133:202301022359:203'  
DTM+132:202301242359:203'  
LOC+11+DEHAM:::HAMBURG++DE'  
LOC+9+CNHKG:::HONG KONG++CN'  
LOC+49+CN+++1'  
LOC+49+DE+++2'  
LOC+49+ES+++3'  
NAD+CG+DE12345+:+CARRIER+STREET::123:+City++POSTCODE+DE'  
NAD+CZ+DE6006005+2:+Consignor+STREET::234:+City++POSTCODE+CN'  
NAD+CN+DE1234567+2:+CONSIGNEE+STREET::234:+City++POSTCODE+DE'  
NAD+DT+DE12345+:+Declarant+STREET::123:+City++POSTCODE+DE'  
CTA+IC'  
COM+DECLARANT@COMPANY.COM:EM'  
NAD+SCA+DE1234567:MF'  
EQD+CN+CARR3322115'  
SEL+1210404'  
UNT+31+20230122171055'  
UNZ+1+20140123100000'

## Cancellation

### Cancellation message with minimal amount of elements:

UNA:+.? '  
UNB+UNOC:3+CARR+DAK+230123:1707+20230123100000++++++1'  
UNH+20100122171055+IFTMCS:D:00B:UN:ICS210'  
BGM+355+LRN202308071234+1'  
DTM+137:202301231707:203'  
LOC+41+DE001234'  
RFF+MRN:23DE0200003TLUJAT8'  
NAD+DT+DE1234567'  
UNT+6+20100122171055'  
UNZ+1+20140123100000'

### Cancellation message with maximal amount of elements:

UNA:+.? '  
UNB+UNOC:3+CARR+DAK+230123:1707+20230123100000++++++1'  
UNH+20100122171055+IFTMCS:D:00B:UN:ICS210'  
BGM+355+LRN202301231234+1'  
DTM+137:202301231707:203'  
LOC+AMS+DE'  
LOC+41+DE001234'  
RFF+MRN:23DE0200003TLUJAT7'

GOR'

DOC+TDM:::N705+MBL123456'

NAD+AG+DE1234567'

NAD+DT+DE1234567'

UNT+11+20100122171055'

UNZ+1+20140123100000'

## IFTMCS Segments in ICS2 ENS (sea freight)

Overview of all IFTMCS segments and their use in sea freight ENS F10-F17 and F45.

M = Mandatory

O = Optional

D = Depends on other attributes

IFTMCS segment	F10	F11	F12	F13	F14	F15	F16	F17	F45
BGM	M	M	M	M	M	M	M	M	M
DTM+137	M	M	M	M	M	M	M	M	M
CNT+7	M	M	M	M	M	M			
LOC+AMS					M	M	M	M	
LOC+41	M	M	M	M					M
TOD	M	M	M	M	M	M			
RFF+RRR	O	O	O	O	O	O	O	O	O
RFF+MRN	D	D	D	D	D	D	D	D	D
RFF+SC	M	M	M	M	M	M	M	M	M
RFF+REI	M	M	M	M					M
RFF+SCI	O	O	O	O					O
RFF+CI	M	M	M	M	M	M			M
RFF+SUD			M	D	D	O			
RFF+UCR	O	O	O	O	O	O	O	O	O
RFF+REC									M
GOR	M	M	M	M	M	M	M	M	M
FTX+ACB	O	O	O	O	O	O	O	O	
DOC+SD	O	O	O	O	O	O	O	O	O
DOC+TDM	M	M	M	M	M	M	M	M	M
DOC+TDH		M			M	M	M		
TDT+20 mode of transport only					M	M			
TDT+20 all attributes	M	M	M	M					M
DTM+136	D	D	D	D					D
DTM+133	D	D	D	D					D
DTM+132	M	M	M	M					M
LOC+11	M	M	M	M					M
LOC+9	M	M	M	M					M
LOC+7	M	M	M	M	M	M			
LOC+49	M	M	M	M	M	M			M
LOC+10	M	M	M	M	M	M			
TDT+PBT	O	O			O	O			O
NAD+AG	O	O	O	O	O	O	O	O	O
.. CTA-COM	M	M	M	M	M	M	M	M	M
NAG+CG EORI only					M	M	M	M	
NAD+CG	M	M	M	M					M
.. CTA-COM	O	O	O	O					O
NAD+CN	O	D	O	O	D	D			M
.. CTA-COM	O	O	O	O	O	O			O

NAD+CZ	M	M	M	M	M	M			M
.. CTA-COM	O	O	O	O	O	O			O
NAD+BY	D	D				D	M	M	
.. CTA-COM	O	O				O	O	O	
NAD+SE	D	D				D	M	M	
.. CTA-COM	O	O				O	O	O	
NAD+N1	O	O	O	O	D	D			
.. CTA-COM	M	M	M	O	O	O			
NAD+DT	M	M	M	M	M	M	M	M	M
.. CTA-COM	M	M	M	M	M	M	M	M	M
NAD+SCA	O	O	O	O	O	O	O	O	O
GID	M	M	M	M	M	M			
PIA+5	D	D	D	D	D	D			
FTX+AAA	M	M	M	M	M	M			
FTX+ACB	O	O	O	O	O	O			
NAD+SCA	O	O	O	O	O	O			
MEA+AAE	M	M	M	O	M	M			
RFF+CUS	O	O	O	O	O	O			
PCI	D	D	D	D	D	D			
DOC+SD	O	O	O	O	O	O			
SGP	O	O	O	O	O	O			
DGS+IMD	O	O	O	O	O	O			
FTX+AAD	O	O	O	O	O	O			
EQD+CN	D	D	D	D	D	D			O
SEL	O	O	O	O	O	O			O

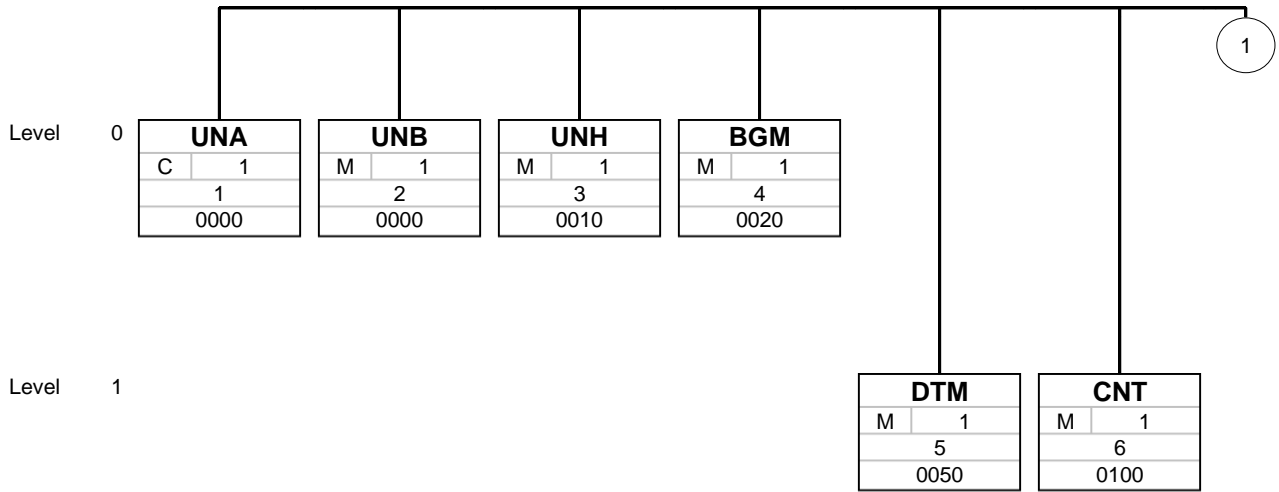


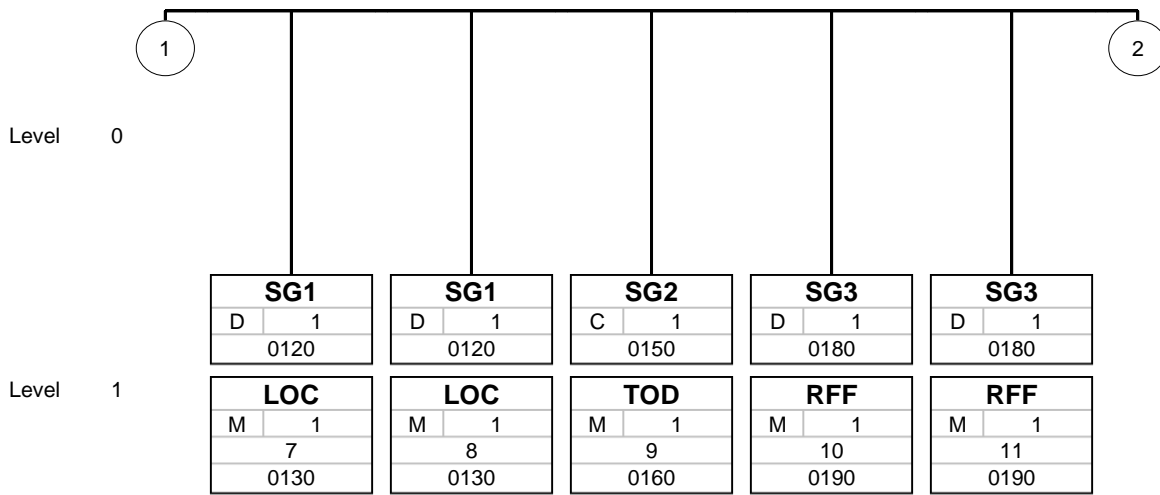
## **Segment structure**

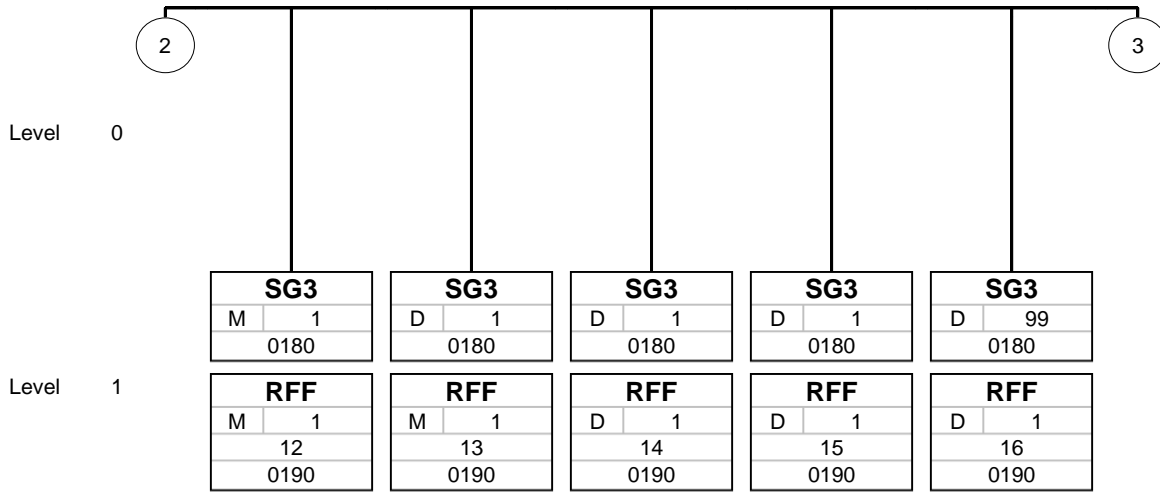
Counter	No	Tag	St	MaxOcc	Level	Content	
	0000	1	UNA	C	1	0	Service string advice
	0000	2	UNB	M	1	0	Interchange header
	0010	3	UNH	M	1	0	Message header
	0020	4	BGM	M	1	0	Beginning of message
	0050	5	DTM	M	1	1	Message Creation Date
	0100	6	CNT	M	1	1	Total Gross Mass
	0120		SG1	D	1	1	Addressed member state
	0130	7	LOC	M	1	1	Addressed member state
	0120		SG1	D	1	1	Customs office of first entry
	0130	8	LOC	M	1	1	Customs office of first entry
	0150		SG2	C	1	1	Method of payment
	0160	9	TOD	M	1	1	Method of payment
	0180		SG3	D	1	1	Referral request reference
	0190	10	RFF	M	1	1	Referral request reference
	0180		SG3	D	1	1	MRN of ENS declaration
	0190	11	RFF	M	1	1	MRN of ENS declaration
	0180		SG3	M	1	1	Specific circumstance indicator
	0190	12	RFF	M	1	1	Special circumstance indicator
	0180		SG3	D	1	1	Reentry indicator
	0190	13	RFF	M	1	1	Reentry indicator
	0180		SG3	D	1	1	Split consignment indicator
	0190	14	RFF	D	1	1	Split consignment indicator
	0180		SG3	D	1	1	Container indicator
	0190	15	RFF	D	1	1	Container indicator
	0180		SG3	D	99	1	Supplementary declarant
	0190	16	RFF	D	1	1	Supplementary declarant
	0180		SG3	D	1	1	Reference number / UCR
	0190	17	RFF	D	1	1	Reference number / UCR
	0180		SG3	D	999	1	Receptacle / REC
	0190	18	RFF	D	1	1	Receptacle / REC
	0210		SG4	C	1	1	GOR-FTX-SG5-SG5-SG5
	0220	19	GOR	M	1	1	Governmental requirements
	0260	20	FTX	C	99	2	Additional information
	0270		SG5	C	99	2	Supporting Documents
	0280	21	DOC	M	1	2	Document/message details
	0270		SG5	C	1	2	Transport document master
	0280	22	DOC	M	1	2	Document/message details
	0270		SG5	C	1	2	Transport Document House
	0280	23	DOC	M	1	2	Transport Document House
	0460		SG8	D	1	1	Active border transport means
	0470	24	TDT	D	1	1	Details of transport
	0480	25	DTM	C	9	2	Actual date and time of departure
	0480	26	DTM	C	9	2	Estimated date and time of departure
	0480	27	DTM	C	9	2	Estimated date and time of arrival
	0500		SG9	D	1	2	Place of unloading
	0510	28	LOC	M	1	2	Place/location identification
	0500		SG9	D	1	2	Place of loading
	0510	29	LOC	M	1	2	Place/location identification

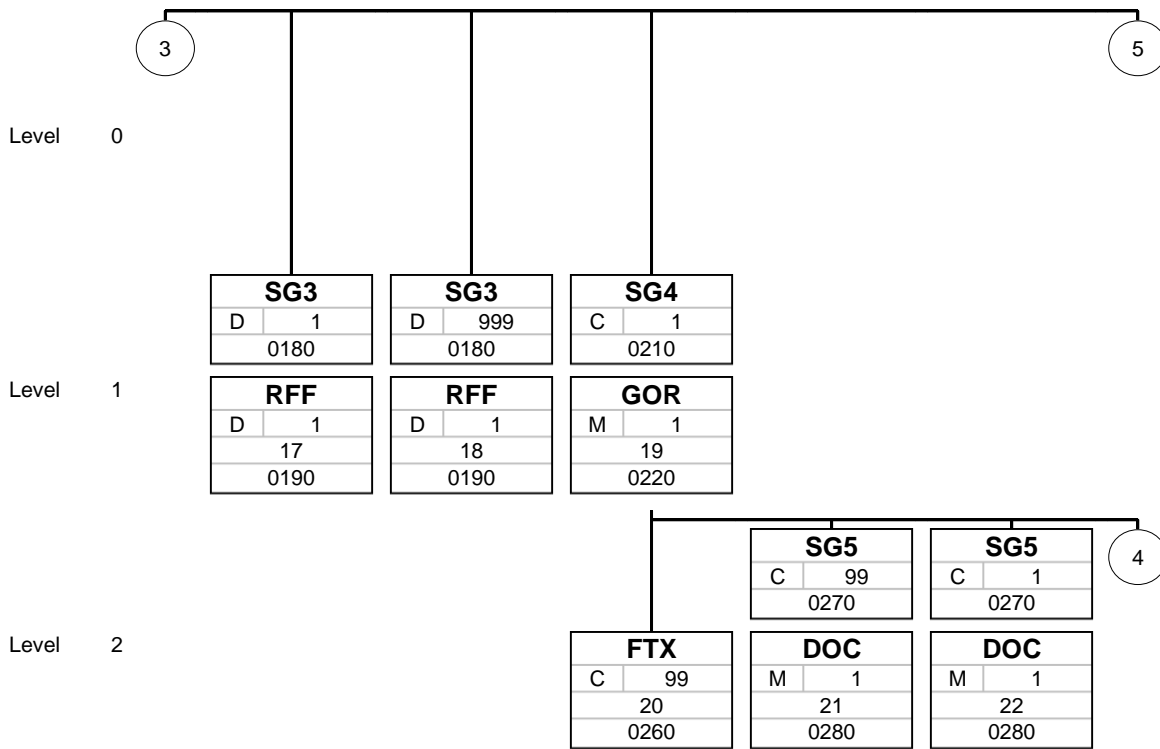
Counter	No	Tag	St	MaxOcc	Level	Content
	0500	<b>SG9</b>	D	1	2	Place of delivery
	0510	30 <b>LOC</b>	M	1	2	Place of delivery
	0500	<b>SG9</b>	C	99	2	Countries of routing
	0510	31 <b>LOC</b>	M	1	2	Place/location identification
	0500	<b>SG9</b>	C	1	2	Place of acceptance
	0510	32 <b>LOC</b>	M	1	2	Place/location identification
	0460	<b>SG8</b>	O	99	1	Passive border transport means
	0470	33 <b>TDT</b>	M	1	1	Vessel Information
	0560	<b>SG11</b>	C	1	1	Representative
	0570	34 <b>NAD</b>	M	1	1	Representative
	0600	<b>SG12</b>	M	1	2	CTA-COM
	0610	35 <b>CTA</b>	N	1	2	Contact information
	0620	36 <b>COM</b>	M	9	3	Communication contact
	0560	<b>SG11</b>	C	1	1	Carrier
	0570	37 <b>NAD</b>	M	1	1	Name and address
	0600	<b>SG12</b>	C	1	2	CTA-COM
	0610	38 <b>CTA</b>	N	1	2	Contact information
	0620	39 <b>COM</b>	M	9	3	Communication contact
	0560	<b>SG11</b>	D	1	1	Consignee
	0570	40 <b>NAD</b>	M	1	1	Name and address
	0600	<b>SG12</b>	C	1	2	CTA-COM
	0610	41 <b>CTA</b>	N	1	2	Contact information
	0620	42 <b>COM</b>	M	9	3	Communication contact
	0560	<b>SG11</b>	C	1	1	Consignor
	0570	43 <b>NAD</b>	M	1	1	Name and address
	0600	<b>SG12</b>	C	1	2	CTA-COM
	0610	44 <b>CTA</b>	C	1	2	Contact information
	0620	45 <b>COM</b>	M	9	3	Communication contact
	0560	<b>SG11</b>	D	1	1	Buyer
	0570	46 <b>NAD</b>	M	1	1	Name and address
	0600	<b>SG12</b>	C	1	2	CTA-COM
	0610	47 <b>CTA</b>	C	1	2	Contact information
	0620	48 <b>COM</b>	M	9	3	Communication contact
	0560	<b>SG11</b>	D	1	1	Seller
	0570	49 <b>NAD</b>	M	1	1	Name and address
	0600	<b>SG12</b>	C	1	2	CTA-COM
	0610	50 <b>CTA</b>	C	1	2	Contact information
	0620	51 <b>COM</b>	M	9	3	Communication contact
	0560	<b>SG11</b>	D	1	1	Notify party
	0570	52 <b>NAD</b>	M	1	1	Name and address
	0600	<b>SG12</b>	M	1	2	CTA-COM
	0610	53 <b>CTA</b>	C	1	2	Contact information
	0620	54 <b>COM</b>	M	9	3	Communication contact
	0560	<b>SG11</b>	M	1	1	Declarant
	0570	55 <b>NAD</b>	M	1	1	Name and address
	0600	<b>SG12</b>	M	1	2	CTA-COM
	0610	56 <b>CTA</b>	C	1	2	Contact information
	0620	57 <b>COM</b>	M	9	3	Communication contact

Counter	No	Tag	St	MaxOcc	Level	Content
	0560	<b>SG11</b>	C	99	1	Additional supply chain actor
	0570	58 <b>NAD</b>	M	1	1	Name and address
	0890	<b>SG18</b>	M	9999	1	GID-PIA-FTX-FTX-SG19-SG20-SG22-SG23-SG24-SG27-SG30
	0900	59 <b>GID</b>	M	1	1	Goods item details
	0970	60 <b>PIA</b>	D	1	2	Additional product id
	0980	61 <b>FTX</b>	D	1	2	Free text
	0980	62 <b>FTX</b>	D	9	2	Additional information
	1000	<b>SG19</b>	C	99	2	Additional supply chain actor
	1010	63 <b>NAD</b>	M	1	2	Name and address
	1040	<b>SG20</b>	D	1	2	MEA
	1050	64 <b>MEA</b>	M	1	2	Measurements
	1100	<b>SG22</b>	C	9	2	RFF
	1110	65 <b>RFF</b>	M	1	2	Reference
	1130	<b>SG23</b>	O	99	2	PCI
	1140	66 <b>PCI</b>	M	1	2	Package identification
	1180	<b>SG24</b>	D	99	2	Supporting documents
	1190	67 <b>DOC</b>	M	1	2	Document/message details
	1260	<b>SG27</b>	D	9999	2	SGP
	1270	68 <b>SGP</b>	M	1	2	Split goods placement
	1410	<b>SG30</b>	C	99	2	DGS-FTX
	1420	69 <b>DGS</b>	M	1	2	Dangerous goods
	1430	70 <b>FTX</b>	C	1	3	Free text
	1550	<b>SG35</b>	C	9999	1	EQD-SEL
	1560	71 <b>EQD</b>	M	1	1	Equipment details
	1610	72 <b>SEL</b>	C	99	2	Seal number
	1870	73 <b>UNT</b>	M	1	0	Message trailer
	0000	74 <b>UNZ</b>	M	1	0	Interchange trailer

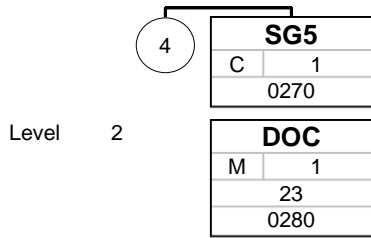


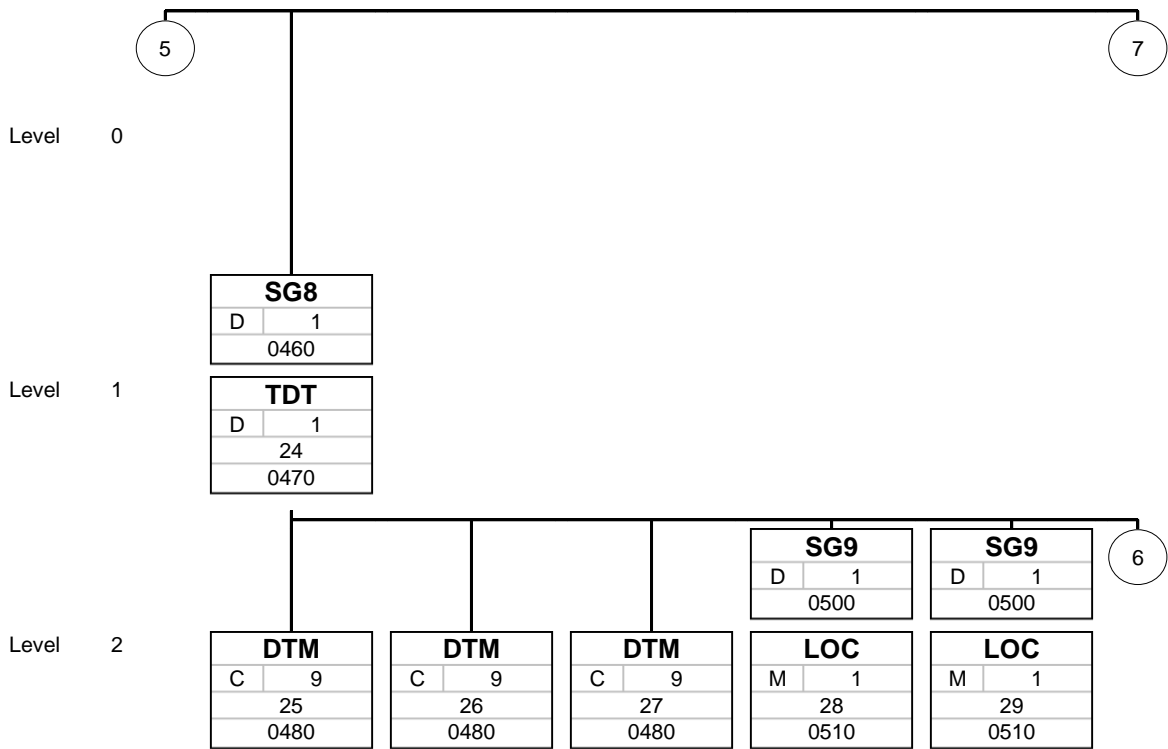


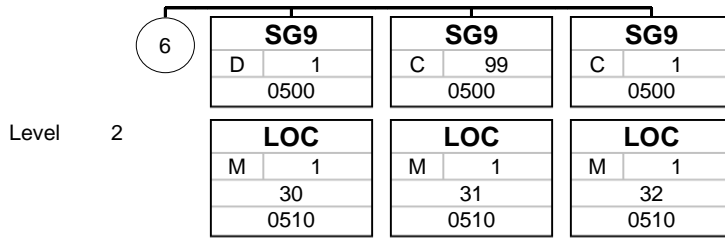


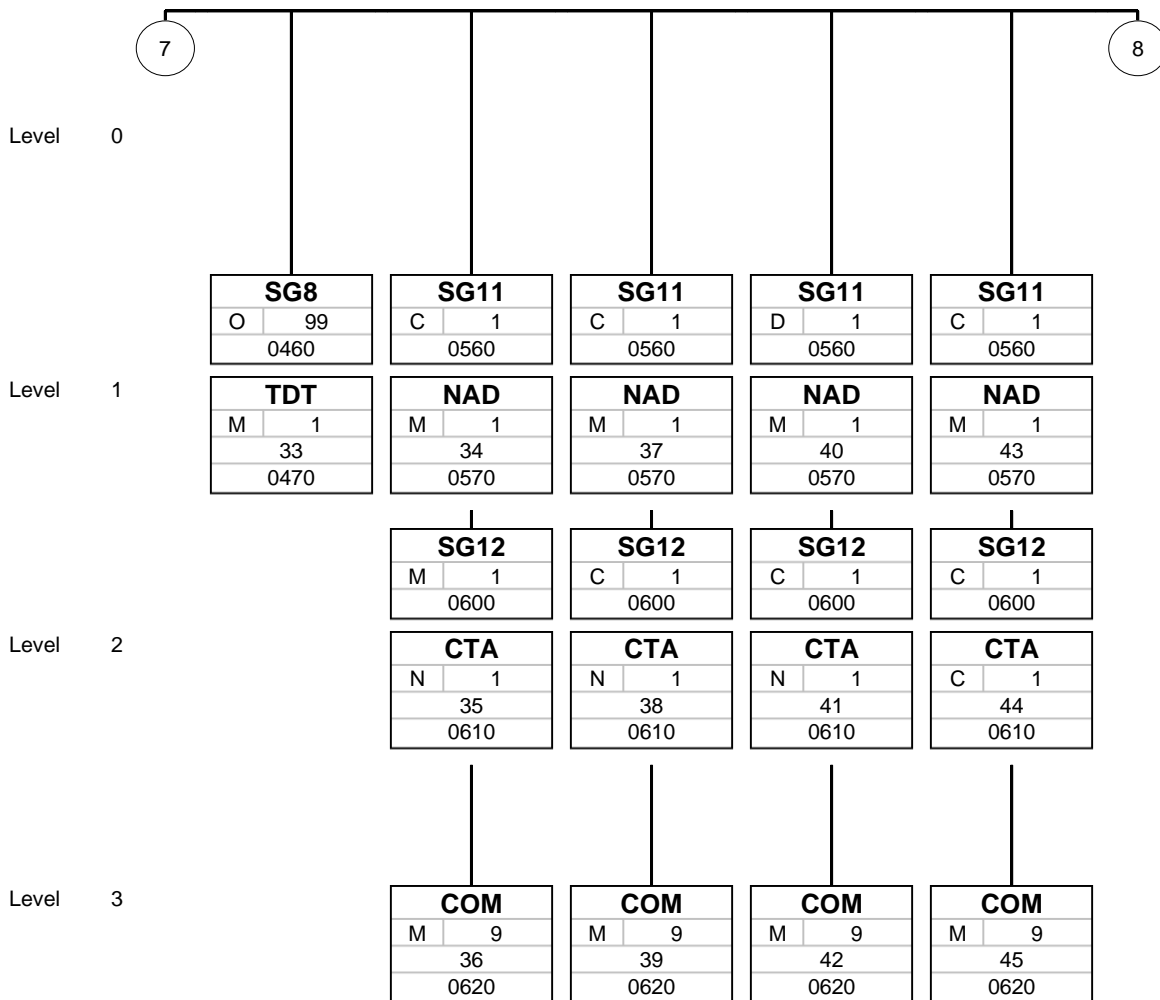


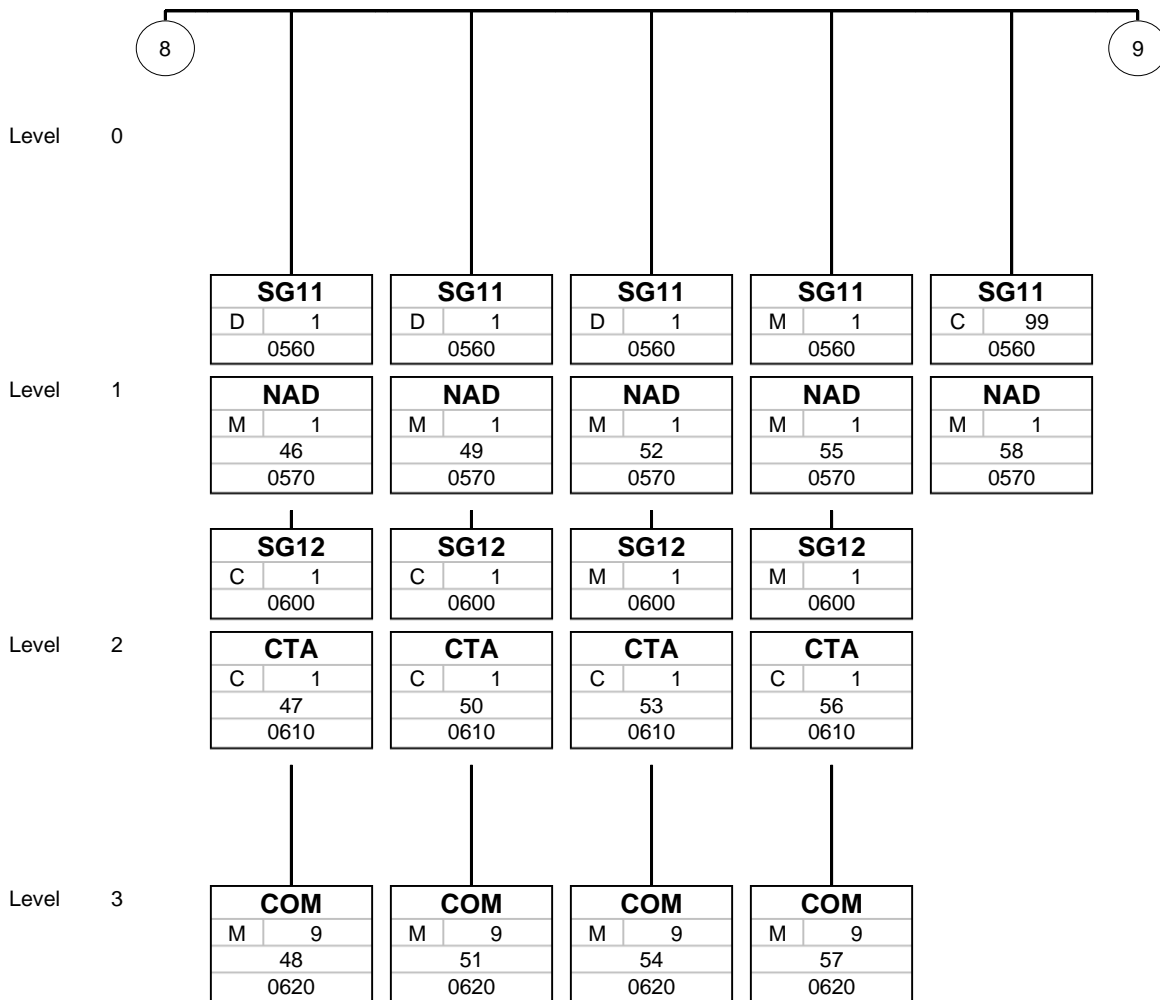


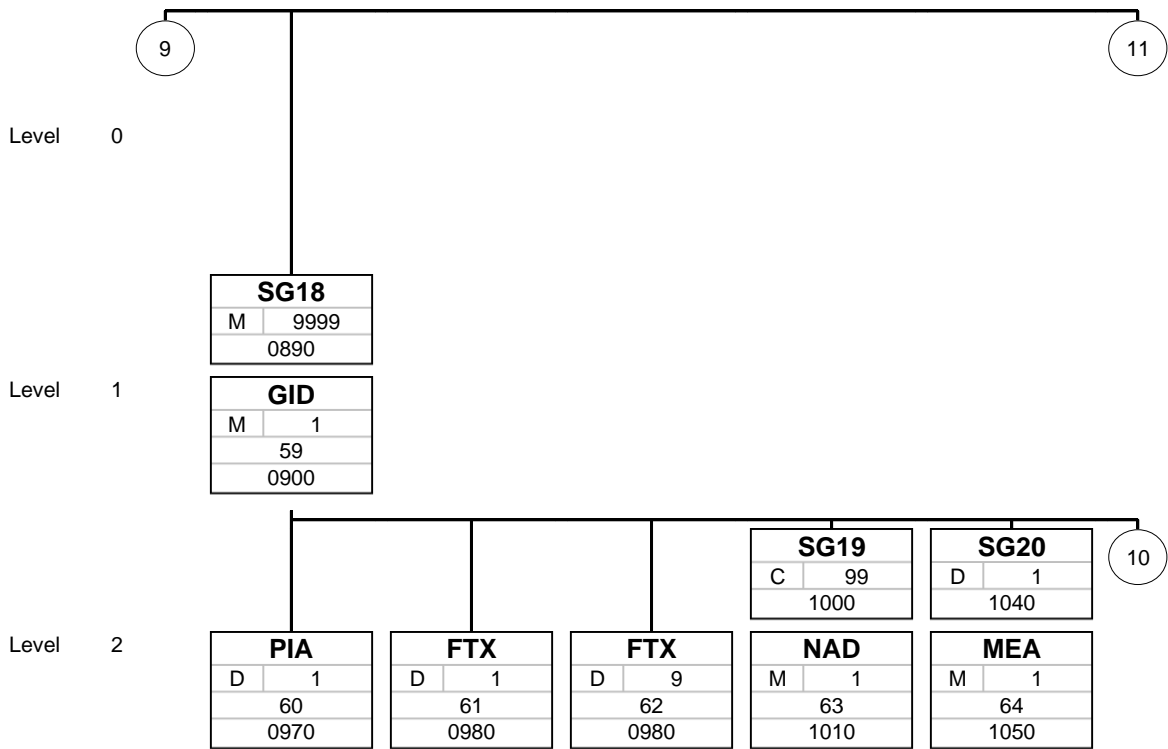


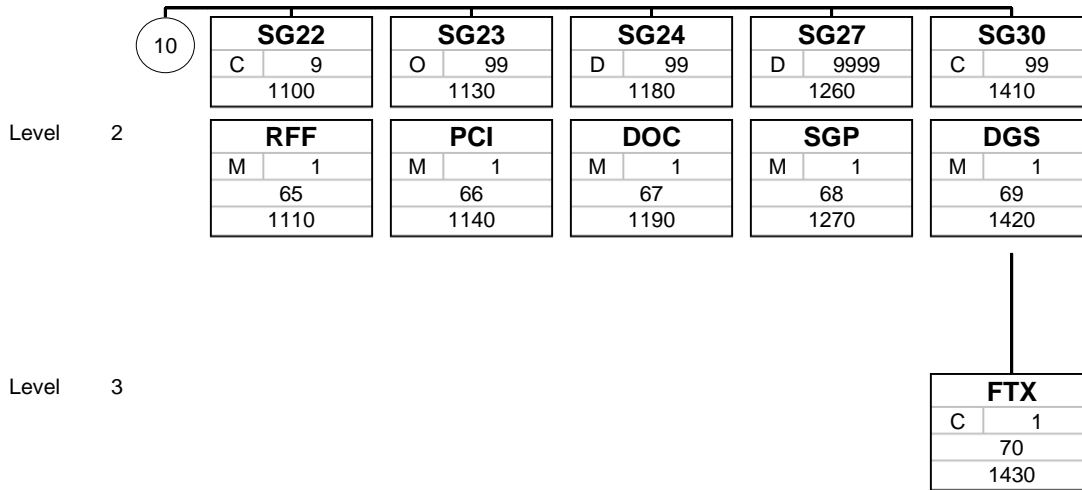


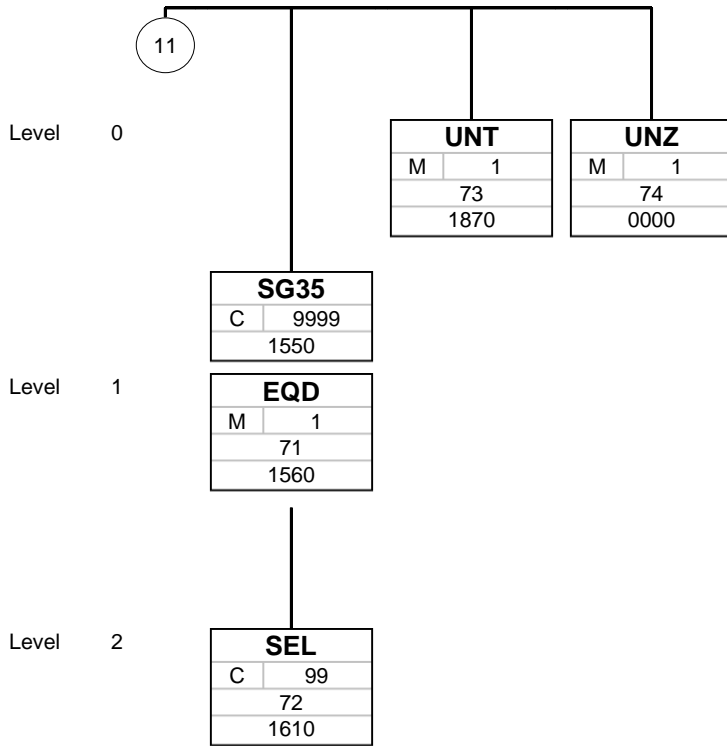














Counter	No	Tag	St	MaxOcc	Level	Name
0000	1	<b>UNA</b> ( 1 )	C	1	0	Service string advice

Standard			Implementation	
Tag	Name	St Format	St Format	Usage / Remark
UNA				
UNA1	Component data element separator	M an1	M an1	
UNA2	Data element separator	M an1	M an1	
UNA3	Decimal notation	M an1	M an1	
UNA4	Release indicator	M an1	M an1	
UNA5	Reserved for future use	M an1	M an1	
UNA6	Segment terminator	M an1	M an1	

**Example:**

UNA:+. ? '

Counter	No	Tag	St	MaxOcc	Level	Name
0000	2	<b>UNB</b> ( 1 )	M	1	0	Interchange header

Standard			Implementation	
Tag	Name	St Format	St Format	Usage / Remark
UNB				
S001	Syntax identifier	M	M	
0001	Syntax identifier	M a4	M a4	
0002	Syntax version number	M n1	M n1	
S002	Interchange sender	M	M	
0004	Sender identification	M an..35	M an..35	<b>Description:</b> DAKOSY Participant Code of the sending party
0007	Partner identification code qualifier	C an..4	N	Not used
0008	Address for reverse routing	C an..14	N	Not used
S003	Interchange recipient	M	M	
0010	Recipient identification	M an..35	M an..35	<b>Description:</b> One of DAKOSY's own participant codes will be used here. The exact code used is to be determined.
0007	Partner identification code qualifier	C an..4	N	Not used
0014	Routing address	C an..14	N	Not used
S004	Date/time of preparation	M	M	
0017	Date of preparation	M n6	M n6	
0019	Time of preparation	M n4	M n4	
0020	Interchange control reference	M an..14	M an..14	<b>Description:</b> A unique reference number identifying this EDIFACT interchange.
S005	Recipient's reference, password	C	N	
0022	Recipient's reference/password	M an..14	N	Not used
0025	Recipient's reference/password qualifier	C an2	N	Not used
0026	Application reference	C an..14	N	Not used
0029	Processing priority code	C a1	N	Not used
0031	Acknowledgement request	C n1	N	Not used
0032	Communications agreement ID	C an..35	N	Not used
0035	Test indicator	C n1	C n1	<b>Description:</b> Test indicator. If this field is submitted and has a value '1', the message will be treated as a test message.

**Example:**

UNB+UNOC:3+CARR+DAK+230123:1707+2023012310000+++++1'

Counter	No	Tag	St	MaxOcc	Level	Name
0010	3	<b>UNH</b> ( 1 )	M	1	0	Message header

Standard			Implementation	
Tag	Name	St Format	St Format	Usage / Remark
UNH				
0062	Message reference number	M an..14	M an..14	<b>Description:</b> Unique technical reference identifying this EDIFACT message
S009	Message identifier	M	M	
0065	Message type	M an..6	M an..6	
0052	Message version number	M an..3	M an..3	
0054	Message release number	M an..3	M an..3	
0051	Controlling agency	M an..2	M an..2	
0057	Association assigned code	C an..6	C an..6	<b>Description:</b> Used to indicate the specification version used for this message. Format: ICS2[Major][Minor], e.g. ICS210 for version 1.0
0068	Common access reference	C an..35	N	Not used
S010	Status of the transfer	C	N	
0070	Sequence of transfers	M n..2	N	Not used
0073	First and last transfer	C a1	N	Not used

**Example:**

UNH+20100122171055+IFTMCS:D:00B:UN:ICS210'

Counter	No	Tag	St	MaxOcc	Level	Name
0020	4	<b>BGM</b> ( 1 )	M	1	0	Beginning of message

Standard			Implementation	
Tag	Name	St Format	St Format	Usage / Remark
BGM				
C002	Document/message name	C	M	
1001	Document name code	C an..3	M an..3	<b>355 Eingangs-SumA (Entry Summary Declaration)</b>
1131	Code list identification code	C an..17	N	Not used
3055	Code list responsible agency code	C an..3	N	Not used
1000	Document name	C an..35	N	Not used
C106	Document/message identification	C	C	
1004	Document identifier	C an..35	M an..22	<b>Description:</b> For original messages (BGM.1225 = '9') this value is taken as the Local Reference Number (LRN).  Notes on the LRN:  Unique reference assigned by the message sender in order to link the message with his inhouse system. The LRN will be sent back in any customs response messages. Definition accd. TAXUD: "The Local Reference Number (LRN)/Diversion LRN/Arrival LRN shall be a number/identifier allocated by the sending TRADER for a specific transaction (ENS, Arrival notification). It shall be unique per Trader sending the transaction."
1056	Version identifier	C an..9	N	Not used
1060	Revision identifier	C an..6	N	Not used
1225	Message function code	C an..3	M an..3	<b>1 Cancellation / Invalidation</b> <b>5 Update / Amendment</b> <b>9 Original</b>
4343	Response type code	C an..3	N	Not used

**Example:**

BGM+355+LRN202301231234+9'

Counter	No	Tag	St	MaxOcc	Level	Name
0050	5	<b>DTM</b> ( 1 )	M	1	1	Message Creation Date

Standard			Implementation	
Tag	Name	St Format	St Format	Usage / Remark
DTM				
C507	Date/time/period	M	M	
2005	Date or time or period function code qualifier	M an..3	M an..3	<b>137 Document/message date/time</b>
2380	Date or time or period value	C an..35	M an..35	<b>Description:</b> Message creation date
2379	Date or time or period format code	C an..3	C an..3	<b>203 CCYYMMDDHHMM</b>

**Example:**

DTM+137:202303051200:203'

Counter	No	Tag	St	MaxOcc	Level	Name
0100	6	<b>CNT</b> ( 1 )	M	1	1	Total Gross Mass

Standard			Implementation	
Tag	Name	St Format	St Format	Usage / Remark
CNT				
C270	Control	M	M	
6069	Control total type code qualifier	M an..3	M an..3	<b>7 Total gross weight</b> <i>Description:</i> The total gross weight should be equal to the sum of the gross weights of all goods items (i.e. the sum of all GID/MEA+AAE+G values)
6066	Control total value	M n..18	M an..11	<i>Description:</i> Total Gross Weight of this shipment. Format: Max 11 digits, incl. up to 3 fractional digits.
6411	Measurement unit code	C an..3	M an..3	<b>KGM kilogram</b>

**Example:**

CNT+7:9:KGM'

Counter	No	Tag	St	MaxOcc	Level	Name
---------	----	-----	----	--------	-------	------

0120      **SG1** ( 1 )      D      1      1      **Addressed member state**

The addressed member state is the country of the customs office of first entry (COFE)

0130      7      **LOC** ( 1 )      M      1      1      **Addressed member state**

Standard			Implementation	
Tag	Name	St Format	St Format	Usage / Remark
LOC				
3227	Location function code qualifier	M an..3	M an..3	<b>AMS</b> Addressed member state 25 Country 79 Place/port of first entry 89 Place of registration 96 Place of lodgement of documents 135 Place of entry (Customs) 188 Filing location ZZZ Mutually defined
C517	Location identification	C	M	
3225	Location name code	C an..25	M a2	<b>Description:</b> CL717: Country code (ICS2 MS)
1131	Code list identification code	C an..17	N	Not used
3055	Code list responsible agency code	C an..3	N	Not used
3224	Location name	C an..256	N	Not used
C519	Related location one identification	C	N	
3223	First related location name code	C an..25	N	Not used
1131	Code list identification code	C an..17	N	Not used
3055	Code list responsible agency code	C an..3	N	Not used
3222	First related location name	C an..70	N	Not used
C553	Related location two identification	C	N	
3233	Second related location name code	C an..25	N	Not used
1131	Code list identification code	C an..17	N	Not used
3055	Code list responsible agency code	C an..3	N	Not used
3232	Second related location name	C an..70	N	Not used
5479	Relation code	C an..3	N	Not used

**Example:**  
LOC+AMS+DE'

Counter	No	Tag	St	MaxOcc	Level	Name
0120		<b>SG1</b> ( 2 )	D	1	1	Customs office of first entry
0130	8	<b>LOC</b> ( 1 )	M	1	1	Customs office of first entry

Standard			Implementation	
Tag	Name	St Format	St Format	Usage / Remark
LOC				
3227	Location function code qualifier	M an..3	M an..3	<b>41 Customs office of entry</b>
C517	Location identification	C	M	
3225	Location name code	C an..25	C an8	<b>Description:</b> Reference number <b>Description:</b> This attribute cannot be amended.
1131	Code list identification code	C an..17	N	Not used
3055	Code list responsible agency code	C an..3	N	Not used
3224	Location name	C an..256	N	Not used
C519	Related location one identification	C	N	
3223	First related location name code	C an..25	N	Not used
1131	Code list identification code	C an..17	N	Not used
3055	Code list responsible agency code	C an..3	N	Not used
3222	First related location name	C an..70	N	Not used
C553	Related location two identification	C	N	
3233	Second related location name code	C an..25	N	Not used
1131	Code list identification code	C an..17	N	Not used
3055	Code list responsible agency code	C an..3	N	Not used
3232	Second related location name	C an..70	N	Not used
5479	Relation code	C an..3	N	Not used

**Example:**

LOC+41+DE001234'



Counter	No	Tag	St	MaxOcc	Level	Name
0150		<b>SG2 ( 1 )</b>	C	1	1	Method of payment
0160	9	<b>TOD ( 1 )</b>	M	1	1	Method of payment

Mandatory for F10, F11, F12, F13, F14, F15

Standard			Implementation	
Tag	Name	St Format	St Format	Usage / Remark
TOD				
4055	Delivery or transport terms function code	C an..3	N	Not used
4215	Transport charges payment method code	C an..3	M a1	<b>Description:</b> Method of payment <b>A Cash</b> <b>B Credit Card</b> <b>C Cheque</b> <b>D Other</b> <b>H electronic funds transfer</b> <b>Y Account holder with carrier</b> <b>Z not prepaid</b>
C100	Terms of delivery or transport	C	N	
4053	Delivery or transport terms description code	C an..3	N	Not used
1131	Code list identification code	C an..17	N	Not used
3055	Code list responsible agency code	C an..3	N	Not used
4052	Delivery or transport terms description	C an..70	N	Not used
4052	Delivery or transport terms description	C an..70	N	Not used

**Example:**

TOD++Z'

Counter	No	Tag	St	MaxOcc	Level	Name
0180		<b>SG3</b> ( 1 )	D	1	1	Referral request reference
0190	10	<b>RFF</b> ( 1 )	M	1	1	Referral request reference

Standard			Implementation	
Tag	Name	St Format	St Format	Usage / Remark
RFF				
C506	Reference	M	M	
1153	Reference code qualifier	M an..3	M an..3	<b>RRR Referral request reference</b>
1154	Reference identifier	C an..70	M an..17	<b>Description:</b> In case of RFI or RFS the requested information can be sent via amendment of the ICS2 application. In this case the referral request reference has to be sent, so that the amendment can be assigned to the correspondig RFI/RFS.
1156	Document line identifier	C an..6	N	Not used
4000	Reference version identifier	C an..35	N	Not used
1060	Revision identifier	C an..6	N	Not used

**Example:**

RFF+RRR:HJSC1234740'

Counter	No	Tag	St	MaxOcc	Level	Name
0180		<b>SG3</b> ( 2 )	D	1	1	MRN of ENS declaration
0190	11	<b>RFF</b> ( 1 )	M	1	1	MRN of ENS declaration

Standard			Implementation	
Tag	Name	St Format	St Format	Usage / Remark
RFF				
C506	Reference	M	M	
1153	Reference code qualifier	M an..3	M an..3	<p><b>Description:</b> Qualifier MRN, despite having a different meaning in UN/EDIFACT, is used for designation of the MRN number within the IFTMCS. Submission of the MRN number from an existing Entry Summary Declaration is mandatory if the IFTMCS updates that declaration.</p> <p><b>MRN Mailing reference number</b></p> <p><b>Description:</b> The MRN shall be generated using the following structure:                      Last two digits of year of the registration (n2)                      Identifier of the country where the message is addressed to (a2)                      Unique identifier per year and country (an11)                      Trader interface identifier (a1)                      Procedure identifier (a1)                      Check digit (an1)</p>
1154	Reference identifier	C an..70	C an18	<p><b>Description:</b> When sending updates for an ENS, this field has to be filled in with the MRN number from the original ENS</p>
1156	Document line identifier	C an..6	N	Not used
4000	Reference version identifier	C an..35	N	Not used
1060	Revision identifier	C an..6	N	Not used

**Example:**

RFF+MRN:23DE0200003TLUJAT7'

Counter	No	Tag	St	MaxOcc	Level	Name
0180		<b>SG3</b> ( 3 )	M	1	1	Specific circumstance indicator
0190	12	<b>RFF</b> ( 1 )	M	1	1	Special circumstance indicator

Standard			Implementation	
Tag	Name	St Format	St Format	Usage / Remark
RFF				
C506	Reference	M	M	
1153	Reference code qualifier	M an..3	M an..3	<b>SC Specific circumstance indicator</b> <i>Description:</i> This attribute cannot be amended.
1154	Reference identifier	C an..70	M an3	<i>Description:</i> Message name of the intended application to STI. Please have in mind that the IFTMCS is only usable for see freight messages as F10-F17 and F45. <b>F10 Sea and inland waterways - Complete dataset - Straight bill of lading</b> <b>F11 Sea and inland waterways - Complete dataset</b> <b>F12 Sea and inland waterways - Partial dataset - Master bill of lading only</b> <b>F13 Sea and inland waterways - Partial dataset - Straight bill of lading only</b> <b>F14 Sea and inland waterways - Partial dataset - House bill of lading only</b> <b>F15 Sea and inland waterways - Partial dataset - House bill of lading</b> <b>F16 Sea and inland waterways - Partial dataset - Necessary information required</b> <b>F17 Sea and inland waterways - Partial dataset - Necessary information required</b> <b>F20 Air cargo (general) - Complete dataset lodged pre-loading</b> <b>F21 Air cargo (general) - Partial dataset - Master air waybill lodged pre-arrival</b> <b>F22 Air cargo (general) - Partial dataset - House air waybill lodged pre-arrival</b> <b>F23 Air cargo (general) - Partial dataset - Minimum dataset lodged pre-loading</b> <b>F24 Air cargo (general) - Partial dataset - Minimum dataset lodged pre-loading</b> <b>F25 Air cargo (general) - Partial dataset - Master air waybill reference number lodged pre-loading</b> <b>F26 Air cargo (general) - Partial dataset - Minimum dataset lodged pre-loading</b> <b>F27 Air cargo (general) - Complete dataset lodged pre-arrival</b> <b>F28 Air cargo (general) - Complete dataset lodged pre-loading - Direct air waybill</b> <b>F29 Air cargo (general) - Complete dataset lodged pre-loading - Direct air waybill</b> <b>F30 Express consignments - Complete dataset lodged pre-arrival</b> <b>F31 Express consignments - Complete dataset lodged pre-arrival</b> <b>F32 Express consignments - Partial dataset - Minimum dataset lodged pre-loading</b> <b>F33 Express consignments - Partial dataset - House air waybill lodged pre-arrival</b> <b>F34 Express consignments - on road - Complete dataset lodged pre-arrival</b> <b>F40 Postal consignments - Partial dataset - Road Master bill of lading</b> <b>F41 Postal consignments - Rail master transport document information</b> <b>F42 Postal consignments - Master air waybill containing necessary postal air waybill</b>

		Standard	Implementation	
Tag	Name	St Format	St Format	Usage / Remark
				<b>information</b> <b>F43 Postal consignments - Minimum dataset lodged pre-loading</b> <b>F44 Postal consignments - Receptacle identification number lodged pre-loading</b> <b>F45 Postal consignments - Partial dataset - Sea and inland waterways</b> <b>F50 Road mode of transport</b> <b>F51 Rail mode of transport</b>
1156	Document line identifier	C an..6	N	Not used
4000	Reference version identifier	C an..35	N	Not used
1060	Revision identifier	C an..6	N	Not used

**Example:**

RFF+SC:F10'

Counter	No	Tag	St	MaxOcc	Level	Name
---------	----	-----	----	--------	-------	------

0180      **SG3** ( 4 )      D      1      1      **Reentry indicator**

For a detailed description of when and how to use Re-entry please see the "ICS2 Operational guidance for maritime..."

0190    13      **RFF** ( 1 )      M      1      1      **Reentry indicator**

Standard			Implementation	
Tag	Name	St Format	St Format	Usage / Remark
RFF				
C506	Reference	M	M	
1153	Reference code qualifier	M an..3	M an..3	<b>REI Reentry indicator</b>
1154	Reference identifier	C an..70	C n1	<b>0 No</b> <b>1 Yes</b>
1156	Document line identifier	C an..6	N	Not used
4000	Reference version identifier	C an..35	N	Not used
1060	Revision identifier	C an..6	N	Not used

**Example:**

RFF+REI:0'

Counter	No	Tag	St	MaxOcc	Level	Name
0180		<b>SG3</b> ( 5 )	D	1	1	<b>Split consignment indicator</b>
0190	14	<b>RFF</b> ( 1 )	D	1	1	<b>Split consignment indicator</b>

The “Split consignment indicator” is a data element part of the ENS filings submitting the master transport information. It’s relevant for F10, F11, F12 and F13. It is a True/False field which is used for the cases when part of the cargo covered by a single ENS cannot be all loaded on the same vessel as initially planned. The content of the ENS is not split as per the loaded goods since it is very difficult to distinguish the loaded and the non-loaded goods. However, an ENS still needs to accompany the goods that were not delivered as planned, when these finally do enter the customs territory.

To facilitate the flow of goods and avoid all the filing parties having to re-submit their ENS particulars, the carrier is enabled to lodge its original master level ENS filing with the “Split consignment indicator” set to “True”. For more details see the ICS2 Operational Guidance.

Standard			Implementation	
Tag	Name	St Format	St Format	Usage / Remark
RFF				
C506	Reference	M	M	
1153	Reference code qualifier	M an..3	M an..3	<b>SCI Split consignment</b>
1154	Reference identifier	C an..70	C an18	<b>Description:</b> previous MRN is mandatory if Split Consignment indicator is set
1156	Document line identifier	C an..6	N	Not used
4000	Reference version identifier	C an..35	N	Not used
1060	Revision identifier	C an..6	N	Not used

**Example:**

RFF+SCI:23DE12345678901234'

Counter	No	Tag	St	MaxOcc	Level	Name
0180		<b>SG3</b> ( 6 )	D	1	1	Container indicator
0190	15	<b>RFF</b> ( 1 )	D	1	1	Container indicator

Standard			Implementation	
Tag	Name	St Format	St Format	Usage / Remark
RFF				
C506	Reference	M	M	
1153	Reference code qualifier	M an..3	M an..3	<b>CI Container indicator</b>
1154	Reference identifier	C an..70	M n1	<b>0 Goods not transported in containers</b> <b>1 Goods transported in containers</b>
1156	Document line identifier	C an..6	N	Not used
4000	Reference version identifier	C an..35	N	Not used
1060	Revision identifier	C an..6	N	Not used

**Example:**  
RFF+CI:1'



Counter	No	Tag	St	MaxOcc	Level	Name
---------	----	-----	----	--------	-------	------

0180      **SG3 ( 7 )**      D      99      1      **Supplementary declarant**

In messages of type F12 this is M, F15 it is O in F13/F14 the following rule applies  
 IF 'PLACE OF DELIVERY/UNLOCODE' 2 first characters or 'PLACE OF DELIVERY/Country' refers to EU MS,  
 THEN this class is M,  
 ELSE it is O.  
 In other messages it is N.

In F13 and F12 a maximum of one supplementary declarant is allowed. In F14 and F15 up to 99 supplementary declarants are allowed.

0190    16      **RFF ( 1 )**      D      1      1      **Supplementary declarant**

Standard			Implementation	
Tag	Name	St Format	St Format	Usage / Remark
RFF				
C506	Reference	M	M	
1153	Reference code qualifier	M an..3	M an..3	<b>SUD Supplementary declarant</b>
1154	Reference identifier	C an..70	M an..17	<b>Description:</b> EORI is mandatory
1156	Document line identifier	C an..6	C an..3	<b>Description:</b> Supplementary filing type <b>1 House level filing</b> <b>2 Sub-house level filing</b>
4000	Reference version identifier	C an..35	N	Not used
1060	Revision identifier	C an..6	N	Not used

**Example:**

RFF+SUD:DE987654:1'

Counter	No	Tag	St	MaxOcc	Level	Name
0180		<b>SG3</b> ( 8 )	D	1	1	Reference number / UCR
0190	17	<b>RFF</b> ( 1 )	D	1	1	Reference number / UCR

Standard			Implementation	
Tag	Name	St Format	St Format	Usage / Remark
RFF				
C506	Reference	M	M	
1153	Reference code qualifier	M an..3	M an..3	<b>UCR Reference number / UCR</b>
1154	Reference identifier	C an..70	C an..35	
1156	Document line identifier	C an..6	N	Not used
4000	Reference version identifier	C an..35	N	Not used
1060	Revision identifier	C an..6	N	Not used

**Example:**

RFF+UCR:E4712'

Counter	No	Tag	St	MaxOcc	Level	Name
0180		<b>SG3</b> ( 9 )	D	999	1	Receptacle / REC
0190	18	<b>RFF</b> ( 1 )	D	1	1	Receptacle / REC

Standard			Implementation	
Tag	Name	St Format	St Format	Usage / Remark
RFF				
C506	Reference	M	M	
1153	Reference code qualifier	M an..3	M an..3	<b>REC Receptacle reference</b>
1154	Reference identifier	C an..70	C an..35	
1156	Document line identifier	C an..6	N	Not used
4000	Reference version identifier	C an..35	N	Not used
1060	Revision identifier	C an..6	N	Not used

**Example:**

RFF+REC:RECEPTACLE1'

Counter	No	Tag	St	MaxOcc	Level	Name
0210		<b>SG4 ( 1 )</b>	C	1	1	<b>GOR-FTX-SG5</b>
0220	19	<b>GOR ( 1 )</b>	M	1	1	<b>Governmental requirements</b>

This segment has to be given in order to be able to use the following segments

Standard			Implementation	
Tag	Name	St Format	St Format	Usage / Remark
GOR				
8323	Transport movement code	C an..3	N	Not used
C232	Government action	C	N	
9415	Government agency identification code	C an..3	N	Not used
9411	Government involvement code	C an..3	N	Not used
9417	Government action code	C an..3	N	Not used
9353	Government procedure code	C an..3	N	Not used
C232	Government action	C	N	
9415	Government agency identification code	C an..3	N	Not used
9411	Government involvement code	C an..3	N	Not used
9417	Government action code	C an..3	N	Not used
9353	Government procedure code	C an..3	N	Not used
C232	Government action	C	N	
9415	Government agency identification code	C an..3	N	Not used
9411	Government involvement code	C an..3	N	Not used
9417	Government action code	C an..3	N	Not used
9353	Government procedure code	C an..3	N	Not used
C232	Government action	C	N	
9415	Government agency identification code	C an..3	N	Not used
9411	Government involvement code	C an..3	N	Not used
9417	Government action code	C an..3	N	Not used
9353	Government procedure code	C an..3	N	Not used

**Example:**

GOR

Counter	No	Tag	St	MaxOcc	Level	Name
0210		<b>SG4</b> ( 1 )	C	1	1	<b>GOR-FTX-SG5</b>
0260	20	<b>FTX</b> ( 1 )	C	99	2	<b>Additional information</b>

This should be provided, if available, either at CONSIGNMENT level or GOODS ITEM level. Where the same information is applicable to all Goods items in the same Consignment, it should be provided at CONSIGNMENT level only.

Standard			Implementation	
Tag	Name	St Format	St Format	Usage / Remark
FTX				
4451	Text subject code qualifier	M an..3	M an..3	<b>ACB Additional information</b>
4453	Free text function code	C an..3	N	Not used
C107	Text reference	C	C	
4441	Free text value code	M an..17	M an..17	<b>Description: Code</b> <b>10600 Consignee Unknown</b> <b>10900 ENS lodged together with customs</b> <b>declaration for low value consignments</b>
1131	Code list identification code	C an..17	N	Not used
3055	Code list responsible agency code	C an..3	N	Not used
C108	Text literal	C	C	
4440	Free text value	M an..512	M an..512	<b>Description: Text</b>
4440	Free text value	C an..512	N	Not used
4440	Free text value	C an..512	N	Not used
4440	Free text value	C an..512	N	Not used
4440	Free text value	C an..512	N	Not used
3453	Language name code	C an..3	N	Not used
4447	Free text format code	C an..3	N	Not used

**Example:**

FTX+ACB++10600'

Counter	No	Tag	St	MaxOcc	Level	Name
---------	----	-----	----	--------	-------	------

0270      **SG5** ( 1 )      C      99      2      **Supporting Documents**

This should be provided, if available, either at CONSIGNMENT level or GOODS ITEM level. Where the same information is applicable to all Goods items in the same Consignment, it should be provided at CONSIGNMENT level only.

0280    21      **DOC** ( 1 )      M      1      2      **Document/message details**

Supporting documents

Standard			Implementation	
Tag	Name	St Format	St Format	Usage / Remark
DOC				
C002	Document/message name	M	M	
1001	Document name code	C an..3	C an..3	<b>SD Supporting documents</b>
1131	Code list identification code	C an..17	N	Not used
3055	Code list responsible agency code	C an..3	N	Not used
1000	Document name	C an..35	C an..17	<b>Description:</b> Document type: CL013 Document type List of document types as published in CS/RD2
C503	Document/message details	C	C	
1004	Document identifier	C an..35	C an..70	<b>Description:</b> Reference number
1373	Document status code	C an..3	N	Not used
1366	Document source description	C an..70	N	Not used
3453	Language name code	C an..3	N	Not used
1056	Version identifier	C an..9	N	Not used
1060	Revision identifier	C an..6	N	Not used
3153	Communication medium type code	C an..3	N	Not used
1220	Document copies required quantity	C n..2	N	Not used
1218	Document originals required quantity	C n..2	N	Not used

**Example:**

DOC+SD:::A008+REF12345'

Counter	No	Tag	St	MaxOcc	Level	Name
0270		<b>SG5</b> ( 2 )	C	1	2	Transport document master
0280	22	<b>DOC</b> ( 1 )	M	1	2	Document/message details

Transport Document Master

Standard			Implementation	
Tag	Name	St Format	St Format	Usage / Remark
DOC				
C002	Document/message name	M	M	
1001	Document name code	C an..3	C an..3	<b>TDM Transport Document Master</b>
1131	Code list identification code	C an..17	N	Not used
3055	Code list responsible agency code	C an..3	N	Not used
1000	Document name	C an..35	M an4	<b>Description:</b> Document type <b>C625 Rhine Manifest</b> <b>C664 CN22 declaration according to Article 237 of the Regulation (ECC) No 2454/93</b> <b>C665 CN23 declaration according to Article 237 of the Regulation (ECC) No 2454/93</b> <b>N703 House waybill</b> <b>N704 Master bill of lading</b> <b>N705 Bill of lading</b> <b>N714 House bill of lading</b> <b>N720 Consignment note CIM</b> <b>N722 Road list - SMGS</b> <b>N730 Road consignment note</b> <b>N740 Air waybill</b> <b>N741 Master airwaybill</b> <b>N750 Movement by post including parcel post</b> <b>N760 Multimodal / combined transport document</b>
C503	Document/message details	C	C	
1004	Document identifier	C an..35	M an..70	<b>Description:</b> Document number <b>Description:</b> This attribute cannot be amended.
1373	Document status code	C an..3	N	Not used
1366	Document source description	C an..70	N	Not used
3453	Language name code	C an..3	N	Not used
1056	Version identifier	C an..9	N	Not used
1060	Revision identifier	C an..6	N	Not used
3153	Communication medium type code	C an..3	N	Not used
1220	Document copies required quantity	C n..2	N	Not used
1218	Document originals required quantity	C n..2	N	Not used

**Example:**

DOC+TDM:::N704+MBL12345'

Counter	No	Tag	St	MaxOcc	Level	Name
0270		<b>SG5 ( 3 )</b>	C	1	2	Transport Document House
0280	23	<b>DOC ( 1 )</b>	M	1	2	Transport Document House

Below a list of messages which use House BL and how many of them are allowed:

F11: up to 99999 HBLs

F14: up to 99 HBLs

F15: just one HBL

F16: just one HBL

Standard			Implementation	
Tag	Name	St Format	St Format	Usage / Remark
DOC				
C002	Document/message name	M	M	
1001	Document name code	C an..3	C an..3	<b>TDH Transport document house</b>
1131	Code list identification code	C an..17	N	Not used
3055	Code list responsible agency code	C an..3	N	Not used
1000	Document name	C an..35	C an4	<b>Description:</b> Document type <b>C624 Form 302</b> <b>C625 Rhine Manifest</b> <b>C664 CN22 declaration according to Article 237 of the Regulation (ECC) No 2454/93</b> <b>C665 CN22 declaration according to Article 237 of the Regulation (ECC) No 2454/93</b> <b>N703 House waybill</b> <b>N704 Master bill of lading</b> <b>N705 Bill of lading</b> <b>N714 House bill of lading</b> <b>N720 Consignment note CIM</b> <b>N722 Road list - SMGS</b> <b>N730 Road consignment note</b> <b>N740 Air waybill</b> <b>N741 Master airwaybill</b> <b>N750 Movement by post including parcel post</b> <b>N760 Multimodal / combined transport document</b>
C503	Document/message details	C	C	
1004	Document identifier	C an..35	C an..70	<b>Description:</b> Reference number <b>Description:</b> This attribute cannot be amended.
1373	Document status code	C an..3	N	Not used
1366	Document source description	C an..70	N	Not used
3453	Language name code	C an..3	N	Not used
1056	Version identifier	C an..9	N	Not used
1060	Revision identifier	C an..6	N	Not used
3153	Communication medium type code	C an..3	N	Not used
1220	Document copies required quantity	C n..2	N	Not used
1218	Document originals required quantity	C n..2	N	Not used

**Example:**

DOC+TDH:::N703+HBL12345'



Counter	No	Tag	St	MaxOcc	Level	Name
0460		<b>SG8</b> ( 1 )	D	1	1	Active border transport means
0470	24	<b>TDT</b> ( 1 )	D	1	1	Details of transport

Active border transport means, Mandatory except for cancellation, F16 and F17

Standard			Implementation	
Tag	Name	St Format	St Format	Usage / Remark
TDT				
8051	Transport stage code qualifier	M an..3	M an..3	<b>20 Main-carriage transport</b>
8028	Means of transport journey identifier	C an..17	O an..17	<b>Remark:</b> Voyage number: Will not be sent to STI but you can use it anyway to group your ENS by voyage.
C220	Mode of transport	C	D	
8067	Transport mode name code	C an..3	M n1	<b>1 Maritime transport</b> <b>2 Rail transport</b> <b>3 Road transport</b> <b>4 Air transport</b> <b>8 Inland water transport</b> <b>Remark:</b> This attribute cannot be amended.
8066	Transport mode name	C an..17	N	Not used
C228	Transport means	C	C	
8179	Transport means description code	C an..8	C an..4	<b>Type of means of transport</b> <b>Remark:</b> CL751 Type of Means of Transport <b>Description:</b> Type of means of transport crossing the border: codelist CL751
8178	Transport means description	C an..17	N	Not used
C040	Carrier	C	N	
3127	Carrier identifier	C an..17	N	Not used
1131	Code list identification code	C an..17	N	Not used
3055	Code list responsible agency code	C an..3	N	Not used
3128	Carrier name	C an..35	N	Not used
8101	Transit direction indicator code	C an..3	N	Not used
C401	Excess transportation information	C	N	
8457	Excess transportation reason code	M an..3	N	Not used
8459	Excess transportation responsibility code	M an..3	N	Not used
7130	Customer shipment authorisation identifier	C an..17	N	Not used
C222	Transport identification	C	M	
8213	Transport means identification name identifier	C an..9	M an..35	<b>Description:</b> Identification Number <b>Description:</b> This class/attribute cannot be amended. <b>Description:</b> When 'ACTIVE BORDER TRANSPORT MEANS/ Type of identification' is '10' this attribute must contain IMO ship identification number and its value must be made of the three letters "IMO" followed by a six-digit sequential unique number and a check digit. The check digit is calculated by multiplying each of the first six digits by a factor of 2 to 7 corresponding to their position from right to left. The rightmost digit of this sum is the check digit.  But it's also possible just to send the 7 digit IMO number. DAKOSY will add the "IMO" prefix. <b>Description:</b> When 'ACTIVE BORDER TRANSPORT MEANS/ Type of identification' is '80' this attribute must contain unique European Vessel Identification Number (ENI) and its value must have an eight digit

		Standard	Implementation	
Tag	Name	St Format	St Format	Usage / Remark
1131	Code list identification code	C an..17	M n2	format. <b>Description:</b> Type of Identification <b>Description:</b> When 'ACTIVE BORDER TRANSPORT MEANS/ Mode of transport' is '1' the value of this attribute must be '10'. <b>Description:</b> When 'ACTIVE BORDER TRANSPORT MEANS/ Mode of transport' is '8' the value of this attribute must be '80'. <b>Description:</b> Type of Identification <b>10 IMO Ship Identification Number</b> <b>20 Wagon Number</b> <b>21 Train Number</b> <b>30 Registration Number of the Road Vehicle</b> <b>31 Registration Number of the Road Trailer</b> <b>41 Registration Number of the Aircraft</b> <b>80 European Vessel Identification Number (ENI Code)</b>
3055	Code list responsible agency code	C an..3	N	Not used
8212	Transport means identification name	C an..35	N	Not used
8453	Transport means nationality code	C an..3	M a2	<b>Description:</b> Nationality
8281	Transport means ownership indicator code	C an..3	N	Not used

**Example:**

TDT+20++1+150++++IMO9598567:10:::AD'

Counter	No	Tag	St	MaxOcc	Level	Name
0460		<b>SG8</b> ( 1 )	D	1	1	Active border transport means
0480	25	<b>DTM</b> ( 1 )	C	9	2	Actual date and time of departure

Actual date and time of departure from the place where the goods were loaded onto the active means of transport which will carry them into the Union.

Actual or Estimated date and time of departure is mandatory for F10, F11, F12, F13. Not in use for House Filing ENS. Only Actual or Estimated date and time of departure is allowed in one message.

The 'Estimated date and time of arrival' cannot be earlier than the 'Actual date and time of departure' or 'Estimated date and time of departure'.

Standard			Implementation	
Tag	Name	St Format	St Format	Usage / Remark
DTM				
C507	Date/time/period	M	M	
2005	Date or time or period function code qualifier	M an..3	M an..3	<b>136 Departure date/time</b>
2380	Date or time or period value	C an..35	C an..35	<b>Description:</b> Actual date and time of departure
2379	Date or time or period format code	C an..3	C an..3	<b>203 CCYYMMDDHHMM</b>

**Example:**

DTM+136:202301011001:203'

Counter	No	Tag	St	MaxOcc	Level	Name
0460		<b>SG8</b> ( 1 )	D	1	1	Active border transport means
0480	26	<b>DTM</b> ( 2 )	C	9	2	Estimated date and time of departure

Estimated date and time of departure from the place where the goods were loaded onto the active means of transport which will carry them into the Union.

Actual or Estimated date and time of departure is mandatory for F10, F11, F12, F13. Not in use for House Filing ENS. Only Actual or Estimated date and time of departure is allowed in one message.

The 'Estimated date and time of arrival' cannot be earlier than the 'Actual date and time of departure' or 'Estimated date and time of departure'.

Standard			Implementation	
Tag	Name	St Format	St Format	Usage / Remark
DTM				
C507	Date/time/period	M	M	
2005	Date or time or period function code qualifier	M an..3	M an..3	<b>133 Departure date/time, estimated</b>
2380	Date or time or period value	C an..35	C an..35	<b>Description:</b> Estimated date and time of departure
2379	Date or time or period format code	C an..3	C an..3	<b>203 CCYYMMDDHHMM</b>

**Example:**

DTM+133:202301011001:203'

Counter	No	Tag	St	MaxOcc	Level	Name
0460		<b>SG8</b> ( 1 )	D	1	1	Active border transport means
0480	27	<b>DTM</b> ( 3 )	C	9	2	Estimated date and time of arrival

Estimated date and time of arrival at first port of EU entry.

Mandatory for F10, F11, F12, F13. Not in use for House Filing ENS.

The 'Estimated date and time of arrival' cannot be earlier than the 'Actual date and time of departure' or 'Estimated date and time of departure'.

Standard			Implementation	
Tag	Name	St Format	St Format	Usage / Remark
DTM				
C507	Date/time/period	M	M	
2005	Date or time or period function code qualifier	M an..3	M an..3	<b>132 Arrival date/time, estimated</b>
2380	Date or time or period value	C an..35	C an..35	<b>Description:</b> Estimated date and time of arrival
2379	Date or time or period format code	C an..3	C an..3	<b>203 CCYMMDDHHMM</b>

**Example:**

DTM+132:202301011001:203'

Counter	No	Tag	St	MaxOcc	Level	Name
---------	----	-----	----	--------	-------	------

0500      **SG9** ( 1 )      D      1      2      **Place of unloading**

Mandatory for F10, F11 (on master level), F12 and F13.

0510    28      **LOC** ( 1 )      M      1      2      **Place/location identification**

Standard			Implementation	
Tag	Name	St Format	St Format	Usage / Remark
LOC				
3227	Location function code qualifier	M an..3	M an..3	<b>11 Place/port of discharge</b>
C517	Location identification	C	C	
3225	Location name code	C an..25	D an..17	<b>Description:</b> UNLoCode
1131	Code list identification code	C an..17	N	Not used
3055	Code list responsible agency code	C an..3	N	Not used
3224	Location name	C an..256	O an..35	<b>Description:</b> Location <b>Description:</b> IF 'PLACE OF UNLOADING/UNLOCODE' is not provided, THEN this attribute/class is M, ELSE it is not used.
C519	Related location one identification	C	N	
3223	First related location name code	C an..25	N	Not used
1131	Code list identification code	C an..17	N	Not used
3055	Code list responsible agency code	C an..3	N	Not used
3222	First related location name	C an..70	N	Not used
C553	Related location two identification	C	C	
3233	Second related location name code	C an..25	C a2	<b>Description:</b> Country <b>Description:</b> IF 'PLACE OF UNLOADING/UNLOCODE' is not provided, THEN this attribute/class is M, ELSE it is not used.
1131	Code list identification code	C an..17	N	Not used
3055	Code list responsible agency code	C an..3	N	Not used
3232	Second related location name	C an..70	N	Not used
5479	Relation code	C an..3	N	Not used

**Example:**

LOC+11+DEHAM:::HAMBURG++DE'

Counter	No	Tag	St	MaxOcc	Level	Name
---------	----	-----	----	--------	-------	------

0500      **SG9** ( 2 )      D      1      2      **Place of loading**

Mandatory for F10, F11 (on master level), F12 and F13.

0510    29      **LOC** ( 1 )      M      1      2      **Place/location identification**

Standard			Implementation	
Tag	Name	St Format	St Format	Usage / Remark
LOC				
3227	Location function code qualifier	M an..3	M an..3	<b>9 Place/port of loading</b>
C517	Location identification	C	M	
3225	Location name code	C an..25	D a..17	<b>Description:</b> UNLoCode
1131	Code list identification code	C an..17	N	Not used
3055	Code list responsible agency code	C an..3	N	Not used
3224	Location name	C an..256	O an..35	<b>Description:</b> Location <b>Description:</b> IF 'PLACE OF LOADING/UNLOCODE' is not provided, THEN this attribute/class is M, ELSE it is not used.
C519	Related location one identification	C	N	
3223	First related location name code	C an..25	N	Not used
1131	Code list identification code	C an..17	N	Not used
3055	Code list responsible agency code	C an..3	N	Not used
3222	First related location name	C an..70	N	Not used
C553	Related location two identification	C	C	
3233	Second related location name code	C an..25	C a2	<b>Description:</b> Country <b>Description:</b> IF 'PLACE OF LOADING/UNLOCODE' is not provided, THEN this attribute/class is M, ELSE it is not used.
1131	Code list identification code	C an..17	N	Not used
3055	Code list responsible agency code	C an..3	N	Not used
3232	Second related location name	C an..70	N	Not used
5479	Relation code	C an..3	N	Not used

**Example:**

LOC+9+CNHKG:::HONG KONG++CN'

Counter	No	Tag	St	MaxOcc	Level	Name
---------	----	-----	----	--------	-------	------

0500      **SG9** ( 3 )      D      1      2      **Place of delivery**

Mandatory for F10, F11 (master and house), F12, F13, F14, F15

0510    30      **LOC** ( 1 )      M      1      2      **Place of delivery**

Standard			Implementation	
Tag	Name	St Format	St Format	Usage / Remark
LOC				
3227	Location function code qualifier	M an..3	M an..3	<b>7 Place of delivery</b>
C517	Location identification	C	C	
3225	Location name code	C an..25	C a..17	<b>Description:</b> UNLoCode
1131	Code list identification code	C an..17	N	Not used
3055	Code list responsible agency code	C an..3	N	Not used
3224	Location name	C an..256	D an..35	<b>Description:</b> Location <b>Description:</b> IF 'PLACE OF DELIVERY/UNLOCODE' is not provided, THEN this attribute/class is M, ELSE it is not used.
C519	Related location one identification	C	N	
3223	First related location name code	C an..25	N	Not used
1131	Code list identification code	C an..17	N	Not used
3055	Code list responsible agency code	C an..3	N	Not used
3222	First related location name	C an..70	N	Not used
C553	Related location two identification	C	C	
3233	Second related location name code	C an..25	C a2	<b>Description:</b> Country <b>Description:</b> IF 'PLACE OF DELIVERY/UNLOCODE' is not provided, THEN this attribute/class is M, ELSE it is not used.
1131	Code list identification code	C an..17	N	Not used
3055	Code list responsible agency code	C an..3	N	Not used
3232	Second related location name	C an..70	N	Not used
5479	Relation code	C an..3	N	Not used

**Example:**

LOC+7+DEDRS : : : DRESDEN++DE '



Counter	No	Tag	St	MaxOcc	Level	Name
---------	----	-----	----	--------	-------	------

0500      **SG9** ( 4 )      C      99      2      **Countries of routing**

On master level: Countries of routing of means of transport

On house level: Countries of routing of consignment

'Countries of routing of means of transport' first country in the sequence must be the same as 'PLACE OF LOADING/UNLOCODE' or 'PLACE OF LOADING/ADDRESS/Country'.

'Countries of routing of means of transport' last country in the sequence must be the same as 'PLACE OF UNLOADING/UNLOCODE' or 'PLACE OF UNLOADING/ADDRESS/Country'.

In the sequence of 'Countries of routing of means of transport' the first country that is an EU Member State must be the country of the 'CUSTOMS OFFICE OF FIRST ENTRY'.

'COUNTRIES OF ROUTING OF CONSIGNMENT' must contain countries of 'PLACE OF ACCEPTANCE' and 'PLACE OF DELIVERY'.

0510    31      **LOC** ( 1 )      M      1      2      **Place/location identification**

Standard			Implementation	
Tag	Name	St Format	St Format	Usage / Remark
LOC				
3227	Location function code qualifier	M an..3	M an..3	<b>49 Country of transit</b>
C517	Location identification	C	C	
3225	Location name code	C an..25	C a2	
1131	Code list identification code	C an..17	N	Not used
3055	Code list responsible agency code	C an..3	N	Not used
3224	Location name	C an..256	N	Not used
C519	Related location one identification	C	N	
3223	First related location name code	C an..25	N	Not used
1131	Code list identification code	C an..17	N	Not used
3055	Code list responsible agency code	C an..3	N	Not used
3222	First related location name	C an..70	N	Not used
C553	Related location two identification	C	N	
3233	Second related location name code	C an..25	N	Not used
1131	Code list identification code	C an..17	N	Not used
3055	Code list responsible agency code	C an..3	N	Not used
3232	Second related location name	C an..70	N	Not used
5479	Relation code	C an..3	M an..3	<b>1</b> <b>Sequence</b> <b>Description:</b> Sequence of location within the routing

**Example:**

LOC+49+DE+++1'

Counter	No	Tag	St	MaxOcc	Level	Name
---------	----	-----	----	--------	-------	------

0500      **SG9** ( 5 )      C            1            2      **Place of acceptance**

Place where the person issuing the bill of lading takes delivery of the goods from the consignor. Mandatory for F10, F11 (master and house), F12, F13, F14, F15

0510    32      **LOC** ( 1 )      M            1            2      **Place/location identification**

Standard			Implementation	
Tag	Name	St Format	St Format	Usage / Remark
LOC				
3227	Location function code qualifier	M an..3	M an..3	<b>10 Place of acceptance</b>
C517	Location identification	C	C	
3225	Location name code	C an..25	C an..17	<b>Description:</b> UNLoCode
1131	Code list identification code	C an..17	N	Not used
3055	Code list responsible agency code	C an..3	N	Not used
3224	Location name	C an..256	C an..35	<b>Description:</b> Location <b>Description:</b> IF 'PLACE OF ACCEPTANCE/UNLOCODE' is not provided, THEN this attribute/class is M, ELSE it is not used.
C519	Related location one identification	C	N	
3223	First related location name code	C an..25	N	Not used
1131	Code list identification code	C an..17	N	Not used
3055	Code list responsible agency code	C an..3	N	Not used
3222	First related location name	C an..70	N	Not used
C553	Related location two identification	C	C	
3233	Second related location name code	C an..25	C a2	<b>Description:</b> Country <b>Description:</b> IF 'PLACE OF DELIVERY/UNLOCODE' is not provided, THEN this attribute/class is M, ELSE it is not used.
1131	Code list identification code	C an..17	N	Not used
3055	Code list responsible agency code	C an..3	N	Not used
3232	Second related location name	C an..70	N	Not used
5479	Relation code	C an..3	N	Not used

**Example:**

LOC+10+DEHAM:::Hamburg++DE'

Counter	No	Tag	St	MaxOcc	Level	Name
0460		<b>SG8</b> ( 2 )	O	99	1	Passive border transport means
0470	33	<b>TDT</b> ( 1 )	M	1	1	Vessel Information

Standard			Implementation	
Tag	Name	St Format	St Format	Usage / Remark
TDT				
8051	Transport stage code qualifier	M an..3	M an..3	<b>PBT Passive border transport means</b>
8028	Means of transport journey identifier	C an..17	N	Not used
C220	Mode of transport	C	D	
8067	Transport mode name code	C an..3	M an..3	
8066	Transport mode name	C an..17	N	Not used
C228	Transport means	C	C	
8179	Transport means description code	C an..8	C an..4	<b>Description:</b> Type of means of transport: see CL751
8178	Transport means description	C an..17	N	Not used
C040	Carrier	C	N	
3127	Carrier identifier	C an..17	N	Not used
1131	Code list identification code	C an..17	N	Not used
3055	Code list responsible agency code	C an..3	N	Not used
3128	Carrier name	C an..35	N	Not used
8101	Transit direction indicator code	C an..3	N	Not used
C401	Excess transportation information	C	N	
8457	Excess transportation reason code	M an..3	N	Not used
8459	Excess transportation responsibility code	M an..3	N	Not used
7130	Customer shipment authorisation identifier	C an..17	N	Not used
C222	Transport identification	C	M	
8213	Transport means identification name identifier	C an..9	M an..35	
1131	Code list identification code	C an..17	M n2	<b>Description:</b> Type of Identification <b>10 IMO Ship Identification Number</b> <b>20 Wagon Number</b> <b>21 Train Number</b> <b>30 Registration Number of the Road Vehicle</b> <b>31 Registration Number of the Road Trailer</b> <b>41 Registration Number of the Aircraft</b> <b>80 European Vessel Identification Number (ENI Code)</b>
3055	Code list responsible agency code	C an..3	N	Not used
8212	Transport means identification name	C an..35	N	Not used
8453	Transport means nationality code	C an..3	M a2	<b>Description:</b> Nationality
8281	Transport means ownership indicator code	C an..3	N	Not used

**Example:**

TDT+PBT++1+11++++9999999:30:::DE'

Counter	No	Tag	St	MaxOcc	Level	Name
0560		<b>SG11 ( 1 )</b>	C	1	1	Representative
0570	34	<b>NAD ( 1 )</b>	M	1	1	Representative

In the 'ADDRESS' either 'ADDRESS/Street' and 'ADDRESS/Number' or 'ADDRESS/P.O.Box' has to be used.

Standard			Implementation	
Tag	Name	St Format	St Format	Usage / Remark
NAD				
3035	Party function code qualifier	M an..3	M an..3	<b>AG Agent/representative</b>
C082	Party identification details	C	M	
3039	Party identifier	M an..35	M an..17	<b>Description:</b> EORI is mandatory <b>Description:</b> This attribute cannot be amended. <b>Description:</b> 'REPRESENTATIVE/Identification number' cannot be the same as 'DECLARANT/Identification number'.
1131	Code list identification code	C an..17	N	Not used
3055	Code list responsible agency code	C an..3	N	Not used
C058	Name and address	C	C	
3124	Name and address description	M an..35	M n1	<b>Description:</b> Status, see CL094 <b>Status</b> 2 Direct 3 Indirect
3124	Name and address description	C an..35	C an..35	<b>Description:</b> Subdivision <b>Subdivision</b>
3124	Name and address description	C an..35	N	Not used
3124	Name and address description	C an..35	N	Not used
3124	Name and address description	C an..35	N	Not used
C080	Party name	C	M	
3036	Party name	M an..35	M an..70	<b>Description:</b> Name
3036	Party name	C an..35	N	Not used
3036	Party name	C an..35	N	Not used
3036	Party name	C an..35	N	Not used
3036	Party name	C an..35	N	Not used
3045	Party name format code	C an..3	N	Not used
C059	Street	C	C	
3042	Street and number or post office box identifier	M an..35	C an..70	<b>Description:</b> Street name
3042	Street and number or post office box identifier	C an..35	C an..70	<b>Description:</b> Street additional line
3042	Street and number or post office box identifier	C an..35	C an..35	<b>Description:</b> Street Number
3042	Street and number or post office box identifier	C an..35	C an..70	<b>Description:</b> P.O. Box
3164	City name	C an..35	M an..35	<b>Description:</b> City
C819	Country sub-entity details	C	N	
3229	Country sub-entity name code	C an..9	N	Not used
1131	Code list identification code	C an..17	N	Not used
3055	Code list responsible agency code	C an..3	N	Not used
3228	Country sub-entity name	C an..35	N	Not used
3251	Postal identification code	C an..17	C an..17	<b>Description:</b> Postcode <b>Remark:</b> IF 'ADDRESS/Country' in CL733 has a country code with postal code indicator 'C', THEN this attribute in the same class is O,

		Standard	Implementation	
Tag	Name	St Format	St Format	Usage / Remark
				<i>ELSE it is M.</i>
3207	Country name code	C an..3	M a2	<b>Description:</b> Country

**Example:**

NAD+AG+DE6006005+2+REPRESENTATIVE+STREET Name:::100+City++POSTCODE+DE'

Counter	No	Tag	St	MaxOcc	Level	Name
0600		<b>SG12 ( 1 )</b>	M	1	2	<b>CTA-COM</b>
0610	35	<b>CTA ( 1 )</b>	N	1	2	<b>Contact information</b>

Standard			Implementation	
Tag	Name	St Format	St Format	Usage / Remark
CTA				
3139	Contact function code	C an..3	N	Not used
C056	Department or employee details	C	N	
3413	Department or employee name code	C an..17	N	Not used
3412	Department or employee name	C an..35	N	Not used

**Example:**

CTA

Counter	No	Tag	St	MaxOcc	Level	Name
0600		<b>SG12 ( 1 )</b>	M	1	2	<b>CTA-COM</b>
0620	36	<b>COM ( 1 )</b>	M	9	3	<b>Communication contact</b>

Standard			Implementation	
Tag	Name	St Format	St Format	Usage / Remark
COM				
C076	Communication contact	M	M	
3148	Communication address identifier	M an..512	M an..512	<b>Remark:</b> When 'COMMUNICATION/Type' is 'TE' the 'COMMUNICATION/Identifier' has to have an international phone number format as defined in the ITU-T recommendation E.123 (02/2001). The format must be compliant with the pattern " <code>^\ +(?:[0-9] ?){6,14}[0-9]\$</code> ".
3155	Communication address code qualifier	M an..3	M an..3	<b>TE Telephone</b> <b>EM Electronic mail</b>

**Example:**

COM+?+4912323434:TE'

Counter	No	Tag	St	MaxOcc	Level	Name
---------	----	-----	----	--------	-------	------

0560 **SG11 ( 2 )** C 1 1 **Carrier**

Carrier is mandatory for all ENS messages (F10-F17). For F10, F11, F12, F13: EORI the name and address is mandatory. For F14, F15, F16, F17: only EORI is necessary.

0570 37 **NAD ( 1 )** M 1 1 **Name and address**

In the 'ADDRESS' either 'ADDRESS/Street' and 'ADDRESS/Number' or 'ADDRESS/P.O.Box' has to be used.

Standard			Implementation	
Tag	Name	St Format	St Format	Usage / Remark
NAD				
3035	Party function code qualifier	M an..3	M an..3	<b>CG Carrier's agent</b>
C082	Party identification details	C	M	
3039	Party identifier	M an..35	M an..17	<b>Description:</b> EORI is mandatory <b>Description:</b> This class/attribute cannot be amended.
1131	Code list identification code	C an..17	N	Not used
3055	Code list responsible agency code	C an..3	N	Not used
C058	Name and address	C	C	
3124	Name and address description	M an..35	M n1	<b>Description:</b> Type of Person not in use
3124	Name and address description	C an..35	C an..35	<b>Description:</b> Subdivision
3124	Name and address description	C an..35	N	Not used
3124	Name and address description	C an..35	N	Not used
3124	Name and address description	C an..35	N	Not used
C080	Party name	C	C	
3036	Party name	M an..35	M an..70	<b>Description:</b> Name
3036	Party name	C an..35	N	Not used
3036	Party name	C an..35	N	Not used
3036	Party name	C an..35	N	Not used
3036	Party name	C an..35	N	Not used
3045	Party name format code	C an..3	N	Not used
C059	Street	C	C	Either 'Street' and 'Number' or 'P.O.Box' has to be used.
3042	Street and number or post office box identifier	M an..35	C an..70	<b>Description:</b> Street name
3042	Street and number or post office box identifier	C an..35	C an..70	<b>Description:</b> Street additional line
3042	Street and number or post office box identifier	C an..35	C an..35	<b>Description:</b> Street Number
3042	Street and number or post office box identifier	C an..35	C an..70	<b>Description:</b> P.O. Box
3164	City name	C an..35	C an..35	<b>Description:</b> City
C819	Country sub-entity details	C	N	
3229	Country sub-entity name code	C an..9	N	Not used
1131	Code list identification code	C an..17	N	Not used
3055	Code list responsible agency code	C an..3	N	Not used
3228	Country sub-entity name	C an..35	N	Not used
3251	Postal identification code	C an..17	C an..17	<b>Description:</b> Postcode <b>Description:</b> IF 'ADDRESS/Country' in CL733 has a country code with postal code indicator 'C', THEN this attribute in the same class is O, ELSE it is M.
3207	Country name code	C an..3	C a2	<b>Description:</b> Country

Example:



NAD+CG+DE6006005++CARRIER+STREET Name::100+City++POSTCODE+DE'

Counter	No	Tag	St	MaxOcc	Level	Name
0600		<b>SG12 ( 1 )</b>	C	1	2	<b>CTA-COM</b>
0610	38	<b>CTA ( 1 )</b>	N	1	2	<b>Contact information</b>

Standard			Implementation	
Tag	Name	St Format	St Format	Usage / Remark
CTA				
3139	Contact function code	C an..3	N	Not used
C056	Department or employee details	C	N	
3413	Department or employee name code	C an..17	N	Not used
3412	Department or employee name	C an..35	N	Not used

**Example:**

CTA

Counter	No	Tag	St	MaxOcc	Level	Name
0600		<b>SG12</b> ( 1 )	C	1	2	<b>CTA-COM</b>
0620	39	<b>COM</b> ( 1 )	M	9	3	<b>Communication contact</b>

Standard			Implementation	
Tag	Name	St Format	St Format	Usage / Remark
COM				
C076	Communication contact	M	M	
3148	Communication address identifier	M an..512	M an..512	<b>Description:</b> When 'COMMUNICATION/Type' is 'TE' the 'COMMUNICATION/Identifier' has to have an international phone number format as defined in the ITU-T recommendation E.123 (02/2001). The format must be compliant with the pattern " <b>^\+{0-9} ?{6,14}[0-9]\$</b> ".
3155	Communication address code qualifier	M an..3	M an..3	<b>TE Telephone</b> <b>EM Electronic mail</b>

**Example:**

COM+??+4912323434:TE'

Counter	No	Tag	St	MaxOcc	Level	Name
---------	----	-----	----	--------	-------	------

0560 **SG11 ( 3 )** D 1 1 **Consignee**

For F10, F11(Master level), F12, F13 this is O

For F11(House level), F14, F15 the following rule applies:

IF 'CONSIGNMENT (HOUSE LEVEL)/ADDITIONAL INFORMATION/Code' is '10600', THEN this class is O, ELSE it is M. 10600 means consignee unknown.

For F16, F17 this becomes N

0570 40 **NAD ( 1 )** M 1 1 **Name and address**

In the 'ADDRESS' either 'ADDRESS/Street' and 'ADDRESS/Number' or 'ADDRESS/P.O.Box' has to be used.

Standard			Implementation	
Tag	Name	St Format	St Format	Usage / Remark
NAD				
3035	Party function code qualifier	M an..3	M an..3	<b>CN Consignee</b>
C082	Party identification details	C	C	
3039	Party identifier	M an..35	M an..17	<b>Description:</b> EORI is mandatory for consignee in EU, if company has an EORI. <b>Description:</b> This class/attribute cannot be amended.
1131	Code list identification code	C an..17	N	Not used
3055	Code list responsible agency code	C an..3	N	Not used
C058	Name and address	C	C	
3124	Name and address description	M an..35	M n1	<b>Description:</b> Type of Person <b>1 Natural person</b> <b>2 Legal person</b> <b>3 Association of persons</b>
3124	Name and address description	C an..35	C an..35	<b>Description:</b> Subdivision
3124	Name and address description	C an..35	N	Not used
3124	Name and address description	C an..35	N	Not used
3124	Name and address description	C an..35	N	Not used
C080	Party name	C	M	
3036	Party name	M an..35	M an..70	<b>Description:</b> Name
3036	Party name	C an..35	N	Not used
3036	Party name	C an..35	N	Not used
3036	Party name	C an..35	N	Not used
3036	Party name	C an..35	N	Not used
3045	Party name format code	C an..3	N	Not used
C059	Street	C	C	
3042	Street and number or post office box identifier	M an..35	C an..70	<b>Description:</b> Street name
3042	Street and number or post office box identifier	C an..35	C an..70	<b>Description:</b> Street additional line
3042	Street and number or post office box identifier	C an..35	C an..35	<b>Description:</b> Street Number
3042	Street and number or post office box identifier	C an..35	C an..70	<b>Description:</b> P.O. Box
3164	City name	C an..35	M an..35	<b>Description:</b> City
C819	Country sub-entity details	C	N	
3229	Country sub-entity name code	C an..9	N	Not used
1131	Code list identification code	C an..17	N	Not used
3055	Code list responsible agency code	C an..3	N	Not used
3228	Country sub-entity name	C an..35	N	Not used
3251	Postal identification code	C an..17	C an..17	<b>Description:</b> Postcode

		Standard	Implementation	
Tag	Name	St Format	St Format	Usage / Remark
				<b>Description:</b> IF 'ADRESS/Country' in CL733 has a country code with postal code indicator 'C', THEN this attribute in the same class is O, ELSE it is M.
3207	Country name code	C an..3	M a2	<b>Description:</b> Country

**Example:**

NAD+CN+DE6006005+2+CONSIGNEE+STREET Name::100+City++POSTCODE+DE '

Counter	No	Tag	St	MaxOcc	Level	Name
0600		<b>SG12 ( 1 )</b>	C	1	2	<b>CTA-COM</b>
0610	41	<b>CTA ( 1 )</b>	N	1	2	<b>Contact information</b>

Standard			Implementation	
Tag	Name	St Format	St Format	Usage / Remark
CTA				
3139	Contact function code	C an..3	N	Not used
C056	Department or employee details	C	N	
3413	Department or employee name code	C an..17	N	Not used
3412	Department or employee name	C an..35	N	Not used

**Example:**

CTA

Counter	No	Tag	St	MaxOcc	Level	Name
0600		<b>SG12</b> ( 1 )	C	1	2	<b>CTA-COM</b>
0620	42	<b>COM</b> ( 1 )	M	9	3	<b>Communication contact</b>

Standard			Implementation	
Tag	Name	St Format	St Format	Usage / Remark
COM				
C076	Communication contact	M	M	
3148	Communication address identifier	M an..512	M an..512	<b>Description:</b> When 'COMMUNICATION/Type' is 'TE' the 'COMMUNICATION/Identifier' has to have an international phone number format as defined in the ITU-T recommendation E.123 (02/2001). The format must be compliant with the pattern " <b>^\+(?:[0-9] ?){6,14}[0-9]\$</b> ".
3155	Communication address code qualifier	M an..3	M an..3	<b>TE Telephone</b> <b>EM Electronic mail</b>

**Example:**

COM+??+4912323434:TE'

Counter	No	Tag	St	MaxOcc	Level	Name
---------	----	-----	----	--------	-------	------

0560 **SG11 ( 4 )** C 1 1 **Consignor**

Consignor is mandatory for F10, F11, F12, F13, F14, F15. With name, type of person and address. EORI is optional. No CTA-COM

0570 43 **NAD ( 1 )** M 1 1 **Name and address**

In the 'ADDRESS' either 'ADDRESS/Street' and 'ADDRESS/Number' or 'ADDRESS/P.O.Box' has to be used.

Standard			Implementation	
Tag	Name	St Format	St Format	Usage / Remark
NAD				
3035	Party function code qualifier	M an..3	M an..3	<b>CZ Consignor</b>
C082	Party identification details	C	C	
3039	Party identifier	M an..35	M an..17	<b>Description:</b> EORI if available <b>Description:</b> This class/attribute cannot be amended.
1131	Code list identification code	C an..17	N	Not used
3055	Code list responsible agency code	C an..3	N	Not used
C058	Name and address	C	C	
3124	Name and address description	M an..35	M n1	<b>Description:</b> Type of person <b>1 Natural person</b> <b>2 Legal person</b> <b>3 Association of persons</b>
3124	Name and address description	C an..35	C an..35	<b>Description:</b> Subdivision
3124	Name and address description	C an..35	N	Not used
3124	Name and address description	C an..35	N	Not used
3124	Name and address description	C an..35	N	Not used
C080	Party name	C	M	
3036	Party name	M an..35	M an..70	<b>Description:</b> Name
3036	Party name	C an..35	N	Not used
3036	Party name	C an..35	N	Not used
3036	Party name	C an..35	N	Not used
3036	Party name	C an..35	N	Not used
3045	Party name format code	C an..3	N	Not used
C059	Street	C	C	
3042	Street and number or post office box identifier	M an..35	C an..70	<b>Description:</b> Street name
3042	Street and number or post office box identifier	C an..35	C an..70	<b>Description:</b> Street additional line
3042	Street and number or post office box identifier	C an..35	C an..35	<b>Description:</b> Street number
3042	Street and number or post office box identifier	C an..35	C an..70	<b>Description:</b> P.O. Box
3164	City name	C an..35	M an..35	<b>Description:</b> City
C819	Country sub-entity details	C	N	
3229	Country sub-entity name code	C an..9	N	Not used
1131	Code list identification code	C an..17	N	Not used
3055	Code list responsible agency code	C an..3	N	Not used
3228	Country sub-entity name	C an..35	N	Not used
3251	Postal identification code	C an..17	C an..17	<b>Description:</b> Postcode <b>Description:</b> IF 'ADRESS/Country' in CL733 has a country code with postal code indicator 'C', THEN this attribute in the same class is O, ELSE it is M.
3207	Country name code	C an..3	M an..3	<b>Description:</b> Country



**Example:**

NAD+CZ+DE6006005+2+Consignor+STREET Name::100+City++POSTCODE+DE '

Counter	No	Tag	St	MaxOcc	Level	Name
0600		<b>SG12 ( 1 )</b>	C	1	2	<b>CTA-COM</b>
0610	44	<b>CTA ( 1 )</b>	C	1	2	<b>Contact information</b>

Standard			Implementation	
Tag	Name	St Format	St Format	Usage / Remark
CTA				
3139	Contact function code	C an..3	C an..3	<b>IC Information contact</b>
C056	Department or employee details	C	C	
3413	Department or employee name code	C an..17	N	Not used
3412	Department or employee name	C an..35	C an..35	

**Example:**

CTA+IC+:Mr. X'

Counter	No	Tag	St	MaxOcc	Level	Name
0600		<b>SG12</b> ( 1 )	C	1	2	<b>CTA-COM</b>
0620	45	<b>COM</b> ( 1 )	M	9	3	<b>Communication contact</b>

Standard			Implementation	
Tag	Name	St Format	St Format	Usage / Remark
COM				
C076	Communication contact	M	M	
3148	Communication address identifier	M an..512	M an..512	<b>Description:</b> When 'COMMUNICATION/Type' is 'TE' the 'COMMUNICATION/Identifier' has to have an international phone number format as defined in the ITU-T recommendation E.123 (02/2001). The format must be compliant with the pattern " <b>^\+(?:[0-9] ?){6,14}[0-9]\$</b> ".
3155	Communication address code qualifier	M an..3	M an..3	
				<b>TE Telephone</b>

**Example:**

COM+??+4912323434:TE'

Counter	No	Tag	St	MaxOcc	Level	Name
---------	----	-----	----	--------	-------	------

0560      **SG11 ( 5 )**      D      1      1      **Buyer**

The definition of buyer: "The buyer is the last known entity to whom the goods are sold or agreed to be sold. If the goods are to be imported otherwise than in pursuance of a purchase, the details of the owner of the goods shall be provided."

In F16/F17 this is M.

In F10/F11/F15 the following rule applies:

IF 'PLACE OF DELIVERY/UNLOCODE' 2 first characters or 'PLACE OF DELIVERY/Country' refers to EU MS,

THEN this class is M,

ELSE it is O.

In the other messages this is N

0570      46      **NAD ( 1 )**      M      1      1      **Name and address**

In the 'ADDRESS' either 'ADDRESS/Street' and 'ADDRESS/Number' or 'ADDRESS/P.O.Box' has to be used.

Standard			Implementation	
Tag	Name	St Format	St Format	Usage / Remark
NAD				
3035	Party function code qualifier	M an..3	M an..3	<b>BY Buyer</b>
C082	Party identification details	C	C	
3039	Party identifier	M an..35	M an..17	<b>Description:</b> EORI if available
1131	Code list identification code	C an..17	N	Not used
3055	Code list responsible agency code	C an..3	N	Not used
C058	Name and address	C	C	
3124	Name and address description	M an..35	M n1	<b>Description:</b> Type of person <b>1 Natural person</b> <b>2 Legal person</b> <b>3 Association of persons</b>
3124	Name and address description	C an..35	C an..35	<b>Description:</b> Subdivision
3124	Name and address description	C an..35	N	Not used
3124	Name and address description	C an..35	N	Not used
3124	Name and address description	C an..35	N	Not used
C080	Party name	C	M	
3036	Party name	M an..35	M an..70	<b>Description:</b> Name
3036	Party name	C an..35	N	Not used
3036	Party name	C an..35	N	Not used
3036	Party name	C an..35	N	Not used
3036	Party name	C an..35	N	Not used
3045	Party name format code	C an..3	N	Not used
C059	Street	C	C	
3042	Street and number or post office box identifier	M an..35	C an..70	<b>Description:</b> Street name
3042	Street and number or post office box identifier	C an..35	C an..70	<b>Description:</b> Street additional line
3042	Street and number or post office box identifier	C an..35	C an..35	<b>Description:</b> Street Number
3042	Street and number or post office box identifier	C an..35	an..35 .70	<b>Description:</b> P.O. Box
3164	City name	C an..35	M an..35	<b>Description:</b> City
C819	Country sub-entity details	C	N	
3229	Country sub-entity name code	C an..9	N	Not used
1131	Code list identification code	C an..17	N	Not used
3055	Code list responsible agency code	C an..3	N	Not used
3228	Country sub-entity name	C an..35	N	Not used

		Standard	Implementation	
Tag	Name	St Format	St Format	Usage / Remark
3251	Postal identification code	C an..17	C an..17	<b>Description:</b> Postcode <b>Description:</b> IF 'ADRESS/Country' in CL733 has a country code with postal code indicator 'C', THEN this attribute in the same class is O, ELSE it is M.
3207	Country name code	C an..3	M an..3	<b>Description:</b> Country

**Example:**

NAD+BY+DE6006005+2+Buyer+STREET Name:::100+City++POSTCODE+DE'

Counter	No	Tag	St	MaxOcc	Level	Name
0600		<b>SG12 ( 1 )</b>	C	1	2	<b>CTA-COM</b>
0610	47	<b>CTA ( 1 )</b>	C	1	2	<b>Contact information</b>

Standard			Implementation	
Tag	Name	St Format	St Format	Usage / Remark
CTA				
3139	Contact function code	C an..3	C an..3	<b>IC Information contact</b>
C056	Department or employee details	C	C	
3413	Department or employee name code	C an..17	N	Not used
3412	Department or employee name	C an..35	C an..35	

**Example:**

CTA+IC+:Mr. X'

Counter	No	Tag	St	MaxOcc	Level	Name
0600		<b>SG12</b> ( 1 )	C	1	2	<b>CTA-COM</b>
0620	48	<b>COM</b> ( 1 )	M	9	3	<b>Communication contact</b>

Standard			Implementation	
Tag	Name	St Format	St Format	Usage / Remark
COM				
C076	Communication contact	M	M	
3148	Communication address identifier	M an..512	M an..512	<b>Description:</b> When 'COMMUNICATION/Type' is 'TE' the 'COMMUNICATION/Identifier' has to have an international phone number format as defined in the ITU-T recommendation E.123 (02/2001). The format must be compliant with the pattern " <b>^\+{(?[0-9] ?){6,14}[0-9]\$</b> ".
3155	Communication address code qualifier	M an..3	M an..3	
				<b>TE Telephone</b>

**Example:**

COM+??+4912323434:TE'

Counter	No	Tag	St	MaxOcc	Level	Name
---------	----	-----	----	--------	-------	------

0560      **SG11 ( 6 )**      D      1      1      **Seller**

The definition of seller: "The seller is the last known entity by whom the goods are sold or agreed to be sold to the buyer. If the goods are to be imported otherwise than in pursuance of a purchase, the details of the owner of the goods shall be provided."

In F16/F17 this is M.

In F10/F11/F15 the following rule applies:

IF 'PLACE OF DELIVERY/UNLOCODE' 2 first characters or 'PLACE OF DELIVERY/Country' refers to EU MS,

THEN this class is M,

ELSE it is O.

In the other messages this is N

0570    49      **NAD ( 1 )**      M      1      1      **Name and address**

In the 'ADDRESS' either 'ADDRESS/Street' and 'ADDRESS/Number' or 'ADDRESS/P.O.Box' has to be used.

Standard			Implementation	
Tag	Name	St Format	St Format	Usage / Remark
NAD				
3035	Party function code qualifier	M an..3	M an..3	<b>SE Seller</b>
C082	Party identification details	C	C	
3039	Party identifier	M an..35	M an..17	<b>Description:</b> EORI if available
1131	Code list identification code	C an..17	N	Not used
3055	Code list responsible agency code	C an..3	N	Not used
C058	Name and address	C	C	
3124	Name and address description	M an..35	M n1	<b>Description:</b> Type of person <b>1 Natural person</b> <b>2 Legal person</b> <b>3 Association of persons</b>
3124	Name and address description	C an..35	C an..35	<b>Description:</b> Subdivision
3124	Name and address description	C an..35	N	Not used
3124	Name and address description	C an..35	N	Not used
3124	Name and address description	C an..35	N	Not used
C080	Party name	C	M	
3036	Party name	M an..35	M an..70	<b>Description:</b> Name
3036	Party name	C an..35	N	Not used
3036	Party name	C an..35	N	Not used
3036	Party name	C an..35	N	Not used
3036	Party name	C an..35	N	Not used
3045	Party name format code	C an..3	N	Not used
C059	Street	C	C	
3042	Street and number or post office box identifier	M an..35	C an..70	<b>Description:</b> Street name
3042	Street and number or post office box identifier	C an..35	C an..70	<b>Description:</b> Street additional line
3042	Street and number or post office box identifier	C an..35	C an..35	<b>Description:</b> Street Number
3042	Street and number or post office box identifier	C an..35	an..35 .70	<b>Description:</b> P.O. Box
3164	City name	C an..35	M an..35	<b>Description:</b> City
C819	Country sub-entity details	C	N	
3229	Country sub-entity name code	C an..9	N	Not used
1131	Code list identification code	C an..17	N	Not used
3055	Code list responsible agency code	C an..3	N	Not used
3228	Country sub-entity name	C an..35	N	Not used



		Standard	Implementation	
Tag	Name	St Format	St Format	Usage / Remark
3251	Postal identification code	C an..17	C an..17	<b>Description:</b> Postcode <b>Description:</b> IF 'ADRESS/Country' in CL733 has a country code with postal code indicator 'C', THEN this attribute in the same class is O, ELSE it is M.
3207	Country name code	C an..3	M an..3	<b>Description:</b> Country

**Example:**

NAD+SE+DE6006005+2+Seller+STREET Name::100+City++POSTCODE+DE'

Counter	No	Tag	St	MaxOcc	Level	Name
0600		<b>SG12</b> ( 1 )	C	1	2	<b>CTA-COM</b>
0610	50	<b>CTA</b> ( 1 )	C	1	2	<b>Contact information</b>

Standard			Implementation	
Tag	Name	St Format	St Format	Usage / Remark
CTA				
3139	Contact function code	C an..3	C an..3	<b>IC Information contact</b>
C056	Department or employee details	C	C	
3413	Department or employee name code	C an..17	N	Not used
3412	Department or employee name	C an..35	C an..35	

**Example:**

CTA+IC+:Mr. X'

Counter	No	Tag	St	MaxOcc	Level	Name
0600		<b>SG12</b> ( 1 )	C	1	2	<b>CTA-COM</b>
0620	51	<b>COM</b> ( 1 )	M	9	3	<b>Communication contact</b>

Standard			Implementation	
Tag	Name	St Format	St Format	Usage / Remark
COM				
C076	Communication contact	M	M	
3148	Communication address identifier	M an..512	M an..512	<b>Description:</b> When 'COMMUNICATION/Type' is 'TE' the 'COMMUNICATION/Identifier' has to have an international phone number format as defined in the ITU-T recommendation E.123 (02/2001). The format must be compliant with the pattern " <b>^\+{(?[0-9] ?){6,14}[0-9]\$</b> ".
3155	Communication address code qualifier	M an..3	M an..3	
				<b>TE Telephone</b>

**Example:**

COM+??+4912323434:TE'

Counter	No	Tag	St	MaxOcc	Level	Name
---------	----	-----	----	--------	-------	------

0560      **SG11 ( 7 )**      D      1      1      **Notify party**

For F10/F11/F12/F13 this is O

For F14/F15 the following rule applies:

IF 'CONSIGNMENT (HOUSE LEVEL)/ADDITIONAL INFORMATION/Code' is '10600', THEN this class is M, ELSE it is O. 10600 means consignee unknown.

For F16/F17 this becomes N

0570      52      **NAD ( 1 )**      M      1      1      **Name and address**

In the 'ADDRESS' either 'ADDRESS/Street' and 'ADDRESS/Number' or 'ADDRESS/P.O.Box' has to be used.

Standard			Implementation	
Tag	Name	St Format	St Format	Usage / Remark
NAD				
3035	Party function code qualifier	M an..3	M an..3	<b>N1 Notify party no. 1</b>
C082	Party identification details	C	M	
3039	Party identifier	M an..35	M an..17	<b>Description:</b> EORI is mandatory
1131	Code list identification code	C an..17	N	Not used
3055	Code list responsible agency code	C an..3	N	Not used
C058	Name and address	C	C	
3124	Name and address description	M an..35	M n1	<b>Description:</b> Type of person <b>1 Natural person</b> <b>2 Legal person</b> <b>3 Association of persons</b>
3124	Name and address description	C an..35	C an..35	<b>Description:</b> Subdivision
3124	Name and address description	C an..35	N	Not used
3124	Name and address description	C an..35	N	Not used
3124	Name and address description	C an..35	N	Not used
C080	Party name	C	M	
3036	Party name	M an..35	M an..70	<b>Description:</b> Name
3036	Party name	C an..35	N	Not used
3036	Party name	C an..35	N	Not used
3036	Party name	C an..35	N	Not used
3036	Party name	C an..35	N	Not used
3045	Party name format code	C an..3	N	Not used
C059	Street	C	C	
3042	Street and number or post office box identifier	M an..35	C an..70	<b>Description:</b> Street name
3042	Street and number or post office box identifier	C an..35	C an..70	<b>Description:</b> Street additional line
3042	Street and number or post office box identifier	C an..35	C an..35	<b>Description:</b> Street Number
3042	Street and number or post office box identifier	C an..35	an..35 .70	<b>Description:</b> P.O. Box
3164	City name	C an..35	M an..35	<b>Description:</b> City
C819	Country sub-entity details	C	N	
3229	Country sub-entity name code	C an..9	N	Not used
1131	Code list identification code	C an..17	N	Not used
3055	Code list responsible agency code	C an..3	N	Not used
3228	Country sub-entity name	C an..35	N	Not used
3251	Postal identification code	C an..17	C an..17	<b>Description:</b> Postcode <b>Description:</b> IF 'ADDRESS/Country' in CL733 has a country code

		Standard	Implementation	
Tag	Name	St Format	St Format	Usage / Remark
				with postal code indicator 'C', THEN this attribute in the same class is O, ELSE it is M.
3207	Country name code	C an..3	M an..3	<b>Description:</b> Country

**Example:**

NAD+N1+DE6006005+2+Notify Party+STREET Name::100+City++POSTCODE+DE'

Counter	No	Tag	St	MaxOcc	Level	Name
0600		<b>SG12 ( 1 )</b>	M	1	2	<b>CTA-COM</b>
0610	53	<b>CTA ( 1 )</b>	C	1	2	<b>Contact information</b>

Standard			Implementation	
Tag	Name	St Format	St Format	Usage / Remark
CTA				
3139	Contact function code	C an..3	C an..3	<b>IC Information contact</b>
C056	Department or employee details	C	C	
3413	Department or employee name code	C an..17	N	Not used
3412	Department or employee name	C an..35	C an..35	

**Example:**

CTA+IC+:Mr. X'

Counter	No	Tag	St	MaxOcc	Level	Name
0600		<b>SG12</b> ( 1 )	M	1	2	<b>CTA-COM</b>
0620	54	<b>COM</b> ( 1 )	M	9	3	<b>Communication contact</b>

Standard			Implementation	
Tag	Name	St Format	St Format	Usage / Remark
COM				
C076	Communication contact	M	M	
3148	Communication address identifier	M an..512	M an..512	<b>Description:</b> When 'COMMUNICATION/Type' is 'TE' the 'COMMUNICATION/Identifier' has to have an international phone number format as defined in the ITU-T recommendation E.123 (02/2001). The format must be compliant with the pattern " <b>^\+{(?[0-9] ?){6,14}[0-9]\$</b> ".
3155	Communication address code qualifier	M an..3	M an..3	
				<b>TE Telephone</b>

**Example:**

COM+??+4912323434:TE'

Counter	No	Tag	St	MaxOcc	Level	Name
---------	----	-----	----	--------	-------	------

0560 **SG11 ( 8 )** M 1 1 **Declarant**

Declarant is mandatory for all ENS messages (F10-17).

0570 55 **NAD ( 1 )** M 1 1 **Name and address**

In the 'ADDRESS' either 'ADDRESS/Street' and 'ADDRESS/Number' or 'ADDRESS/P.O.Box' has to be used.

Standard			Implementation	
Tag	Name	St Format	St Format	Usage / Remark
NAD				
3035	Party function code qualifier	M an..3	M an..3	<b>DT Declarant</b>
C082	Party identification details	C	M	
3039	Party identifier	M an..35	M an..17	<b>Description:</b> EORI is mandatory <b>Description:</b> This attribute cannot be amended.
1131	Code list identification code	C an..17	N	Not used
3055	Code list responsible agency code	C an..3	N	Not used
C058 Name and address				
3124	Name and address description	M an..35	M n1	<b>Description:</b> Type of Person not in use
3124	Name and address description	C an..35	C an..35	<b>Description:</b> Subdivision
3124	Name and address description	C an..35	N	Not used
3124	Name and address description	C an..35	N	Not used
3124	Name and address description	C an..35	N	Not used
C080 Party name				
3036	Party name	M an..35	M an..70	<b>Description:</b> Name
3036	Party name	C an..35	N	Not used
3036	Party name	C an..35	N	Not used
3036	Party name	C an..35	N	Not used
3036	Party name	C an..35	N	Not used
3045	Party name format code	C an..3	N	Not used
C059 Street				
3042	Street and number or post office box identifier	M an..35	C an..70	<b>Description:</b> Street name
3042	Street and number or post office box identifier	C an..35	C an..70	<b>Description:</b> Street additional line
3042	Street and number or post office box identifier	C an..35	C an..35	<b>Description:</b> Street Number
3042	Street and number or post office box identifier	C an..35	an..35 .70	<b>Description:</b> P.O. Box
3164	City name	C an..35	M an..35	<b>Description:</b> City
C819 Country sub-entity details				
3229	Country sub-entity name code	C an..9	N	Not used
1131	Code list identification code	C an..17	N	Not used
3055	Code list responsible agency code	C an..3	N	Not used
3228	Country sub-entity name	C an..35	N	Not used
3251	Postal identification code	C an..17	C an..17	<b>Description:</b> Postcode <b>Description:</b> IF 'ADDRESS/Country' in CL733 has a country code with postal code indicator 'C', THEN this attribute in the same class is O, ELSE it is M.
3207	Country name code	C an..3	M an..3	<b>Description:</b> Country

Example:



NAD+DT+DE6006005++Declarant+STREET Name::100+City++POSTCODE+DE'

Counter	No	Tag	St	MaxOcc	Level	Name
0600		<b>SG12</b> ( 1 )	M	1	2	<b>CTA-COM</b>
0610	56	<b>CTA</b> ( 1 )	C	1	2	<b>Contact information</b>

Standard			Implementation	
Tag	Name	St Format	St Format	Usage / Remark
CTA				
3139	Contact function code	C an..3	C an..3	<b>IC Information contact</b>
C056	Department or employee details	C	N	
3413	Department or employee name code	C an..17	N	Not used
3412	Department or employee name	C an..35	N	Not used

**Example:**

CTA+IC'

Counter	No	Tag	St	MaxOcc	Level	Name
0600		<b>SG12 ( 1 )</b>	M	1	2	<b>CTA-COM</b>
0620	57	<b>COM ( 1 )</b>	M	9	3	<b>Communication contact</b>

Standard			Implementation	
Tag	Name	St Format	St Format	Usage / Remark
COM				
C076	Communication contact	M	M	
3148	Communication address identifier	M an..512	M an..512	<b>Description:</b> When 'COMMUNICATION/Type' is 'TE' the 'COMMUNICATION/Identifier' has to have an international phone number format as defined in the ITU-T recommendation E.123 (02/2001). The format must be compliant with the pattern " <b>^\+{(?[0-9] ?){6,14}[0-9]\$</b> ".
3155	Communication address code qualifier	M an..3	M an..3	
				<b>TE Telephone</b>

**Example:**

COM+??+4912323434:TE'

Counter	No	Tag	St	MaxOcc	Level	Name
---------	----	-----	----	--------	-------	------

0560 **SG11 ( 9 )** C 99 1 **Additional supply chain actor**

This should be provided, if available, either at CONSIGNMENT level or GOODS ITEM level. Where the same information is applicable to all Goods items in the same Consignment, it should be provided at CONSIGNMENT level only.

0570 58 **NAD ( 1 )** M 1 1 **Name and address**

Standard			Implementation	
Tag	Name	St Format	St Format	Usage / Remark
NAD				
3035	Party function code qualifier	M an..3	M an..3	<b>SCA Additional supply chain actor</b>
C082	Party identification details	C	M	
3039	Party identifier	M an..35	M an..35	<b>Description:</b> EORI is mandatory
1131	Code list identification code	C an..17	C an..2	<b>Description:</b> Role <b>CE Consignee</b> <b>C0 Consignor</b> <b>CR Carrier</b> <b>CS Consolidator</b> <b>FW Freight forwarder</b> <b>MF Manufacturer</b> <b>WH Warehouse keeper</b>
3055	Code list responsible agency code	C an..3	N	Not used
C058	Name and address	C	N	
3124	Name and address description	M an..35	N	Not used
3124	Name and address description	C an..35	N	Not used
3124	Name and address description	C an..35	N	Not used
3124	Name and address description	C an..35	N	Not used
3124	Name and address description	C an..35	N	Not used
C080	Party name	C	N	
3036	Party name	M an..35	N	Not used
3036	Party name	C an..35	N	Not used
3036	Party name	C an..35	N	Not used
3036	Party name	C an..35	N	Not used
3036	Party name	C an..35	N	Not used
3045	Party name format code	C an..3	N	Not used
C059	Street	C	N	
3042	Street and number or post office box identifier	M an..35	N	Not used
3042	Street and number or post office box identifier	C an..35	N	Not used
3042	Street and number or post office box identifier	C an..35	N	Not used
3042	Street and number or post office box identifier	C an..35	N	Not used
3164	City name	C an..35	N	Not used
C819	Country sub-entity details	C	N	
3229	Country sub-entity name code	C an..9	N	Not used
1131	Code list identification code	C an..17	N	Not used
3055	Code list responsible agency code	C an..3	N	Not used
3228	Country sub-entity name	C an..35	N	Not used
3251	Postal identification code	C an..17	N	Not used
3207	Country name code	C an..3	N	Not used

**Example:**

NAD+SCA+DE6006005:CE'

Counter	No	Tag	St	MaxOcc	Level	Name
0890		<b>SG18</b> ( 1 )	M	9999	1	<b>GID-PIA-FTX-SG19-SG20-SG22-SG23-SG24-SG27-SG30</b>
0900	59	<b>GID</b> ( 1 )	M	1	1	<b>Goods item details</b>

Standard			Implementation	
Tag	Name	St Format	St Format	Usage / Remark
GID				
1496	Goods item number	C n..5	M n..5	<b>Description:</b> Each 'Goods Item Number' must be unique throughout CONSIGNMENT. The items shall be numbered in a sequential fashion, starting from '1' for the first item and incrementing the numbering by '1' for each following item. <b>Description:</b> This attribute cannot be amended.
C213	Number and type of packages	C	C	
7224	Package quantity	C n..8	D n..8	<b>Description:</b> Number of packages <b>Description:</b> IF 'GOODS ITEM/PACKAGING/Type of packages' is 'VQ', 'VG', 'VL', 'VY', 'VR', 'VS', 'VO', 'NE', 'NF', 'NG', THEN this attribute is not used, ELSE it is M.
7065	Package type description code	C an..17	D an2	<b>Description:</b> Type of packages <b>Description:</b> CL017 Package type UN/ECE recommendation 21 code list as published in CS/RD2
1131	Code list identification code	C an..17	N	Not used
3055	Code list responsible agency code	C an..3	N	Not used
7064	Type of packages	C an..35	N	Not used
7233	Packaging related description code	C an..3	N	Not used
C213	Number and type of packages	C	N	
7224	Package quantity	C n..8	N	Not used
7065	Package type description code	C an..17	N	Not used
1131	Code list identification code	C an..17	N	Not used
3055	Code list responsible agency code	C an..3	N	Not used
7064	Type of packages	C an..35	N	Not used
7233	Packaging related description code	C an..3	N	Not used
C213	Number and type of packages	C	N	
7224	Package quantity	C n..8	N	Not used
7065	Package type description code	C an..17	N	Not used
1131	Code list identification code	C an..17	N	Not used
3055	Code list responsible agency code	C an..3	N	Not used
7064	Type of packages	C an..35	N	Not used
7233	Packaging related description code	C an..3	N	Not used
C213	Number and type of packages	C	N	
7224	Package quantity	C n..8	N	Not used
7065	Package type description code	C an..17	N	Not used
1131	Code list identification code	C an..17	N	Not used
3055	Code list responsible agency code	C an..3	N	Not used
7064	Type of packages	C an..35	N	Not used
7233	Packaging related description code	C an..3	N	Not used

		Standard	Implementation	
Tag	Name	St Format	St Format	Usage / Remark
	code			
C213	Number and type of packages	C	N	
7224	Package quantity	C n..8	N	Not used
7065	Package type description code	C an..17	N	Not used
1131	Code list identification code	C an..17	N	Not used
3055	Code list responsible agency code	C an..3	N	Not used
7064	Type of packages	C an..35	N	Not used
7233	Packaging related description code	C an..3	N	Not used

**Example:**

GID+1+9:CN'

Counter	No	Tag	St	MaxOcc	Level	Name
0890		<b>SG18</b> ( 1 )	M	9999	1	<b>GID-PIA-FTX-SG19-SG20-SG22-SG23-SG24-SG27-SG30</b>
0970	60	<b>PIA</b> ( 1 )	D	1	2	<b>Additional product id</b>

IF 'CONSIGNOR/Type of person' and 'CONSIGNEE/Type of person' is '1 (Natural person)',  
 THEN attribute is O,  
 ELSE it is M.

Standard			Implementation	
Tag	Name	St Format	St Format	Usage / Remark
PIA				
4347	Product identifier code qualifier	M an..3	M an..3	<b>5 Product identification</b>
C212	Item number identification	M	M	
7140	Item identifier	C an..35	M n6	<b>Harmonized System sub-heading code, HS-Code, Commodity Code</b>
7143	Item type identification code	C an..3	N	Not used
1131	Code list identification code	C an..17	N	Not used
3055	Code list responsible agency code	C an..3	N	Not used
C212	Item number identification	C	C	
7140	Item identifier	C an..35	C an..2	<b>Combined nomenclature code</b>
7143	Item type identification code	C an..3	N	Not used
1131	Code list identification code	C an..17	N	Not used
3055	Code list responsible agency code	C an..3	N	Not used
C212	Item number identification	C	N	
7140	Item identifier	C an..35	N	Not used
7143	Item type identification code	C an..3	N	Not used
1131	Code list identification code	C an..17	N	Not used
3055	Code list responsible agency code	C an..3	N	Not used
C212	Item number identification	C	N	
7140	Item identifier	C an..35	N	Not used
7143	Item type identification code	C an..3	N	Not used
1131	Code list identification code	C an..17	N	Not used
3055	Code list responsible agency code	C an..3	N	Not used
C212	Item number identification	C	N	
7140	Item identifier	C an..35	N	Not used
7143	Item type identification code	C an..3	N	Not used
1131	Code list identification code	C an..17	N	Not used
3055	Code list responsible agency code	C an..3	N	Not used

**Example:**

PIA+5+123456+98'



Counter	No	Tag	St	MaxOcc	Level	Name
0890		<b>SG18</b> ( 1 )	M	9999	1	<b>GID-PIA-FTX-SG19-SG20-SG22-SG23-SG24-SG27-SG30</b>
0980	61	<b>FTX</b> ( 1 )	D	1	2	<b>Free text</b>

Standard			Implementation	
Tag	Name	St Format	St Format	Usage / Remark
FTX				
4451	Text subject code qualifier	M an..3	M an..3	<b>AAA Goods description</b>
4453	Free text function code	C an..3	N	Not used
C107	Text reference	C	N	
4441	Free text value code	M an..17	N	Not used
1131	Code list identification code	C an..17	N	Not used
3055	Code list responsible agency code	C an..3	N	Not used
C108	Text literal	C	M	
4440	Free text value	M an..512	M an..512	<b>Description:</b> Description of goods
4440	Free text value	C an..512	N	Not used
4440	Free text value	C an..512	N	Not used
4440	Free text value	C an..512	N	Not used
4440	Free text value	C an..512	N	Not used
3453	Language name code	C an..3	N	Not used
4447	Free text format code	C an..3	N	Not used

**Example:**

'FTX+AAA+++GOODS DESCRIPTION'

Counter	No	Tag	St	MaxOcc	Level	Name
0890		<b>SG18</b> ( 1 )	M	9999	1	<b>GID-PIA-FTX-SG19-SG20-SG22-SG23-SG24-SG27-SG30</b>
0980	62	<b>FTX</b> ( 2 )	D	9	2	<b>Additional information</b>

This should be provided, if available, either at CONSIGNMENT level or GOODS ITEM level. Where the same information is applicable to all Goods items in the same Consignment, it should be provided at CONSIGNMENT level only.

Standard			Implementation	
Tag	Name	St Format	St Format	Usage / Remark
FTX				
4451	Text subject code qualifier	M an..3	M an..3	<b>ACB Additional information</b>
4453	Free text function code	C an..3	N	Not used
C107	Text reference	C	C	
4441	Free text value code	M an..17	M an..17	<b>10600 Consignee Unknown 10900 ENS lodged together with customs declaration for low value consignments</b>
1131	Code list identification code	C an..17	N	Not used
3055	Code list responsible agency code	C an..3	N	Not used
C108	Text literal	C	N	
4440	Free text value	M an..512	N	Not used
4440	Free text value	C an..512	N	Not used
4440	Free text value	C an..512	N	Not used
4440	Free text value	C an..512	N	Not used
4440	Free text value	C an..512	N	Not used
3453	Language name code	C an..3	N	Not used
4447	Free text format code	C an..3	N	Not used

**Example:**

FTX+ACB++10600'

Counter	No	Tag	St	MaxOcc	Level	Name
---------	----	-----	----	--------	-------	------

1000      **SG19 ( 1 )**      C      99      2      **Additional supply chain actor**

This should be provided, if available, either at CONSIGNMENT level or GOODS ITEM level. Where the same information is applicable to all Goods items in the same Consignment, it should be provided at CONSIGNMENT level only.

1010      63      **NAD ( 1 )**      M      1      2      **Name and address**

Standard			Implementation	
Tag	Name	St Format	St Format	Usage / Remark
NAD				
3035	Party function code qualifier	M an..3	M an..3	<b>SCA Additional supply chain actor</b>
C082	Party identification details	C	C	
3039	Party identifier	M an..35	M an..35	<b>Description:</b> EORI is mandatory
1131	Code list identification code	C an..17	C an..17	<b>Description:</b> Role <b>CE Consignee</b> <b>C0 Consignor</b> <b>CR Carrier</b> <b>CS Consolidator</b> <b>FW Freight forwarder</b> <b>MF Manufacturer</b> <b>WH Warehouse keeper</b>
3055	Code list responsible agency code	C an..3	N	Not used
C058	Name and address	C	N	
3124	Name and address description	M an..35	N	Not used
3124	Name and address description	C an..35	N	Not used
3124	Name and address description	C an..35	N	Not used
3124	Name and address description	C an..35	N	Not used
3124	Name and address description	C an..35	N	Not used
C080	Party name	C	N	
3036	Party name	M an..35	N	Not used
3036	Party name	C an..35	N	Not used
3036	Party name	C an..35	N	Not used
3036	Party name	C an..35	N	Not used
3036	Party name	C an..35	N	Not used
3045	Party name format code	C an..3	N	Not used
C059	Street	C	N	
3042	Street and number or post office box identifier	M an..35	N	Not used
3042	Street and number or post office box identifier	C an..35	N	Not used
3042	Street and number or post office box identifier	C an..35	N	Not used
3042	Street and number or post office box identifier	C an..35	N	Not used
3164	City name	C an..35	N	Not used
C819	Country sub-entity details	C	N	
3229	Country sub-entity name code	C an..9	N	Not used
1131	Code list identification code	C an..17	N	Not used
3055	Code list responsible agency code	C an..3	N	Not used
3228	Country sub-entity name	C an..35	N	Not used
3251	Postal identification code	C an..17	N	Not used
3207	Country name code	C an..3	N	Not used

**Example:**

NAD+SCA+DE6006005:WH'

Counter	No	Tag	St	MaxOcc	Level	Name
1040		<b>SG20 ( 1 )</b>	D	1	2	<b>MEA</b>
1050	64	<b>MEA ( 1 )</b>	M	1	2	<b>Measurements</b>

Standard			Implementation	
Tag	Name	St Format	St Format	Usage / Remark
MEA				
6311	Measurement purpose code qualifier	M an..3	M an..3	<b>AAE Measurement</b>
C502	Measurement details	C	M	
6313	Measured attribute code	C an..3	M an..3	<b>G Gross weight</b>
6321	Measurement significance code	C an..3	N	Not used
6155	Non-discrete measurement name code	C an..17	N	Not used
6154	Non-discrete measurement name	C an..70	N	Not used
C174	Value/range	C	M	
6411	Measurement unit code	M an..3	M an..3	<b>KGM kilogram</b>
6314	Measurement value	C an..18	M an..16,6	
6162	Range minimum value	C n..18	N	Not used
6152	Range maximum value	C n..18	N	Not used
6432	Significant digits quantity	C n..2	N	Not used
7383	Surface or layer code	C an..3	N	Not used

**Example:**

MEA+AAE+G+KGM:22500'

Counter	No	Tag	St	MaxOcc	Level	Name
1100		<b>SG22</b> ( 1 )	C	9	2	RFF
1110	65	<b>RFF</b> ( 1 )	M	1	2	Reference

Standard			Implementation	
Tag	Name	St Format	St Format	Usage / Remark
RFF				
C506	Reference	M	M	
1153	Reference code qualifier	M an..3	M an..3	<p><b>CUS CUS code</b>  <i>Description:</i> CUS code for chemical substances and preparations. The format of this attribute is 9999999-9.</p> <p><i>Description:</i> CL719 CUS code As published in ECICS</p>
1154	Reference identifier	C an..70	C an9	<i>Description:</i> CUS code
1156	Document line identifier	C an..6	N	Not used
4000	Reference version identifier	C an..35	N	Not used
1060	Revision identifier	C an..6	N	Not used

**Example:**

RFF+CUS:567890'

Counter	No	Tag	St	MaxOcc	Level	Name
1130		<b>SG23</b> ( 1 )	O	99	2	<b>PCI</b>
1140	66	<b>PCI</b> ( 1 )	M	1	2	<b>Package identification</b>

Standard			Implementation	
Tag	Name	St Format	St Format	Usage / Remark
PCI				
4233	Marking instructions code	C an..3	N	Not used
C210	Marks & labels	C	R	
7102	Shipping marks description	M an..35	M an..512	<b>Description:</b> IF 'GOODS ITEM/PACKAGING/Type of packages' is 'VQ', 'VG', 'VL', 'VY', 'VR', 'VS', 'VO', 'NE', 'NF', 'NG', THEN this attribute is not used, ELSE it is M.
7102	Shipping marks description	C an..35	N	Not used
7102	Shipping marks description	C an..35	N	Not used
7102	Shipping marks description	C an..35	N	Not used
7102	Shipping marks description	C an..35	N	Not used
7102	Shipping marks description	C an..35	N	Not used
7102	Shipping marks description	C an..35	N	Not used
7102	Shipping marks description	C an..35	N	Not used
7102	Shipping marks description	C an..35	N	Not used
7102	Shipping marks description	C an..35	N	Not used
7102	Shipping marks description	C an..35	N	Not used
8275	Container or package contents indicator code	C an..3	N	Not used
C827	Type of marking	C	N	
7511	Marking type code	M an..3	N	Not used
1131	Code list identification code	C an..17	N	Not used
3055	Code list responsible agency code	C an..3	N	Not used

**Example:**

PCI++EXAMPLE SHIPPING MARKS'

Counter	No	Tag	St	MaxOcc	Level	Name
---------	----	-----	----	--------	-------	------

1180      **SG24** ( 1 )      D      99      2      **Supporting documents**

This should be provided, if available, either at CONSIGNMENT level or GOODS ITEM level. Where the same information is applicable to all Goods items in the same Consignment, it should be provided at CONSIGNMENT level only.

1190      67      **DOC** ( 1 )      M      1      2      **Document/message details**

Standard			Implementation	
Tag	Name	St Format	St Format	Usage / Remark
DOC				
C002	Document/message name	M	M	
1001	Document name code	C an..3	C an..3	<b>SD Supporting Documents</b>
1131	Code list identification code	C an..17	N	Not used
3055	Code list responsible agency code	C an..3	N	Not used
1000	Document name	C an..35	C an..17	<b>Description:</b> Document type: CL013 Document type List of document types as published in CS/RD2
C503	Document/message details	C	C	
1004	Document identifier	C an..35	C an..70	<b>Description:</b> Reference number
1373	Document status code	C an..3	N	Not used
1366	Document source description	C an..70	N	Not used
3453	Language name code	C an..3	N	Not used
1056	Version identifier	C an..9	N	Not used
1060	Revision identifier	C an..6	N	Not used
3153	Communication medium type code	C an..3	N	Not used
1220	Document copies required quantity	C n..2	N	Not used
1218	Document originals required quantity	C n..2	N	Not used

**Example:**

DOC+SD:::N704+ABCD2106468740X'



Counter	No	Tag	St	MaxOcc	Level	Name
---------	----	-----	----	--------	-------	------

1260      **SG27 ( 1 )**      D      9999      2      **SGP**

A segment to identify the equipment in which goods are transported.

1270    68      **SGP ( 1 )**      M      1      2      **Split goods placement**

Standard			Implementation	
Tag	Name	St Format	St Format	Usage / Remark
SGP				
C237	Equipment identification	M	M	
8260	Equipment identifier	C an..17	M an..17	
1131	Code list identification code	C an..17	N	Not used
3055	Code list responsible agency code	C an..3	N	Not used
3207	Country name code	C an..3	N	Not used
7224	Package quantity	C n..8	N	Not used

**Example:**

SGP+CARR3322115'

Counter	No	Tag	St	MaxOcc	Level	Name
1410		<b>SG30 ( 1 )</b>	C	99	2	<b>DGS-FTX</b>
1420	69	<b>DGS ( 1 )</b>	M	1	2	<b>Dangerous goods</b>

Standard			Implementation	
Tag	Name	St Format	St Format	Usage / Remark
DGS				
8273	Dangerous goods regulations code	C an..3	C an..3	<b>IMD IMO IMDG code</b>
C205	Hazard code	C	N	
8351	Hazard identification code	M an..7	N	Not used
8078	Additional hazard classification identifier	C an..7	N	Not used
8092	Hazard code version identifier	C an..10	N	Not used
C234	UNDG information	C	M	
7124	United Nations Dangerous Goods (UNDG) identifier	C n4	M n4	<b>Description:</b> United Nations Dangerous Goods Identifier (UNDG). CL101 UNDG Code UN dangerous goods list as published in CS/RD2
7088	Dangerous goods flashpoint value	C an..8	N	Not used
C223	Dangerous goods shipment flashpoint	C	N	
7106	Shipment flashpoint value	C n3	N	Not used
6411	Measurement unit code	C an..3	N	Not used
8339	Packaging danger level code	C an..3	N	Not used
8364	Emergency procedure for ships identifier	C an..6	N	Not used
8410	Hazard medical first aid guide identifier	C an..4	N	Not used
8126	Transport emergency card identifier	C an..10	N	Not used
C235	Hazard identification placard details	C	N	
8158	Orange hazard placard upper part identifier	C an..4	N	Not used
8186	Orange hazard placard lower part identifier	C an4	N	Not used
C236	Dangerous goods label	C	N	
8246	Dangerous goods marking identifier	C an..4	N	Not used
8246	Dangerous goods marking identifier	C an..4	N	Not used
8246	Dangerous goods marking identifier	C an..4	N	Not used
8255	Packing instruction type code	C an..3	N	Not used
8325	Hazardous means of transport category code	C an..3	N	Not used
8211	Hazardous cargo transport authorisation code	C an..3	N	Not used

**Example:**

DGS+IMD++9999'

Counter	No	Tag	St	MaxOcc	Level	Name
1410		<b>SG30 ( 1 )</b>	C	99	2	<b>DGS-FTX</b>
1430	70	<b>FTX ( 1 )</b>	C	1	3	<b>Free text</b>

Standard			Implementation	
Tag	Name	St Format	St Format	Usage / Remark
FTX				
4451	Text subject code qualifier	M an..3	M an..3	<b>AAD Dangerous goods, technical name</b>
4453	Free text function code	C an..3	N	Not used
C107	Text reference	C	N	
4441	Free text value code	M an..17	N	Not used
1131	Code list identification code	C an..17	N	Not used
3055	Code list responsible agency code	C an..3	N	Not used
C108	Text literal	C	C	
4440	Free text value	M an..512	M an..70	<b>Description:</b> DG Technical Name
4440	Free text value	C an..512	C an..70	
4440	Free text value	C an..512	C an..70	
4440	Free text value	C an..512	C an..70	
4440	Free text value	C an..512	C an..70	
3453	Language name code	C an..3	N	Not used
4447	Free text format code	C an..3	N	Not used

**Example:**

FTX+AAD+++EXAMPLE NAME '

Counter	No	Tag	St	MaxOcc	Level	Name
---------	----	-----	----	--------	-------	------

1550      **SG35 ( 1 )**      C      9999      1      **EQD-SEL**

IF 'Container indicator' is set to '1',  
THEN this class is M at 'CONSIGNMENT or 'GOODS ITEM' level,  
ELSE it is not used.

This should be provided, if available

1560      71      **EQD ( 1 )**      M      1      1      **Equipment details**

Standard			Implementation	
Tag	Name	St Format	St Format	Usage / Remark
<b>EQD</b>				
8053	Equipment type code qualifier	M an..3	M an..3	<b>CN Container</b>
C237	Equipment identification	C	M	
8260	Equipment identifier	C an..17	M an..17	<b>Description:</b> Container Number <b>Description:</b> The format of this attribute is ZZZZ9999999 (ISO 6346). For shippers own container please use prefix "XXXX".
1131	Code list identification code	C an..17	N	Not used
3055	Code list responsible agency code	C an..3	N	Not used
3207	Country name code	C an..3	N	Not used
C224	Equipment size and type	C	C	
8155	Equipment size and type description code	C an..10	C an..10	<b>Description:</b> Container SizeType according to CL710. <b>Description:</b> Mandatory for F10, F11, F14 and F15. Optional for F12, F13.
1131	Code list identification code	C an..17	N	Not used
3055	Code list responsible agency code	C an..3	N	Not used
8154	Equipment size and type description	C an..35	N	Not used
8077	Equipment supplier code	C an..3	C an..3	<b>1 Shipper supplied</b> <b>2 Carrier supplied</b> <b>Description:</b> Shipper's Own Indicator <b>Description:</b> Mandatory for F10, F11, F14 and F15. Optional for F12, F13.
8249	Equipment status code	C an..3	N	Not used
8169	Full or empty indicator code	C an..3	C an..3	<b>4 Empty</b> <b>5 Full</b> <b>Description:</b> Full/Empty Indicator also known as "container packed status" <b>Description:</b> Mandatory for F10, F11, F14 and F15. Optional for F12, F13.

**Example:**

EQD+CN+CARR3322115+44+1++4'

Counter	No	Tag	St	MaxOcc	Level	Name
---------	----	-----	----	--------	-------	------

1550      **SG35 ( 1 )**      C      9999      1      **EQD-SEL**

IF 'Container indicator' is set to '1',  
 THEN this class is M at 'CONSIGNMENT' or 'GOODS ITEM' level,  
 ELSE it is not used.

This should be provided, if available

1610    72      **SEL ( 1 )**      C      99      2      **Seal number**

Standard			Implementation	
Tag	Name	St Format	St Format	Usage / Remark
SEL				
9308	Seal identifier	C an..35	C an..20	
C215	Seal issuer	C	N	
9303	Sealing party name code	C an..3	N	Not used
1131	Code list identification code	C an..17	N	Not used
3055	Code list responsible agency code	C an..3	N	Not used
9302	Sealing party name	C an..35	N	Not used
4517	Seal condition code	C an..3	N	Not used
C208	Identity number range	C	N	
7402	Object identifier	M an..35	N	Not used
7402	Object identifier	C an..35	N	Not used

**Example:**

SEL+1210404'

Counter	No	Tag	St	MaxOcc	Level	Name
1870	73	<b>UNT</b> ( 1 )	M	1	0	Message trailer

Standard			Implementation	
Tag	Name	St Format	St Format	Usage / Remark
UNT				
0074	Number of segments in the message	M n..6	M n..6	
0062	Message reference number	M an..14	M an..14	

**Example:**

UNT+76+20100122171055'

Counter	No	Tag	St	MaxOcc	Level	Name
0000	74	<b>UNZ</b> ( 1 )	M	1	0	Interchange trailer

Standard			Implementation	
Tag	Name	St Format	St Format	Usage / Remark
UNZ				
0036	Interchange control count	M n..6	M n..6	
0020	Interchange control reference	M an..14	M an..14	

**Example:**

UNZ+1+20140123100000'