

ICS2 Arrival Notice (EDIFACT IFTSTA)

Message Implementation Guide

Version 1.0.5

(Valid from 01 October 2024)

DAKOSY
Datenkommunikationssystem AG

Mattentwiete 2
20457 Hamburg
www.dakosy.de

Phone: + 49 40 37003 0
Fax: + 49 40 37003 370
info@dakosy.de

Change history

Version	Chapter/ Section	Reason	Name	Date
1.0.0	All	Initial Document	Malzahn	04.07.2023
1.0.1	2.3, 3	correction of examplpe (LRN,UNT,DTM)	Kunze	18.08.2023
1.0.2	3	Element description added	Kunze	23.08.2023
1.0.3	All	TDT: conveyence reference number/voage number is not in use for ICS2 sea freight Format for telephone number described and in examples changed.	Kunze	05.02.2024
1.0.4	Examples	Three new example messages	Kunze	06.02.2024
1.0.5	Structure	Estimated Date of arrival (DTM+132) is conditional. SG7 has max one repetition.	Kunze	01.10.2024

Change requests

DAKOSY

Datenkommunikationssystem AG

Mattentwiete 2

20457 Hamburg

1. Phone: + 49 40 37003 - 0
2. Fax: + 49 40 37003 - 370
3. Email: info@dakosy.de

Used tools

Number	Used tools
W1	This document has been created using <i>Microsoft Word</i> .

Liability

1. Please note that no liability claims can be derived towards DAKOSY AG for the content of this manual, despite careful development and examination of this document!



Table of contents

- 1 Introduction4**
- 2 Data within the Arrival Notification5**
 - 2.1 Three ways to declare an Arrival Notification..... 5
 - 2.2 Local Reference Number and MRN..... 5
 - 2.3 Examples 6
- 3 Segment structure8**



1 Introduction

This document describes the subset of the IFTSTA EDIFACT message which the carrier is using to submit arrival notifications to DAKOSY ICS2.

Based on this information, DAKOSY ICS2 will create and send the according IE3N06 message to the shared trader interface (STI).

2 Data within the Arrival Notification

This document describes one of the messages used with ZODIAK ICS2 to send the Arrival Notification to customs. This message has to be sent to upon arrival of an inbound vessel at the first customs office at entry. The Arrival notification is not intended to be amended or invalidated.

2.1 Three ways to declare an Arrival Notification

There are three options for listing of the ENS's in an Arrival notification. They are mutually exclusive and are used from the content of the provided Arrival notification in the below priority:

- The MRN of the ENS (the MRN of the ENS filing containing the master level transport information).
- The Master transport document reference and the estimated date and time of arrival.
- The Active border transport means identity (ship IMO) and the estimated date and time of arrival. Based on these identifiers, it could be identified to which ENS's the Arrival notification refers

2.2 Local Reference Number and MRN

- **Local Reference Number:** The Local Reference Number is a reference assigned by the declarant, which should allow the declarant to link a declaration to data in his, own IT system. The Local Reference of the Arrival Notice is different from the ones of the Entry Summary Declarations. The LRN has to be unique per customer, i.e. it cannot be used twice.
- **Arrival Notification MRN:** The EU customs system does indeed assign a new MRN to the arrival notification via the IE3R04 message. It's a specific MRN which is different from the MRNs assigned to the ENS declarations affected by the Arrival Notice. However, this MRN currently does not have to be re-sent with any further messages.

2.3 Examples

Example with Active border transport means identity/ship IMO (TDT) and ETA (DTM+132):

UNA:+.? '
UNB+UNOC:3+XYZ+DAK+20240206:1600+3333+++++1'
UNH+4444+IFTSTA:D:00B:UN:ARN10'
BGM+98+LRN00001'
DTM+137:202402061100:203'
NAD+PNA+DE9999999997'
CTA+IC'
COM+?+4912323434:TE'
NAD+N1+DE9999999998'
CTA+IC'
COM+?+4912323434:TE'
CNI+1'
STS++1'
TDT+11++1+++++99999999:10'
LOC+41+DE004501'
DTM+178:202402061245:203'
DTM+132:202402061200:203'
UNT+16+4444'
UNZ+1+3333'

Example with MRN:

UNA:+.? '
UNB+UNOC:3+XYZ+DAK+20240206:1600+3333+++++1'
UNH+4444+IFTSTA:D:00B:UN:ARN10'
BGM+98+LRN00002'
DTM+137:202402061100:203'
NAD+PNA+DE9999999997'
CTA+IC'
COM+?+4912323434:TE'
NAD+N1+DE9999999998'
CTA+IC'
COM+?+4912323434:TE'
CNI+1'
STS++1'
RFF+MRN:23DE45102408795414'
TDT+11++1+++++9999999:10'
LOC+41+DE004501'
DTM+178:202402061245:203'
UNT+16+4444'
UNZ+1+3333'

Example with BL-Number (Master Transport document (DOC+)) and ETA (DTM+132):

UNA:+.? '
UNB+UNOC:3+XYZ+DAK+20240206:1600+3333+++++1'
UNH+4444+IFTSTA:D:00B:UN:ARN10'
BGM+98+LRN00003'
DTM+137:202402061100:203'
NAD+PNA+DE9999999997'
CTA+IC'
COM+?+4912323434:TE'
NAD+N1+DE9999999998'
CTA+IC'
COM+?+4912323434:TE'
CNI+1'
STS++1'
DOC+:::N704+ABCD2106468740X'
TDT+11++1+++++9999999:10'
LOC+41+DE004501'
DTM+178:202402061245:203'
DTM+132:202402061200:203'
UNT+17+4444'
UNZ+1+3333'

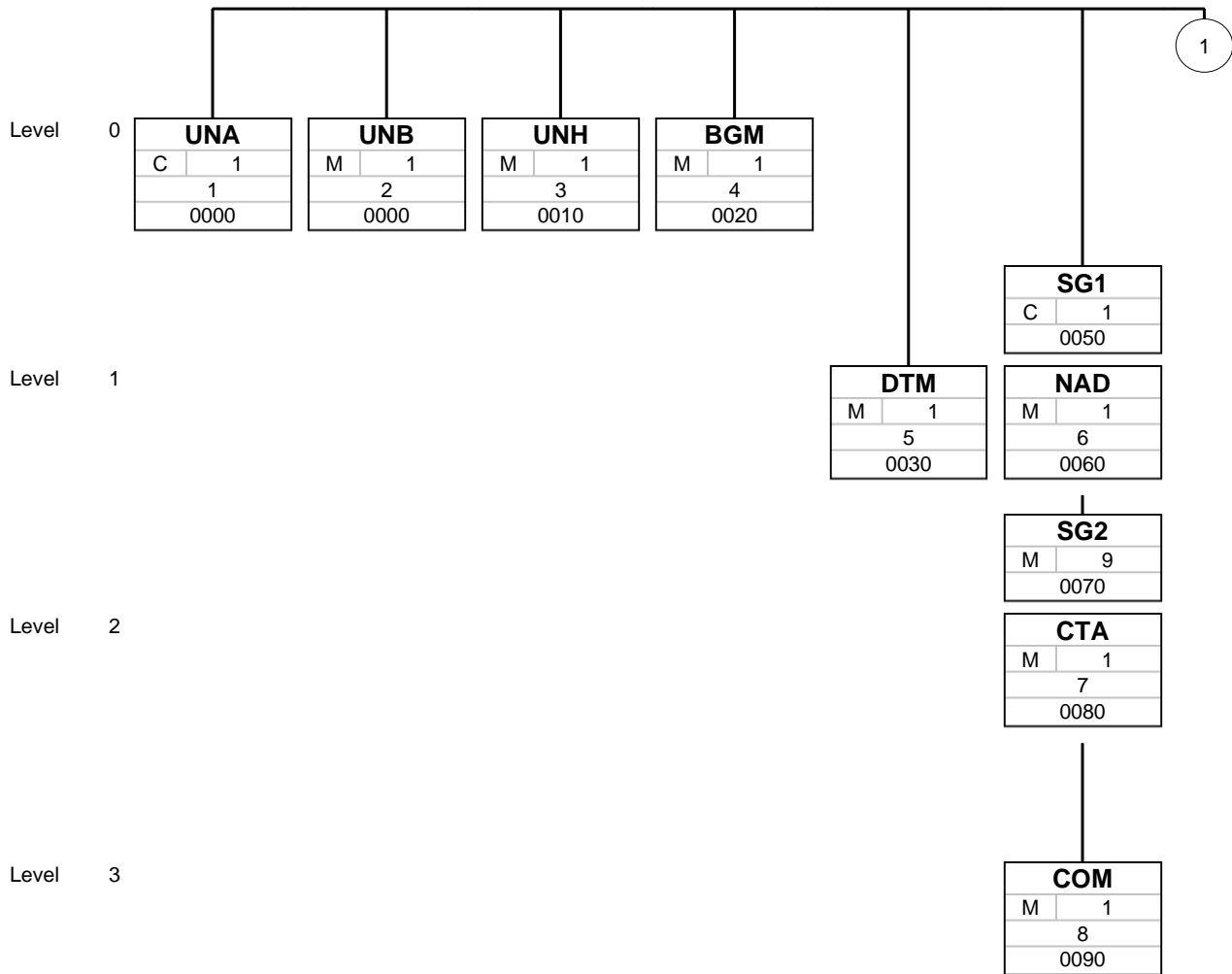


3 Segment structure

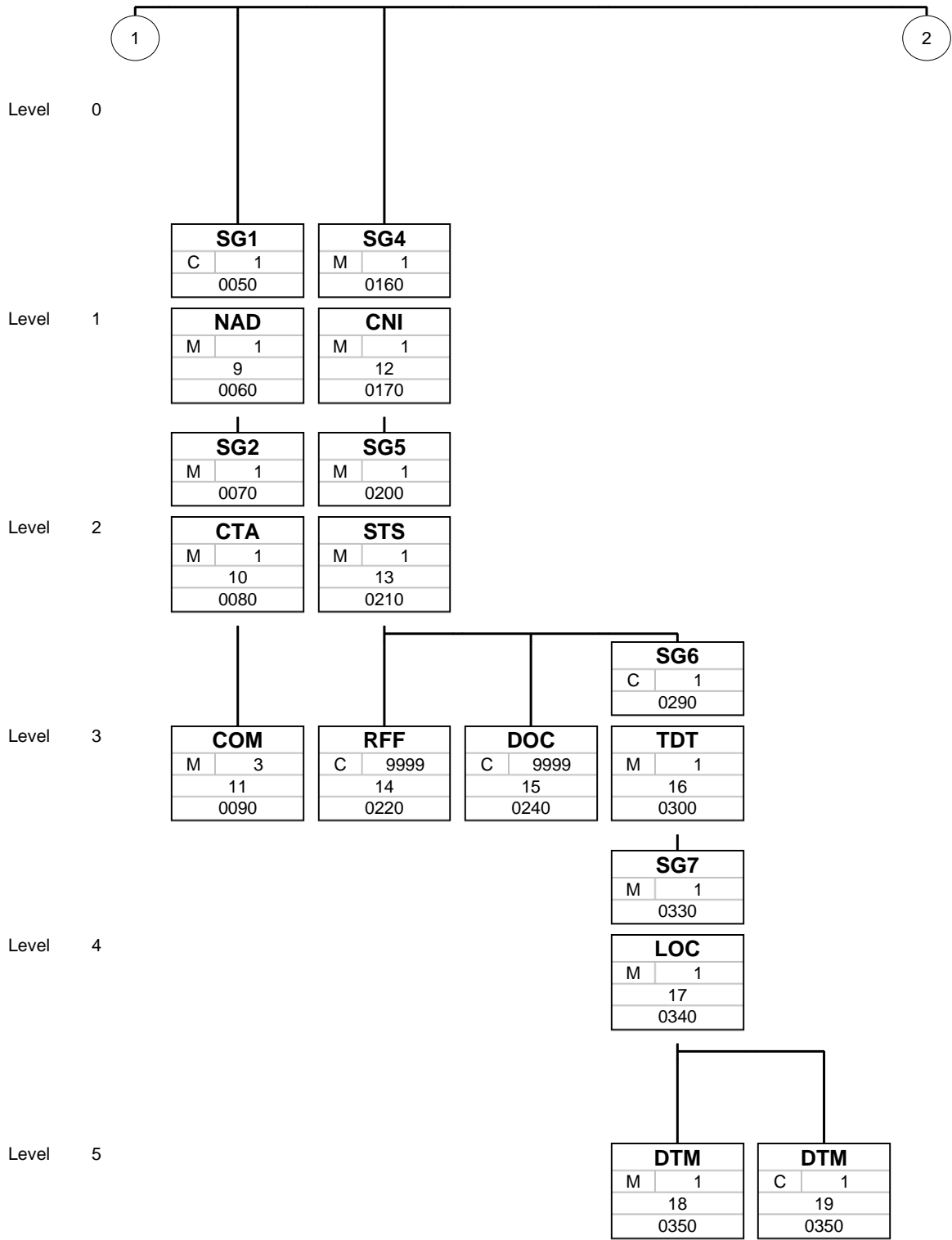
Structure / Table of Contents

Counte	No	Tag	St	MaxOcc	Level	Content	
	0000	1	UNA	C	1	0	Service string advice
	0000	2	UNB	M	1	0	Interchange header
	0010	3	UNH	M	1	0	Message header
	0020	4	BGM	M	1	0	Beginning of message
	0030	5	DTM	M	1	1	Message Date
	0050		SG1	C	1	1	Person notifying the arrival
	0060	6	NAD	M	1	1	Name and address
	0070		SG2	M	9	2	CTA-COM
	0080	7	CTA	M	1	2	Contact information
	0090	8	COM	M	1	3	Communication contact
	0050		SG1	C	1	1	Notify Party
	0060	9	NAD	M	1	1	Name and address
	0070		SG2	M	1	2	CTA-COM
	0080	10	CTA	M	1	2	Contact information
	0090	11	COM	M	3	3	Communication contact
	0160		SG4	M	1	1	CNI-SG5
	0170	12	CNI	M	1	1	Consignment information
	0200		SG5	M	1	2	STS-RFF-DOC-SG6
	0210	13	STS	M	1	2	Status
	0220	14	RFF	C	9999	3	MRN
	0240	15	DOC	C	9999	3	Related transport Document
	0290		SG6	C	1	3	TDT-SG7
	0300	16	TDT	M	1	3	Details of transport
	0330		SG7	M	1	4	LOC-DTM-DTM
	0340	17	LOC	M	1	4	Actual customs office at entry
	0350	18	DTM	M	1	5	Actual date of arrival
	0350	19	DTM	C	1	5	Estimated date of arrival
	0620	20	UNT	M	1	0	Message trailer
	0000	21	UNZ	M	1	0	Interchange trailer

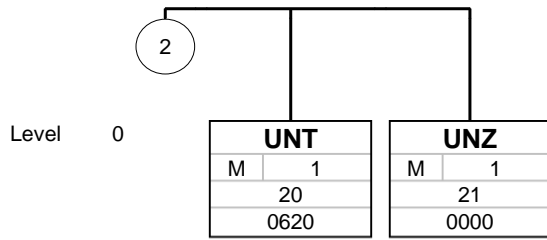
Structure / Table of Contents



Structure / Table of Contents



Structure / Table of Contents



Structure / Table of Contents

Counter	No	Tag	St	MaxOcc	Level	Name
0000	1	UNA (1)	C	1	0	Service string advice

		Standard	Implementation	
Tag	Name	St Format	St Format	Usage / Remark
UNA				
UNA1	Component data element separator	M an1	M an1	
UNA2	Data element separator	M an1	M an1	
UNA3	Decimal mark	M an1	M an1	
UNA4	Release character	M an1	M an1	
UNA5	Repetition separator	M an1	M an1	
UNA6	Segment terminator	M an1	M an1	

Example:

UNA:+. ? ' '

Structure / Table of Contents

Counter	No	Tag	St	MaxOcc	Level	Name
0000	2	UNB (1)	M	1	0	Interchange header

			Standard	Implementation		
Tag	Name	St	Format	St	Format	Usage / Remark
UNB						
S001	Syntax identifier	M		M		
0001	Syntax identifier	M	a4	M	a4	
0002	Syntax version number	M	an1	M	an1	
0080	Service code list directory version number	C	an..6	N		Not used
0133	Character encoding, coded	C	an..3	N		Not used
S002	Interchange sender	M		M		
0004	Interchange sender identification	M	an..35	M	an..35	Description: DAKOSY Participant Code of the sending party
0007	Identification code qualifier	C	an..4	N		Not used
0008	Interchange sender internal identification	C	an..35	N		Not used
0042	Interchange sender internal sub-identification	C	an..35	N		Not used
S003	Interchange recipient	M		M		
0010	Interchange recipient identification	M	an..35	M	an..35	
0007	Identification code qualifier	C	an..4	N		Not used
0014	Interchange recipient internal identification	C	an..35	N		Not used
0046	Interchange recipient internal sub-identification	C	an..35	N		Not used
S004	Date and time of preparation	M		M		
0017	Date	M	n8	M	n8	
0019	Time	M	n4	M	n4	
0020	Interchange control reference	M	an..14	M	an..14	Description: A unique reference number identifying this EDIFACT interchange.
S005	Recipient reference/password details	C		N		
0022	Recipient reference/password	M	an..14	N		Not used
0025	Recipient reference/password qualifier	C	an2	N		Not used
0026	Application reference	C	an..14	N		Not used
0029	Processing priority code	C	a1	N		Not used
0031	Acknowledgement request	C	n1	N		Not used
0032	Interchange agreement identifier	C	an..35	N		Not used
0035	Test indicator	C	n1	C	n1	Description: Test indicator. If this field is submitted and has a value '1', the message will be treated as a test message.

Example:

UNB+UNOC:3+XYZ+DAK+20230114:1600+3333+++++1'

Structure / Table of Contents

Counter	No	Tag	St	MaxOcc	Level	Name
0010	3	UNH (1)	M	1	0	Message header

Standard			Implementation	
Tag	Name	St Format	St Format	Usage / Remark
UNH				
0062	Message reference number	M an..14	M an..14	Description: Unique technical reference identifying this EDIFACT message
S009	Message identifier	M	M	
0065	Message type	M an..6	M an..6	
0052	Message version number	M an..3	M an..3	
0054	Message release number	M an..3	M an..3	
0051	Controlling agency, coded	M an..3	M an..3	
0057	Association assigned code	C an..6	C an..6	Description: A code identifying the interface specification version used. For the IFTSTA within ICS2 the code will be ARN10 for all 1.x versions of the interface.
0110	Code list directory version number	C an..6	N	Not used
0113	Message type sub-function identification	C an..6	N	Not used
0068	Common access reference	C an..35	N	Not used
S010	Status of the transfer	C	N	
0070	Sequence of transfers	M n..2	N	Not used
0073	First and last transfer	C a1	N	Not used
S016	Message subset identification	C	N	
0115	Message subset identification	M an..14	N	Not used
0116	Message subset version number	C an..3	N	Not used
0118	Message subset release number	C an..3	N	Not used
0051	Controlling agency, coded	C an..3	N	Not used
S017	Message implementation guideline identification	C	N	
0121	Message implementation guideline identification	M an..14	N	Not used
0122	Message implementation guideline version number	C an..3	N	Not used
0124	Message implementation guideline release number	C an..3	N	Not used
0051	Controlling agency, coded	C an..3	N	Not used
S018	Scenario identification	C	N	
0127	Scenario identification	M an..14	N	Not used
0128	Scenario version number	C an..3	N	Not used
0130	Scenario release number	C an..3	N	Not used
0051	Controlling agency, coded	C an..3	N	Not used

Example:

UNH+4444+IFTSTA:D:00B:UN:ARN10'

Structure / Table of Contents

Counter	No	Tag	St	MaxOcc	Level	Name
0020	4	BGM (1)	M	1	0	Beginning of message

Standard			Implementation	
Tag	Name	St Format	St Format	Usage / Remark
BGM				
C002	Document/message name	C	C	
1001	Document name code	C an..3	C an..3	98 Arrival information
1131	Code list identification code	C an..17	N	Not used
3055	Code list responsible agency code	C an..3	N	Not used
1000	Document name	C an..35	N	Not used
C106	Document/message identification	C	M	
1004	Document identifier	C an..35	M an..22	Description: Arrival LRN
1056	Version identifier	C an..9	N	Not used
1060	Revision identifier	C an..6	N	Not used
1225	Message function code	C an..3	N	Not used
4343	Response type code	C an..3	N	Not used

Example:

BGM+98+LRN0001'

Structure / Table of Contents

Counter	No	Tag	St	MaxOcc	Level	Name
0030	5	DTM (1)	M	1	1	Message Date

Standard			Implementation	
Tag	Name	St Format	St Format	Usage / Remark
DTM				
C507	Date/time/period	M	M	
2005	Date or time or period function code qualifier	M an..3	M an..3	137 Document/message date/time
2380	Date or time or period value	C an..35	M an..35	Message Creation Date
2379	Date or time or period format code	C an..3	C an..3	203 CCYYMMDDHHMM

Example:

DTM+137:201401291703:203'

Structure / Table of Contents

Counter	No	Tag	St	MaxOcc	Level	Name
0050		SG1 (1)	C	1	1	Person notifying the arrival
0060	6	NAD (1)	M	1	1	Name and address

Standard			Implementation	
Tag	Name	St Format	St Format	Usage / Remark
NAD				
3035	Party function code qualifier	M an..3	M an..3	PNA Person notifying the arriva
C082	Party identification details	C	M	
3039	Party identifier	M an..35	M an..35	Identification number
1131	Code list identification code	C an..17	N	Not used
3055	Code list responsible agency code	C an..3	N	Not used
C058	Name and address	C	N	
3124	Name and address description	M an..35	N	Not used
3124	Name and address description	C an..35	N	Not used
3124	Name and address description	C an..35	N	Not used
3124	Name and address description	C an..35	N	Not used
3124	Name and address description	C an..35	N	Not used
C080	Party name	C	N	
3036	Party name	M an..35	N	Not used
3036	Party name	C an..35	N	Not used
3036	Party name	C an..35	N	Not used
3036	Party name	C an..35	N	Not used
3036	Party name	C an..35	N	Not used
3045	Party name format code	C an..3	N	Not used
C059	Street	C	N	
3042	Street and number or post office box identifier	M an..35	N	Not used
3042	Street and number or post office box identifier	C an..35	N	Not used
3042	Street and number or post office box identifier	C an..35	N	Not used
3042	Street and number or post office box identifier	C an..35	N	Not used
3164	City name	C an..35	N	Not used
C819	Country sub-entity details	C	N	
3229	Country sub-entity name code	C an..9	N	Not used
1131	Code list identification code	C an..17	N	Not used
3055	Code list responsible agency code	C an..3	N	Not used
3228	Country sub-entity name	C an..35	N	Not used
3251	Postal identification code	C an..17	N	Not used
3207	Country name code	C an..3	N	Not used

Example:

NAD+PNA+DE00605411'

Structure / Table of Contents

Counter	No	Tag	St	MaxOcc	Level	Name
0070		SG2 (1)	M	9	2	CTA-COM
0080	7	CTA (1)	M	1	2	Contact information

Standard			Implementation	
Tag	Name	St Format	St Format	Usage / Remark
CTA				
3139	Contact function code	C an..3	C an..3	IC Information contact
C056	Department or employee details	C	N	
3413	Department or employee name code	C an..17	N	Not used
3412	Department or employee name	C an..35	N	Not used

Example:

CTA+IC'

Structure / Table of Contents

Counter	No	Tag	St	MaxOcc	Level	Name
0070		SG2 (1)	M	9	2	CTA-COM
0090	8	COM (1)	M	1	3	Communication contact

Standard			Implementation	
Tag	Name	St Format	St Format	Usage / Remark
COM				
C076	Communication contact	M	M	
3148	Communication address identifier	M an..512	M an..512	Identifier
3155	Communication address code qualifier	M an..3	M an..3	TE Telephone EM Electronic mail Description: When 'COMMUNICATION/Type' is 'TE' the 'COMMUNICATION/Identifier' has to have an international phone number format as defined in the ITU-T recommendation E.123 (02/2001). The format must be compliant with the pattern "\{0-9\} {6,14}[0-9]\$".

Example:

COM+?+4912323434:TE'

Structure / Table of Contents

Counter	No	Tag	St	MaxOcc	Level	Name
0050		SG1 (2)	C	1	1	Notify Party
0060	9	NAD (1)	M	1	1	Name and address

Standard			Implementation	
Tag	Name	St Format	St Format	Usage / Remark
NAD				
3035	Party function code qualifier	M an..3	M an..3	N1 Notify party no. 1
C082	Party identification details	C	C	
3039	Party identifier	M an..35	M an..35	Identification number
1131	Code list identification code	C an..17	N	Not used
3055	Code list responsible agency code	C an..3	N	Not used
C058	Name and address	C	N	
3124	Name and address description	M an..35	N	Not used
3124	Name and address description	C an..35	N	Not used
3124	Name and address description	C an..35	N	Not used
3124	Name and address description	C an..35	N	Not used
3124	Name and address description	C an..35	N	Not used
C080	Party name	C	N	
3036	Party name	M an..35	N	Not used
3036	Party name	C an..35	N	Not used
3036	Party name	C an..35	N	Not used
3036	Party name	C an..35	N	Not used
3036	Party name	C an..35	N	Not used
3045	Party name format code	C an..3	N	Not used
C059	Street	C	N	
3042	Street and number or post office box identifier	M an..35	N	Not used
3042	Street and number or post office box identifier	C an..35	N	Not used
3042	Street and number or post office box identifier	C an..35	N	Not used
3042	Street and number or post office box identifier	C an..35	N	Not used
3164	City name	C an..35	N	Not used
C819	Country sub-entity details	C	N	
3229	Country sub-entity name code	C an..9	N	Not used
1131	Code list identification code	C an..17	N	Not used
3055	Code list responsible agency code	C an..3	N	Not used
3228	Country sub-entity name	C an..35	N	Not used
3251	Postal identification code	C an..17	N	Not used
3207	Country name code	C an..3	N	Not used

Example:

NAD+N1+DE00605411'

Structure / Table of Contents

Counter	No	Tag	St	MaxOcc	Level	Name
0070		SG2 (1)	M	1	2	CTA-COM
0080	10	CTA (1)	M	1	2	Contact information

Standard			Implementation	
Tag	Name	St Format	St Format	Usage / Remark
CTA				
3139	Contact function code	C an..3	C an..3	IC Information contact
C056	Department or employee details	C	N	
3413	Department or employee name code	C an..17	N	Not used
3412	Department or employee name	C an..35	N	Not used

Example:

CTA+IC'

Structure / Table of Contents

Counter	No	Tag	St	MaxOcc	Level	Name
0070		SG2 (1)	M	1	2	CTA-COM
0090	11	COM (1)	M	3	3	Communication contact

Standard			Implementation	
Tag	Name	St Format	St Format	Usage / Remark
COM				
C076	Communication contact	M	M	
3148	Communication address identifier	M an..512	M an..512	Identifier
3155	Communication address code qualifier	M an..3	M an..3	TE Telephone EM Electronic mail Description: When 'COMMUNICATION/Type' is 'TE' the 'COMMUNICATION/Identifier' has to have an international phone number format as defined in the ITU-T recommendation E.123 (02/2001). The format must be compliant with the pattern "\{0-9\} {6,14}[0-9]\$".

Example:

COM+?+4912323434:TE'

Structure / Table of Contents

Counter	No	Tag	St	MaxOcc	Level	Name
0160		SG4 (1)	M	1	1	CNI-SG5
0170	12	CNI (1)	M	1	1	Consignment information

Standard			Implementation	
Tag	Name	St Format	St Format	Usage / Remark
CNI				
1490	Consolidation item number	C n..4	C n..4	Description: Not in use for ICS2 IFTSTA but mandatory for technical reasons. Dummy value is "CNI+1"
C503	Document/message details	C	N	
1004	Document identifier	C an..35	N	Not used
1373	Document status code	C an..3	N	Not used
1366	Document source description	C an..70	N	Not used
3453	Language name code	C an..3	N	Not used
1056	Version identifier	C an..9	N	Not used
1060	Revision identifier	C an..6	N	Not used
1312	Consignment load sequence identifier	C n..4	N	Not used

Example:

CNI+1'

Structure / Table of Contents

Counter	No	Tag	St	MaxOcc	Level	Name
0200		SG5 (1)	M	1	2	STS-RFF-DOC-SG6
0210	13	STS (1)	M	1	2	Status

		Standard	Implementation		
Tag	Name	St Format	St Format	Usage / Remark	
STS					
C601	Status category	C	N		
9015	Status category code	M an..3	N	Not used	
1131	Code list identification code	C an..17	N	Not used	
3055	Code list responsible agency code	C an..3	N	Not used	
C555	Status	C	M		
4405	Status description code	M an..3	M an..3	Description: 1 = Arrival Notice 1 Arrival	
1131	Code list identification code	C an..17	N	Not used	
3055	Code list responsible agency code	C an..3	N	Not used	
4404	Status description	C an..35	N	Not used	
C556	Status reason	C	N		
9013	Status reason description code	M an..3	N	Not used	
1131	Code list identification code	C an..17	N	Not used	
3055	Code list responsible agency code	C an..3	N	Not used	
9012	Status reason description	C an..256	N	Not used	
C556	Status reason	C	N		
9013	Status reason description code	M an..3	N	Not used	
1131	Code list identification code	C an..17	N	Not used	
3055	Code list responsible agency code	C an..3	N	Not used	
9012	Status reason description	C an..256	N	Not used	
C556	Status reason	C	N		
9013	Status reason description code	M an..3	N	Not used	
1131	Code list identification code	C an..17	N	Not used	
3055	Code list responsible agency code	C an..3	N	Not used	
9012	Status reason description	C an..256	N	Not used	
C556	Status reason	C	N		
9013	Status reason description code	M an..3	N	Not used	
1131	Code list identification code	C an..17	N	Not used	
3055	Code list responsible agency code	C an..3	N	Not used	
9012	Status reason description	C an..256	N	Not used	
C556	Status reason	C	N		
9013	Status reason description code	M an..3	N	Not used	
1131	Code list identification code	C an..17	N	Not used	

Structure / Table of Contents

3055	Code list responsible agency code	C an..3	N	Not used
9012	Status reason description	C an..256	N	Not used

Example:

STS++1'

Structure / Table of Contents

STS++1'

Structure / Table of Contents

Counter	No	Tag	St	MaxOcc	Level	Name
0200		SG5 (1)	M	1	2	STS-RFF-DOC-SG6
0220	14	RFF (1)	C	9999	3	MRN

Standard			Implementation	
Tag	Name	St Format	St Format	Usage / Remark
RFF				
C506	Reference	M	M	
1153	Reference code qualifier	M an..3	M an..3	MRN Movement reference number
1154	Reference identifier	C an..70	M an..70	Description: MRN to which this message applies
1156	Document line identifier	C an..6	N	Not used
4000	Reference version identifier	C an..35	N	Not used
1060	Revision identifier	C an..6	N	Not used

Example:

RFF+MRN:10DE451024087954I4'

Structure / Table of Contents

Counter	No	Tag	St	MaxOcc	Level	Name
0200		SG5 (1)	M	1	2	STS-RFF-DOC-SG6
0240	15	DOC (1)	C	9999	3	Related transport Document

Standard			Implementation	
Tag	Name	St Format	St Format	Usage / Remark
DOC				
C002	Document/message name	M	M	
1001	Document name code	C an..3	N	Not used
1131	Code list identification code	C an..17	N	Not used
3055	Code list responsible agency code	C an..3	N	Not used
1000	Document name	C an..35	C an4	Type
C503 Document/message details				
1004	Document identifier	C an..35	C an..35	Reference number
1373	Document status code	C an..3	N	Not used
1366	Document source description	C an..70	N	Not used
3453	Language name code	C an..3	N	Not used
1056	Version identifier	C an..9	N	Not used
1060	Revision identifier	C an..6	N	Not used
3153	Communication medium type code	C an..3	N	Not used
1220	Document copies required quantity	C n..2	N	Not used
1218	Document originals required quantity	C n..2	N	Not used

Example:

DOC+:::N704+ABCD2106468740X'

Structure / Table of Contents

Counter	No	Tag	St	MaxOcc	Level	Name
0290		SG6 (1)	C	1	3	TDT-SG7
0300	16	TDT (1)	M	1	3	Details of transport

Standard			Implementation	
Tag	Name	St Format	St Format	Usage / Remark
TDT				
8051	Transport stage code qualifier	M an..3	M an..3	11 At border
8028	Means of transport journey identifier	C an..17	N	Conveyance reference number (not in use for ICS2 sea freight) Not used
C220	Mode of transport	C	M	
8067	Transport mode name code	C an..3	M n1	Mode of transport 1 Maritime transport 2 Rail transport 3 Road transport 4 Air transport 5 Mail 7 Fixed transport installations 8 Inland water transport 9 Mode unknown
8066	Transport mode name	C an..17	N	Not used
C228	Transport means	C	N	
8179	Transport means description code	C an..8	N	Not used
8178	Transport means description	C an..17	N	Not used
C040	Carrier	C	N	
3127	Carrier identifier	C an..17	N	Not used
1131	Code list identification code	C an..17	N	Not used
3055	Code list responsible agency code	C an..3	N	Not used
3128	Carrier name	C an..35	N	Not used
8101	Transit direction indicator code	C an..3	N	Not used
C401	Excess transportation information	C	N	
8457	Excess transportation reason code	M an..3	N	Not used
8459	Excess transportation responsibility code	M an..3	N	Not used
7130	Customer shipment authorisation identifier	C an..17	N	Not used
C222	Transport identification	C	C	
8213	Transport means identification name identifier	C an..9	M an..9	IMO Number

Structure / Table of Contents

1131	Code list identification code	C an..17	C n2	<p>Type of identification</p> <p>Remark: <i>When 'ACTIVE BORDER TRANSPORT MEANS/ Mode of transport' is '1' the value of this attribute must be '10'.</i></p> <p>Remark: <i>When 'ACTIVE BORDER TRANSPORT MEANS/ Mode of transport' is '8' the value of this attribute must be '80'.</i></p> <p>10 IMO Ship Identification Number</p> <p>20 Wagon Number</p> <p>21 Train Number</p> <p>30 Registration Number of the Road Vehicle</p> <p>31 Registration Number of the Road Trailer</p> <p>41 Registration Number of the Aircraft</p> <p>80 European Vessel Identification Number (ENI)</p>
------	-------------------------------	----------	------	--

Structure / Table of Contents

		Standard	Implementation	
Tag	Name	St Format	St Format	Usage / Remark
				Code)
3055	Code list responsible agency code	C an..3	N	Not used
8212	Transport means identification name	C an..35	N	Not used
8453	Transport means nationality code	C an..3	N	Not used
8281	Transport means ownership indicator code	C an..3	N	Not used

Example:

TDT+11++1+++++9999999:10'

Structure / Table of Contents

Counter	No	Tag	St	MaxOcc	Level	Name
0330		SG7 (1)	M	1	4	LOC-DTM
0340	17	LOC (1)	M	1	4	Actual customs office at entry

Standard			Implementation	
Tag	Name	St Format	St Format	Usage / Remark
LOC				
3227	Location function code qualifier	M an..3	M an..3	41 Customs office of entry
C517	Location identification	C	C	
3225	Location name code	C an..25	M an8	Reference number
1131	Code list identification code	C an..17	N	Not used
3055	Code list responsible agency code	C an..3	N	Not used
3224	Location name	C an..256	N	Not used
C519	Related location one identification	C	N	
3223	First related location name code	C an..25	N	Not used
1131	Code list identification code	C an..17	N	Not used
3055	Code list responsible agency code	C an..3	N	Not used
3222	First related location name	C an..70	N	Not used
C553	Related location two identification	C	N	
3233	Second related location name code	C an..25	N	Not used
1131	Code list identification code	C an..17	N	Not used
3055	Code list responsible agency code	C an..3	N	Not used
3232	Second related location name	C an..70	N	Not used
5479	Relation code	C an..3	N	Not used

Example:

LOC+41+DE004501'

Structure / Table of Contents

Counter	No	Tag	St	MaxOcc	Level	Name
0330		SG7 (1)	M	1	4	LOC-DTM
0350	18	DTM (1)	M	1	5	Actual date of arrival

Standard			Implementation	
Tag	Name	St Format	St Format	Usage / Remark
DTM				
C507	Date/time/period	M	M	
2005	Date or time or period function code qualifier	M an..3	M an..3	178 Arrival date/time, actual
2380	Date or time or period value	C an..35	M n12	Actual date and time of arrival
2379	Date or time or period format code	C an..3	M an..3	203 CCYYMMDDHHMM

Example:

DTM+178:201310191245:203'

Structure / Table of Contents

Counter	No	Tag	St	MaxOcc	Level	Name
0330		SG7 (1)	M	1	4	LOC-DTM
0350	19	DTM (2)	C	1	5	Estimated date of arrival

			Standard	Implementation	
Tag	Name	St Format	St Format	St Format	Usage / Remark
DTM					
C507	Date/time/period	M	M		
2005	Date or time or period function code qualifier	M an..3	M an..3		132 Arrival date/time, estimated
2380	Date or time or period value	C an..35	M n12		Estimated date and time of arrival
2379	Date or time or period format code	C an..3	C an..3		203 CCYYMMDDHHMM

Example:

DTM+132:201306181024:203'

Structure / Table of Contents

Counter	No	Tag	St	MaxOcc	Level	Name
0620	20	UNT (1)	M	1	0	Message trailer

Standard			Implementation	
Tag	Name	St Format	St Format	Usage / Remark
UNT				
0074	Number of segments in a message	M n..10	M n..10	
0062	Message reference number	M an..14	M an..14	

Example:

UNT+26+4444 '

Structure / Table of Contents

Counter	No	Tag	St	MaxOcc	Level	Name
0000	21	UNZ (1)	M	1	0	Interchange trailer

Standard			Implementation	
Tag	Name	St Format	St Format	Usage / Remark
UNZ				
0036	Interchange control count	M n..6	M n..6	
0020	Interchange control reference	M an..14	M an..14	

Example:

UNZ+1+3333'