

Error and Response Message (EDIFACT APERAK for EXS)

Message Implementation Guide
Version 1.8.0

(Valid from March 2017)

DAKOSY
Datenkommunikationssystem AG

Mattentwiete 2
20457 Hamburg
www.dakosy.de

Phone: + 49 40 37003 0
Fax: + 49 40 37003 370
info@dakosy.de

Change history

Version	Chapter/ Section	Reason	Name	Date
1.2		Initial Version	Blanken	15.10.2010
1.3		(not released)		
1.4		Date of Registration might be reported either as Date (CCYYMMDD) or Date-Time (CCYYMMDDHHMM)	Blanken	04.12.2010
1.5		(not released)		
1.6.0		Added segments RFF+ACW (UNH reference of original message) and RFF+ABO (Local Reference Number). Amended documentation regarding DOC+355.	Blanken	31.03.2011
1.7.0		Addition of Branch No.	Diettrich	15.09.2012
1.8.0		Added segments to cope with two new messages (E_EXS_STA, E_EXS_CTL) in upcoming ATLAS release. Only available for EXS to German customs.	Lembke	17.02.2017

Change requests

DAKOSY

Datenkommunikationssystem AG

Mattentwiete 2

20457 Hamburg

1. Phone: + 49 40 37003 - 0
2. Fax: + 49 40 37003 - 370
3. Email: info@dakosy.de

Used tools

Number	Used tools
W1	This document has been created using <i>Microsoft Word 2010</i> .

Liability

1. Please note that no liability claims can be derived towards DAKOSY AG for the content of this manual, despite careful development and examination of this document!

Table of contents

1	Introduction	4
2	Data contained in Acknowledgement or Error Messages	5
2.1	Mapping of Acknowledgement and Error Messages to messages in ZODIAK ICS	5
2.2	Error Codes.....	5
3	Implementation / Guideline information	6
3.1	Usage of the APERAK within the EXS Process.....	6
3.2	Distinguishing the different purposes of an APERAK.....	6
3.2.1	Element BGM.1000 (Document Name).....	6
3.2.2	Element BGM.4343 (Response Type Code).....	6
3.2.3	Element SG4.ERC.9321 (Error Code)	6
4	Message Structure	7
5	Branching Diagram	8
6	Segment Description.....	13
7	Further information on ICS / ECS	41

1 Introduction

This document describes the EDIFACT APERAK message as it is used within the DAKOSY ICS system for returning information regarding Exit Summary Declarations to the parties involved.

The message is almost identical to the one used for ICS. However, since the EXS process itself is much more simple than the one for ICS, a number of segments used for ICS are not necessary in the EXS message.

Aside from the “missing” fields, the main differences between the APERAK for ICS and the one for EXS are:

Field	Content
UNH.S009.0057 (Association Assigned Code)	Contains “EAP[Version]” instead of “APP[Version]”
BGM.C002.1000 (Document Name)	Different Codelist (see 2.2.1)

2 Data contained in Acknowledgement or Error Messages

This document describes one of the messages used by ZODIAK ICS to report the successful (or unsuccessful) processing of data back to the sender of that data.

2.1 Mapping of Acknowledgement and Error Messages to messages in ZODIAK ICS

Due to structural differences and different restrictions imposed by the EDIFACT and XML messages used for ZODIAK ICS, differences exist between the conversion of acknowledgement/error messages for the XML and EDIFACT formats. The following table describes which messages from customs/DAKOSY are converted into which type of message before being sent to the customer:

Message	Description	XML Message	EDIFACT Message
E_ENS_ACK, E_ENS_AAC, E_EXS_ACK	Customs Acknowledgement of Exit Summary Declaration, ENS or ENS Amendment	EntrySummaryDeclarationAck	IFTMCS "ACK"
E_ENS_REJ, E_ENS_ARJ, E_EXS_REJ	Customs Rejection of Exit Summary Declaration, ENS or ENS Amendment	CustomsAcknowledgement	APERAK
E_DIV_ACK, E_DIV_REJ	Acceptance or Rejection of a diversion request	CustomsAcknowledgement	APERAK
E_ARN_VAL, E_ARI_REJ	Acceptance or Rejection of an arrival notification / an arrival item	CustomsAcknowledgement	APERAK
E_EXS_STA	Exit Summary Declaration Status Information	ExitSummaryStatus	APERAK
E_EXS_CTL	Exit Summary Declaration Control Notification	ExitSummaryControlNotification	APERAK
--	Response Message from DAKOSY	Acknowledgement	APERAK

The purpose of these "multi use" messages can be determined based on the contents of certain data fields within the messages. An exact description of those data fields can be found in the format-specific sections of the respective guide.

2.2 Error Codes

A list of the error codes sent by DAKOSY will be made available on <http://www.dakosy.de>. The error codes sent by the different customs agencies in Europe are currently not published, therefore DAKOSY cannot provide a comprehensive list of these codes.

3 Implementation / Guideline information

3.1 Usage of the APERAK within the EXS Process

Within the EXS process, the APERAK message is used for two purposes:

- To return information about the successful processing of a customer's message at DAKOSY (or the failure thereof along with the reason)
- To return information about errors which occurred while a customer's Exit Summary Declaration was processed at customs.

3.2 Distinguishing the different purposes of an APERAK

The exact meaning of an APERAK message sent by DAKOSY within the EXS process can be determined by evaluating three data fields within the message:

3.2.1 Element BGM.1000 (Document Name)

This field will contain a code / name, indicating what content is transmitted using the APERAK message. It can take the following values:

Value	Meaning
PROVIDER	The APERAK is sent from an IT Provider (DAKOSY, for example) and informs the recipient about the successful or unsuccessful processing of his message
E_EXS_REJ	The APERAK contains information from customs, that an EXS declaration has been rejected.
E_EXS_STA	The APERAK contains the release or interdiction information from customs
E_EXS_CTL	The APERAK contains information about instructed customs inspections

3.2.2 Element BGM.4343 (Response Type Code)

This field will contain either "AP" (message accepted) or "RE" (message rejected). Depending on the type of response message, it can be set to a fixed value:

Value	Response Type Code
PROVIDER	Value will be "AP" or "RE"
E_EXS_REJ	Value will always be "RE"
E_EXS_STA	Value will be "AP" or "RE"
E_EXS_CTL	Value will always be "RE"

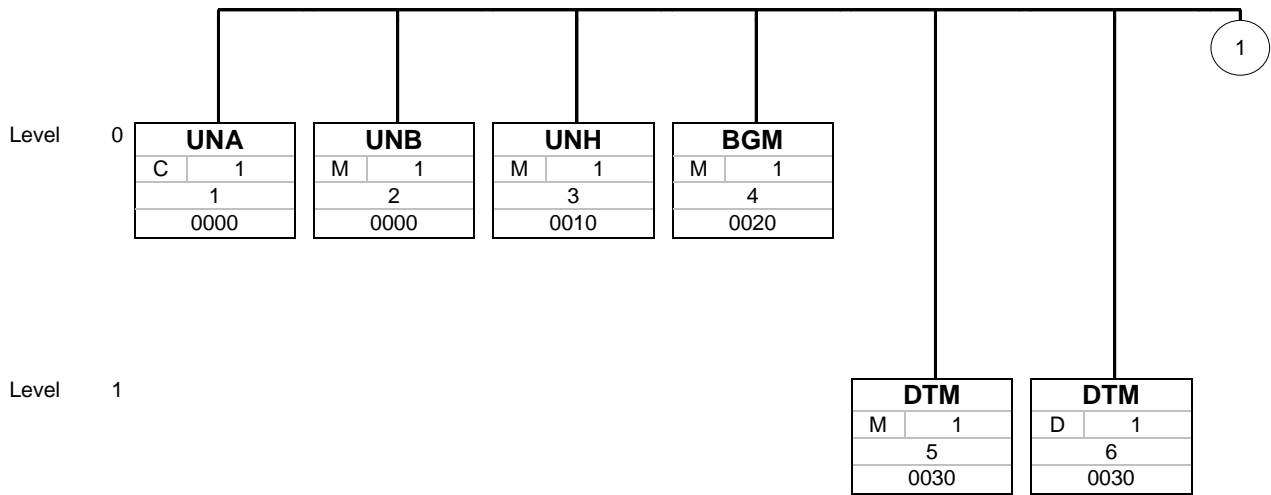
3.2.3 Element SG4.ERC.9321 (Error Code)

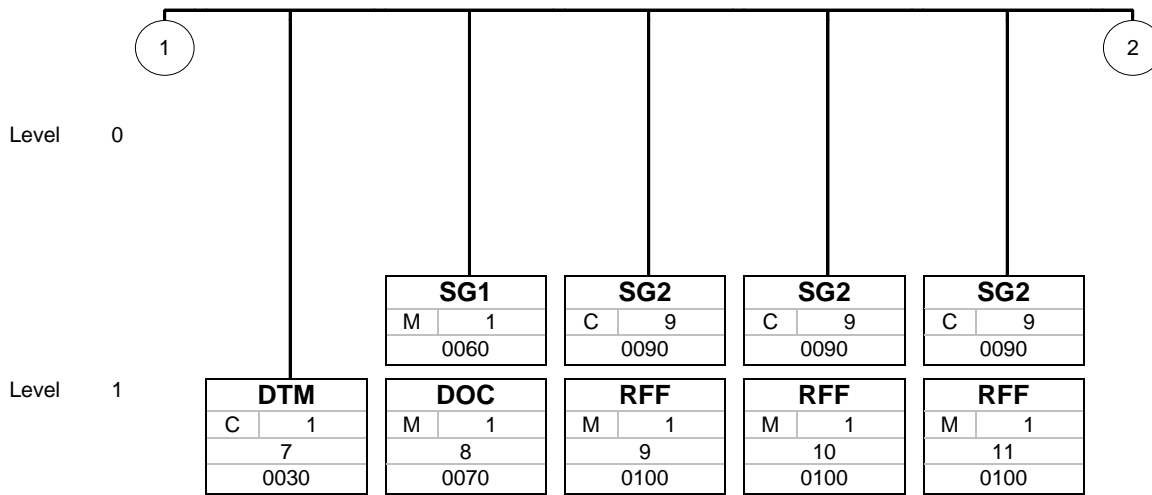
In case of errors at the IT Provider or at customs, this field will contain a coded value describing the type of an error (or '0000' if no error occurred). An error code list for DAKOSY will be provided later.

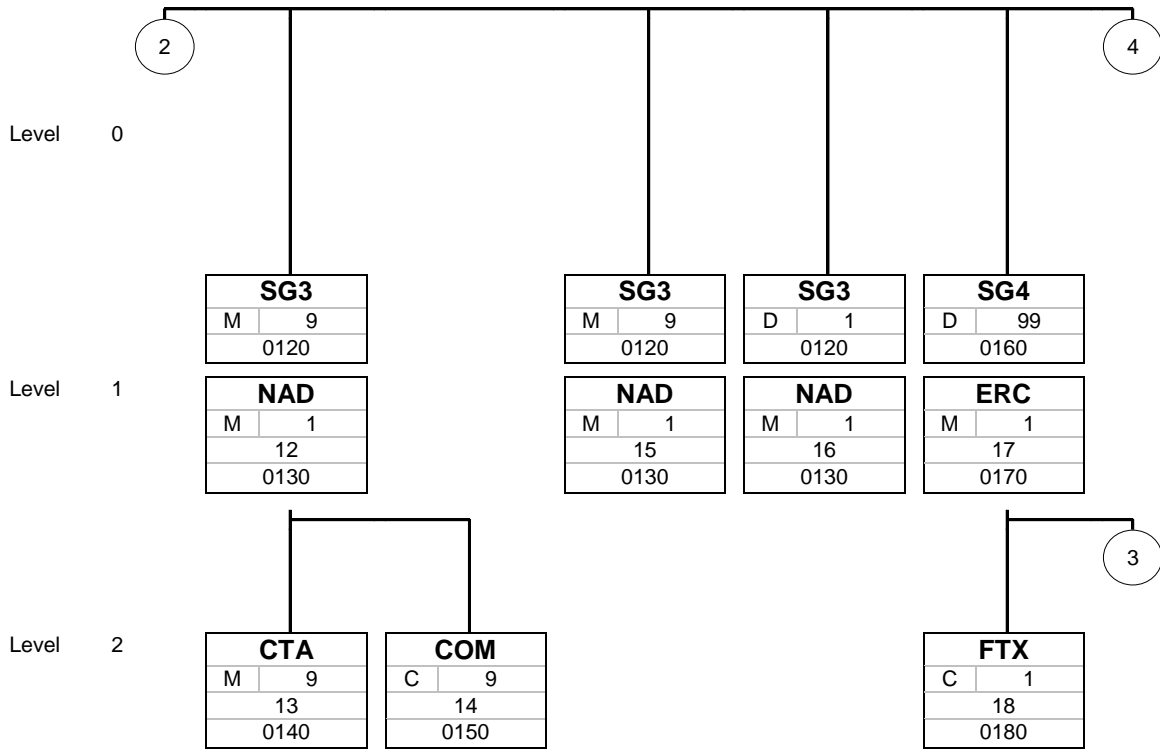
4 Message Structure

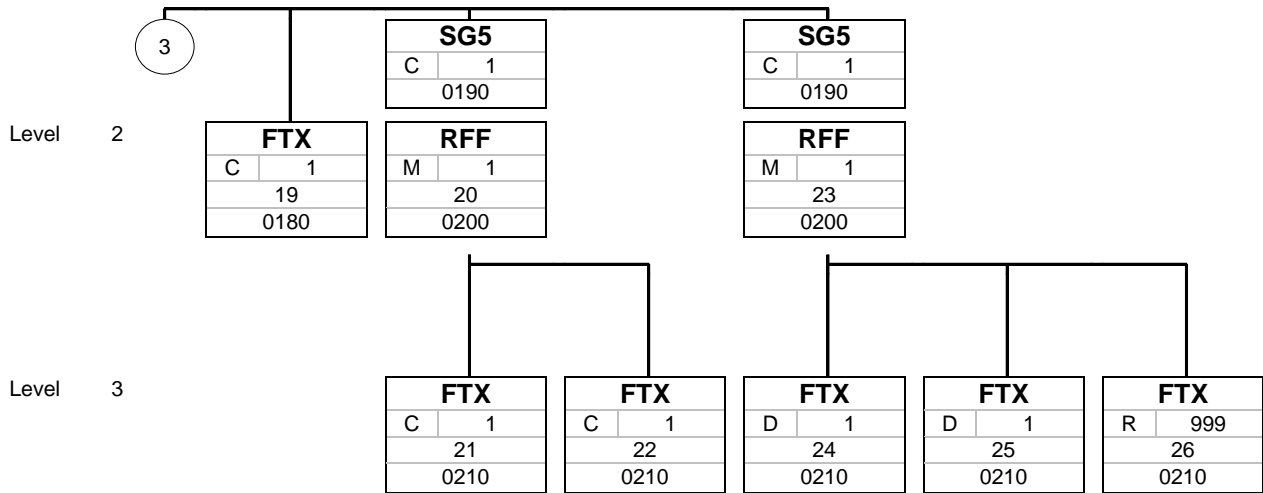
Counte	No	Tag	St	MaxOcc	Level	Content	
	0000	1	UNA	C	1	0	Service string advice
	0000	2	UNB	M	1	0	Interchange header
	0010	3	UNH	M	1	0	Message header
	0020	4	BGM	M	1	0	Message Type and information about Acceptance/Rejection
	0030	5	DTM	M	1	1	Message Date
	0030	6	DTM	D	1	1	Date of registration (of EXS declaration)
	0030	7	DTM	C	1	1	Date of acceptance or rejection
	0060		SG1	M	1	1	DOC
	0070	8	DOC	M	1	1	Message Type of original message
	0090		SG2	C	9	1	RFF
	0100	9	RFF	M	1	1	UNH reference of original Message
	0090		SG2	C	9	1	RFF
	0100	10	RFF	M	1	1	Local Reference Number
	0090		SG2	C	9	1	RFF
	0100	11	RFF	M	1	1	Exit Summary Declaration Status
	0120		SG3	M	9	1	NAD-CTA-COM
	0130	12	NAD	M	1	1	Message Sender
	0140	13	CTA	M	9	2	Contact information
	0150	14	COM	C	9	2	Communication contact
	0120		SG3	M	9	1	NAD
	0130	15	NAD	M	1	1	Message Recipient
	0120		SG3	D	1	1	NAD
	0130	16	NAD	M	1	1	Person lodging the declaration
	0160		SG4	D	99	1	ERC-FTX-FTX-SG5-SG5
	0170	17	ERC	M	1	1	Application error information
	0180	18	FTX	C	1	2	MRN
	0180	19	FTX	C	1	2	Error Description
	0190		SG5	C	1	2	Customs Error Information
	0200	20	RFF	M	1	2	Reference
	0210	21	FTX	C	1	3	Error pointer
	0210	22	FTX	C	1	3	Original Attribute Value
	0190		SG5	C	1	2	Exit Summary Control Information
	0200	23	RFF	M	1	2	Goods Item Number
	0210	24	FTX	D	1	3	Goods description
	0210	25	FTX	D	1	3	Commercial Reference Number
	0210	26	FTX	R	999	3	Customs action information
	0220	27	UNT	M	1	0	Message trailer
	0000	28	UNZ	M	1	0	Interchange trailer

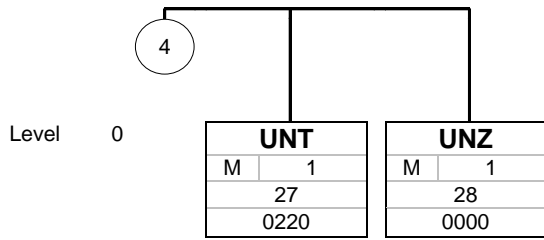
5 Branching Diagram











6 Segment Description

Counter	No	Tag	St	MaxOcc	Level	Name
0000	1	UNA	C	1	0	Service string advice

Standard			Implementation	
Tag	Name	St Format	St Format	Usage / Remark
UNA				
UNA1	Component data element separator	M an1	M an1	
UNA2	Data element separator	M an1	M an1	
UNA3	Decimal notation	M an1	M an1	
UNA4	Release indicator	M an1	M an1	
UNA5	Reserved for future use	M an1	M an1	
UNA6	Segment terminator	M an1	M an1	

Example:

Counter	No	Tag	St	MaxOcc	Level	Name
0000	2	UNB	M	1	0	Interchange header

			Standard	Implementation		
Tag	Name	St	Format	St	Format	Usage / Remark
UNB						
S001	Syntax identifier	M		M		
0001	Syntax identifier	M	a4	M	a4	
0002	Syntax version number	M	n1	M	n1	
S002	Interchange sender	M		M		
0004	Sender identification	M	an..35	M	an..35	
0007	Partner identification code qualifier	C	an..4	N		Not used
0008	Address for reverse routing	C	an..14	N		Not used
S003	Interchange recipient	M		M		
0010	Recipient identification	M	an..35	M	an..35	
0007	Partner identification code qualifier	C	an..4	N		Not used
0014	Routing address	C	an..14	N		Not used
S004	Date/time of preparation	M		M		
0017	Date of preparation	M	n6	M	n6	
0019	Time of preparation	M	n4	M	n4	
0020	Interchange control reference	M	an..14	M	an..14	Description: A unique reference number identifying this EDIFACT interchange.
S005	Recipient's reference, password	C		N		
0022	Recipient's reference/password	M	an..14	M	an..14	
0025	Recipient's reference/password qualifier	C	an2	N		Not used
0026	Application reference	C	an..14	N		Not used
0029	Processing priority code	C	a1	N		Not used
0031	Acknowledgement request	C	n1	N		Not used
0032	Communications agreement ID	C	an..35	N		Not used
0035	Test indicator	C	n1	C	n1	Description: Test indicator. If this field is submitted and has a value '1', the message will be treated as a test message.

Example:

UNB+UNOC:3+DAK+CARR+100128:1057+22+++++1'

Counter	No	Tag	St	MaxOcc	Level	Name
0010	3	UNH	M	1	0	Message header

Standard			Implementation	
Tag	Name	St Format	St Format	Usage / Remark
UNH				
0062	Message reference number	M an..14	M an..14	Description: Unique technical reference identifying this EDIFACT message
S009	Message identifier	M	M	
0065	Message type	M an..6	M an..6	
0052	Message version number	M an..3	M an..3	
0054	Message release number	M an..3	M an..3	
0051	Controlling agency	M an..2	M an..2	
0057	Association assigned code	C an..6	C an..6	Description: Interface specification version, currently EAP10
0068	Common access reference	C an..35	N	Not used
S010	Status of the transfer	C	N	
0070	Sequence of transfers	M n..2	N	Not used
0073	First and last transfer	C a1	N	Not used

Example:

UNH+1+APERAK:D:00B:UN:EAP10'

Counter	No	Tag	St	MaxOcc	Level	Name
0020	4	BGM	M	1	0	Message Type and information about Acceptance/Rejection

Standard			Implementation	
Tag	Name	St Format	St Format	Usage / Remark
BGM				
C002	Document/message name	C	M	
1001	Document name code	C an..3	M an..3	294 Application acknowledgement and error report
1131	Code list identification code	C an..17	N	Not used
3055	Code list responsible agency code	C an..3	N	Not used
1000	Document name	C an..35	C an..35	Description: Used to specify the exact type of response. This element contains either one of the TAXUD message names (specifying the content represented by the APERAK message) or the value 'PROVIDER', indicating that the APERAK is an Acknowledge or Error report from DAKOSY. PROVIDER IT Provider Message (a response from the provider, e.g. DAKOSY) E_EXS_REJ Exit Summary Declaration Rejection (IE616) E_EXS_STA Exit Summary Declaration Status Information E_EXS_CTL Exit Summary Declaration Control Notification
C106	Document/message identification	C	C	
1004	Document identifier	C an..35	C an..35	
1056	Version identifier	C an..9	N	Not used
1060	Revision identifier	C an..6	N	Not used
1225	Message function code	C an..3	C an..3	
4343	Response type code	C an..3	C an..3	AP Accepted RE Rejected

Example:

BGM+294::: PROVIDER+9Z538WE2RUP84+9+AP'

Counter	No	Tag	St	MaxOcc	Level	Name
0030	5	DTM	M	1	1	Message Date

Standard			Implementation	
Tag	Name	St Format	St Format	Usage / Remark
DTM				
C507	Date/time/period	M	M	
2005	Date or time or period function code qualifier	M an..3	M an..3	137 Document/message date/time
2380	Date or time or period value	C an..35	C an..35	<i>Description:</i> Date of message creation
2379	Date or time or period format code	C an..3	C an..3	203 CCYYMMDDHHMM

Example:

DTM+137:201001270942:203'

Counter	No	Tag	St	MaxOcc	Level	Name
0030	6	DTM	D	1	1	Date of registration (of EXS declaration)

Standard			Implementation	
Tag	Name	St Format	St Format	Usage / Remark
DTM				
C507	Date/time/period	M	M	
2005	Date or time or period function code qualifier	M an..3	M an..3	375 Date of first registration
2380	Date or time or period value	C an..35	M an..35	Field in EXS: Date/Time of Registration Description: This element will contain the date and time of registration of the EXS declaration at customs. For acknowledgement or error messages from DAKOSY this segment will not be used.
2379	Date or time or period format code	C an..3	M an..3	203 CCYYMMDDHHMM 102 CCYYMMDD

Example:

DTM+375:201002161142:203'

Counter	No	Tag	St	MaxOcc	Level	Name
0030	7	DTM	C	1	1	Date of acceptance or rejection

Standard			Implementation	
Tag	Name	St Format	St Format	Usage / Remark
DTM				
C507	Date/time/period	M	M	
2005	Date or time or period function code qualifier	M an..3	M an..3	334 Status change date/time
2380	Date or time or period value	C an..35	D an..35	Description: For the E_EXS_STA and E_EXS_CTL message types, this segment will contain the date of release, interdiction or inspection order.
2379	Date or time or period format code	C an..3	M an..3	102 CCYYMMDD 203 CCYYMMDDHHMM

Example:

DTM+334:20100216:102'

Counter	No	Tag	St	MaxOcc	Level	Name
0060		SG1	M	1	1	DOC
0070	8	DOC	M	1	1	Message Type of original message

Standard			Implementation	
Tag	Name	St Format	St Format	Usage / Remark
DOC				
C002	Document/message name	M	M	
1001	Document name code	C an..3	M an..3	Description: This will contain the code which has been sent in BGM.1001 of the original message 830 Goods declaration for exportation
1131	Code list identification code	C an..17	N	Not used
3055	Code list responsible agency code	C an..3	N	Not used
1000	Document name	C an..35	N	Not used
C503 Document/message details				
1004	Document identifier	C an..35	M an..22	Description: Original document reference - this is the reference that has been sent in the BGM segment of the message to which this APERAK relates.
1373	Document status code	C an..3	N	Not used
1366	Document source description	C an..70	N	Not used
3453	Language name code	C an..3	N	Not used
1056	Version identifier	C an..9	N	Not used
1060	Revision identifier	C an..6	N	Not used
3153	Communication medium type code	C an..3	N	Not used
1220	Document copies required quantity	C n..2	N	Not used
1218	Document originals required quantity	C n..2	N	Not used

Example:

DOC+355+ENS3226504'

Counter	No	Tag	St	MaxOcc	Level	Name
0090		SG2	C	9	1	RFF
0100	9	RFF	M	1	1	UNH reference of original Message

Standard			Implementation	
Tag	Name	St Format	St Format	Usage / Remark
RFF				
C506	Reference	M	M	
1153	Reference code qualifier	M an..3	M an..3	ACW Reference number to previous message
1154	Reference identifier	C an..70	R an..14	Description: Original message reference number - this is the reference that has been sent in the UNH segment of the message to which this APERAK relates
1156	Document line identifier	C an..6	N	Not used
4000	Reference version identifier	C an..35	N	Not used
1060	Revision identifier	C an..6	N	Not used

Example:

RFF+ACW:1240540544'

Counter	No	Tag	St	MaxOcc	Level	Name
0090		SG2	C	9	1	RFF
0100	10	RFF	M	1	1	Local Reference Number

Standard			Implementation	
Tag	Name	St Format	St Format	Usage / Remark
RFF				
C506	Reference	M	M	
1153	Reference code qualifier	M an..3	M an..3	ABO Originator's reference
1154	Reference identifier	C an..70	R an..22	Description: Contains the LRN of the process to which this APERAK belongs
1156	Document line identifier	C an..6	N	Not used
4000	Reference version identifier	C an..35	N	Not used
1060	Revision identifier	C an..6	N	Not used

Example:

RFF+ABO:124054059634550'

Counter	No	Tag	St	MaxOcc	Level	Name
0090		SG2	C	9	1	RFF
0100	11	RFF	M	1	1	Exit Summary Declaration Status

Standard			Implementation	
Tag	Name	St Format	St Format	Usage / Remark
RFF				
C506	Reference	M	M	
1153	Reference code qualifier	M an..3	M an..3	RE Release number
1154	Reference identifier	C an..70	R an..2	02 Release 03 Interdiction
1156	Document line identifier	C an..6	N	Not used
4000	Reference version identifier	C an..35	N	Not used
1060	Revision identifier	C an..6	N	Not used

Example:

RFF+RE:02'

Counter	No	Tag	St	MaxOcc	Level	Name
0120		SG3	M	9	1	NAD-CTA-COM
0130	12	NAD	M	1	1	Message Sender

Standard			Implementation	
Tag	Name	St Format	St Format	Usage / Remark
NAD				
3035	Party function code qualifier	M an..3	M an..3	MS Document/message issuer/sender
C082	Party identification details	C	M	
3039	Party identifier	M an..35	M an..35	Description: Message sender's code. Included for compatibility with Portbase.
1131	Code list identification code	C an..17	N	Not used
3055	Code list responsible agency code	C an..3	N	Not used
C058	Name and address	C	N	
3124	Name and address description	M an..35	N	Not used
3124	Name and address description	C an..35	N	Not used
3124	Name and address description	C an..35	N	Not used
3124	Name and address description	C an..35	N	Not used
3124	Name and address description	C an..35	N	Not used
C080	Party name	C	N	
3036	Party name	M an..35	N	Not used
3036	Party name	C an..35	N	Not used
3036	Party name	C an..35	N	Not used
3036	Party name	C an..35	N	Not used
3036	Party name	C an..35	N	Not used
3045	Party name format code	C an..3	N	Not used
C059	Street	C	N	
3042	Street and number or post office box identifier	M an..35	N	Not used
3042	Street and number or post office box identifier	C an..35	N	Not used
3042	Street and number or post office box identifier	C an..35	N	Not used
3042	Street and number or post office box identifier	C an..35	N	Not used
3164	City name	C an..35	N	Not used
C819	Country sub-entity details	C	N	
3229	Country sub-entity name code	C an..9	N	Not used
1131	Code list identification code	C an..17	N	Not used
3055	Code list responsible agency code	C an..3	N	Not used
3228	Country sub-entity name	C an..35	N	Not used
3251	Postal identification code	C an..17	N	Not used
3207	Country name code	C an..3	N	Not used

Example:

NAD+MS+DAKOSY'

Counter	No	Tag	St	MaxOcc	Level	Name
0120		SG3	M	9	1	NAD-CTA-COM
0140	13	CTA	M	9	2	Contact information

Standard			Implementation	
Tag	Name	St Format	St Format	Usage / Remark
CTA				
3139	Contact function code	C an..3	M an..3	IC Information contact
C056	Department or employee details	C	M	
3413	Department or employee name code	C an..17	N	Not used
3412	Department or employee name	C an..35	M an..35	Description: Name of a contact at the APERAK's sender

Example:

CTA+IC+:DAKOSY SUPPORT'

Counter	No	Tag	St	MaxOcc	Level	Name
0120		SG3	M	9	1	NAD-CTA-COM
0150	14	COM	C	9	2	Communication contact

Standard			Implementation	
Tag	Name	St Format	St Format	Usage / Remark
COM				
C076	Communication contact	M	M	
3148	Communication address identifier	M an..512	M an..512	Description: Phone number of the contact mentioned in the previous CTA segment TE Telephone
3155	Communication address code qualifier	M an..3	M an..3	

Example:

COM+04037086990:TE'

Counter	No	Tag	St	MaxOcc	Level	Name
0120		SG3	M	9	1	NAD
0130	15	NAD	M	1	1	Message Recipient

Standard			Implementation	
Tag	Name	St Format	St Format	Usage / Remark
NAD				
3035	Party function code qualifier	M an..3	M an..3	MR Message recipient
C082	Party identification details	C	M	
3039	Party identifier	M an..35	M an..35	Description: Code of message receiver (sender of original message) - included for compatibility with Port Base specs
1131	Code list identification code	C an..17	N	Not used
3055	Code list responsible agency code	C an..3	N	Not used
C058	Name and address	C	N	
3124	Name and address description	M an..35	N	Not used
3124	Name and address description	C an..35	N	Not used
3124	Name and address description	C an..35	N	Not used
3124	Name and address description	C an..35	N	Not used
3124	Name and address description	C an..35	N	Not used
C080	Party name	C	N	
3036	Party name	M an..35	N	Not used
3036	Party name	C an..35	N	Not used
3036	Party name	C an..35	N	Not used
3036	Party name	C an..35	N	Not used
3036	Party name	C an..35	N	Not used
3045	Party name format code	C an..3	N	Not used
C059	Street	C	N	
3042	Street and number or post office box identifier	M an..35	N	Not used
3042	Street and number or post office box identifier	C an..35	N	Not used
3042	Street and number or post office box identifier	C an..35	N	Not used
3042	Street and number or post office box identifier	C an..35	N	Not used
3164	City name	C an..35	N	Not used
C819	Country sub-entity details	C	N	
3229	Country sub-entity name code	C an..9	N	Not used
1131	Code list identification code	C an..17	N	Not used
3055	Code list responsible agency code	C an..3	N	Not used
3228	Country sub-entity name	C an..35	N	Not used
3251	Postal identification code	C an..17	N	Not used
3207	Country name code	C an..3	N	Not used

Example:
NAD+MR+DKL'

Counter	No	Tag	St	MaxOcc	Level	Name
0120		SG3	D	1	1	NAD
0130	16	NAD	M	1	1	Person lodging the declaration

Standard			Implementation	
Tag	Name	St Format	St Format	Usage / Remark
NAD				
3035	Party function code qualifier	M an..3	M an..3	VW Responsible party
C082	Party identification details	C	M	
3039	Party identifier	M an..35	M an..35	<i>Description:</i> EORI TIN of the person lodging the declaration
1131	Code list identification code	C an..17	N	Not used
3055	Code list responsible agency code	C an..3	N	Not used
C058	Name and address	C	C	
3124	Name and address description	M an..35	M n4	<i>Description:</i> Branch number
3124	Name and address description	C an..35	N	Not used
3124	Name and address description	C an..35	N	Not used
3124	Name and address description	C an..35	N	Not used
3124	Name and address description	C an..35	N	Not used
C080	Party name	C	C	
3036	Party name	M an..35	M an..35	
3036	Party name	C an..35	N	Not used
3036	Party name	C an..35	N	Not used
3036	Party name	C an..35	N	Not used
3036	Party name	C an..35	N	Not used
3045	Party name format code	C an..3	N	Not used
C059	Street	C	C	
3042	Street and number or post office box identifier	M an..35	M an..35	
3042	Street and number or post office box identifier	C an..35	N	Not used
3042	Street and number or post office box identifier	C an..35	N	Not used
3042	Street and number or post office box identifier	C an..35	N	Not used
3164	City name	C an..35	C an..35	
C819	Country sub-entity details	C	N	
3229	Country sub-entity name code	C an..9	N	Not used
1131	Code list identification code	C an..17	N	Not used
3055	Code list responsible agency code	C an..3	N	Not used
3228	Country sub-entity name	C an..35	N	Not used
3251	Postal identification code	C an..17	C an..17	
3207	Country name code	C an..3	C an..3	

Example:

NAD+VW+DE1234567+0000'

Counter	No	Tag	St	MaxOcc	Level	Name
0160		SG4	D	99	1	ERC-FTX-SG5

Will be sent if ((BGM.1000 = 'PROVIDER' or 'E_EXS_REJ') and BGM.4343 = 'RE') or BGM.1000 = 'E_EXS_STA' or BGM.1000 = 'E_EXS_CTL'

0170	17	ERC	M	1	1	Application error information
------	----	------------	---	---	---	-------------------------------

			Standard	Implementation	
Tag	Name		St Format	St Format	Usage / Remark
ERC					
C901	Application error detail		M	M	
9321	Application error code		M an..8	M an..8	Description: Error Code Field in EXS: Error Type
1131	Code list identification code		C an..17	N	Not used
3055	Code list responsible agency code		C an..3	N	Not used

Example:

ERC+0000'

Counter	No	Tag	St	MaxOcc	Level	Name
---------	----	-----	----	--------	-------	------

0160 **SG4** D 99 1 **ERC-FTX-SG5**

Will be sent if ((BGM.1000 = 'PROVIDER' or 'E_EXS_REJ') and BGM.4343 = 'RE') or BGM.1000 = 'E_EXS_STA' or BGM.1000 = 'E_EXS_CTL'

0180 18 **FTX** C 1 2 **MRN**

Will contain MRN of EXS affected (BGM.1000 = 'E_EXS_STA')

Standard			Implementation	
Tag	Name	St Format	St Format	Usage / Remark
FTX				
4451	Text subject code qualifier	M an..3	M an..3	MRN Movement Reference Number
4453	Free text function code	C an..3	N	Not used
C107	Text reference	C	N	
4441	Free text value code	M an..17	N	Not used
1131	Code list identification code	C an..17	N	Not used
3055	Code list responsible agency code	C an..3	N	Not used
C108	Text literal	C	C	
4440	Free text value	M an..512	M an..512	Description: Affected MRN
4440	Free text value	C an..512	N	Not used
4440	Free text value	C an..512	N	Not used
4440	Free text value	C an..512	N	Not used
4440	Free text value	C an..512	N	Not used
3453	Language name code	C an..3	N	Not used
4447	Free text format code	C an..3	N	Not used

Example:

FTX+MRN+++10DE123456789012E3'

Counter	No	Tag	St	MaxOcc	Level	Name
---------	----	-----	----	--------	-------	------

0160 **SG4** D 99 1 **ERC-FTX-SG5**

Will be sent if ((BGM.1000 = 'PROVIDER' or 'E_EXS_REJ') and BGM.4343 = 'RE') or BGM.1000 = 'E_EXS_STA' or BGM.1000 = 'E_EXS_CTL'

0180 19 **FTX** C 1 2 **Error Description**

This segment contains the error description

Standard			Implementation	
Tag	Name	St Format	St Format	Usage / Remark
FTX				
4451	Text subject code qualifier	M an..3	M an..3	AAO Error description (free text)
4453	Free text function code	C an..3	N	Not used
C107	Text reference	C	N	
4441	Free text value code	M an..17	M an..17	
1131	Code list identification code	C an..17	N	Not used
3055	Code list responsible agency code	C an..3	N	Not used
C108	Text literal	C	M	
4440	Free text value	M an..512	M an..512	Description: Error Description Field in EXS: Error Text
4440	Free text value	C an..512	N	Not used
4440	Free text value	C an..512	N	Not used
4440	Free text value	C an..512	N	Not used
4440	Free text value	C an..512	N	Not used
3453	Language name code	C an..3	N	Not used
4447	Free text format code	C an..3	N	Not used

Example:

FTX+AAO+++Error Description'

Counter	No	Tag	St	MaxOcc	Level	Name
---------	----	-----	----	--------	-------	------

0190		SG5	C	1	2	Customs Error Information
------	--	------------	---	---	---	---------------------------

Will only be submitted if BGM.1000 = 'E_EXS_REJ'

0200	20	RFF	M	1	2	Reference
------	----	------------	---	---	---	-----------

Segment RFF is used only to maintain the EDIFACT structure of the message, it has no special meaning.

Standard			Implementation	
Tag	Name	St Format	St Format	Usage / Remark
RFF				
C506	Reference	M	M	
1153	Reference code qualifier	M an..3	M an..3	ZZZ Mutually defined reference number
1154	Reference identifier	C an..70	N	Not used
1156	Document line identifier	C an..6	N	Not used
4000	Reference version identifier	C an..35	N	Not used
1060	Revision identifier	C an..6	N	Not used

Example:

RFF+ZZZ'

Counter	No	Tag	St	MaxOcc	Level	Name
---------	----	-----	----	--------	-------	------

0190		SG5	C	1	2	Customs Error Information
------	--	------------	---	---	---	---------------------------

Will only be submitted if BGM.1000 = 'E_EXS_REJ'

0210	21	FTX	C	1	3	Error pointer
------	----	------------	---	---	---	---------------

This segment contains information about the exact element which was found to be wrong in the original message.

Standard			Implementation	
Tag	Name	St Format	St Format	Usage / Remark
FTX				
4451	Text subject code qualifier	M an..3	M an..3	ACE Dispute
4453	Free text function code	C an..3	N	Not used
C107	Text reference	C	N	
4441	Free text value code	M an..17	N	Not used
1131	Code list identification code	C an..17	N	Not used
3055	Code list responsible agency code	C an..3	N	Not used
C108	Text literal	C	C	
4440	Free text value	M an..512	M an..512	Field in EXS: Error Pointer
4440	Free text value	C an..512	N	Not used
4440	Free text value	C an..512	N	Not used
4440	Free text value	C an..512	N	Not used
4440	Free text value	C an..512	N	Not used
3453	Language name code	C an..3	N	Not used
4447	Free text format code	C an..3	N	Not used

Example:

FTX+ACE+++WARE(800).EIGENMASSE'

Counter	No	Tag	St	MaxOcc	Level	Name
---------	----	-----	----	--------	-------	------

0190		SG5	C	1	2	Customs Error Information
------	--	------------	---	---	---	---------------------------

Will only be submitted if BGM.1000 = 'E_EXS_REJ'

0210	22	FTX	C	1	3	Original Attribute Value
------	----	------------	---	---	---	--------------------------

Standard			Implementation	
Tag	Name	St Format	St Format	Usage / Remark
FTX				
4451	Text subject code qualifier	M an..3	M an..3	ACF Additional attribute information
4453	Free text function code	C an..3	N	Not used
C107	Text reference	C	N	
4441	Free text value code	M an..17	N	Not used
1131	Code list identification code	C an..17	N	Not used
3055	Code list responsible agency code	C an..3	N	Not used
C108	Text literal	C	C	
4440	Free text value	M an..512	M an..140	Field in EXS: Original Attribute Value
4440	Free text value	C an..512	N	Not used
4440	Free text value	C an..512	N	Not used
4440	Free text value	C an..512	N	Not used
4440	Free text value	C an..512	N	Not used
3453	Language name code	C an..3	N	Not used
4447	Free text format code	C an..3	N	Not used

Example:

FTX+ACF+++33400'

Counter	No	Tag	St	MaxOcc	Level	Name
---------	----	-----	----	--------	-------	------

0190		SG5	C	1	2	Exit Summary Control Information
------	--	------------	---	---	---	----------------------------------

Will only be submitted if BGM.1000 = 'E_EXS_CTL'

0200	23	RFF	M	1	2	Goods Item Number
------	----	------------	---	---	---	-------------------

Standard			Implementation	
Tag	Name	St Format	St Format	Usage / Remark
RFF				
C506	Reference	M	M	
1153	Reference code qualifier	M an..3	M an..3	AFD Customs item number
1154	Reference identifier	C an..70	C an..70	Description: Affected item number of EXS
1156	Document line identifier	C an..6	N	Not used
4000	Reference version identifier	C an..35	N	Not used
1060	Revision identifier	C an..6	N	Not used

Example:

RFF+AFD:1'

Counter	No	Tag	St	MaxOcc	Level	Name
---------	----	-----	----	--------	-------	------

0190		SG5	C	1	2	Exit Summary Control Information
------	--	------------	---	---	---	----------------------------------

Will only be submitted if BGM.1000 = 'E_EXS_CTL'

0210	24	FTX	D	1	3	Goods description
------	----	------------	---	---	---	-------------------

Standard			Implementation	
Tag	Name	St Format	St Format	Usage / Remark
FTX				
4451	Text subject code qualifier	M an..3	M an..3	AAA Goods description
4453	Free text function code	C an..3	N	Not used
C107	Text reference	C	N	
4441	Free text value code	M an..17	N	Not used
1131	Code list identification code	C an..17	N	Not used
3055	Code list responsible agency code	C an..3	N	Not used
C108	Text literal	C	C	
4440	Free text value	M an..512	M an..512	Description: Goods description from original EXS declaration
4440	Free text value	C an..512	N	Not used
4440	Free text value	C an..512	N	Not used
4440	Free text value	C an..512	N	Not used
4440	Free text value	C an..512	N	Not used
3453	Language name code	C an..3	N	Not used
4447	Free text format code	C an..3	N	Not used

Example:

FTX+AAA+++GOODS DESCRIPTION'

Counter	No	Tag	St	MaxOcc	Level	Name
---------	----	-----	----	--------	-------	------

0190 **SG5** C 1 2 **Exit Summary Control Information**

Will only be submitted if BGM.1000 = 'E_EXS_CTL'

0210 25 **FTX** D 1 3 **Commercial Reference Number**

Standard			Implementation	
Tag	Name	St Format	St Format	Usage / Remark
FTX				
4451	Text subject code qualifier	M an..3	M an..3	BM Commercial Reference Number (B/L number)
4453	Free text function code	C an..3	N	Not used
C107	Text reference	C	N	
4441	Free text value code	M an..17	N	Not used
1131	Code list identification code	C an..17	N	Not used
3055	Code list responsible agency code	C an..3	N	Not used
C108	Text literal	C	C	
4440	Free text value	M an..512	M an..70	Description: Commercial reference number
4440	Free text value	C an..512	N	Not used
4440	Free text value	C an..512	N	Not used
4440	Free text value	C an..512	N	Not used
4440	Free text value	C an..512	N	Not used
3453	Language name code	C an..3	N	Not used
4447	Free text format code	C an..3	N	Not used

Example:

FTX+BM+++HJSC1234740'

Counter	No	Tag	St	MaxOcc	Level	Name
---------	----	-----	----	--------	-------	------

0190		SG5	C	1	2	Exit Summary Control Information
------	--	------------	---	---	---	----------------------------------

Will only be submitted if BGM.1000 = 'E_EXS_CTL'

0210	26	FTX	R	999	3	Customs action information
------	----	------------	---	-----	---	----------------------------

Standard			Implementation	
Tag	Name	St Format	St Format	Usage / Remark
FTX				
4451	Text subject code qualifier	M an..3	M an..3	AAH Customs information
4453	Free text function code	C an..3	N	Not used
C107	Text reference	C	C	
4441	Free text value code	M an..17	M an..17	D001 Document Inspection P001 Inspection of physical goods R001 Inspection regarding nuclear/radioactive materials S001 Seals Inspection X001 X-Ray (incl. other external inspections)
1131	Code list identification code	C an..17	N	Not used
3055	Code list responsible agency code	C an..3	N	Not used
C108	Text literal	C	C	
4440	Free text value	M an..512	M an..512	Description: Customs action (additional text)
4440	Free text value	C an..512	N	Not used
4440	Free text value	C an..512	N	Not used
4440	Free text value	C an..512	N	Not used
4440	Free text value	C an..512	N	Not used
3453	Language name code	C an..3	N	Not used
4447	Free text format code	C an..3	N	Not used

Example:

FTX+AAH++P001+Dokumentenbeschau'

Counter	No	Tag	St	MaxOcc	Level	Name
0220	27	UNT	M	1	0	Message trailer

Standard			Implementation	
Tag	Name	St Format	St Format	Usage / Remark
UNT				
0074	Number of segments in the message	M n..6	M n..6	
0062	Message reference number	M an..14	M an..14	

Example:
 UNT+18+1'

Counter	No	Tag	St	MaxOcc	Level	Name
0000	28	UNZ	M	1	0	Interchange trailer

Standard			Implementation	
Tag	Name	St Format	St Format	Usage / Remark
UNZ				
0036	Interchange control count	M n..6	M n..6	
0020	Interchange control reference	M an..14	M an..14	

Example:

UNZ+1+22'

7 Further information on ICS / ECS

On the EU's web site, a number of documents describe the specifics of ICS and ECS. Along with some FAQ documents, one can also find examples how to handle certain scenarios such as slot-chartering agreements or short shipped containers:

http://ec.europa.eu/ecip/security_amendment/procedures/index_en.htm

Another web site contains the original text of the Annex 30a, a document describing the changes to the EU customs codex which form the basis for the ICS and ECS regulations:

<http://eur-lex.europa.eu/LexUriServ/LexUriServ.do?uri=OJ:L:2006:360:0064:0125:EN:PDF>