

# ENS Declaration / Amendment Acceptance (EDIFACT IFTMCS ACK)

Message Implementation Guide  
Version 1.7.0

(Valid from autumn 2012)

**DAKOSY**  
Datenkommunikationssystem AG

Mattentwiete 2  
20457 Hamburg  
[www.dakosy.de](http://www.dakosy.de)

Phone: + 49 40 37003 0  
Fax: + 49 40 37003 370  
[info@dakosy.de](mailto:info@dakosy.de)

## Change history

Version	Chapter/ Section	Reason	Name	Date
1.0.0	All	Initial Document	Blanken	20.07.2010
1.0.1	All	Minor corrections of descriptions	Blanken	10.09.2010
1.2		Corrected length of local reference number (22 instead of 35)	Blanken	15.10.2010
1.3		(not released)		
1.4		Correction: SG8.TDT.C222 and SG18.GID will not be sent in all cases, because customs will provide this information only under certain circumstances.	Blanken	25.11.2010
1.5		(not released)		
1.6.0		Amended segment RFF, former RFF+ACW is now RFF+ABO.	Blanken	31.03.2011
1.7.0		Addition of Branch No.	Dietrich	15.09.2012

## Change requests

### DAKOSY

#### Datenkommunikationssystem AG

Mattentwiete 2

20457 Hamburg

1. Phone: + 49 40 37003 - 0
2. Fax: + 49 40 37003 - 370
3. Email: info@dakosy.de

## Used tools

Number	Used tools
W1	This document has been created using <i>Microsoft Word 2010</i> .

## Liability

1. Please note that no liability claims can be derived towards DAKOSY AG for the content of this manual, despite careful development and examination of this document!

## Table of contents

<b>1</b>	<b>Introduction.....</b>	<b>4</b>
<b>2</b>	<b>Usage scenarios .....</b>	<b>4</b>
2.1	Usage scenario "ENS Acknowledgement" .....	4
2.2	Usage scenario "ENS Amendment" .....	6
<b>3</b>	<b>Differences between IFTMCS for E_ENS_ACK and E_ENS_AAC.....</b>	<b>7</b>
<b>4</b>	<b>Message Structure .....</b>	<b>8</b>
<b>5</b>	<b>Branching Diagram .....</b>	<b>8</b>
<b>6</b>	<b>Segment Description .....</b>	<b>14</b>

# 1 Introduction

This document describes the subset of the IFTMCS Message in it's "Acknowledgement" version as defined for the ICS system of DAKOSY.

## Why is an IFTMCS used as a reply message?

For most technical as well as some functional responses, the EDIFACT interface to DAKOSY's ICS system employs the APERAK message.

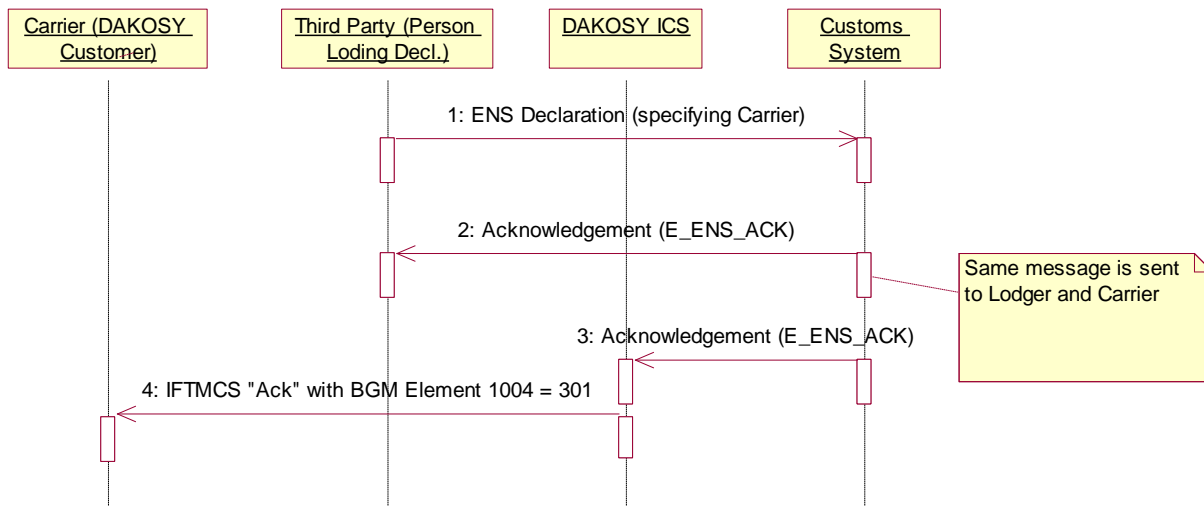
However, the messages sent by customs after the customs system received and processed a ENS declaration or amendmend fulfil another purpose in addition to being an acknowledgement for an inbound message: If the person lodging or amending the summary declaration names a third party (e.g. the carrier) within the declaration, customs will send a copy of the acknowledgement to this party. This enables scenarios where the importer itself can file the ENS declaration, naming the carrier who then (after receiving the acknowledgement data for the declaration) might send the arrival notice to customs.

For this purpose, customs acknowledgement messages for ENS declaration and Amendment (E\_ENS\_ACK and E\_ENS\_AAC) contain not just the MRN number, but also some basic data about the declaration itself.

The APERAK message is not sufficient to carry this amount and type of data, therefore the IFTMCS is used.

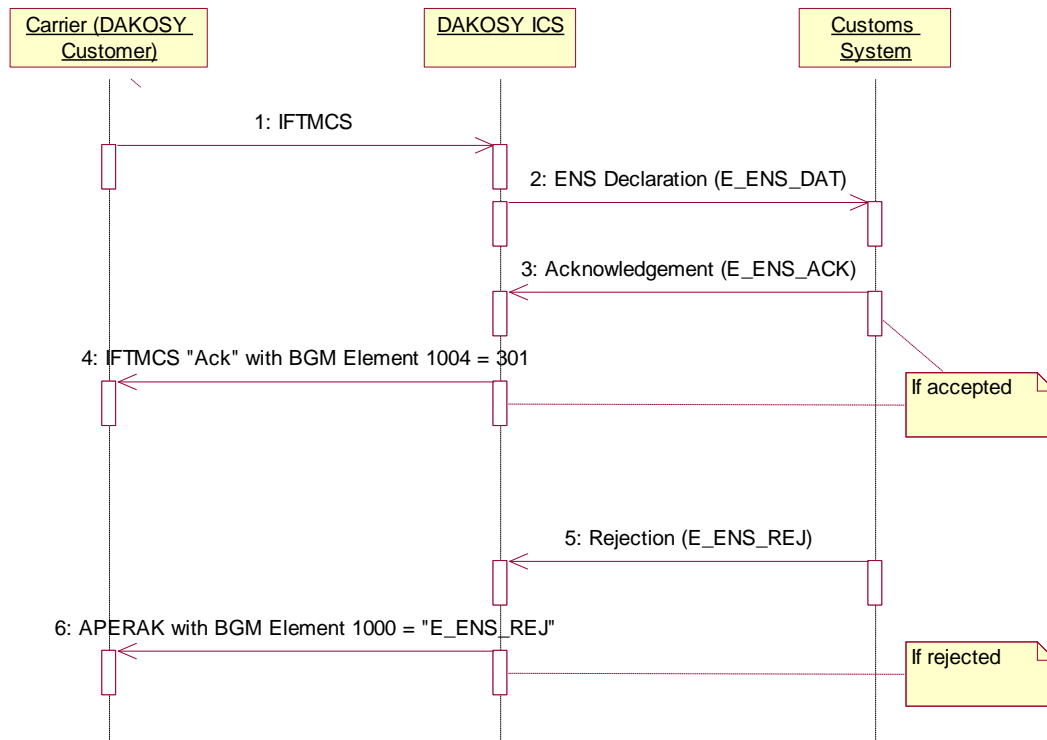
# 2 Usage scenarios

## 2.1 Usage scenario "ENS Acknowledgement"



As shown in the image above, a third party lodging a summary declaration via DAKOSY or utilizing another system can indicate the actual carrier in its declaration. The carrier would then receive a copy of customs' acknowledgement message, containing the MRN along with some basic data of the declaration. If the carrier is a DAKOSY customer, the data will be forwarded using the IFTMCS "Ack" described in this document.

The image below depicts a more simple scenario, where the carrier files the ENS declaration itself. This would also result in an IFTMCS “Ack” being sent back. However, an error would result in an APERAK being sent to the carrier.



## 2.2 Usage scenario “ENS Amendment”

The scenario for an ENS Amendment is basically the same, with the following differences:

- The message sent to customs will be of type E\_ENS\_AMD
- The message sent back from customs will be of type E\_ENS\_AAC (Acceptance) or E\_ENS\_ARJ (Rejection)
- The IFTMCS sent by DAKOSY will have code 312 in BGM Element 1004
- In case of errors the APERAK sent by DAKOSY would have code “E\_ENS\_ARJ” in BGM element 1000

### 3 Differences between IFTMCS for E\_ENS\_ACK and E\_ENS\_AAC

The following differences exist between the IFTMCS being sent for an E\_ENS\_ACK and an IFTMCS being sent for an E\_ENS\_AAC:

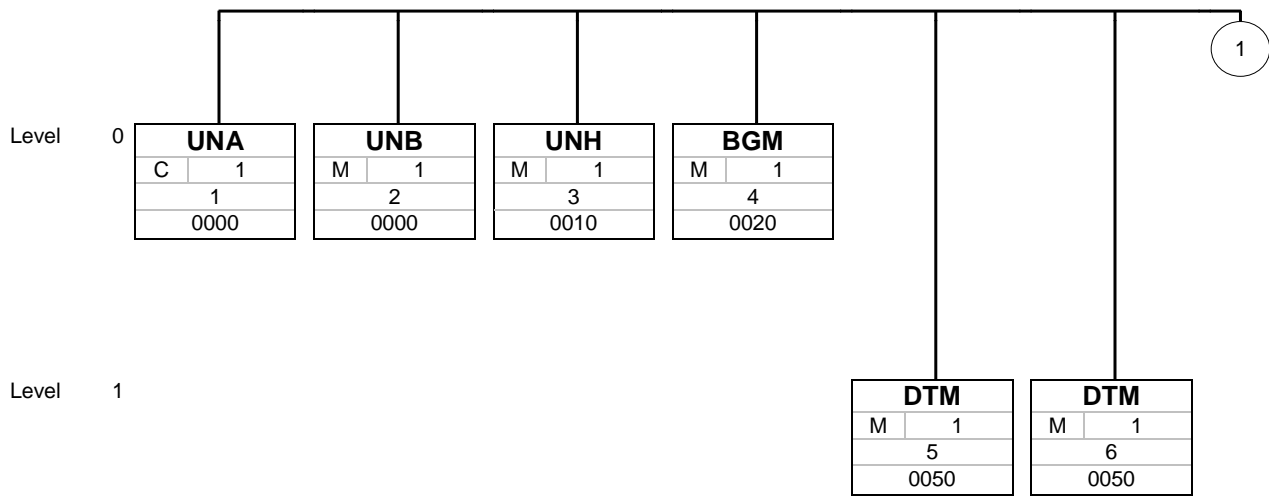
<b>E_ENS_ACK</b>	<b>E_ENS_AAC</b>
BGM Element 1004 = 301	BGM Element 1004 = 312
---	Contains additional DTM+375 segment, specifying the time of the amendment
---	Contains additional NAD+AG segment, specifying information about the representative

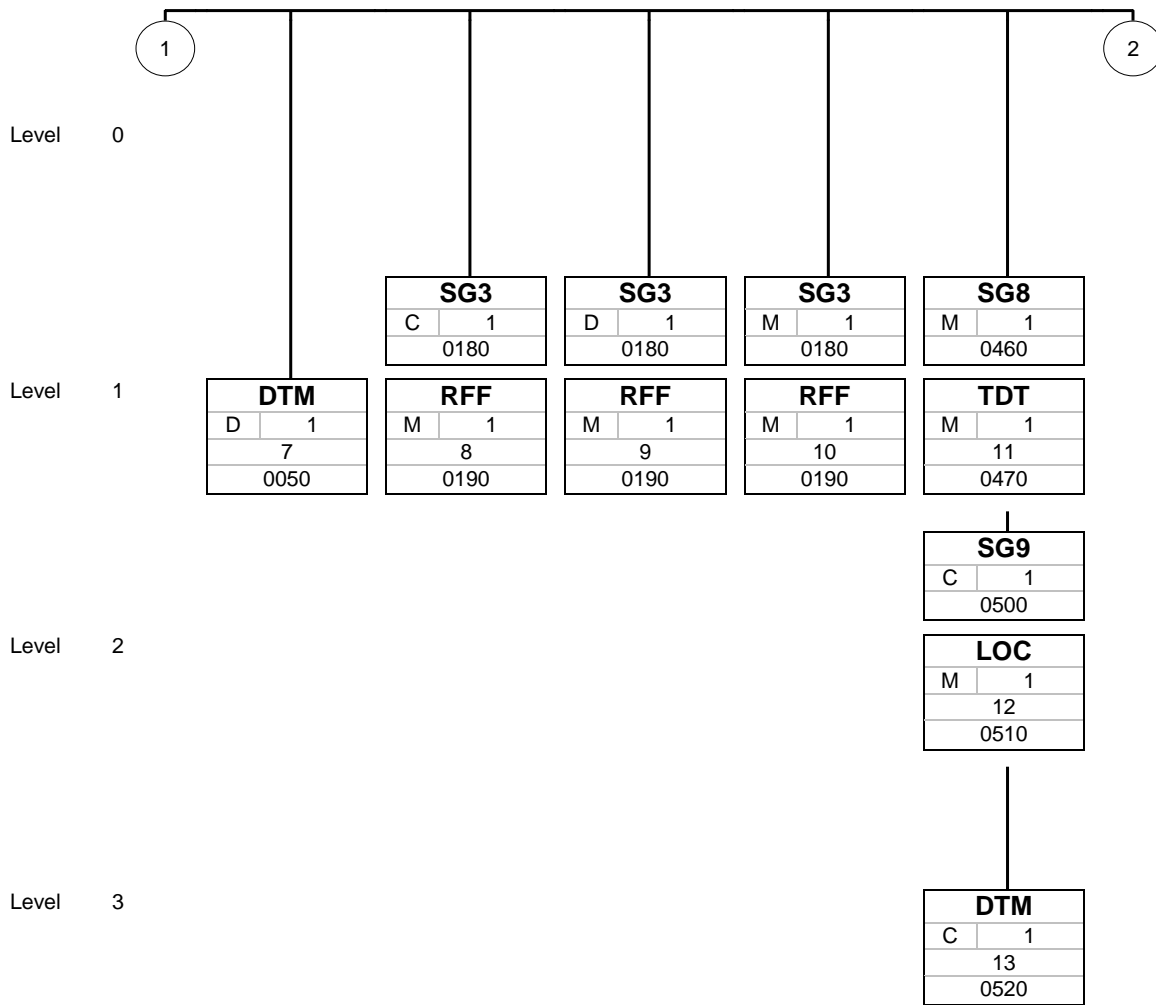
## 4 Message Structure

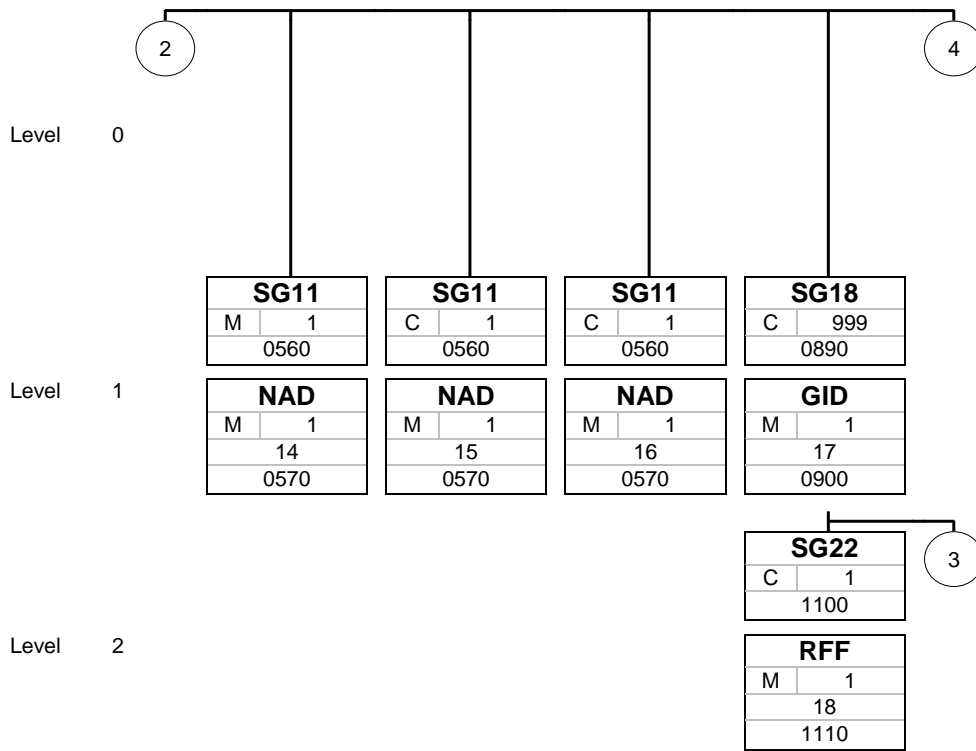
Counte	No	Tag	St	MaxOcc	Level	Content	
	0000	1	UNA	C	1	0	Service string advice
	0000	2	UNB	M	1	0	Interchange header
	0010	3	UNH	M	1	0	Message header
	0020	4	BGM	M	1	0	Beginning of message
	0050	5	DTM	M	1	1	Message Creation Date
	0050	6	DTM	M	1	1	Date of registration
	0050	7	DTM	D	1	1	Date of Amendment
	0180		SG3	C	1	1	Commercial Reference Number (B/L Number)
	0190	8	RFF	M	1	1	Reference
	0180		SG3	D	1	1	Local Reference Number
	0190	9	RFF	M	1	1	Reference
	0180		SG3	M	1	1	MRN
	0190	10	RFF	M	1	1	Reference
	0460		SG8	M	1	1	Information on voyage and customs offices
	0470	11	TDT	M	1	1	Details of transport
	0500		SG9	C	1	2	LOC-DTM
	0510	12	LOC	M	1	2	Declared customs office at entry
	0520	13	DTM	C	1	3	Estimated date of arrival
	0560		SG11	M	1	1	Person lodging the summary declaration or it's amendment
	0570	14	NAD	M	1	1	Name and address
	0560		SG11	C	1	1	Entry Trader (Carrier)
	0570	15	NAD	M	1	1	Name and address
	0560		SG11	C	1	1	Representative
	0570	16	NAD	M	1	1	Name and address
	0890		SG18	C	999	1	Goods Items
	0900	17	GID	M	1	1	Goods item details
	1100		SG22	C	1	2	RFF
	1110	18	RFF	M	1	2	Commercial Reference Number (Goods Item)
	1180		SG24	C	99	2	DOC
	1190	19	DOC	M	1	2	Produced Documents/Certificates
	1260		SG27	C	99	2	SGP
	1270	20	SGP	M	1	2	Container Numbers
	1870	21	UNT	M	1	0	Message trailer
	0000	22	UNZ	M	1	0	Interchange trailer

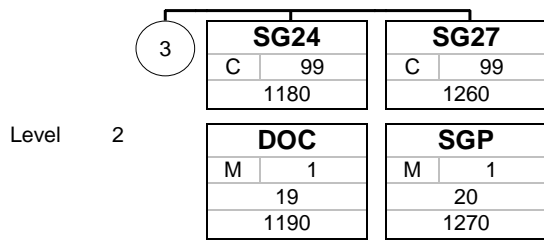
## 5 Branching Diagram

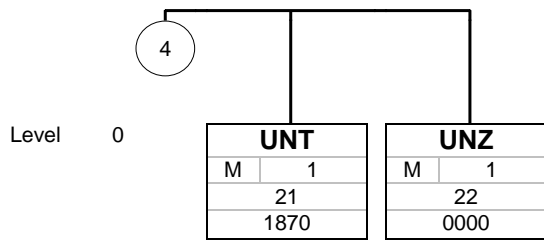












## 6 Segment Description

Counter	No	Tag	St	MaxOcc	Level	Name
0000	1	<b>UNA</b>	C	1	0	Service string advice

		Standard	Implementation	
Tag	Name	St Format	St Format	Usage / Remark
UNA				
UNA1	Component data element separator	M an1	M an1	
UNA2	Data element separator	M an1	M an1	
UNA3	Decimal notation	M an1	M an1	
UNA4	Release indicator	M an1	M an1	
UNA5	Reserved for future use	M an1	M an1	
UNA6	Segment terminator	M an1	M an1	

**Example:**

UNA: + . ? ' '

Counter	No	Tag	St	MaxOcc	Level	Name
0000	2	<b>UNB</b>	M	1	0	Interchange header

Standard			Implementation	
Tag	Name	St Format	St Format	Usage / Remark
UNB				
S001	Syntax identifier	M	M	
0001	Syntax identifier	M a4	M a4	
0002	Syntax version number	M n1	M n1	
S002	Interchange sender	M	M	
0004	Sender identification	M an..35	M an..35	<b>Description:</b> One of DAKOSY's own participant codes will be used here. The exact code used is to be determined.
0007	Partner identification code qualifier	C an..4	N	Not used
0008	Address for reverse routing	C an..14	N	Not used
S003	Interchange recipient	M	M	
0010	Recipient identification	M an..35	M an..35	<b>Description:</b> DAKOSY Participant Code of the receiving party
0007	Partner identification code qualifier	C an..4	N	Not used
0014	Routing address	C an..14	N	Not used
S004	Date/time of preparation	M	M	
0017	Date of preparation	M n6	M n6	
0019	Time of preparation	M n4	M n4	
0020	Interchange control reference	M an..14	M an..14	<b>Description:</b> A unique reference number identifying this EDIFACT interchange.
S005	Recipient's reference, password	C	N	
0022	Recipient's reference/password	M an..14	N	Not used
0025	Recipient's reference/password qualifier	C an2	N	Not used
0026	Application reference	C an..14	N	Not used
0029	Processing priority code	C a1	N	Not used
0031	Acknowledgement request	C n1	N	Not used
0032	Communications agreement ID	C an..35	N	Not used
0035	Test indicator	C n1	C n1	<b>Description:</b> Test indicator. If this field is submitted and has a value '1', the message will be treated as a test message.

**Example:**

UNB+UNOC:3+CARR+DAK+100122:1707+20100123100000+++++1'

Counter	No	Tag	St	MaxOcc	Level	Name
0010	3	<b>UNH</b>	M	1	0	Message header

Standard			Implementation	
Tag	Name	St Format	St Format	Usage / Remark
UNH				
0062	Message reference number	M an..14	M an..14	<b>Description:</b> Unique technical reference identifying this EDIFACT message
S009	Message identifier	M	M	
0065	Message type	M an..6	M an..6	
0052	Message version number	M an..3	M an..3	
0054	Message release number	M an..3	M an..3	
0051	Controlling agency	M an..2	M an..2	
0057	Association assigned code	C an..6	C an..6	<b>Description:</b> Used to indicate the specification version used for this message.
0068	Common access reference	C an..35	N	Not used
S010	Status of the transfer	C	N	
0070	Sequence of transfers	M n..2	N	Not used
0073	First and last transfer	C a1	N	Not used

**Example:**

UNH+20100122171055+IFTMCS:D:00B:UN:ACK10'



Counter	No	Tag	St	MaxOcc	Level	Name
0020	4	<b>BGM</b>	M	1	0	Beginning of message

Standard			Implementation	
Tag	Name	St Format	St Format	Usage / Remark
BGM				
C002	Document/message name	C	C	
1001	Document name code	C an..3	C an..3	<b>301 Response to registration</b> <b>312 Acknowledgement message</b> <i>Description:</i> Code 301 will be used if the IFTMCS is used to submit an E_ENS_ACK (ENS declaration acknowledgement). Code 312 will be used when sending an E_ENS_AAC (ENS amendment acceptance).
1131	Code list identification code	C an..17	N	Not used
3055	Code list responsible agency code	C an..3	N	Not used
1000	Document name	C an..35	N	Not used
C106	Document/message identification	C	N	
1004	Document identifier	C an..35	N	Not used
1056	Version identifier	C an..9	N	Not used
1060	Revision identifier	C an..6	N	Not used
1225	Message function code	C an..3	N	Not used
4343	Response type code	C an..3	N	Not used

**Example:**  
BGM+301'

Counter	No	Tag	St	MaxOcc	Level	Name
0050	5	<b>DTM</b>	M	1	1	Message Creation Date

Standard			Implementation	
Tag	Name	St Format	St Format	Usage / Remark
DTM				
C507	Date/time/period	M	M	
2005	Date or time or period function code qualifier	M an..3	M an..3	<b>137 Document/message date/time</b>
2380	Date or time or period value	C an..35	C an..35	<b>Description:</b> Message creation date
2379	Date or time or period format code	C an..3	C an..3	<b>203 CCYMMDDHHMM</b>

**Example:**

DTM+137:201003051200:203'

Counter	No	Tag	St	MaxOcc	Level	Name
0050	6	<b>DTM</b>	M	1	1	Date of registration

Standard			Implementation	
Tag	Name	St Format	St Format	Usage / Remark
DTM				
C507	Date/time/period	M	M	
2005	Date or time or period function code qualifier	M an..3	M an..3	<b>324 Processing date/period</b>
2380	Date or time or period value	C an..35	C an..35	<b>Field in ICS:</b> Date of Registration <b>Description:</b> Date/Time when the ENS declaration/amendment was registered with customs and the MRN was allocated
2379	Date or time or period format code	C an..3	C an..3	<b>203 CCYYMMDDHHMM</b>

**Example:**

DTM+324:201003051200:203'

Counter	No	Tag	St	MaxOcc	Level	Name
0050	7	<b>DTM</b>	D	1	1	<b>Date of Amendment</b>

This segment will be used when sending an E\_ENS\_AAC only (see description of BGM.1001)

		Standard	Implementation	
Tag	Name	St Format	St Format	Usage / Remark
DTM				
C507	Date/time/period	M	M	
2005	Date or time or period function code qualifier	M an..3	M an..3	<b>375 Date of first registration</b>
2380	Date or time or period value	C an..35	C an..35	<b>Field in ICS:</b> Date and time of amendment <b>Description:</b> Date/Time when the ENS declaration was amended
2379	Date or time or period format code	C an..3	C an..3	<b>203 CCYYMMDDHHMM</b>

**Example:**

DTM+334:201003071200:203'

Counter	No	Tag	St	MaxOcc	Level	Name
0180		<b>SG3</b>	C	1	1	Commercial Reference Number (B/L Number)
0190	8	<b>RFF</b>	M	1	1	Reference

Standard			Implementation	
Tag	Name	St Format	St Format	Usage / Remark
RFF				
C506	Reference	M	M	
1153	Reference code qualifier	M an..3	M an..3	<b>BM Bill of lading number</b>
1154	Reference identifier	C an..70	M an..17	<b>Field in ICS:</b> Commercial Reference Number or UCR <b>Description:</b> For sea freight this will usually be the B/L number
1156	Document line identifier	C an..6	N	Not used
4000	Reference version identifier	C an..35	N	Not used
1060	Revision identifier	C an..6	N	Not used

**Example:**

RFF+BM:HJSC1234740'

Counter	No	Tag	St	MaxOcc	Level	Name
0180		<b>SG3</b>	D	1	1	Local Reference Number
0190	9	<b>RFF</b>	M	1	1	Reference

Standard			Implementation	
Tag	Name	St Format	St Format	Usage / Remark
RFF				
C506	Reference	M	M	
1153	Reference code qualifier	M an..3	M an..3	<b>ABO Originator's reference</b>
1154	Reference identifier	C an..70	R an..22	<b>Field in ICS:</b> Local Reference Number <b>Description:</b> This segment will contain the local reference number specified in the original declaration
1156	Document line identifier	C an..6	N	Not used
4000	Reference version identifier	C an..35	N	Not used
1060	Revision identifier	C an..6	N	Not used

**Example:**

RFF+ABO:123456'

Counter	No	Tag	St	MaxOcc	Level	Name
0180		<b>SG3</b>	M	1	1	<b>MRN</b>
0190	10	<b>RFF</b>	M	1	1	<b>Reference</b>

Standard			Implementation	
Tag	Name	St Format	St Format	Usage / Remark
RFF				
C506	Reference	M	M	
1153	Reference code qualifier	M an..3	M an..3	<b>Description:</b> Qualifier MRN, despite having a different meaning in UN/EDIFACT, is used for designation of the MRN number within the IFTMCS. <b>MRN Mailing reference number</b>
1154	Reference identifier	C an..70	C an18	<b>Field in ICS:</b> MRN <b>Description:</b> The MRN customs assigned to the declaration
1156	Document line identifier	C an..6	N	Not used
4000	Reference version identifier	C an..35	N	Not used
1060	Revision identifier	C an..6	N	Not used

**Example:**

RFF+MRN:08DE32101234567898'

Counter	No	Tag	St	MaxOcc	Level	Name
0460		<b>SG8</b>	M	1	1	Information on voyage and customs offices
0470	11	<b>TDT</b>	M	1	1	Details of transport

Standard			Implementation	
Tag	Name	St Format	St Format	Usage / Remark
TDT				
8051	Transport stage code qualifier	M an..3	M an..3	<b>20 Main-carriage transport</b>
8028	Means of transport journey identifier	C an..17	C an..17	<b>Field in ICS:</b> Conveyance Reference Number <b>Field in ICS:</b> Nummer der Beförderung <b>Description:</b> Voyage Number
C220	Mode of transport	C	D	
8067	Transport mode name code	C an..3	C an..3	<b>1 Maritime transport</b> <b>Field in ICS:</b> Verkehrszweig an der Grenze <b>Description:</b> Wird i.d.R. den Wert '1' haben (Seetransport)
8066	Transport mode name	C an..17	N	Not used
C228	Transport means	C	N	
8179	Transport means description code	C an..8	C an..8	
8178	Transport means description	C an..17	N	Not used
C040	Carrier	C	N	
3127	Carrier identifier	C an..17	N	Not used
1131	Code list identification code	C an..17	N	Not used
3055	Code list responsible agency code	C an..3	N	Not used
3128	Carrier name	C an..35	N	Not used
8101	Transit direction indicator code	C an..3	N	Not used
C401	Excess transportation information	C	N	
8457	Excess transportation reason code	M an..3	M an..3	
8459	Excess transportation responsibility code	M an..3	N	Not used
7130	Customer shipment authorisation identifier	C an..17	N	Not used
C222	Transport identification	C	C	
8213	Transport means identification name identifier	C an..9	C an..9	<b>Description:</b> IMO Number <b>Field in ICS:</b> Identity Crossing Border
1131	Code list identification code	C an..17	N	Not used
3055	Code list responsible agency code	C an..3	N	Not used
8212	Transport means identification name	C an..35	N	Not used
8453	Transport means nationality code	C an..3	C an..3	<b>Description:</b> Vessel Nationality <b>Description:</b> Nationalität (Schiff) <b>Field in ICS:</b> Nationality Crossing Border
8281	Transport means ownership indicator code	C an..3	N	Not used

**Example:**

TDT+20+ABCD0021W+1+++++99999999:::AD'



Counter	No	Tag	St	MaxOcc	Level	Name
---------	----	-----	----	--------	-------	------

0500 **SG9** C 1 2 **LOC-DTM**

First Customs office at entry - ID of customs office where the goods enter the EU

0510 12 **LOC** M 1 2 **Declared customs office at entry**

Standard			Implementation	
Tag	Name	St Format	St Format	Usage / Remark
LOC				
3227	Location function code qualifier	M an..3	M an..3	<b>41 Customs office of entry</b>
C517	Location identification	C	M	
3225	Location name code	C an..25	C an..9	<b>Field in ICS:</b> First Entry Customs Office (Reference Number) <b>Description:</b> List of customs office codes available at: <a href="http://ec.europa.eu/taxation_customs/dds/csr/home_en.htm">http://ec.europa.eu/taxation_customs/dds/csr/home_en.htm</a>
1131	Code list identification code	C an..17	N	Not used
3055	Code list responsible agency code	C an..3	N	Not used
3224	Location name	C an..256	N	Not used
C519	Related location one identification	C	N	
3223	First related location name code	C an..25	C an..25	
1131	Code list identification code	C an..17	N	Not used
3055	Code list responsible agency code	C an..3	N	Not used
3222	First related location name	C an..70	N	Not used
C553	Related location two identification	C	N	
3233	Second related location name code	C an..25	C an..25	
1131	Code list identification code	C an..17	N	Not used
3055	Code list responsible agency code	C an..3	N	Not used
3232	Second related location name	C an..70	N	Not used
5479	Relation code	C an..3	M an..3	<b>0</b>

**Example:**

LOC+41+FR001234+++0'

Counter	No	Tag	St	MaxOcc	Level	Name
---------	----	-----	----	--------	-------	------

0500      **SG9**      C      1      2      **LOC-DTM**

First Customs office at entry - ID of customs office where the goods enter the EU

0520    13      **DTM**      C      1      3      **Estimated date of arrival**

			Standard	Implementation	
Tag	Name	St Format	St Format	St Format	Usage / Remark
DTM					
C507	Date/time/period	M	M		
2005	Date or time or period function code qualifier	M an..3	M an..3		<b>132 Arrival date/time, estimated</b>
2380	Date or time or period value	C an..35	M an..35		<b>Field in ICS:</b> First customs office at entry - Estimated date and time of arrival
2379	Date or time or period format code	C an..3	C an..3		<b>203 CCYYMMDDHHMM</b>

**Example:**

DTM+132:201001241355:203'

Counter	No	Tag	St	MaxOcc	Level	Name
0560		<b>SG11</b>	M	1	1	Person lodging the summary declaration or it's amendment
0570	14	<b>NAD</b>	M	1	1	Name and address

Message Sender - equal to the Party / Person lodging a summary declaration for ICS or national summary declaration

Standard			Implementation	
Tag	Name	St Format	St Format	Usage / Remark
NAD				
3035	Party function code qualifier	M an..3	M an..3	<b>MS Document/message issuer/sender</b>
C082	Party identification details	C	M	
3039	Party identifier	M an..35	M an..17	<b>Field in ICS:</b> (LODGING SUMMARY DECLARATION) PERSON (TIN)
1131	Code list identification code	C an..17	N	Not used
3055	Code list responsible agency code	C an..3	N	Not used
C058	Name and address	C	C	
3124	Name and address description	M an..35	M n4	<b>Description:</b> Branch number <b>ICS related remarks:</b> Note: Branch number of German customs
3124	Name and address description	C an..35	N	Not used
3124	Name and address description	C an..35	N	Not used
3124	Name and address description	C an..35	N	Not used
3124	Name and address description	C an..35	N	Not used
C080	Party name	C	C	
3036	Party name	M an..35	M an..35	<b>Field in ICS:</b> Person Lodging Summary Declaration (Name)
3036	Party name	C an..35	N	Not used
3036	Party name	C an..35	N	Not used
3036	Party name	C an..35	N	Not used
3036	Party name	C an..35	N	Not used
3045	Party name format code	C an..3	N	Not used
C059	Street	C	C	
3042	Street and number or post office box identifier	M an..35	M an..35	<b>Field in ICS:</b> Person Lodging Summary Declaration (Street and Number)
3042	Street and number or post office box identifier	C an..35	N	Not used
3042	Street and number or post office box identifier	C an..35	N	Not used
3042	Street and number or post office box identifier	C an..35	N	Not used
3164	City name	C an..35	C an..35	<b>Field in ICS:</b> Person Lodging Summary Declaration (City)
C819	Country sub-entity details	C	N	
3229	Country sub-entity name code	C an..9	C an..9	
1131	Code list identification code	C an..17	N	Not used
3055	Code list responsible agency code	C an..3	N	Not used
3228	Country sub-entity name	C an..35	N	Not used
3251	Postal identification code	C an..17	C an..17	<b>Field in ICS:</b> Person Lodging Summary Declaration (Postcode)

3207	Country name code	C an..3	C an..3	<i>Field in ICS:</i> Person Lodging Summary Declaration (Country)
------	-------------------	---------	---------	---

**Example:**

NAD+MS+DE6000522'

Counter	No	Tag	St	MaxOcc	Level	Name
0560		<b>SG11</b>	C	1	1	Entry Trader (Carrier)
0570	15	<b>NAD</b>	M	1	1	Name and address

Standard			Implementation	
Tag	Name	St Format	St Format	Usage / Remark
NAD				
3035	Party function code qualifier	M an..3	M an..3	<b>CG Carrier's agent</b>
C082	Party identification details	C	C	
3039	Party identifier	M an..35	M an..35	<b>Field in ICS:</b> (ENTRY CARRIER) TRADER TIN
1131	Code list identification code	C an..17	N	Not used
3055	Code list responsible agency code	C an..3	N	Not used
C058	Name and address	C	C	
3124	Name and address description	M an..35	M n4	<b>Description:</b> Branch number <b>ICS related remarks:</b> Note: Branch number of German customs
3124	Name and address description	C an..35	N	Not used
3124	Name and address description	C an..35	N	Not used
3124	Name and address description	C an..35	N	Not used
3124	Name and address description	C an..35	N	Not used
C080	Party name	C	C	
3036	Party name	M an..35	M an..35	<b>Field in ICS:</b> (ENTRY CARRIER) TRADER NAME
3036	Party name	C an..35	N	Not used
3036	Party name	C an..35	N	Not used
3036	Party name	C an..35	N	Not used
3036	Party name	C an..35	N	Not used
3045	Party name format code	C an..3	N	Not used
C059	Street	C	C	
3042	Street and number or post office box identifier	M an..35	M an..35	<b>Field in ICS:</b> (ENTRY CARRIER) TRADER STREET AND NUMBER
3042	Street and number or post office box identifier	C an..35	N	Not used
3042	Street and number or post office box identifier	C an..35	N	Not used
3042	Street and number or post office box identifier	C an..35	N	Not used
3164	City name	C an..35	C an..35	<b>Field in ICS:</b> (ENTRY CARRIER) TRADER CITY
C819	Country sub-entity details	C	N	
3229	Country sub-entity name code	C an..9	N	Not used
1131	Code list identification code	C an..17	N	Not used
3055	Code list responsible agency code	C an..3	N	Not used
3228	Country sub-entity name	C an..35	N	Not used
3251	Postal identification code	C an..17	C an..17	<b>Field in ICS:</b> (ENTRY CARRIER) TRADER POSTCODE
3207	Country name code	C an..3	C an..3	<b>Field in ICS:</b> (ENTRY CARRIER) TRADERCOUNTRY

Example:

NAD+CG+DE6000123++CARRIER COMPANY+WINROAD 21+HONGKONG++123450+CN'

Counter	No	Tag	St	MaxOcc	Level	Name
---------	----	-----	----	--------	-------	------

0560 **SG11** C 1 1 **Representative**

This segment will be used when sending an E\_ENS\_AAC only (see description of BGM.1001)

0570 16 **NAD** M 1 1 **Name and address**

Standard			Implementation	
Tag	Name	St Format	St Format	Usage / Remark
NAD				
3035	Party function code qualifier	M an..3	M an..3	<b>AG Agent/representative</b>
C082	Party identification details	C	C	
3039	Party identifier	M an..35	M an..35	<b>Field in ICS:</b> (REPRESENTATIVE) TRADER TIN <b>ICS related remarks:</b> Will only be sent with amendment confirmations
1131	Code list identification code	C an..17	N	Not used
3055	Code list responsible agency code	C an..3	N	Not used
C058	Name and address	C	C	
3124	Name and address description	M an..35	M n4	<b>Description:</b> Branch number <b>ICS related remarks:</b> Note: Branch number of German customs
3124	Name and address description	C an..35	N	Not used
3124	Name and address description	C an..35	N	Not used
3124	Name and address description	C an..35	N	Not used
3124	Name and address description	C an..35	N	Not used
C080	Party name	C	C	
3036	Party name	M an..35	M an..35	<b>Field in ICS:</b> (REPRESENTATIVE) TRADER Name <b>ICS related remarks:</b> Will only be sent with amendment confirmations, if submitted by customs system (BGM.1001 = 312, see description there)
3036	Party name	C an..35	N	Not used
3036	Party name	C an..35	N	Not used
3036	Party name	C an..35	N	Not used
3036	Party name	C an..35	N	Not used
3045	Party name format code	C an..3	N	Not used
C059	Street	C	C	
3042	Street and number or post office box identifier	M an..35	M an..35	<b>Field in ICS:</b> (REPRESENTATIVE) TRADER Street and Number <b>ICS related remarks:</b> Will only be sent with amendment confirmations, if submitted by customs system (BGM.1001 = 312, see description there)
3042	Street and number or post office box identifier	C an..35	N	Not used
3042	Street and number or post office box identifier	C an..35	N	Not used
3042	Street and number or post office box identifier	C an..35	N	Not used
3164	City name	C an..35	C an..35	<b>Field in ICS:</b> (REPRESENTATIVE) TRADER City <b>ICS related remark:</b> Will only be sent with amendment confirmations, if submitted by customs system (BGM.1001 = 312, see description there)
C819	Country sub-entity details	C	N	
3229	Country sub-entity name code	C an..9	N	Not used

1131	Code list identification code	C an..17	N	Not used
3055	Code list responsible agency code	C an..3	N	Not used
3228	Country sub-entity name	C an..35	N	Not used
3251	Postal identification code	C an..17	C an..17	<b>Field in ICS:</b> (REPRESENTATIVE) TRADER Postcode <b>ICS related remark:</b> Will only be sent with amendment confirmations, if submitted by customs system (BGM.1001 = 312, see description there)
3207	Country name code	C an..3	C an..3	<b>Field in ICS:</b> (REPRESENTATIVE) TRADER Country <b>ICS related remark:</b> Will only be sent with amendment confirmations, if submitted by customs system (BGM.1001 = 312, see description there)

**Example:**

NAD+AG+6006005'



Counter	No	Tag	St	MaxOcc	Level	Name
0890		<b>SG18</b>	C	999	1	<b>Goods Items</b>
0900	17	<b>GID</b>	M	1	1	<b>Goods item details</b>

Standard			Implementation	
Tag	Name	St Format	St Format	Usage / Remark
GID				
1496	Goods item number	C n..5	C n..5	<b>Field in ICS:</b> GOODS ITEM Item Number
C213	Number and type of packages	C	N	
7224	Package quantity	C n..8	N	Not used
7065	Package type description code	C an..17	N	Not used
1131	Code list identification code	C an..17	N	Not used
3055	Code list responsible agency code	C an..3	N	Not used
7064	Type of packages	C an..35	N	Not used
7233	Packaging related description code	C an..3	N	Not used
C213	Number and type of packages	C	N	
7224	Package quantity	C n..8	N	Not used
7065	Package type description code	C an..17	N	Not used
1131	Code list identification code	C an..17	N	Not used
3055	Code list responsible agency code	C an..3	N	Not used
7064	Type of packages	C an..35	N	Not used
7233	Packaging related description code	C an..3	N	Not used
C213	Number and type of packages	C	N	
7224	Package quantity	C n..8	N	Not used
7065	Package type description code	C an..17	N	Not used
1131	Code list identification code	C an..17	N	Not used
3055	Code list responsible agency code	C an..3	N	Not used
7064	Type of packages	C an..35	N	Not used
7233	Packaging related description code	C an..3	N	Not used
C213	Number and type of packages	C	N	
7224	Package quantity	C n..8	N	Not used
7065	Package type description code	C an..17	N	Not used

1131	Code list identification code	C an..17	N	Not used
3055	Code list responsible agency code	C an..3	N	Not used
7064	Type of packages	C an..35	N	Not used
7233	Packaging related description code	C an..3	N	Not used

**Example:**

GID+1'

Counter	No	Tag	St	MaxOcc	Level	Name
1100		<b>SG22</b>	C	1	2	RFF
1110	18	<b>RFF</b>	M	1	2	<b>Commercial Reference Number (Goods Item)</b>

This segment will be sent only if no commercial reference number is specified on header level

		Standard	Implementation	
Tag	Name	St Format	St Format	Usage / Remark
RFF				
C506	Reference	M	M	
1153	Reference code qualifier	M an..3	M an..3	<b>BM Bill of lading number</b>
1154	Reference identifier	C an..70	C an..70	<b>Field in ICS:</b> GOODS ITEM Commercial Reference Number
1156	Document line identifier	C an..6	N	Not used
4000	Reference version identifier	C an..35	N	Not used
1060	Revision identifier	C an..6	N	Not used

**Example:**

RFF+BM:JJSS12340'

Counter	No	Tag	St	MaxOcc	Level	Name
1180		SG24	C	99	2	DOC
1190	19	DOC	M	1	2	Produced Documents/Certificates

Occurrences of this segment are used to specify documents and certificates named in the original ENS declaration/ENS declaration amendment

		Standard	Implementation	
Tag	Name	St Format	St Format	Usage / Remark
DOC				
C002	Document/message name	M	M	
1001	Document name code	C an..3	N	Not used
1131	Code list identification code	C an..17	N	Not used
3055	Code list responsible agency code	C an..3	N	Not used
1000	Document name	C an..35	C an..4	<b>Field in ICS:</b> Produced Documents / Document Type <b>ICS related remarks:</b> Codelist to be provided
C503	Document/message details	C	C	
1004	Document identifier	C an..35	C an..35	<b>Field in ICS:</b> Produced Documents / Document Reference
1373	Document status code	C an..3	N	Not used
1366	Document source description	C an..70	N	Not used
3453	Language name code	C an..3	N	Not used
1056	Version identifier	C an..9	N	Not used
1060	Revision identifier	C an..6	N	Not used
3153	Communication medium type code	C an..3	N	Not used
1220	Document copies required quantity	C n..2	N	Not used
1218	Document originals required quantity	C n..2	N	Not used

**Example:**

DOC+:::N704+CC54640'

Counter	No	Tag	St	MaxOcc	Level	Name
1260		<b>SG27</b>	C	99	2	<b>SGP</b>
1270	20	<b>SGP</b>	M	1	2	<b>Container Numbers</b>

Standard			Implementation	
Tag	Name	St Format	St Format	Usage / Remark
SGP				
C237	Equipment identification	M	M	
8260	Equipment identifier	C an..17	M an..17	<b>Field in ICS:</b> Container Number
1131	Code list identification code	C an..17	N	Not used
3055	Code list responsible agency code	C an..3	N	Not used
3207	Country name code	C an..3	N	Not used
7224	Package quantity	C n..8	N	Not used

**Example:**  
SGP+CARR3322115'

Counter	No	Tag	St	MaxOcc	Level	Name
1870	21	<b>UNT</b>	M	1	0	<b>Message trailer</b>

Standard			Implementation	
Tag	Name	St Format	St Format	Usage / Remark
UNT				
0074	Number of segments in the message	M n..6	M n..6	
0062	Message reference number	M an..14	M an..14	

**Example:**

UNT+19+20100122171055'

Counter	No	Tag	St	MaxOcc	Level	Name
0000	22	<b>UNZ</b>	M	1	0	Interchange trailer

Standard			Implementation	
Tag	Name	St Format	St Format	Usage / Remark
UNZ				
0036	Interchange control count	M n..6	M n..6	
0020	Interchange control reference	M an..14	M an..14	

**Example:**

UNZ+1+20100123100000'