



Manifest (EDIFACT IFTMCS)

Message Implementation Guide

Version 1.7.3

(Valid from October 2017)

DAKOSY
Datenkommunikationssystem AG

Mattentwiete 2
20457 Hamburg
www.dakosy.de

Phone: + 49 40 37003 0
Fax: + 49 40 37003 370
info@dakosy.de

Change history

Version	Chapter/ Section	Reason	Name	Date
1.0.0	0 3	Added Message Structure and Branching Diagrams Added segment DOC in SG18 to submit “Produced Documents / Certificates” as per TAXUD specs	Blanken	20.07.2010
1.0.1		(not published)		
1.0.2		Bugfix: Corrected Codelist for Segment TOD (Payment Method) Bugfix: Corrected format for customs offices (an8 instead of an..9)	Blanken	25.08.2010
1.1	All	Added possibility to indicate Location Codes instead of Customs Office Codes	Blanken	10.09.2010
1.2		Corrected length of Local Reference Number (22 instead of 35)	Blanken	15.10.2010
1.3		(not released)		
1.4		Bugfix: GID/MEA is not a mandatory element Bugfix: TDT, elements Carrier Identification, Vessel Name and Nationality are no mandatory elements. Bugfix: GID/FTX+AAA is not mandatory but an alternative to the commodity code Bugfix: GID/DGS/FTX+AAD is not a mandatory element Added NAD+MS/data element 1131 to be used for the “RIN” when sending declarations to Austrian customs. GID/FTX+AAA has been extended with data element 3453 (language of goods description); needed for Belgian customs. GID/PCI has been extended with data element 7511 (language of Marks & Numbers); needed for Belgian customs. Bugfix: NAD+CN/data element C082 is not a mandatory element Removed Version History older than Version 1.0.0		
1.5		(not released)		
1.6.0		Bugfix: Loading place optional if Special Circumstance Indicator (RFF+SC) = ‘A’ Bugfix: Unloading place is usually optional Added customs status (GID/FTX+AAH) for ENS to finnish customs Bulk Cargo should always be sent with number of packages = 1 Amended / Extended numerous segment and field descriptions	Blanken	31.03.2011

Version	Chapter/ Section	Reason	Name	Date
		Added field "Name Continuation" in NAD segment for ENS to finnish customs Correction: Added qualifier for Goods Description Correction: EQD / Element 8077 wasn't documented Fixed description for Customs Office of Lodgement		
1.7.0		Addition of Branch No.	Dietrich	15.09.2012
1.7.1		Advance Filing Rules Japan	Dietrich	10.02.2014
1.7.2		Edition of specifications in SG 11(1)/NAD, smaller corrections	Dietrich	29.01.2015
1.7.3		Addition of changes referring to declarations in Japan (New FTX segments (Information for the deletion of a B/L declaration/Abnormal Cargo Code), specification of phone no. in SG/RFF/COM in case of CZ, CN and N1 required, number of repetitions > SG/DGS up to 5 times)	Dietrich	20.07.2017

Change requests

DAKOSY

Datenkommunikationssystem AG

Mattentwiete 2

20457 Hamburg

- 1. Phone: + 49 40 37003 - 0
- 2. Fax: + 49 40 37003 370
- 3. Email: info@dakosy.de

Used tools

Number	Used tools
W1	This document has been created using <i>Microsoft Word 2010</i> .

Liability

- Please note that no liability claims can be derived towards DAKOSY AG for the content of this manual, despite careful development and examination of this document!

Table of contents

1	Introduction	5
2	Data within the Entry Summary Declaration (ENS).....	6
2.1	Data contained in the message	6
2.2	Customs Office Codes	6
2.3	Differences/Specifics regarding “Original” and Amendment message.....	6
2.4	Rules regarding amendments.....	6
2.5	Specifics regarding certain EU countries	7
3.	ICS Business Process.....	8
3.1	Use Case “Sending ENS declaration”	8
3.2	Use case “Sending ENS amendment”	9
3.3	Other use cases	9
4	Handling of the IFTMCS message.....	10
4.1	Sending manifest data in IFTMCS format	10
4.2	Conversion of manifest data to ENS declaration	10
5	Message Content Structure	11
6	Segment Structure	14
7	Branching Diagram	17
8	Segment Description	33
9	Further information on ICS / ECS.....	148

1 Introduction

This document describes the subset of the IFTMCS EDIFACT message which the carrier is using to submit manifest information to DAKOSY ICS.

Based on this information, DAKOSY ICS will create and send the according ENS declarations to the first customs office at entry as indicated within the IFTMCS.

2 Data within the Entry Summary Declaration (ENS)

This document describes one of the messages used with ZODIAK ICS to send the Entry Summary Declaration or Entry Summary Declaration Amendment to customs.

There are certain differences between the “original” and the Amendment message as well as certain specifics regarding the data that is sent to different countries. These are described in the following sections:

2.1 Data contained in the message

The core data elements used in the Entry Summary Declaration are laid out in Annex 30a to the EU customs codex. A link to this document can be found within this message guide in the section named “Further Information on ICS/ECS”.

2.2 Customs Office Codes

For the first and subsequent customs offices at entry, ZODIAK ICS allows to use UN or IATA Location Codes instead of actual customs office codes. Please contact DAKOSY if you’re interested in using this possibility.

2.3 Differences/Specifics regarding “Original” and Amendment message

- **Update Flag:** When sending an amendment message and using the EDIFACT IFTMCS message, data element BGM.1225 must have the value “5”, otherwise the message will be treated as a new original. When using the XML message EntrySummaryDeclaration, element <TypeOfDeclaration> must have the value “UPDATE”, otherwise the message will be treated as a new original.
- **Local Reference Number (“Bezugsnummer”):** The Local Reference Number (LRN) is a reference assigned by the declarant which should allow the declarant to link a declaration to data in his own IT system. Since Diversion Requests and Arrival Notices can be done on Entry Key level¹ while the ENS declaration usually will be done on shipment level², the Local Reference Number of Diversion Request and Arrival Notice can be different from the ones of the Entry Summary Declaration. However, changing the Local Reference of an Entry Summary Declaration with an Amendment is not possible. Also, the LRN has to be unique per customer, i.e. it is not possible to send the same LRN twice, even for different countries / entry ports.
- **MRN:** When sending an ENS Amendment, the message must contain the MRN assigned by customs to the “original” ENS declaration. I.e. it is not possible to update an ENS declaration before it was confirmed by customs.

2.4 Rules regarding amendments

The following is an excerpt from a document posted on the EU web site:

http://ec.europa.eu/ecip/documents/procedures/import_entry_guidelines_en.pdf ; Chapter 8):

¹ The „Entry Key“ is data which allows the customs system to link vessel information to the MRNs for shipments on that vessel. “Entry Key level” basically means “Vessel Level”.

² However, there is no obligation to do so

The ENS declarant (see paragraphs 3 and 4 of Article 36b CC) shall, at his request, be authorised to amend one or more particulars of the summary declaration after it has been lodged (Article 36b (5) CC).

From a legal point of view, there is no restriction in the CC or the CCIP to amend one or more particulars of the ENS. However, the particulars concerning the person lodging the ENS, the representative and the declared customs office of first entry should not be amended in order to avoid technical problems. Furthermore, it is not possible to amend an ENS after a diversion request has been accepted. The time limits for lodging the ENS do not start again after the amendment since it is the initial declaration that sets them. If at the time of amendment, the ship in deep sea container traffic has left the port of departure, a "no load" message cannot be issued.

When the particulars concerning the person lodging the ENS or the representative are not correct, a new ENS should be lodged, and the time limits laid down in Article 184a CCIP should wherever possible be respected in the case of the new ENS.

2.5 Specifics regarding certain EU countries

(valid at the date of issue; see document footer)

- **GERMANY:** German customs requires to receive contact data for the person lodging the summary declaration, i.e. one has to provide at least the name and phone number of a contact person for the declaration.

3. ICS Business Process

3.1 Use Case “Sending ENS declaration”

The diagram below describes the use case “Sending an ENS declaration” within the ICS business process.

Note 1: The roles “ENS Responsible” and “Carrier” will be embodied by the same entity in most cases.

Note 2: The EDI formats used for air freight differ substantially from the ones described here.

1. The ENS responsible sends declaration data to the EDI Provider (DAKOSY). The data is sent as an IFTMCS message (see chapter 3 ff. for details on the exact handling and contents of this message)

2.1. DAKOSY applies a number of plausibility checks to the IFTMCS message

2.2. If the plausibility checks find one or more errors, these errors are reported to the sender party with an EDIFACT APERAK message.

3. If no errors are found in step 2.1, DAKOSY will forward the E_ENS_DAT (ENS declaration message) to the first customs office at entry as indicated within the IFTMCS message. The exact EDI format used for communication with customs depends on the national regulations of the individual member states.

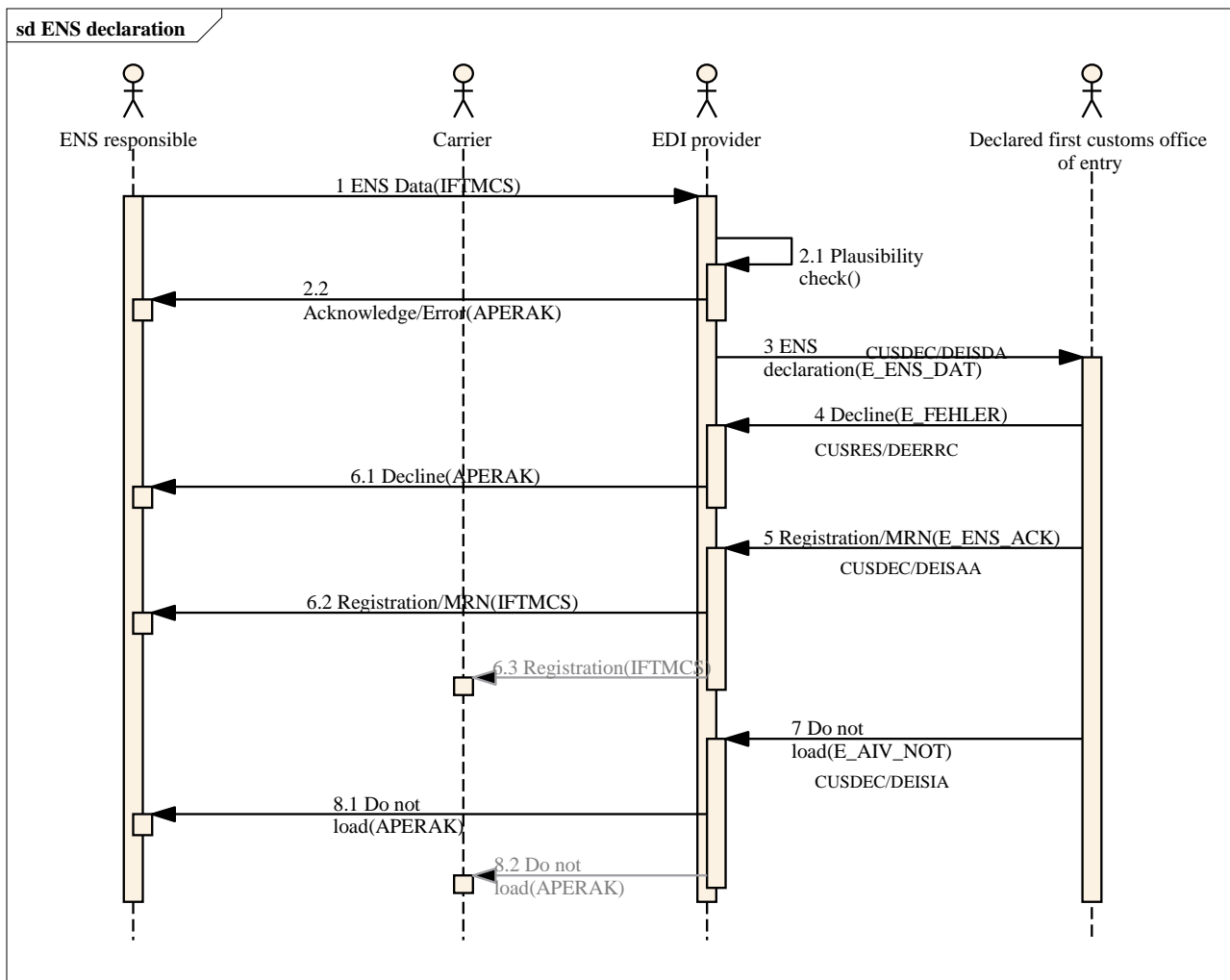
4. Customs will apply another set of checks to the inbound messages. If an error is found during these checks, an error message will be sent back to DAKOSY.

5. Otherwise, a message will be sent, stating that the declaration was accepted. This message will contain the MRN number assigned to the declaration.

6.1 – 6.3: Error messages (step 4) and/or registration information (step 5) will be forwarded to the ENS responsible and the carrier

7. For containerized sea freight, customs might reply with a “Do Not Load” message within 24 hours after the initial declaration.

8.1 – 8.2 The “Do Not Load” would be forwarded to ENS responsible and carrier with an EDIFACT APERAK message.



3.2 Use case “Sending ENS amendment”

The process for sending amendments to the ENS declaration is essentially the same as for sending the initial declaration (see 2.1) with some minor differences.

The party sending the amendment has to include the MRN number assigned to the original declaration within the data.

Also, the amendment might be sent by a third party (a “representative”) as indicated by the ENS responsible within the original declaration message.

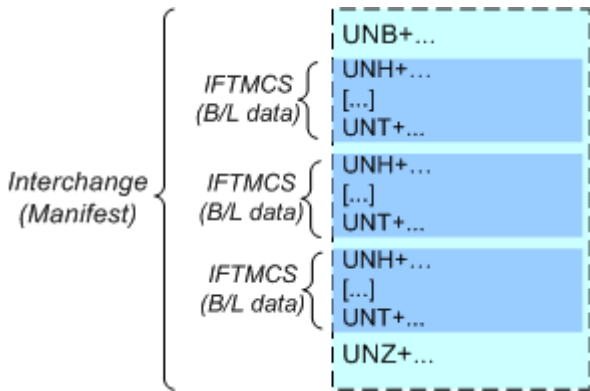
3.3 Other use cases

ICS includes two additional use cases, “Diversion Request” and “Arrival Notice”. These are described in the documentation for the IFTSTA message.

4 Handling of the IFTMCS message

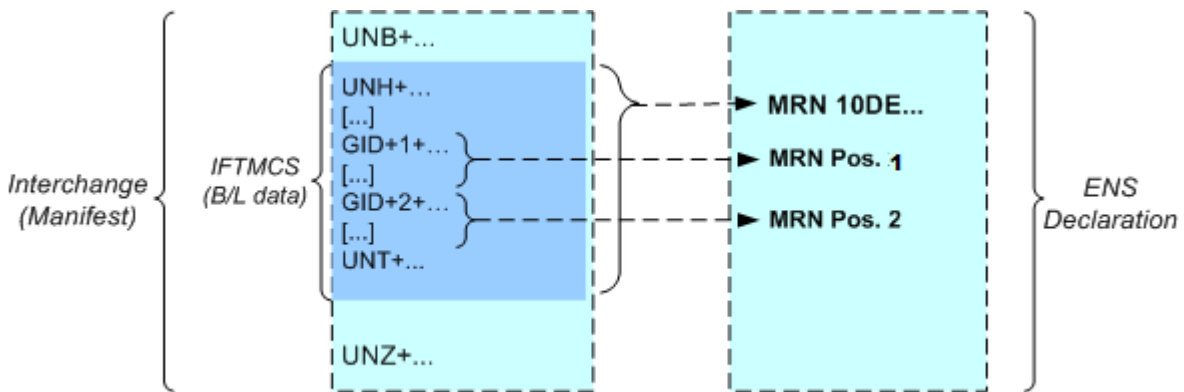
4.1 Sending manifest data in IFTMCS format

The EDIFACT message IFTMCS is designed as a “B/L Level” message and not as a manifest message. However, carriers may submit whole “manifests” by enclosing a number of IFTMCS messages in a single EDIFACT interchange.



4.2 Conversion of manifest data to ENS declaration

DAKOSY will convert inbound IFTMCS messages into ENS declarations. This means, each IFTMCS message will result in a MRN number being generated at customs. The goods items contained in the B/L will be converted into MRN positions.



5 Message Content Structure

ICS Field	EDIFACT Field	Remarks
Local Reference Number	BGM.C106.1004	Mandatory
---	BGM.C002.1001	Fixed Value "355" for ENS Declaration/Amendment
---	BGM.1225	'9' => E_ENS_DAT '5' => E_ENS_AMD
Declaration Date and Time	DTM.C507.2380	Mandatory
Total Gross Weight	CNT+7.C270.6066	Mandatory
Total Number of Items	CNT+2.C270.6066	Mandatory
Place of Declaration	SG1.LOC+91.C517	Mandatory
Method of Payment	SG2.TOD.4215	Optional
Commercial Reference Number	SG3.RFF+BM.C506.1154	B/L Number, Mandatory
MRN Number	SG3.RFF+MRN.C506.1154	Mandatory when sending updates
Conveyance Reference Number	SG8.TDT.8028	Optional
Mode Of Transport	SG8.TDT.C220.8067	Fixed Value "1", Mandatory
Identity of Means of Transport	SG8.TDT.C222.8213	IMO Number, Mandatory
Place of Unloading	SG9.LOC+11.C517.3224	PoD, Mandatory
Routing	SG9.LOC+11.C553.3233	Mapped to last routing item in ENS declaration, Mandatory
Place of Loading	SG9.LOC+9.C517.3224	PoL, Mandatory
Routing	SG9.LOC+9.C553.3233	Mapped to first routing item in ENS declaration, Mandatory
Code of first customs office at entry	SG9.LOC+41.C517.3225 (Element 5749 = 0)	Mandatory
ETA at first customs office at entry	SG9.DTM+132.C507.2380	Mandatory

Code(s) of subsequent customs offices	SG9.LOC+41.C517.3225 (Element 5749 = 1)	Mandatory if goods are shipped further into the EU
EORI TIN of Person Lodging the Declaration	SG11.NAD+MS.C082.3039	Mandatory
Address of Person Lodging the Declaration	SG11.NAD+MS.Cxx	Optional
Contact Person at Person Lodging Summary Declaration	SG11.NAD+MS/CTA & COM	Mandatory for German customs
EORI TIN of Carrier	SG11.NAD+CG.C082.3039	Mandatory if carrier should be mentioned in declaration
Address of Carrier	SG11.NAD+CG.Cxx	Optional
EORI TIN of Shipper/Consignor	SG11.NAD+CZ.C082.3039	Should be provided, if possible
Address of Shipper/Consignor	SG11.NAD+CZ.Cxx	Mandatory if no EORI TIN is provided
EORI TIN of Consignee	SG11.NAD+CN.C082.3039	Should be provided, if possible. Can be set to 10600 for "To Order" B/L
Address of Consignee	SG11.NAD+CN..Cxx	Mandatory if no EORI TIN is provided
EORI TIN of Notify	SG11.NAD+N1.C082.3039	Notify data is allowed only in case of "To-Order" B/L. Either TIN or Address has to be provided.
Address of Notify	SG11.NAD+N1.Cxx	Notify data is allowed only in case of "To-Order" B/L. Either TIN or Address has to be provided.
EORI TIN of Representative	SG11.NAD+AG.C082.3039	Mandatory if representative should be mentioned in declaration. Representative is a 3 rd party allowed to make amendments using E_ENS_AMD
Goods Item / Address of Representative	SG11.NAD+AG.Cxx	Optional
Goods Item / Number of Packages	SG18.GID.C213.7224	Mandatory
Goods Item / Type of Packages	SG18.GID.C213.7065	Mandatory
Goods Item / Commodity Code / HS Code	SG18.PIA.C212.7140	Mandatory if no Goods Description is provided
Goods Item / Goods Description	SG18.FTX+AAA.C108.4440	Mandatory, if no Commodity Code is provided
Goods Item / Gross Mass	SG20.MEA+AAE.C174.6314	Mandatory
Goods Item / Marks & Numbers	SG23.PCI.C210.7102	Optional

Produced Documents / Certificates	SG24.DOC	Dependent. Master B/L should be mentioned by a 3 rd party lodging a declaration
Container Number(s)	SG27.SGP.C237.3260	Should be provided for containerized freight
UNDG Code	SG30.DGS.C237.7124	Mandatory for DG Cargo
Seals IDs	SG35.SEL.9308	Should be provided if seals are used

6 Segment Structure

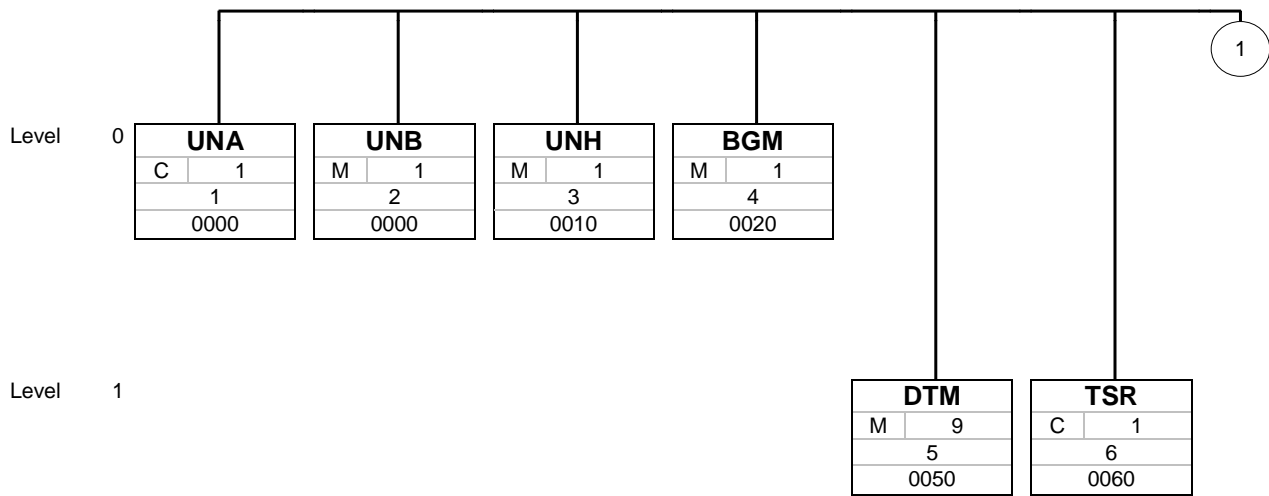
Counte	No	Tag	St	MaxOcc	Level	Content	
	0000	1	UNA	C	1	0	Service string advice
	0000	2	UNB	M	1	0	Interchange header
	0010	3	UNH	M	1	0	Message header
	0020	4	BGM	M	1	0	Beginning of message
	0050	5	DTM	M	9	1	Message Creation Date
	0060	6	TSR	C	1	1	Transport service requirements
	0070	7	CUX	C	1	1	Currencies
	0080	8	MOA	C	3	1	Monetary amount
	0090	9	FTX	D	1	1	Information for the deletion of a B/L declaration
	0090	10	FTX	D	1	1	Abnormal Cargo Code
	0100	11	CNT	M	1	1	Total Gross Weight
	0100	12	CNT	C	1	1	Control total
	0100	13	CNT	C	1	1	Number of Positions
	0100	14	CNT	D	9	1	Total Number of Packages
	0100	15	CNT	D	1	1	Total Volume
□	0120		SG1	C	2	1	LOC
□	0130	16	LOC	M	1	1	Place/location identification
□	0120		SG1	M	1	1	LOC
□	0130	17	LOC	M	1	1	Place of B/L issue (Location of Declaration/Amendment)
□	0120		SG1	C	1	1	LOC
□	0130	18	LOC	M	1	1	Customs Office of Lodgement
□	0150		SG2	C	1	1	TOD
□	0160	19	TOD	M	1	1	Method of payment
□	0180		SG3	M	1	1	RFF
□	0190	20	RFF	M	1	1	B/L Number (Commercial Reference Number)
□	0180		SG3	D	1	1	RFF
□	0190	22	RFF	M	1	1	Reference / Local Reference Number of original declaration
□	0180		SG3	D	1	1	RFF
□	0190	23	RFF	M	1	1	MRN of ENS declaration
□	0180		SG3	C	1	1	RFF
□	0190	24	RFF	M	1	1	Special Circumstance Indicator
□	0180		SG3	D	1	1	RFF
□	0190	25	RFF	D	1	1	Voyage number
□	0210		SG4	C	1	1	GOR
□	0220	26	GOR	M	1	1	Governmental requirements
□	0460		SG8	M	1	1	TDT-SG9-SG9-SG9-SG9-SG10-SG10
□	0470	27	TDT	M	1	1	Vessel Information
□	0500		SG9	D	1	2	Information about the PoD
□	0510	28	LOC	O	1	2	Only to be used in case of declarations in Japan. Valid values: 1-9.
□	0520	29	DTM	C	1	3	Date/time/period

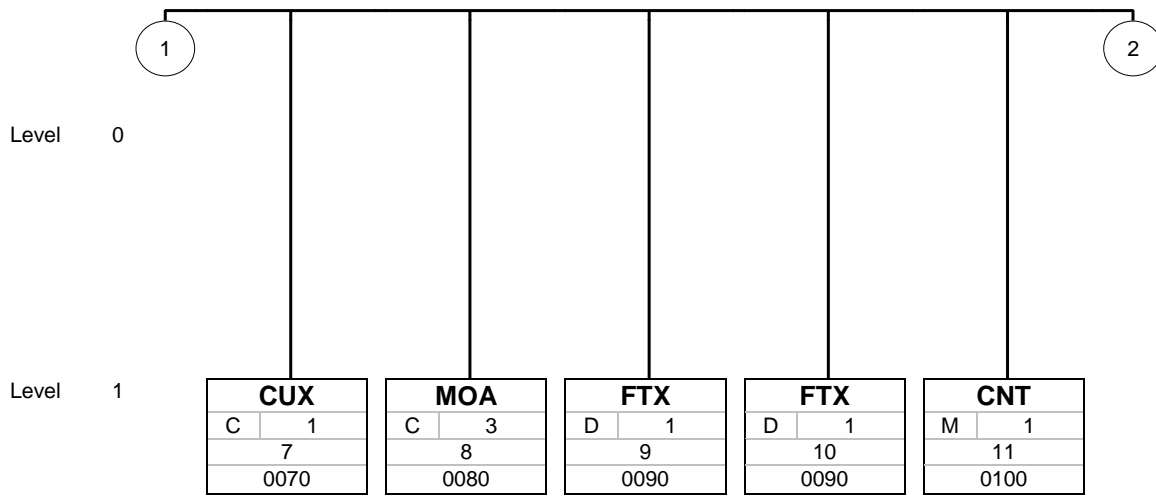
Counte	No	Tag	St	MaxOcc	Level	Content
	0500	SG9	D	1	2	Information about the PoL
	0510	30 LOC	M	1	2	Place/location identification
	0520	31 DTM	C	1	3	Date/time/period
	0500	SG9	C	1	2	Information about the first customs office at entry
	0510	33 LOC	M	1	2	Place/location identification
	0520	34 DTM	M	1	3	Date/time/period
	0500	SG9	C	94	2	Information about subsequent customs offices at entry
	0510	35 LOC	M	1	2	Place/location identification
	0530	SG10	D	1	2	RFF
	0540	36 RFF	M	1	2	Reference
	0530	SG10	C	1	2	RFF
	0540	37 RFF	M	1	2	Reference
	0460	SG8	O	1	1	Routing information
	0470	38 TDT	M	1	1	Details of transport
	0500	SG9	C	99	2	Port of Call / Routing-Port
	0510	39 LOC	M	1	2	Place/location identification
	0560	SG11	M	1	1	NAD-SG12-SG15
	0570	40 NAD	M	1	1	Information about the presenter / the person lodging the declaration
	0600	SG12	C	1	2	CTA-COM
	0610	41 CTA	M	1	2	Contact information
	0620	42 COM	C	9	3	Communication contact
	0740	SG15	C	1	2	RFF
	0750	43 RFF	M	1	2	Language Code
	0560	SG11	C	1	1	NAD-SG15
	0570	44 NAD	D	1	1	Information about the carrier
	0740	SG15	C	1	2	RFF
	0750	47 RFF	M	1	2	Language Code
	0560	SG11	M	1	1	NAD-SG12-SG15
	0570	48 NAD	M	1	1	Information about the shipper/consignor
	0600	SG12	D	1	2	CTA-COM
	0610	49 CTA	M	1	2	Contact information
	0620	50 COM	D	9	3	Communication contact
	0740	SG15	C	1	2	RFF
	0750	51 RFF	M	1	2	Language Code
	0560	SG11	D	1	1	NAD-SG12-SG15
	0570	52 NAD	M	1	1	Information about the consignee
	0600	SG12	D	1	2	CTA-COM
	0610	53 CTA	M	1	2	Contact information
	0620	54 COM	D	9	3	Communication contact
	0740	SG15	C	1	2	RFF
	0750	55 RFF	M	1	2	Language Code
	0560	SG11	D	1	1	NAD-SG12-SG15
	0570	56 NAD	M	1	1	Notify Party

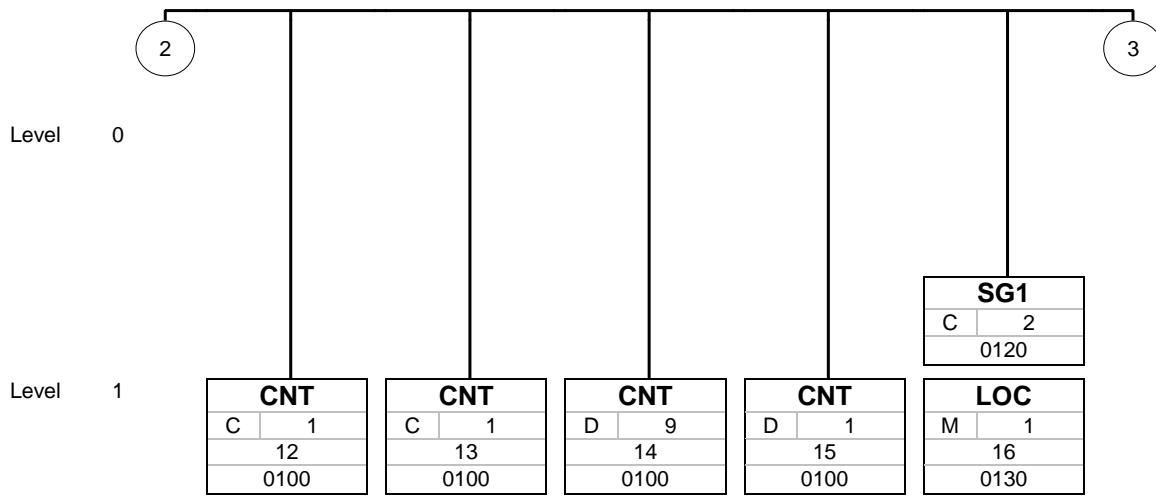
Counte	No	Tag	St	MaxOcc	Level	Content
	0600	SG12	D	1	2	CTA-COM
	0610	57 CTA	M	1	2	Contact information
	0620	58 COM	D	9	3	Communication contact
	0740	SG15	C	1	2	RFF
	0750	59 RFF	M	1	2	Language Code
	0560	SG11	O	1	1	NAD
	0570	60 NAD	M	1	1	Name and address
	0560	SG11	D	1	1	NAD
	0570	61 NAD	M	1	1	Name and address
	0560	SG11	C	1	1	NAD-SG12
	0570	62 NAD	M	1	1	Information about the representative
	0600	SG12	C	1	2	CTA-COM
	0610	63 CTA	M	1	2	Contact information
	0620	64 COM	C	9	3	Communication contact
	0890	SG18	M	999	1	GID-TMP-RNG-LOC-PIA-FTX-FTX-SG20-SG23-SG24-SG27-SG30
	0900	65 GID	M	1	1	Package information
	0920	66 TMP	C	1	2	Temperature
	0930	67 RNG	C	1	2	Range details
	0950	68 LOC	C	9	2	Place/location identification
	0970	69 PIA	D	1	2	Commodity code
	0980	70 FTX	D	1	2	Goods Description
	0980	71 FTX	D	9	2	Customs Status
	1040	SG20	D	1	2	MEA
	1050	72 MEA	M	1	2	Gross Weight (Goods Item Level)
	1130	SG23	D	9	2	PCI
	1140	73 PCI	M	1	2	Marks & Numbers
	1180	SG24	D	99	2	DOC
	1190	74 DOC	M	1	2	Produced Documents / Certificates
	1260	SG27	D	999	2	SGP
	1270	75 SGP	M	1	2	Container Numbers
	1410	SG30	C	5	2	DGS-FTX
	1420	76 DGS	M	1	2	DG Information
	1430	77 FTX	C	1	3	Free text
	1550	SG35	C	999	1	EQD-MEA-DIM-SEL-TPL-FTX-RFF-RFF-SG37
	1560	78 EQD	M	1	1	Container Information
	1590	79 MEA	C	1	2	Measurements
	1600	80 DIM	C	1	2	Dimensions
	1610	81 SEL	C	99	2	Seal IDs
	1620	82 TPL	O	1	2	Transport placement
	1650	83 FTX	C	1	2	Free text
	1660	84 RFF	O	9	2	Reference
	1660	85 RFF	C	9	2	Reference
	1750	SG37	C	1	2	NAD

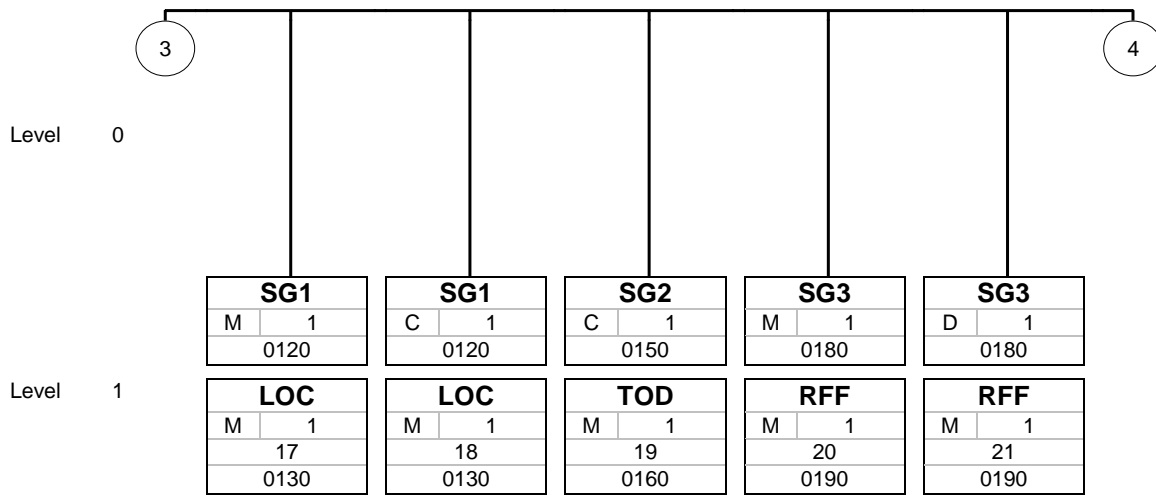
	Counte	No	Tag	St	MaxOcc	Level	Content
┌┐	1760	86	NAD	M	1	2	Name and address
	1870	88	UNT	M	1	0	Message trailer
	0000	89	UNZ	M	1	0	Interchange trailer

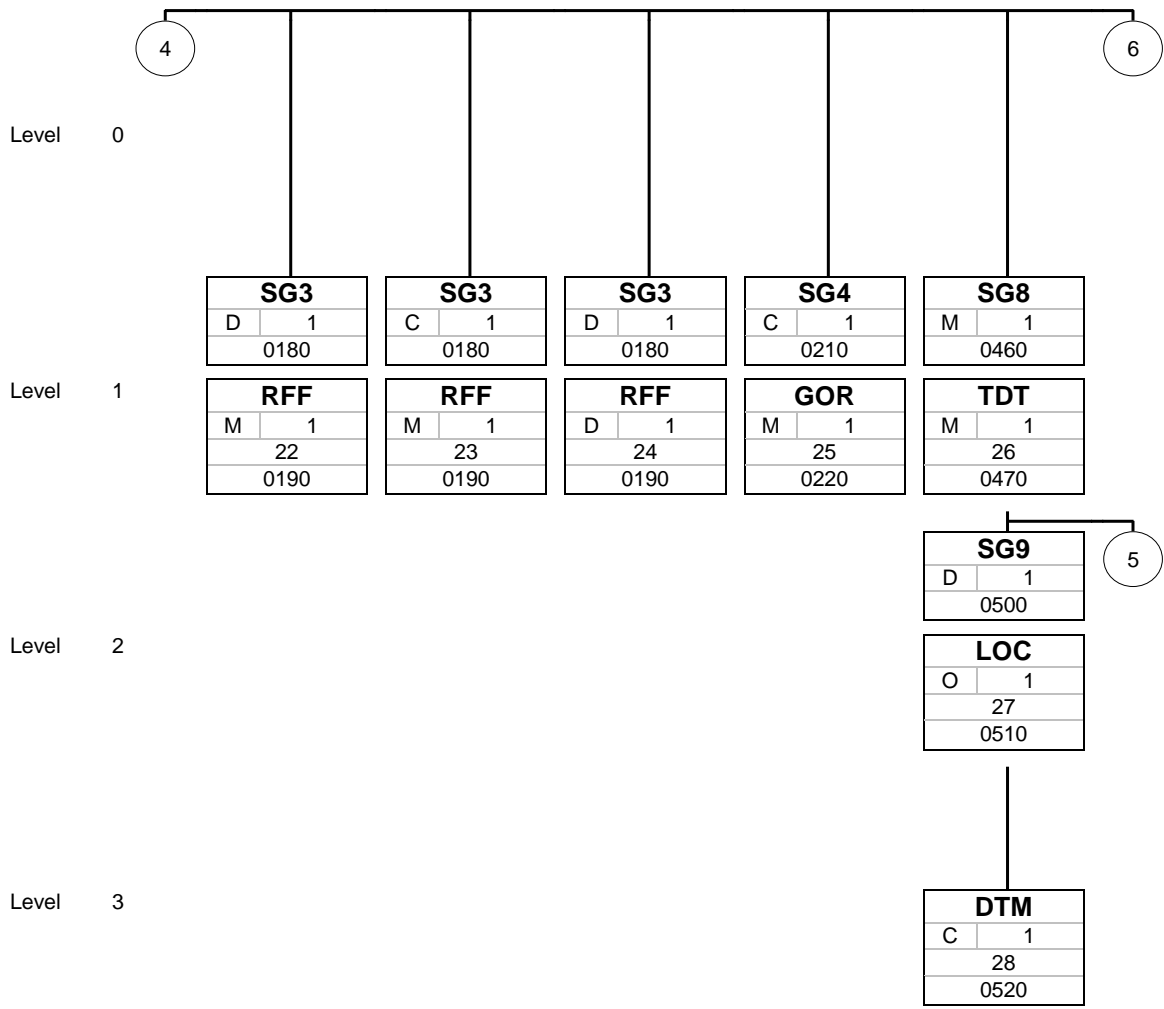
7 Branching Diagram

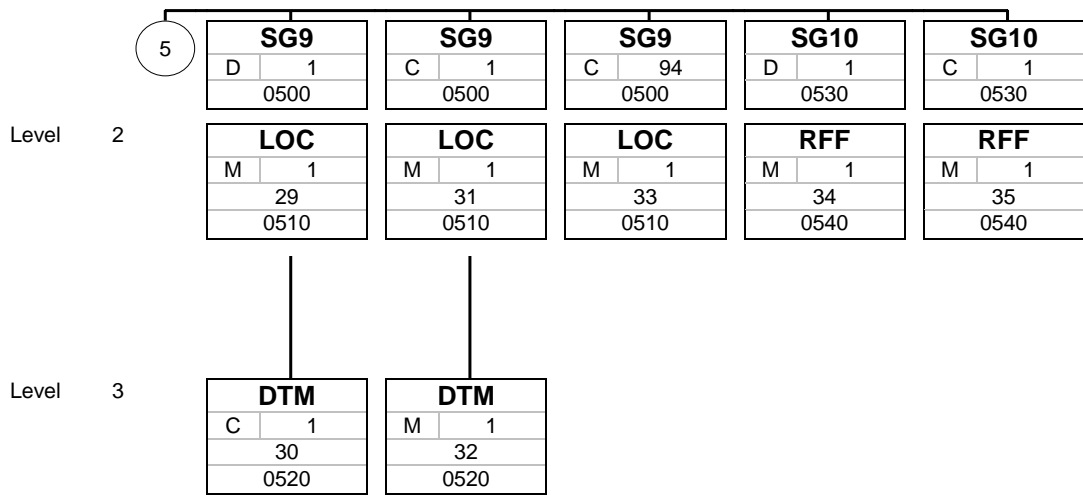


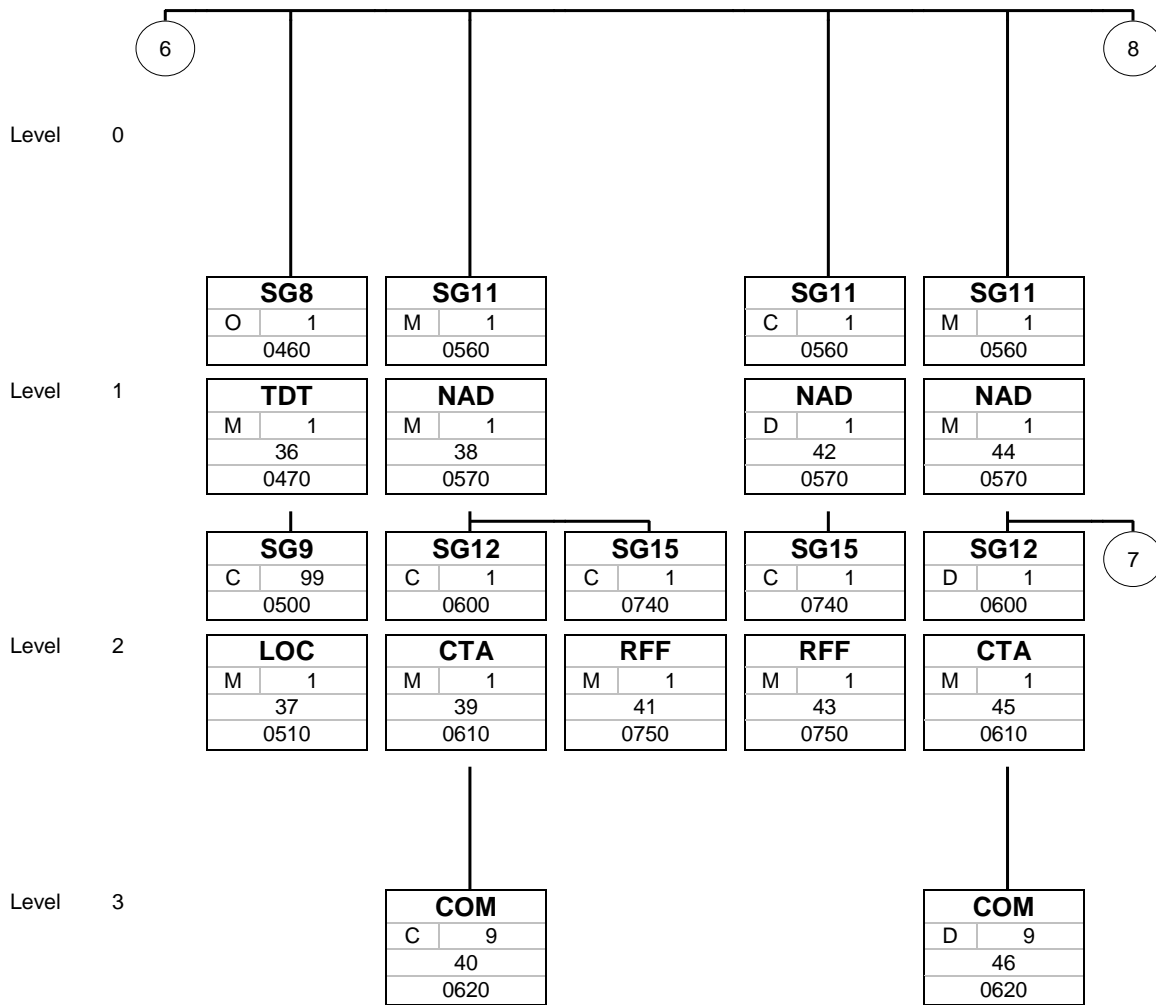


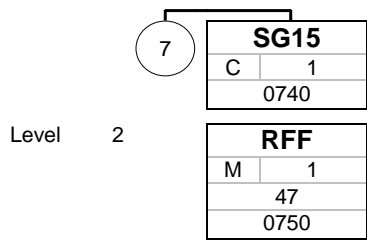


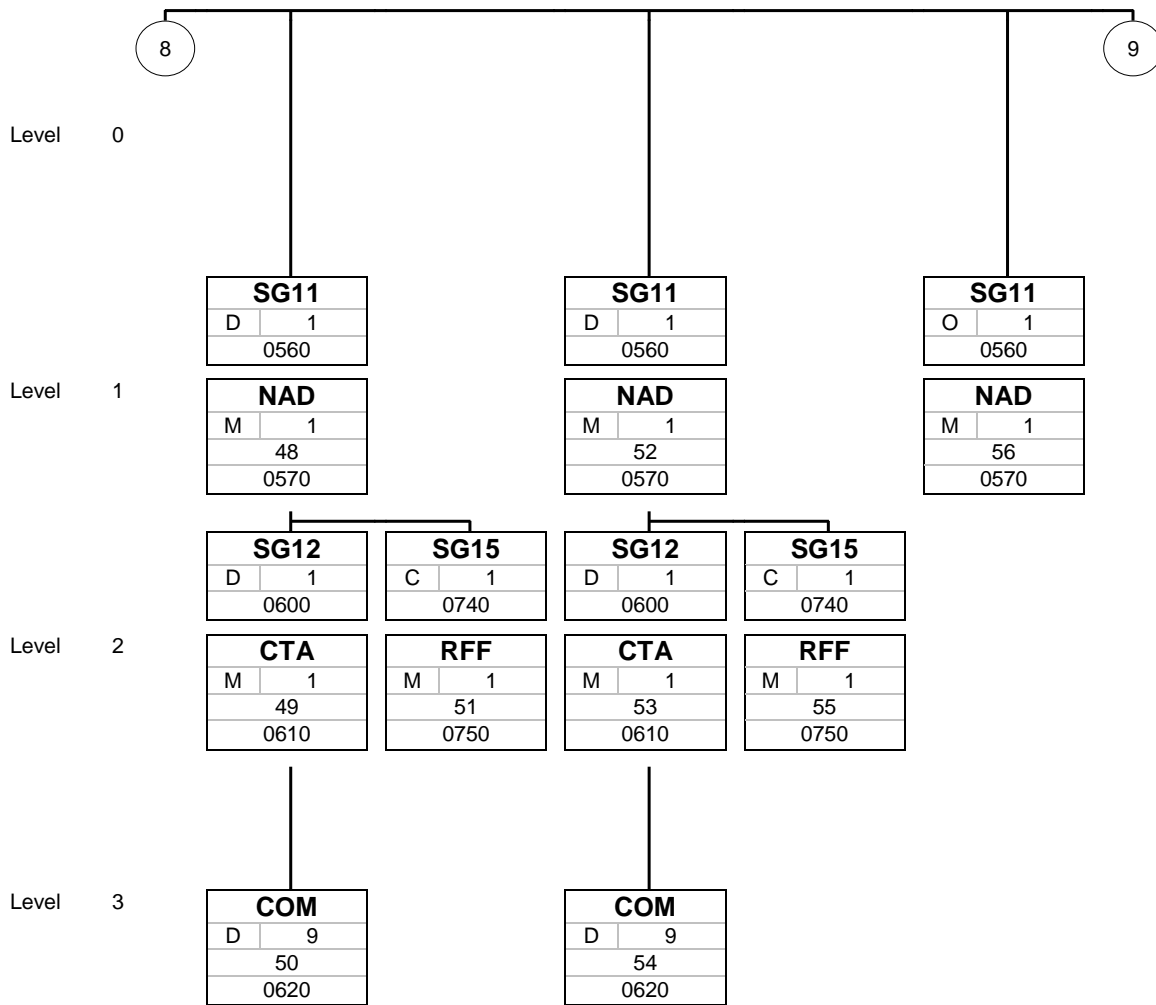


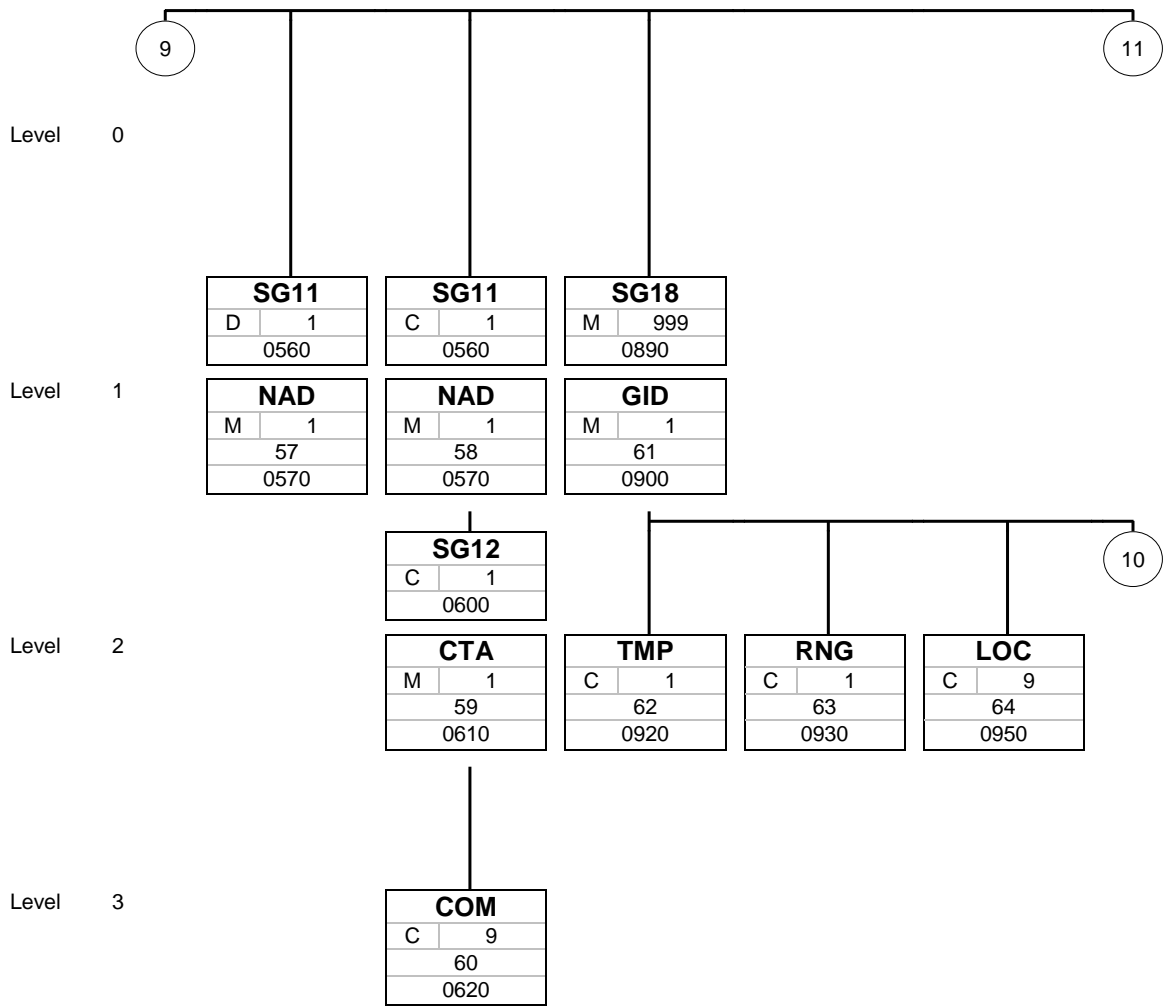


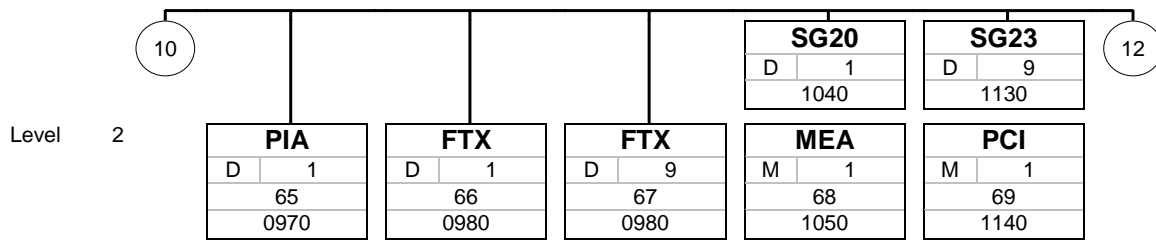


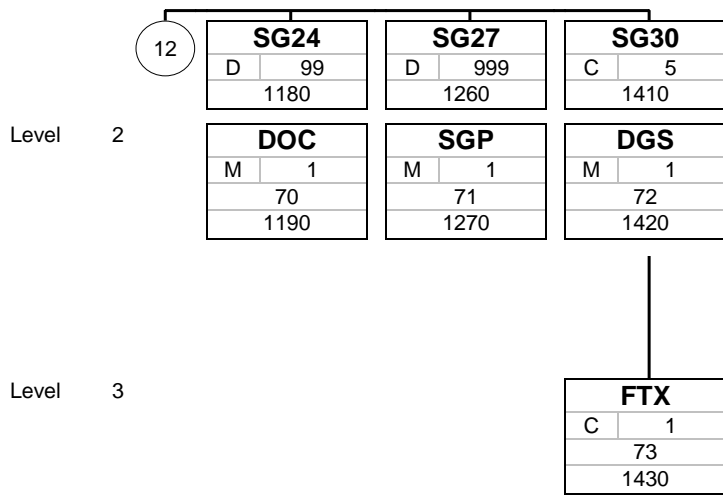


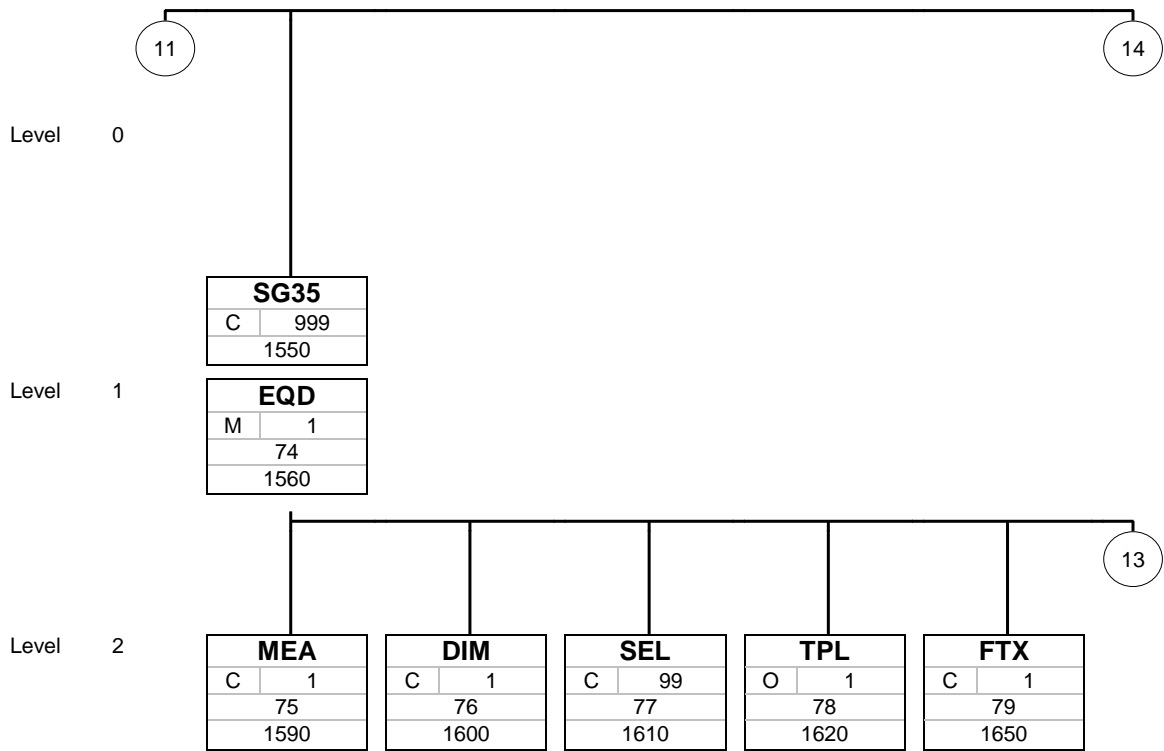


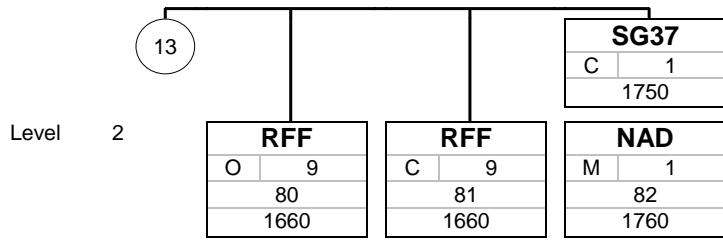


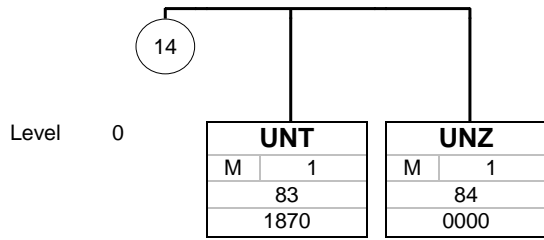












8 Segment Description

Counter	No	Tag	St	MaxOcc	Level	Name
0000	1	UNA (1)	C	1	0	Service string advice

		Standard	Implementation	
Tag	Name	St Format	St Format	Usage / Remark
UNA				
UNA1	Component data element separator	M an1	M an1	
UNA2	Data element separator	M an1	M an1	
UNA3	Decimal notation	M an1	M an1	
UNA4	Release indicator	M an1	M an1	
UNA5	Reserved for future use	M an1	M an1	
UNA6	Segment terminator	M an1	M an1	

Example:

UNA:+. ? ' '

Counter	No	Tag	St	MaxOcc	Level	Name
0000	2	UNB (1)	M	1	0	Interchange header

Standard			Implementation	
Tag	Name	St Format	St Format	Usage / Remark
UNB				
S001	Syntax identifier	M	M	
0001	Syntax identifier	M a4	M a4	
0002	Syntax version number	M n1	M n1	
S002	Interchange sender	M	M	
0004	Sender identification	M an..35	M an..35	Description: DAKOSY Participant Code of the sending party
0007	Partner identification code qualifier	C an..4	N	Not used
0008	Address for reverse routing	C an..14	N	Not used
S003	Interchange recipient	M	M	
0010	Recipient identification	M an..35	M an..35	Description: One of DAKOSY's own participant codes will be used here. The exact code used is to be determined.
0007	Partner identification code qualifier	C an..4	N	Not used
0014	Routing address	C an..14	N	Not used
S004	Date/time of preparation	M	M	
0017	Date of preparation	M n6	M n6	
0019	Time of preparation	M n4	M n4	
0020	Interchange control reference	M an..14	M an..14	Description: Description: A unique reference number identifying this EDIFACT interchange.
S005	Recipient's reference, password	C	N	
0022	Recipient's reference/password	M an..14	N	Not used
0025	Recipient's reference/password qualifier	C an2	N	Not used
0026	Application reference	C an..14	N	Not used
0029	Processing priority code	C a1	N	Not used
0031	Acknowledgement request	C n1	N	Not used
0032	Communications agreement ID	C an..35	N	Not used
0035	Test indicator	C n1	C n1	Description: Description: Test indicator. If this field is submitted and has a value '1', the message will be treated as a test message.

Example:

UNB+UNOC:3+CARR+DAK+140122:1707+20140123100000+++++1'

Counter	No	Tag	St	MaxOcc	Level	Name
0010	3	UNH (1)	M	1	0	Message header

Standard			Implementation	
Tag	Name	St Format	St Format	Usage / Remark
UNH				
0062	Message reference number	M an..14	M an..14	Description: Description: Unique technical reference identifying this EDIFACT message
S009	Message identifier	M	M	
0065	Message type	M an..6	M an..6	
0052	Message version number	M an..3	M an..3	
0054	Message release number	M an..3	M an..3	
0051	Controlling agency	M an..2	M an..2	
0057	Association assigned code	C an..6	C an..6	Description: Used to indicate the specification version used for this message. Format: [ENS IMP][Major][Minor], e.g. ENS10 for version 1.0 when sending data for ICS or IMP10 for version 1.0 when sending data for IMP
0068	Common access reference	C an..35	N	Not used
S010	Status of the transfer	C	N	
0070	Sequence of transfers	M n..2	N	Not used
0073	First and last transfer	C a1	N	Not used

Example:

UNH+20100122171055+IFTMCS:D:00B:UN:ENS10'

Counter	No	Tag	St	MaxOcc	Level	Name
0020	4	BGM (1)	M	1	0	Beginning of message

Standard			Implementation	
Tag	Name	St Format	St Format	Usage / Remark
BGM				
C002	Document/message name	C	M	
1001	Document name code	C an..3	M an..3	Description: Use Code 355 to generate an ICS declaration. Use Code 707 otherwise (for IMP). 707 Bill of lading copy 355 Eingangs-SumA (Entry Summary Declaration)
1131	Code list identification code	C an..17	N	Not used
3055	Code list responsible agency code	C an..3	N	Not used
1000	Document name	C an..35	N	Not used
C106	Document/message identification	C	C	
1004	Document identifier	C an..35	M an..22	Description: For original messages (BGM.1225 = '9') this value is taken as the Local Reference Number (LRN). For amendments, this LRN must be contained in RFF+ACW. Notes on the LRN: Unique reference assigned by the message sender in order to link the message with his inhouse system. The LRN will be sent back in any customs response messages. Definition accd. TAXUD: "The Local Reference Number (LRN)/Diversion LRN/Arrival LRN shall be a number/identifier allocated by the sending TRADER for a specific transaction (ENS, Arrival notification). It shall be unique per Trader sending the transaction." Note: For ENS to UK, RO and LV, DAKOSY will translate the sender's LRN to a certain format required by these countries' customs agencies. This means that the LRN specifier here is not known to the customs agencies in these countries.
1056	Version identifier	C an..9	N	Not used
1060	Revision identifier	C an..6	N	Not used
1225	Message function code	C an..3	M an..3	1 Löschung / Delete 2 Ergänzung / Addition after ATD 5 Replace / Update 9 Original Description: Description: For Japan applies: The Codes 1 and 2 are only used for the advance filing Japan
4343	Response type code	C an..3	N	Not used

Example:

BGM+355+201001221234+9'

Counter	No	Tag	St	MaxOcc	Level	Name
0050	5	DTM (1)	M	9	1	Message Creation Date

Standard			Implementation	
Tag	Name	St Format	St Format	Usage / Remark
DTM				
C507	Date/time/period	M	M	
2005	Date or time or period function code qualifier	M an..3	M an..3	137 Document/message date/time
2380	Date or time or period value	C an..35	M an..35	Description: Message creation date Field in ICS: Declaration Date and Time
2379	Date or time or period format code	C an..3	C an..3	203 CCYYMMDDHHMM

Example:

DTM+137:201403051200:203'

Counter	No	Tag	St	MaxOcc	Level	Name
0060	6	TSR (1)	C	1	1	Transport service requirements

Standard			Implementation	
Tag	Name	St Format	St Format	Usage / Remark
TSR				
C536	Contract and carriage condition	C	M	
4065	Contract and carriage condition code	M an..3	M an..3	27 Door-to-door 28 Door-to-pier 29 Pier-to-door 30 Pier-to-pier
1131	Code list identification code	C an..17	N	Not used
3055	Code list responsible agency code	C an..3	N	Not used
C233	Service	C	M	
7273	Service requirement code	M an..3	M an..3	2 Full loads 3 Less than full loads
1131	Code list identification code	C an..17	N	Not used
3055	Code list responsible agency code	C an..3	N	Not used
7273	Service requirement code	C an..3	N	Not used
1131	Code list identification code	C an..17	N	Not used
3055	Code list responsible agency code	C an..3	N	Not used
C537	Transport priority	C	N	
4219	Transport service priority code	M an..3	N	Not used
1131	Code list identification code	C an..17	N	Not used
3055	Code list responsible agency code	C an..3	N	Not used
C703	Nature of cargo	C	N	
7085	Cargo type classification code	M an..3	N	Not used
1131	Code list identification code	C an..17	N	Not used
3055	Code list responsible agency code	C an..3	N	Not used

Example:

'TSR+27+2'

Counter	No	Tag	St	MaxOcc	Level	Name
0070	7	CUX (1)	C	1	1	Currencies

		Standard	Implementation		
Tag	Name	St Format	St Format	Usage / Remark	
CUX					
C504	Currency details	C	M		
6347	Currency usage code qualifier	M an..3	M an..3	2 Reference currency	
6345	Currency identification code	C an..3	M an..3		
6343	Currency type code qualifier	C an..3	N	Not used	
6348	Currency rate value	C n..4	N	Not used	
C504					
C504	Currency details	C	M		
6347	Currency usage code qualifier	M an..3	M an..3	3 Target currency	
6345	Currency identification code	C an..3	M an..3		
6343	Currency type code qualifier	C an..3	N	Not used	
6348	Currency rate value	C n..4	N	Not used	
5402	Currency exchange rate	C n..12	C n..12	Description: Format: 99.99999999	
6341	Exchange rate currency market identifier	C an..3	N	Not used	

Example:

CUX+2 : ADP+3 : EUR+3 '

Counter	No	Tag	St	MaxOcc	Level	Name
0080	8	MOA (1)	C	3	1	Monetary amount

Standard			Implementation	
Tag	Name	St Format	St Format	Usage / Remark
MOA				
C516	Monetary amount	M	M	
5025	Monetary amount type code qualifier	M an..3	M an..3	39 Invoice total amount 40 Customs value 157 Insurance value
5004	Monetary amount	C n..35	C n..10	
6345	Currency identification code	C an..3	C an..3	
6343	Currency type code qualifier	C an..3	N	Not used
4405	Status description code	C an..3	N	Not used

Example:

MOA+39:9:ADP'

Counter	No	Tag	St	MaxOcc	Level	Name
0090	9	FTX (1)	D	1	1	Information for the deletion of a B/L declaration

		Standard	Implementation		
Tag	Name	St Format	St Format	Usage / Remark	
FTX					
4451	Text subject code qualifier	M an..3	M an..3	AES Reason for amending a message	
4453	Free text function code	C an..3	R an..3	1 Cancellation of loading 3 Change of B/L number 4 Misregistration 5 Other reasons	
C107	Text reference	C	N		
4441	Free text value code	M an..17	N	Not used	
1131	Code list identification code	C an..17	N	Not used	
3055	Code list responsible agency code	C an..3	N	Not used	
C108	Text literal	C	C		
4440	Free text value	M an..512	R an..210	If C4453 = 5 (other reasons), this field must be used.	
4440	Free text value	C an..512	N	Not used	
4440	Free text value	C an..512	N	Not used	
4440	Free text value	C an..512	N	Not used	
4440	Free text value	C an..512	N	Not used	
3453	Language name code	C an..3	N	Not used	
4447	Free text format code	C an..3	N	Not used	

If BGM/C1225 = 1 (delete, the specification of this segment is mandatory for declarations in Japan. This segment is only used in case of declarations in Japan.

This segment is used to transmit further information regarding the deletion of a B/L declaration. This field is only used in case of declarations in Japan.

Example:

FTX+AES+1++X'

Counter	No	Tag	St	MaxOcc	Level	Name
0090	10	FTX (2)	D	1	1	Abnormal Cargo Code

		Standard	Implementation	
Tag	Name	St Format	St Format	Usage / Remark
FTX				
4451	Text subject code qualifier	M an..3	R an..3	ANC abnormal Cargo Code
4453	Free text function code	C an..3	R an..3	AOG Aircraft parts, etc. (urgent) BIG Change of B/L number Oversized cargo DGR Hazardous materials MAG Hazardous properties of dangerous goods Class 9 Other (magnetic material) <i>Remark: It is only an extract of the official list of codes, the original list will be provided seperately</i>
C107	Text reference	C	N	
4441	Free text value code	M an..17	N	Not used
1131	Code list identification code	C an..17	N	Not used
3055	Code list responsible agency code	C an..3	N	Not used
C108	Text literal	C	N	
4440	Free text value	M an..512	N	Not used
4440	Free text value	C an..512	N	Not used
4440	Free text value	C an..512	N	Not used
4440	Free text value	C an..512	N	Not used
4440	Free text value	C an..512	N	Not used
3453	Language name code	C an..3	N	Not used
4447	Free text format code	C an..3	N	Not used

This segment is only used in case of declarations in Japan.

This segment is used to transmit further information regarding to abnormal Cargo to the Japanese custom.

Example:

FTX+ANC+DGR'

Counter	No	Tag	St	MaxOcc	Level	Name
0100	11	CNT (1)	M	1	1	Total Gross Weight

Standard			Implementation	
Tag	Name	St Format	St Format	Usage / Remark
CNT				
C270	Control	M	M	
6069	Control total type code qualifier	M an..3	M an..3	7 Total gross weight <i>Description:</i> The total gross weight should be equal to the sum of the gross weights of all goods items (i.e. the sum of all GID/MEA+AAE+G values)
6066	Control total value	M n..18	M an..11	<i>Field in ICS:</i> Total Gross Weight <i>Description:</i> Total Gross Weight of this shipment. Format: Max 11 digits, incl. up to 3 fractional digits.
6411	Measurement unit code	C an..3	M an..3	KGM kilogram

Example:

CNT+7 : 9 : KGM'

Counter	No	Tag	St	MaxOcc	Level	Name
0100	12	CNT (2)	C	1	1	Control total

Standard			Implementation	
Tag	Name	St Format	St Format	Usage / Remark
CNT				
C270	Control	M	M	
6069	Control total type code qualifier	M an..3	M an..3	16 Total number of equipment
6066	Control total value	M n..18	M n..18	
6411	Measurement unit code	C an..3	N	Not used

Example:
CNT+16:9'

Counter	No	Tag	St	MaxOcc	Level	Name
0100	13	CNT (3)	C	1	1	Number of Positions

Standard			Implementation	
Tag	Name	St Format	St Format	Usage / Remark
CNT				
C270	Control	M	M	
6069	Control total type code qualifier	M an..3	M an..3	2 Number of line items in message
6066	Control total value	M n..18	M n..18	Field in ICS: Total Number of Items Description: Each occurrence of segment group GID counts as a position
6411	Measurement unit code	C an..3	N	Not used

Example:

CNT+2:9'

Counter	No	Tag	St	MaxOcc	Level	Name
0100	14	CNT (4)	D	9	1	Total Number of Packages

Standard			Implementation	
Tag	Name	St Format	St Format	Usage / Remark
CNT				
C270	Control	M	M	
6069	Control total type code qualifier	M an..3	M an..3	11 Total number of packages
6066	Control total value	M n..18	M an..7	Description: Not used for ENS to German customs, but mandatory in all other countries.
6411	Measurement unit code	C an..3	N	Not used

Example:
CNT+11:9'

Counter	No	Tag	St	MaxOcc	Level	Name
0100	15	CNT (5)	D	1	1	Total Volume

For Japan applies:
This field is mandatory.

		Standard	Implementation	
Tag	Name	St Format	St Format	Usage / Remark
CNT				
C270	Control	M	M	
6069	Control total type code qualifier	M an..3	M an..3	15 Total consignment, cube
6066	Control total value	M n..18	M n..10	<i>Description:</i> Only used for advance filing Japan
6411	Measurement unit code	C an..3	M an..3	MTQ cubic metre FTQ cubic foot

Example:

CNT+15:123:MTQ'

Counter	No	Tag	St	MaxOcc	Level	Name
0120		SG1 (1)	C	2	1	LOC
0130	16	LOC (1)	M	1	1	Place/location identification

Standard			Implementation	
Tag	Name	St Format	St Format	Usage / Remark
LOC				
3227	Location function code qualifier	M an..3	M an..3	88 Place of receipt 7 Place of delivery
C517	Location identification	C	M	
3225	Location name code	C an..25	C a..5	<i>Description:</i> UNLoCode of the place of receipt resp. place of delivery
1131	Code list identification code	C an..17	N	Not used
3055	Code list responsible agency code	C an..3	N	Not used
3224	Location name	C an..256	M an..35	<i>Description:</i> Name (free text) of the place of delivery/receipt
C519	Related location one identification	C	N	
3223	First related location name code	C an..25	N	Not used
1131	Code list identification code	C an..17	N	Not used
3055	Code list responsible agency code	C an..3	N	Not used
3222	First related location name	C an..70	N	Not used
C553	Related location two identification	C	N	
3233	Second related location name code	C an..25	N	Not used
1131	Code list identification code	C an..17	N	Not used
3055	Code list responsible agency code	C an..3	N	Not used
3232	Second related location name	C an..70	N	Not used
5479	Relation code	C an..3	N	Not used

Example:

LOC+88+CNSHN : : : SHENZEN '

Counter	No	Tag	St	MaxOcc	Level	Name
0120		SG1 (2)	M	1	1	LOC
0130	17	LOC (1)	M	1	1	Place of B/L issue (Location of Declaration/Amendment)

Standard			Implementation	
Tag	Name	St Format	St Format	Usage / Remark
LOC				
3227	Location function code qualifier	M an..3	M an..3	91 Place of document issue
C517	Location identification	C	M	
3225	Location name code	C an..25	C a..5	
1131	Code list identification code	C an..17	O n..1	Description: Only to be used in case of declarations in Japan. Valid values: 1-9.
3055	Code list responsible agency code	C an..3	N	Not used
3224	Location name	C an..256	M an..35	Field in ICS: Location of Amendment / Location of Declaration Description: Place of B/L Issue
C519	Related location one identification	C	N	
3223	First related location name code	C an..25	N	Not used
1131	Code list identification code	C an..17	N	Not used
3055	Code list responsible agency code	C an..3	N	Not used
3222	First related location name	C an..70	N	Not used
C553	Related location two identification	C	N	
3233	Second related location name code	C an..25	N	Not used
1131	Code list identification code	C an..17	N	Not used
3055	Code list responsible agency code	C an..3	N	Not used
3232	Second related location name	C an..70	N	Not used
5479	Relation code	C an..3	N	Not used

Example:

LOC+91+CNHKG:::HONGKONG'

Counter	No	Tag	St	MaxOcc	Level	Name
0120		SG1 (3)	C	1	1	LOC
0130	18	LOC (1)	M	1	1	Customs Office of Lodgement

Customs Office of Lodgement - This should be sent *only* if different from the customs office of first entry.
 Note: Not all EU countries support the "Customs Office Of Lodgement" functionality.

Standard			Implementation	
Tag	Name	St Format	St Format	Usage / Remark
LOC				
3227	Location function code qualifier	M an..3	M an..3	96 Place of lodgement of documents
C517	Location identification	C	C	
3225	Location name code	C an..25	M an8	<i>Description:</i> Instead of a customs office reference number, one might send an UNLoCode here. DAKOSY will then map the code to the appropriate number. Please contact DAKOSY if you wish to use this mapping functionality. Format UNLoCode: a5 Format Customs Office: an8 List of customs office codes available at: http://ec.europa.eu/taxation_customs/dds/csr/home_en.htm Note: DAKOSY supports only a 1:1 mapping LoCode->CustomsOffice. However, for a number of ports within the EU there are several customs office codes. Therefore, a customer should always consider that the possibility to send customs office codes might be needed even if a UNLoCode is sent usually.
1131	Code list identification code	C an..17	N	Not used
3055	Code list responsible agency code	C an..3	N	Not used
3224	Location name	C an..256	N	Not used
C519	Related location one identification	C	N	
3223	First related location name code	C an..25	N	Not used
1131	Code list identification code	C an..17	N	Not used
3055	Code list responsible agency code	C an..3	N	Not used
3222	First related location name	C an..70	N	Not used
C553	Related location two identification	C	N	
3233	Second related location name code	C an..25	N	Not used
1131	Code list identification code	C an..17	N	Not used
3055	Code list responsible agency code	C an..3	N	Not used
3232	Second related location name	C an..70	N	Not used
5479	Relation code	C an..3	N	Not used

Example:

LOC+96+DE001234'

Counter	No	Tag	St	MaxOcc	Level	Name
0150		SG2 (1)	C	1	1	TOD
0160	19	TOD (1)	M	1	1	Method of payment

Standard			Implementation	
Tag	Name	St Format	St Format	Usage / Remark
TOD				
4055	Delivery or transport terms function code	C an..3	N	Not used
4215	Transport charges payment method code	C an..3	M an..3	Field in ICS: Means of Payment A Barzahlung / Cash B Kreditkarte / Credit Card C Zahlung mit Scheck / Check D Andere / Other H Elektronischer Geldtransfer / electronic remittance Y Kontoinhaber entspricht Beförderer / Carrier is account holder Z nicht vorausgezahlt / not prepaid
C100	Terms of delivery or transport	C	N	
4053	Delivery or transport terms description code	C an..3	N	Not used
1131	Code list identification code	C an..17	N	Not used
3055	Code list responsible agency code	C an..3	N	Not used
4052	Delivery or transport terms description	C an..70	N	Not used
4052	Delivery or transport terms description	C an..70	N	Not used

Example:

TOD++Z'

Counter	No	Tag	St	MaxOcc	Level	Name
0180		SG3 (1)	M	1	1	RFF
0190	20	RFF (1)	M	1	1	B/L Number (Commercial Reference Number)

Standard			Implementation	
Tag	Name	St Format	St Format	Usage / Remark
RFF				
C506	Reference	M	M	
1153	Reference code qualifier	M an..3	M an..3	BM Bill of lading number
1154	Reference identifier	C an..70	M an..35	Description: B/L Number, sent to customs as "CommercialReferenceNumber". Mandatory, if the Specific Circumstance Indicator (Segment RFF+SC) is not set to value "A". ## Field in ICS: Commercial Reference Number
1156	Document line identifier	C an..6	C an..1	Only to be used in case of declarations in Japan. Valid value: M
4000	Reference version identifier	C an..35	N	Not used
1060	Revision identifier	C an..6	N	Not used

Example:

RFF+BM:HJSC1234740:X'

Counter	No	Tag	St	MaxOcc	Level	Name
---------	----	-----	----	--------	-------	------

0180 **SG3** (2) D 1 1 **RFF**

This segment/segment group is used when sending IFTMCS to Portbase

0190 21 **RFF** (1) M 1 1 **Reference**

		Standard	Implementation	
Tag	Name	St Format	St Format	Usage / Remark
RFF				
C506	Reference	M	M	
1153	Reference code qualifier	M an..3	M an..3	ANJ Authorization number
1154	Reference identifier	C an..70	M an..17	
1156	Document line identifier	C an..6	N	Not used
4000	Reference version identifier	C an..35	N	Not used
1060	Revision identifier	C an..6	N	Not used

Example:

RFF+ANJ:X'

Counter	No	Tag	St	MaxOcc	Level	Name
0180		SG3 (3)	D	1	1	RFF
Mandatory for Updates (BGM.1225 = 5)						
0190	22	RFF (1)	M	1	1	Reference / Local Reference Number of original declaration

		Standard	Implementation	
Tag	Name	St Format	St Format	Usage / Remark
RFF				
C506	Reference	M	M	
1153	Reference code qualifier	M an..3	M an..3	ACW Reference number to previous message
1154	Reference identifier	C an..70	M an..35	Description: When sending updates (BGM.1225 = '9'), this element must contain the LRN. Note: This is the value of element BGM.1004 of the *original* message. I.e. if the original ENS had a value of '0815' in element BGM.1004, *every* amendment must carry value '0815' in it's RFF+ACW segment.
1156	Document line identifier	C an..6	N	Not used
4000	Reference version identifier	C an..35	N	Not used
1060	Revision identifier	C an..6	N	Not used

Example:

RFF+ACW:123456'

Counter	No	Tag	St	MaxOcc	Level	Name
0180		SG3 (4)	D	1	1	RFF
0190	23	RFF (1)	M	1	1	MRN of ENS declaration

Standard			Implementation	
Tag	Name	St Format	St Format	Usage / Remark
RFF				
C506	Reference	M	M	
1153	Reference code qualifier	M an..3	M an..3	Description: Qualifier MRN, despite having a different meaning in UN/EDIFACT, is used for designation of the MRN number within the IFTMCS. Submission of the MRN number from an existing Entry Summary Declaration is mandatory if the IFTMCS updates that declaration. MRN Mailing reference number
1154	Reference identifier	C an..70	C an18	Field in ICS: MRN ICS remarks: Mandatory for updates Description: When sending updates for an entry summary declaration or sending an IFTMCS meant to be used for the summary declaration of temporary storage in IMP, this field has to be filled in with the MRN number from the original entry summary declaration
1156	Document line identifier	C an..6	N	Not used
4000	Reference version identifier	C an..35	N	Not used
1060	Revision identifier	C an..6	N	Not used

Example:

RFF+MRN:08DE32101234567898'

Counter	No	Tag	St	MaxOcc	Level	Name
0180		SG3 (5)	C	1	1	RFF
0190	24	RFF (1)	M	1	1	Special Circumstance Indicator

Standard			Implementation	
Tag	Name	St Format	St Format	Usage / Remark
RFF				
C506	Reference	M	M	
1153	Reference code qualifier	M an..3	M an..3	SC
1154	Reference identifier	C an..70	C an..70	Description: This field is used to indicate special circumstances which might have influence on the data elements that have to be reported or the way that the declaration is treated at customs. An example would be the indication that all the parties mentioned in the declarations have AEO (Authorised Economic Operator) Status. A Post- oder Express Sendung / Postal and express consignments, ship and aircraft supplies C Straßentransport / Road mode of transport D Bahntransport / Rail mode of transport E Zugelassene Wirtschaftsbeteiligte / Authorised economic operators
1156	Document line identifier	C an..6	N	Not used
4000	Reference version identifier	C an..35	N	Not used
1060	Revision identifier	C an..6	N	Not used

Example:
RFF+SC:E'

Counter	No	Tag	St	MaxOcc	Level	Name
---------	----	-----	----	--------	-------	------

0180		SG3 (6)	D	1	1	RFF
------	--	------------------	---	---	---	-----

This segment is only used in case of declarations in Japan.

0190	25	RFF (1)	D	1	1	Voyage number
------	----	------------------	---	---	---	---------------

		Standard	Implementation	
Tag	Name	St Format	St Format	Usage / Remark
RFF				
C506	Reference	M	M	
1153	Reference code qualifier	M an..3	M an..3	VON Voyage number
1154	Reference identifier	C an..70	C an..10	
1156	Document line identifier	C an..6	N	Not used
4000	Reference version identifier	C an..35	N	Not used
1060	Revision identifier	C an..6	N	Not used

Example:

RFF+VON:E4712'

Counter	No	Tag	St	MaxOcc	Level	Name
---------	----	-----	----	--------	-------	------

0210 **SG4 (1)** C 1 1 **GOR**

This segment/segment group is used when sending IFTMCS to Portbase

0220 26 **GOR (1)** M 1 1 **Governmental requirements**

Standard			Implementation	
Tag	Name	St Format	St Format	Usage / Remark
GOR				
8323	Transport movement code	C an..3	C an..3	
C232	Government action	C	O	
9415	Government agency identification code	C an..3	N	Not used
9411	Government involvement code	C an..3	N	Not used
9417	Government action code	C an..3	N	Not used
9353	Government procedure code	C an..3	O an..3	C Goods transported as EU Community goods T EU Customs procedure T (goods transported under T1 and/or T2 Transit documentation) T1 EU Customs procedure T1 (goods transported under T1 Transit documentation) T2 EU Customs procedure T2 (goods transported under T2 Transit documentation)
C232	Government action	C	D	
9415	Government agency identification code	C an..3	N	Not used
9411	Government involvement code	C an..3	N	Not used
9417	Government action code	C an..3	N	Not used
9353	Government procedure code	C an..3	M an..3	27 Sea In / Sea Out
C232	Government action	C	N	
9415	Government agency identification code	C an..3	N	Not used
9411	Government involvement code	C an..3	N	Not used
9417	Government action code	C an..3	N	Not used
9353	Government procedure code	C an..3	N	Not used
C232	Government action	C	N	
9415	Government agency identification code	C an..3	N	Not used
9411	Government involvement code	C an..3	N	Not used
9417	Government action code	C an..3	N	Not used
9353	Government procedure code	C an..3	N	Not used

Example:

GOR+1+:::C+:::27'

Counter	No	Tag	St	MaxOcc	Level	Name
0460		SG8 (1)	M	1	1	TDT-SG9-SG10
0470	27	TDT (1)	M	1	1	Vessel Information

Standard			Implementation	
Tag	Name	St Format	St Format	Usage / Remark
TDT				
8051	Transport stage code qualifier	M an..3	M an..3	20 Main-carriage transport
8028	Means of transport journey identifier	C an..17	C an..17	Field in ICS: Conveyance reference number ICS remarks: Only required for Airfreight ENS declarations to German customs? Marked as 'optional' in MASP docs. Description: Description: For Japan applies: This field is mandatory.
C220	Mode of transport	C	D	
8067	Transport mode name code	C an..3	M an..3	Field in ICS: Mode of transport at frontier ICS remarks: Can be a mandatory field (depending on other contents of the (entry) summary declaration) 1 Maritime transport
8066	Transport mode name	C an..17	N	Not used
C228	Transport means	C	C	
8179	Transport means description code	C an..8	C an..8	11 Ship
8178	Transport means description	C an..17	N	Not used
C040	Carrier	C	C	
3127	Carrier identifier	C an..17	C an..17	
1131	Code list identification code	C an..17	C an..17	
3055	Code list responsible agency code	C an..3	C an..3	
3128	Carrier name	C an..35	C an..35	
8101	Transit direction indicator code	C an..3	N	Not used
C401	Excess transportation information	C	N	
8457	Excess transportation reason code	M an..3	M an..3	
8459	Excess transportation responsibility code	M an..3	N	Not used
7130	Customer shipment authorisation identifier	C an..17	N	Not used
C222	Transport identification	C	M	
8213	Transport means identification name identifier	C an..9	M an..9	Description: IMO Number Field in ICS: Identity of means of transport crossing border ICS remarks: Accd. to German customs, mandatory for sea freight Description: For Japan applies: Specification of the call sign
1131	Code list identification code	C an..17	N	Not used
3055	Code list responsible agency code	C an..3	N	Not used

8212	Transport means identification name	C an..35	C an..35	<p>Description: The vessel name will be sent for ENS to Dutch customs. If no vessel name is provided, the IMO number from data element 8213 will be submitted as vessel name.</p> <p>Description: For Japan applies: This field is mandatory.</p> <p>Description: For Japan applies:</p>
------	-------------------------------------	----------	----------	---

		Standard	Implementation	
Tag	Name	St Format	St Format	Usage / Remark
8453	Transport means nationality code	C an..3	C an..3	This field is mandatory. To be specified in format an..2
8281	Transport means ownership indicator code	C an..3	N	Not used

Example:

TDT+20+ABCD0021W+1+11+CARR:::CARRIER+++9999999:::CARRIERS VESSEL:AD'

Counter	No	Tag	St	MaxOcc	Level	Name
0500		SG9 (1)	D	1	2	Information about the PoD
0510	28	LOC (1)	O	1	2	Only to be used in case of declarations in Japan. Valid values: 1-9.

Standard			Implementation	
Tag	Name	St Format	St Format	Usage / Remark
LOC				
3227	Location function code qualifier	M an..3	M an..3	11 Place/port of discharge
C517	Location identification	C	C	
3225	Location name code	C an..25	D a..5	Description: Location code of port of discharge. Mandatory when sending Entry Summary Declarations to Dutch customs.
1131	Code list identification code	C an..17	C an..1	Only to be used in case of declarations in Japan. Valid values: 1-9.
3055	Code list responsible agency code	C an..3	N	Not used
3224	Location name	C an..256	O an..33	Field in ICS: Place of unloading Description: Name of port of discharge
C519	Related location one identification	C	C	
3223	First related location name code	C an..25	C an..25	Description: Code of berth at discharge location
1131	Code list identification code	C an..17	N	Not used
3055	Code list responsible agency code	C an..3	N	Not used
3222	First related location name	C an..70	C an..35	Description: Name of the berth at the port of discharge
C553	Related location two identification	C	C	
3233	Second related location name code	C an..25	D a2	Description: Country Code of Port of Discharge. This will be sent to customs as the last country of the itinerary and is mandatory if the special circumstance indicator (segment RFF+SC) is not set to A.
1131	Code list identification code	C an..17	N	Not used
3055	Code list responsible agency code	C an..3	N	Not used
3232	Second related location name	C an..70	N	Not used
5479	Relation code	C an..3	N	Not used

Example:

LOC+11+DEHAM:::HAMBURG+CTA:::ALTENWERDER+DE'

Counter	No	Tag	St	MaxOcc	Level	Name
0500		SG9 (1)	D	1	2	Information about the PoD
0520	29	DTM (1)	C	1	3	Date/time/period

Standard			Implementation	
Tag	Name	St Format	St Format	Usage / Remark
DTM				
C507	Date/time/period	M	M	
2005	Date or time or period function code qualifier	M an..3	M an..3	132 Arrival date/time, estimated
2380	Date or time or period value	C an..35	M an..35	Description: ETA Place of Discharge
2379	Date or time or period format code	C an..3	M an..3	102 CCYYMMDD

Example:

DTM+132:20140125:102'

Counter	No	Tag	St	MaxOcc	Level	Name
0500		SG9 (2)	D	1	2	Information about the PoL
Dependent - must be sent, if the SpecificCircumstanceIndicator (segment RFF+SC) is not set to 'A'						
0510	30	LOC (1)	M	1	2	Place/location identification

Standard			Implementation	
Tag	Name	St Format	St Format	Usage / Remark
LOC				
3227	Location function code qualifier	M an..3	M an..3	9 Place/port of loading
C517	Location identification	C	M	
3225	Location name code	C an..25	D a..5	Description: Location code of port of loading. Mandatory when sending Entry Summary Declarations to Dutch customs.
1131	Code list identification code	C an..17	C an..1	Only to be used in case of declarations in Japan. Valid values: 1-9.
3055	Code list responsible agency code	C an..3	N	Not used
3224	Location name	C an..256	O an..33	Description: Name of port of loading. Mandatory if the ENS is not sent to Dutch customs.
C519	Related location one identification	C	N	
3223	First related location name code	C an..25	N	Not used
1131	Code list identification code	C an..17	N	Not used
3055	Code list responsible agency code	C an..3	N	Not used
3222	First related location name	C an..70	N	Not used
C553	Related location two identification	C	C	
3233	Second related location name code	C an..25	M a2	Description: Country Code of Port of Loading. This code will be sent to customs as the first country of the itinerary.
1131	Code list identification code	C an..17	N	Not used
3055	Code list responsible agency code	C an..3	N	Not used
3232	Second related location name	C an..70	N	Not used
5479	Relation code	C an..3	N	Not used

Example:

LOC+9+CNHKG:::HONG KONG+CN'

Counter	No	Tag	St	MaxOcc	Level	Name
---------	----	-----	----	--------	-------	------

0500 **SG9** (2) D 1 2 **Information about the PoL**

Dependent - must be sent, if the SpecificCircumstanceIndicator (segment RFF+SC) is not set to 'A'

0520 31 **DTM** (1) C 1 3 **Date/time/period**

For Japan applies:
This field is mandatory.

		Standard	Implementation	
Tag	Name	St Format	St Format	Usage / Remark
DTM				
C507	Date/time/period	M	M	
2005	Date or time or period function code qualifier	M an..3	M an..3	133 Departure date/time, estimated
2380	Date or time or period value	C an..35	D an..35	Description: For Japan applies: This field is mandatory. ETD Port of Loading
2379	Date or time or period format code	C an..3	C an..3	205 CCYYMMDDHHMMZHHMM

Example:

DTM+133:201405311520Z0100:205'

Counter	No	Tag	St	MaxOcc	Level	Name
---------	----	-----	----	--------	-------	------

0500 **SG9** (3) D 2 2 **Information zu Port of Origin und Place of Delivery**

For Japan applies:
This fields are mandatory.
Port of Origin und Place of Delivery

0510 32 **LOC** (1) M 1 2 **Place/location identification**

		Standard	Implementation	
Tag	Name	St Format	St Format	Usage / Remark
LOC				
3227	Location function code qualifier	M an..3	M an..3	76 Original port of loading 7 Place of delivery
C517	Location identification	C	C	
3225	Location name code	C an..25	C a..5	<i>Description:</i> Location Code of origin (with Qualifier 76) resp. Place of Delivery (with Qualifier 7)
1131	Code list identification code	C an..17	N	Not used
3055	Code list responsible agency code	C an..3	N	Not used
3224	Location name	C an..256	C an..35	<i>Description:</i> Name of port of origin (with Qualifier 76) resp. Place of Delivery (with Qualifier 7)
C519	Related location one identification	C	N	
3223	First related location name code	C an..25	N	Not used
1131	Code list identification code	C an..17	N	Not used
3055	Code list responsible agency code	C an..3	N	Not used
3222	First related location name	C an..70	N	Not used
C553	Related location two identification	C	N	
3233	Second related location name code	C an..25	N	Not used
1131	Code list identification code	C an..17	N	Not used
3055	Code list responsible agency code	C an..3	N	Not used
3232	Second related location name	C an..70	N	Not used
5479	Relation code	C an..3	N	Not used

Example:

LOC+76+DEDRS:::DRESDEN'

Counter	No	Tag	St	MaxOcc	Level	Name
---------	----	-----	----	--------	-------	------

0500 **SG9** (4) C 1 2 **Information about the first customs office at entry**

First Customs office at entry - ID of customs office where the goods enter the EU

0510 33 **LOC** (1) M 1 2 **Place/location identification**

Standard			Implementation	
Tag	Name	St Format	St Format	Usage / Remark
LOC				
3227	Location function code qualifier	M an..3	M an..3	41 Customs office of entry
C517	Location identification	C	M	
3225	Location name code	C an..25	C an..25	<p>Field in ICS: First Entry Customs Office (Reference Number) Description: Instead of a customs office reference number, one might send an UNLoCode here. DAKOSY will then map the code to the appropriate number. Please contact DAKOSY if you wish to use this mapping functionality.</p> <p>Format UNLoCode: a5 Format Customs Office: an8</p> <p>List of customs office codes available at: http://ec.europa.eu/taxation_customs/dds/csr/home_en.htm</p> <p>Note: DAKOSY supports only a 1:1 mapping LoCode->CustomsOffice. However, for a number of ports within the EU there are several customs office codes. Therefore, a customer should always consider that the possibility to send customs office codes might be needed even if a UNLoCode is sent usually.</p>
1131	Code list identification code	C an..17	N	Not used
3055	Code list responsible agency code	C an..3	N	Not used
3224	Location name	C an..256	N	Not used
C519	Related location one identification	C	C	
3223	First related location name code	C an..25	C an..5	
1131	Code list identification code	C an..17	N	Not used
3055	Code list responsible agency code	C an..3	N	Not used
3222	First related location name	C an..70	N	Not used
C553	Related location two identification	C	C	
3233	Second related location name code	C an..25	C an..25	
1131	Code list identification code	C an..17	N	Not used
3055	Code list responsible agency code	C an..3	N	Not used
3232	Second related location name	C an..70	N	Not used
5479	Relation code	C an..3	M an..3	0

Example:

LOC+41+FR001234+++0'

Counter	No	Tag	St	MaxOcc	Level	Name
---------	----	-----	----	--------	-------	------

0500 **SG9** (4) C 1 2 **Information about the first customs office at entry**

First Customs office at entry - ID of customs office where the goods enter the EU

0520 34 **DTM** (1) M 1 3 **Date/time/period**

			Standard	Implementation	
Tag	Name	St Format	St Format	Usage / Remark	
DTM					
C507	Date/time/period	M	M		
2005	Date or time or period function code qualifier	M an..3	M an..3		132 Arrival date/time, estimated
2380	Date or time or period value	C an..35	M an..35		Field in ICS: First customs office at entry - Date and time of arrival
2379	Date or time or period format code	C an..3	M an..3		203 CCYYMMDDHHMM

Example:

DTM+132:201401241355:203'

Counter	No	Tag	St	MaxOcc	Level	Name
---------	----	-----	----	--------	-------	------

0500 **SG9** (5) C 94 2 **Information about subsequent customs offices at entry**

Subsequent customs offices at entry. If goods in this ENS are to be transported to a subsequent customs office (e.g. the first port of entry in sea freight might be Le Havre while the goods are to be discharged in Hamburg), this information must be provided.

0510 35 **LOC** (1) M 1 2 **Place/location identification**

Standard			Implementation	
Tag	Name	St Format	St Format	Usage / Remark
LOC				
3227	Location function code qualifier	M an..3	M an..3	41 Customs office of entry
C517	Location identification	C	C	
3225	Location name code	C an..25	C an..25	<p>Field in ICS: Subsequent Entry Customs Office Code Description: Instead of a customs office reference number, one might send an UNLoCode here. DAKOSY will then map the code to the appropriate number. Please contact DAKOSY if you wish to use this mapping functionality.</p> <p>Format UNLoCode: a5 Format Customs Office: an8</p> <p>List of customs office codes available at: http://ec.europa.eu/taxation_customs/dds/csr/home_en.htm</p> <p>Note: DAKOSY supports only a 1:1 mapping LoCode-<->CustomsOffice. However, for a number of ports within the EU there are several customs office codes. Therefore, a customer should always consider that the possibility to send customs office codes might be needed even if a UNLoCode is sent usually.</p>
1131	Code list identification code	C an..17	N	Not used
3055	Code list responsible agency code	C an..3	N	Not used
3224	Location name	C an..256	N	Not used
C519	Related location one identification	C	N	
3223	First related location name code	C an..25	N	Not used
1131	Code list identification code	C an..17	N	Not used
3055	Code list responsible agency code	C an..3	N	Not used
3222	First related location name	C an..70	N	Not used
C553	Related location two identification	C	N	
3233	Second related location name code	C an..25	N	Not used
1131	Code list identification code	C an..17	N	Not used
3055	Code list responsible agency code	C an..3	N	Not used
3232	Second related location name	C an..70	N	Not used
5479	Relation code	C an..3	M an..3	1

Example:

LOC+41+DE004707+++1'

Counter	No	Tag	St	MaxOcc	Level	Name
---------	----	-----	----	--------	-------	------

0530		SG10 (1)	D	1	2	RFF
------	--	-------------------	---	---	---	-----

Mandatory when sending IFTMCS to Portbase

0540	36	RFF (1)	M	1	2	Reference
------	----	------------------	---	---	---	-----------

Standard			Implementation	
Tag	Name	St Format	St Format	Usage / Remark
RFF				
C506	Reference	M	M	
1153	Reference code qualifier	M an..3	M an..3	ATZ Ship's stay reference number
1154	Reference identifier	C an..70	C an..35	Description: Mandatory when sending IFTMCS to Portbase
1156	Document line identifier	C an..6	N	Not used
4000	Reference version identifier	C an..35	N	Not used
1060	Revision identifier	C an..6	N	Not used

Example:

RFF+ATZ:X'

Counter	No	Tag	St	MaxOcc	Level	Name
0530		SG10 (2)	C	1	2	RFF
0540	37	RFF (1)	M	1	2	Reference

Standard			Implementation	
Tag	Name	St Format	St Format	Usage / Remark
RFF				
C506	Reference	M	M	
1153	Reference code qualifier	M an..3	M an..3	VM Vessel identification
1154	Reference identifier	C an..70	C an..7	Description: Call Sign of the vessel
1156	Document line identifier	C an..6	N	Not used
4000	Reference version identifier	C an..35	N	Not used
1060	Revision identifier	C an..6	N	Not used

Example:

RFF+VM:CG9TH'

Counter	No	Tag	St	MaxOcc	Level	Name
0460		SG8 (2)	O	1	1	Routing information
0470	38	TDT (1)	M	1	1	Details of transport

The segment group triggered by TDT+21 is meant to carry the shipment's routing for ICS declarations (Countries that are on the route between PoL and PoD)

Standard			Implementation	
Tag	Name	St Format	St Format	Usage / Remark
TDT				
8051	Transport stage code qualifier	M an..3	M an..3	21 Main carriage - first carrier
8028	Means of transport journey identifier	C an..17	N	Not used
C220	Mode of transport	C	N	
8067	Transport mode name code	C an..3	N	Not used
8066	Transport mode name	C an..17	N	Not used
C228	Transport means	C	N	
8179	Transport means description code	C an..8	N	Not used
8178	Transport means description	C an..17	N	Not used
C040	Carrier	C	N	
3127	Carrier identifier	C an..17	N	Not used
1131	Code list identification code	C an..17	N	Not used
3055	Code list responsible agency code	C an..3	N	Not used
3128	Carrier name	C an..35	N	Not used
8101	Transit direction indicator code	C an..3	N	Not used
C401	Excess transportation information	C	N	
8457	Excess transportation reason code	M an..3	N	Not used
8459	Excess transportation responsibility code	M an..3	N	Not used
7130	Customer shipment authorisation identifier	C an..17	N	Not used
C222	Transport identification	C	N	
8213	Transport means identification name identifier	C an..9	N	Not used
1131	Code list identification code	C an..17	N	Not used
3055	Code list responsible agency code	C an..3	N	Not used
8212	Transport means identification name	C an..35	N	Not used
8453	Transport means nationality code	C an..3	N	Not used
8281	Transport means ownership indicator code	C an..3	N	Not used

Example:
TDT+21'

Counter	No	Tag	St	MaxOcc	Level	Name
0500		SG9 (1)	C	99	2	Port of Call / Routing-Port
0510	39	LOC (1)	M	1	2	Place/location identification

The occurrences of LOC+49 should reflect the countries through which this shipment passes during its transportation. Origin and destination are taken from the country code in segments TDT+20/LOC+9 and TDT+20/LOC+11. Therefore only countries INBETWEEN origin and destination have to be listed here.

		Standard	Implementation	
Tag	Name	St Format	St Format	Usage / Remark
LOC				
3227	Location function code qualifier	M an..3	M an..3	49 Country of transit
C517	Location identification	C	C	
3225	Location name code	C an..25	C an..25	<i>Description:</i> Two-Character Country Code (accd. ISO 643) of the country that is passed
1131	Code list identification code	C an..17	N	Not used
3055	Code list responsible agency code	C an..3	N	Not used
3224	Location name	C an..256	N	Not used
C519	Related location one identification	C	N	
3223	First related location name code	C an..25	N	Not used
1131	Code list identification code	C an..17	N	Not used
3055	Code list responsible agency code	C an..3	N	Not used
3222	First related location name	C an..70	N	Not used
C553	Related location two identification	C	N	
3233	Second related location name code	C an..25	N	Not used
1131	Code list identification code	C an..17	N	Not used
3055	Code list responsible agency code	C an..3	N	Not used
3232	Second related location name	C an..70	N	Not used
5479	Relation code	C an..3	N	Not used

Example:

LOC+49+DE '
 LOC+49+CN '
 LOC+49+US '

Counter	No	Tag	St	MaxOcc	Level	Name
0560		SG11 (1)	M	1	1	NAD-SG12-SG15
0570	40	NAD (1)	M	1	1	Information about the presenter / the person lodging the declaration

Message Sender - equal to the Party / Person lodging a summary declaration for ICS or national summary declaration
 ICS specific: When sending declarations to German customs, only the EORI-TIN (C082.3039) will be submitted
 For Japan applies:
 Specification of the SmartLink Company (Customer) ID

		Standard	Implementation	
Tag	Name	St Format	St Format	Usage / Remark
NAD				
3035	Party function code qualifier	M an..3	M an..3	MS Document/message issuer/sender Description: Description: For Japan applies: The customer ID has to be specified. To be specified in format: max an..17
C082	Party identification details	C	M	
3039	Party identifier	M an..35	M an..17	Field in ICS: (LODGING SUMMARY DECLARATION) PERSON (TIN)
1131	Code list identification code	C an..17	C an..17	Field in ICS: (LODGING SUMMARY DECLARATION) PERSON (RIN) Description: The "RIN" number is used for declarations to Austrian customs only
3055	Code list responsible agency code	C an..3	N	Not used
C058	Name and address	C	C	
3124	Name and address description	M an..35	M n4	Description: Branch number ICS remarks: Note: Branch number of German customs
3124	Name and address description	C an..35	N	Not used
3124	Name and address description	C an..35	N	Not used
3124	Name and address description	C an..35	N	Not used
3124	Name and address description	C an..35	N	Not used
C080	Party name	C	C	
3036	Party name	M an..35	M an..35	Field in ICS: (LODGING SUMMARY DECLARATION) PERSON (Name)
3036	Party name	C an..35	C an..35	Description: Name Continuation - This field is used for sending the 2nd part of the company name (if the name is longer than 35 char). It is used by the Finnish customs only.
3036	Party name	C an..35	N	Not used
3036	Party name	C an..35	N	Not used
3036	Party name	C an..35	N	Not used
3045	Party name format code	C an..3	N	Not used
C059	Street	C	C	
3042	Street and number or post office box identifier	M an..35	M an..35	Field in ICS: (LODGING SUMMARY DECLARATION) PERSON (Street and Number)
3042	Street and number or post office box identifier	C an..35	N	Not used
3042	Street and number or post office box identifier	C an..35	N	Not used

DAKOSY

Datenkommunikationssystem AG

ICS – Import Control System

3042	Street and number or post office box identifier	C an..35	N	Not used
3164	City name	C an..35	C an..35	Field in ICS: (LODGING SUMMARY DECLARATION) PERSON (City)

		Standard		Implementation	
Tag	Name	St Format	St Format	Usage / Remark	
C819	Country sub-entity details	C	N		
3229	Country sub-entity name code	C an..9	C an..9		
1131	Code list identification code	C an..17	N	Not used	
3055	Code list responsible agency code	C an..3	N	Not used	
3228	Country sub-entity name	C an..35	N	Not used	
3251	Postal identification code	C an..17	C an..17	Field in ICS: (LODGING SUMMARY DECLARATION) PERSON (Postcode)	
3207	Country name code	C an..3	C an..3	Field in ICS: (LODGING SUMMARY DECLARATION) PERSON (Country)	

Example:

NAD+MS+DE6000522:12345678901234567+0000+PRESENTER:X+ABC STREET 32+LOCATION++12345+DE'

Counter	No	Tag	St	MaxOcc	Level	Name
0600		SG12 (1)	C	1	2	CTA-COM
0610	41	CTA (1)	M	1	2	Contact information

Standard			Implementation	
Tag	Name	St Format	St Format	Usage / Remark
CTA				
3139	Contact function code	C an..3	C an..3	IC Information contact
C056	Department or employee details	C	C	
3413	Department or employee name code	C an..17	N	Not used
3412	Department or employee name	C an..35	C an..35	Field in ICS: Name of contact person at Person Lodging The Declaration ICS remarks: Mandatory for declarations to German customs, not used internationally

Example:

CTA+IC+:Mr. X'

Counter	No	Tag	St	MaxOcc	Level	Name
0600		SG12 (1)	C	1	2	CTA-COM
0620	42	COM (1)	C	9	3	Communication contact

Standard			Implementation	
Tag	Name	St Format	St Format	Usage / Remark
COM				
C076	Communication contact	M	M	
3148	Communication address identifier	M an..512	M an..512	Field in ICS: Phone number of person lodging the declaration ICS remarks: Mandatory for German ICS declaration, not mentioned in MASP docs
3155	Communication address code qualifier	M an..3	M an..3	TE Telephone

Example:

COM+040370030:TE'

Counter	No	Tag	St	MaxOcc	Level	Name
0740		SG15 (1)	C	1	2	RFF
0750	43	RFF (1)	M	1	2	Language Code

Standard			Implementation	
Tag	Name	St Format	St Format	Usage / Remark
RFF				
C506	Reference	M	M	
1153	Reference code qualifier	M an..3	M an..3	LNG Language Code / Sprachcode
1154	Reference identifier	C an..70	M a2	Description: This field can be used to provide a two-character language code, describing the language used for address and contact data. Whether this field is used and whether it is mandatory depends on the receiving country of a message.
1156	Document line identifier	C an..6	N	Not used
4000	Reference version identifier	C an..35	N	Not used
1060	Revision identifier	C an..6	N	Not used

Example:

RFF+LNG:DE'

Counter	No	Tag	St	MaxOcc	Level	Name
0560		SG11 (2)	C	1	1	NAD-SG12-SG15
0570	44	NAD (1)	D	1	1	Information about the carrier

If the carrier is different from the Person Lodging The Summary Declaration, the carrier's EORI must be provided here.

Standard			Implementation	
Tag	Name	St Format	St Format	Usage / Remark
NAD				
3035	Party function code qualifier	M an..3	M an..3	CG Carrier's agent Description: Description: For Japan applies: Mandatory field. The Carrier Code (SCAC) has to be specified. To be specified in format an..4
C082	Party identification details	C	M	
3039	Party identifier	M an..35	M an..35	Field in ICS: (ENTRY CARRIER) TRADER TIN
1131	Code list identification code	C an..17	N	Not used
3055	Code list responsible agency code	C an..3	N	Not used
C058 Name and address				
3124	Name and address description	M an..35	M n4	Description: Branch number ICS remarks: Note: Branch number of German customs
3124	Name and address description	C an..35	N	Not used
3124	Name and address description	C an..35	N	Not used
3124	Name and address description	C an..35	N	Not used
3124	Name and address description	C an..35	N	Not used
C080 Party name				
3036	Party name	M an..35	M an..35	Field in ICS: (ENTRY CARRIER) TRADER TIN ICS remarks: Mandatory if ESumA is not reported by the Carrier itself
3036	Party name	C an..35	N	Not used
3036	Party name	C an..35	N	Not used
3036	Party name	C an..35	N	Not used
3036	Party name	C an..35	N	Not used
3045	Party name format code	C an..3	N	Not used
C059 Street				
3042	Street and number or post office box identifier	M an..35	M an..35	
3042	Street and number or post office box identifier	C an..35	N	Not used
3042	Street and number or post office box identifier	C an..35	N	Not used
3042	Street and number or post office box identifier	C an..35	N	Not used
3164	City name	C an..35	C an..35	
C819 Country sub-entity details				
3229	Country sub-entity name code	C an..9	N	Not used
1131	Code list identification code	C an..17	N	Not used

DAKOSY

Datenkommunikationssystem AG

ICS – Import Control System

3055	Code list responsible agency code	C an..3	N	Not used
3228	Country sub-entity name	C an..35	N	Not used

		Standard	Implementation	
Tag	Name	St Format	St Format	Usage / Remark
3251	Postal identification code	C an..17	C an..17	
3207	Country name code	C an..3	C an..3	

Example:

NAD+CG+DE6000123+0000+CARRIER COMPANY+WINROAD 21+HONGKONG++123450+CN'

Counter	No	Tag	St	MaxOcc	Level	Name
0600		SG12 (1)	C	1	2	CTA-COM
0610	45	CTA (1)	M	1	2	Contact information

Standard			Implementation	
Tag	Name	St Format	St Format	Usage / Remark
CTA				
3139	Contact function code	C an..3	C an..3	IC Information contact
C056	Department or employee details	C	C	
3413	Department or employee name code	C an..17	N	Not used
3412	Department or employee name	C an..35	M an..35	Description: Contact person or department at the carrier resp. the carrier's agent.

Example:

CTA+IC+:X'

Counter	No	Tag	St	MaxOcc	Level	Name
0600		SG12 (1)	C	1	2	CTA-COM
0620	46	COM (1)	C	9	3	Communication contact

		Standard	Implementation	
Tag	Name	St Format	St Format	Usage / Remark
COM				
C076	Communication contact	M	M	
3148	Communication address identifier	M an..512	M an..512	
3155	Communication address code qualifier	M an..3	M an..3	EM Electronic mail FX Telefax TE Telephone

Example:

COM+(0123) 456-78:TE'

Counter	No	Tag	St	MaxOcc	Level	Name
0740		SG15 (1)	C	1	2	RFF
0750	47	RFF (1)	M	1	2	Language Code

Standard			Implementation	
Tag	Name	St Format	St Format	Usage / Remark
RFF				
C506	Reference	M	M	
1153	Reference code qualifier	M an..3	M an..3	LNG Language Code
1154	Reference identifier	C an..70	M a2	Description: This field can be used to provide a two-character language code, describing the language used for address and contact data. Whether this field is used and whether it is mandatory depends on the receiving country of a message.
1156	Document line identifier	C an..6	N	Not used
4000	Reference version identifier	C an..35	N	Not used
1060	Revision identifier	C an..6	N	Not used

Example:

RFF+LNG:DE'

Counter	No	Tag	St	MaxOcc	Level	Name
0560		SG11 (3)	M	1	1	NAD-SG12-SG15
0570	48	NAD (1)	M	1	1	Information about the shipper/consignor

Information about the consignor

For Japan applies:

This field is mandatory, instead of TIN, the contact details are to be sent

If the Party Function Code Qualifier in 3035 = CZ, CN or N1 the phone number must be specified in SG CTA- COM in case of declarations in Japan.

		Standard	Implementation	
Tag	Name	St Format	St Format	Usage / Remark
NAD				
3035	Party function code qualifier	M an..3	M an..3	CZ Consignor
C082	Party identification details	C	D	
3039	Party identifier	M an..35	M an..35	Field in ICS: (CONSIGNOR) TRADER TIN Description: Consignor's Trader Identification Number (EORI-TIN). If not EORI-TIN can be provided, address details have to be filled in in the following data elements.
1131	Code list identification code	C an..17	N	Not used
3055	Code list responsible agency code	C an..3	N	Not used
C058				
3124	Name and address description	M an..35	M n4	Description: Branch number ICS remarks: Note: Branch number of German customs
3124	Name and address description	C an..35	N	Not used
3124	Name and address description	C an..35	N	Not used
3124	Name and address description	C an..35	N	Not used
3124	Name and address description	C an..35	N	Not used
C080				
3036	Party name	M an..35	D an..35	Field in ICS: (CONSIGNOR) TRADER Name ICS remarks: Mandatory if no TIN is provided
3036	Party name	C an..35	C an..35	Description: Name Continuation - This field is used for sending the 2nd part of the company name (if the name is longer than 35 char). It is used by Finnish customs. This field may also be used to specify additional address information in case of declarations in Japan.
3036	Party name	C an..35	N	Not used
3036	Party name	C an..35	N	Not used
3036	Party name	C an..35	N	Not used
3045	Party name format code	C an..3	N	Not used
C059				
3042	Street and number or post office box identifier	M an..35	D an..35	Field in ICS: CONSIGNOR TRADER (Street and Number) ICS remarks: Mandatory if no TIN is provided
3042	Street and number or post office box identifier	C an..35	N	Not used

3042	Street and number or post office box identifier	C an..35	N	Not used
3042	Street and number or post office box identifier	C an..35	N	Not used

		Standard		Implementation		
Tag	Name	St	Format	St	Format	Usage / Remark
3164	City name	C	an..35	D	an..35	Field in ICS: (CONSIGNOR) TRADER City ICS remarks: Mandatory if no TIN is provided
C819	Country sub-entity details	C		N		
3229	Country sub-entity name code	C	an..9	N		Not used
1131	Code list identification code	C	an..17	N		Not used
3055	Code list responsible agency code	C	an..3	N		Not used
3228	Country sub-entity name	C	an..35	N		Not used
3251	Postal identification code	C	an..17	C	an..17	Field in ICS: (CONSIGNOR) TRADER Postal Code ICS remarks: Mandatory if not TIN is provided Description: Description: For Japan applies: This field is mandatory.
3207	Country name code	C	an..3	D	an..3	Field in ICS: (CONSIGNOR) TRADER Country Code ICS remarks: Mandatory if no TIN is provided Description: Description: For Japan applies: This field is mandatory.

Example:

NAD+CZ+DE1234567+0000+Shipping Company:X+40 Zhengu Road+Hong Kong++12345+CN'

Counter	No	Tag	St	MaxOcc	Level	Name
---------	----	-----	----	--------	-------	------

0600 **SG12 (1)** D 1 2 **CTA-COM**

This segment is only used in case of declarations in Japan.

If the Party Function Code Qualifier in 3035 = CZ, CN or N1 the phone number must be specified in SG COM in case of declarations in Japan.

0610 49 **CTA (1)** M 1 2 **Contact information**

		Standard	Implementation	
Tag	Name	St Format	St Format	Usage / Remark
CTA				
3139	Contact function code	C an..3	R an..3	IC Information contact
C056	Department or employee details	C	N	
3413	Department or employee name code	C an..17	N	Not used
3412	Department or employee name	C an..35	N	Not used

Example:

CTA+IC'

Counter	No	Tag	St	MaxOcc	Level	Name
---------	----	-----	----	--------	-------	------

0600 **SG12** (1) D 1 2 **CTA-COM**

This segment is only used in case of declarations in Japan.

If the Party Function Code Qualifier in 3035 = CZ, CN or N1 the phone number must be specified in SG COM in case of declarations in Japan.

0620 50 **COM** (1) D 9 3 **Communication contact**

		Standard	Implementation	
Tag	Name	St Format	St Format	Usage / Remark
COM				
C076	Communication contact	M	M	
3148	Communication address identifier	M an..512	M an..512	
3155	Communication address code qualifier	M an..3	D an..3	TE Telephone

The use of this segment is mandatory in case of declarations in Japan.

Example:

COM+X:TE'

Counter	No	Tag	St	MaxOcc	Level	Name
0740		SG15 (1)	C	1	2	RFF
0750	51	RFF (1)	M	1	2	Language Code

Standard			Implementation	
Tag	Name	St Format	St Format	Usage / Remark
RFF				
C506	Reference	M	M	
1153	Reference code qualifier	M an..3	M an..3	LNG Language Code
1154	Reference identifier	C an..70	M a2	Description: This field can be used to provide a two-character language code, describing the language used for address and contact data. Whether this field is used and whether it is mandatory depends on the receiving country of a message.
1156	Document line identifier	C an..6	N	Not used
4000	Reference version identifier	C an..35	N	Not used
1060	Revision identifier	C an..6	N	Not used

Example:

RFF+LNG:DE'

Counter	No	Tag	St	MaxOcc	Level	Name
0560		SG11 (4)	D	1	1	NAD-SG12-SG15
0570	52	NAD (1)	M	1	1	Information about the consignee

Information about the consignee; this information must only be submitted, if the consignee is not identical to the person lodging the summary declaration. If the goods are transported under a "To Order" consossement, "10600" has to be specified as EORI.

For Japan applies:

This field is mandatory, instead of TIN, the contact details are to be sent

If the Party Function Code Qualifier in 3035 = CZ, CN or N1 the phone number must be specified in SG CTA-COM in case of declarations in Japan.

		Standard	Implementation	
Tag	Name	St Format	St Format	Usage / Remark
NAD				
3035	Party function code qualifier	M an..3	M an..3	CN Consignee
C082	Party identification details	C	D	
3039	Party identifier	M an..35	M an..35	Field in ICS: Consignee Trader (EORI) Description: Has to be set to '10600' in case of 'To-Order' B/L. Otherwise the consignee's EORI-TIN should be provided here. If no EORI-TIN can be provided, address details should be sent in the following data elements. Mandatory if Specific Circumstance Indicator (RFF+SC) is set to 'E'.
1131	Code list identification code	C an..17	N	Not used
3055	Code list responsible agency code	C an..3	N	Not used
C058	Name and address	C	C	
3124	Name and address description	M an..35	M n4	Description: Branch number ICS remarks: Note: Branch number of German customs
3124	Name and address description	C an..35	N	Not used
3124	Name and address description	C an..35	N	Not used
3124	Name and address description	C an..35	N	Not used
3124	Name and address description	C an..35	N	Not used
C080	Party name	C	D	
3036	Party name	M an..35	M an..35	Field in ICS: Consignee Trader (Name)
3036	Party name	C an..35	C an..35	Description: Name Continuation - This field is used for sending the 2nd part of the company name (if the name is longer than 35 char). It is used by Finnish customs. This field may also be used to specify additional address information in case of declarations in Japan.
3036	Party name	C an..35	N	Not used
3036	Party name	C an..35	N	Not used
3036	Party name	C an..35	N	Not used
3045	Party name format code	C an..3	N	Not used
C059	Street	C	D	

3042	Street and number or post office box identifier	M an..35	M an..35	Field in ICS: (CONSIGNEE) TRADER Street and Number ICS remarks: Mandatory if no TIN is provided
3042	Street and number or post office box identifier	C an..35	N	Not used
3042	Street and number or post	C an..35	N	Not used

		Standard	Implementation	
Tag	Name	St Format	St Format	Usage / Remark
	office box identifier			
3042	Street and number or post office box identifier	C an..35	N	Not used
3164	City name	C an..35	D an..35	Field in ICS: (CONSIGNEE) TRADER City ICS remarks: Mandatory if no TIN is provided
C819	Country sub-entity details	C	N	
3229	Country sub-entity name code	C an..9	N	Not used
1131	Code list identification code	C an..17	N	Not used
3055	Code list responsible agency code	C an..3	N	Not used
3228	Country sub-entity name	C an..35	N	Not used
3251	Postal identification code	C an..17	D an..17	Field in ICS: (CONSIGNEE) TRADER Postal Code Description: For Japan applies: This field is mandatory.
3207	Country name code	C an..3	D an..3	Field in ICS: (CONSIGNEE) TRADER Country Code Description: For Japan applies: This field is mandatory.

Example:

NAD+CN+DE4854541+0000+CONSIGNEE TRADER:X+STREET 72+DRESDEN++01900+DE'

Counter	No	Tag	St	MaxOcc	Level	Name
0600		SG12 (1)	D	1	2	CTA-COM
0610	53	CTA (1)	M	1	2	Contact information

Standard			Implementation	
Tag	Name	St Format	St Format	Usage / Remark
CTA				
3139	Contact function code	C an..3	R an..3	IC Information contact
C056	Department or employee details	C	N	
3413	Department or employee name code	C an..17	N	Not used
3412	Department or employee name	C an..35	N	Not used

Example:

CTA+IC'

Counter	No	Tag	St	MaxOcc	Level	Name
0600		SG12 (1)	D	1	2	CTA-COM
0620	54	COM (1)	D	9	3	Communication contact

		Standard	Implementation	
Tag	Name	St Format	St Format	Usage / Remark
COM				
C076	Communication contact	M	M	
3148	Communication address identifier	M an..512	M an..512	
3155	Communication address code qualifier	M an..3	D an..3	TE Telephone

The use of this segment is mandatory in case of declarations in Japan.

Example:

COM+X:TE'

Counter	No	Tag	St	MaxOcc	Level	Name
0740		SG15 (1)	C	1	2	RFF
0750	55	RFF (1)	M	1	2	Language Code

Standard			Implementation	
Tag	Name	St Format	St Format	Usage / Remark
RFF				
C506	Reference	M	M	
1153	Reference code qualifier	M an..3	M an..3	LNG Language Code
1154	Reference identifier	C an..70	M a2	Description: This field can be used to provide a two-character language code, describing the language used for address and contact data. Whether this field is used and whether it is mandatory depends on the receiving country of a message.
1156	Document line identifier	C an..6	N	Not used
4000	Reference version identifier	C an..35	N	Not used
1060	Revision identifier	C an..6	N	Not used

Example:

RFF+LNG:DE'

Counter	No	Tag	St	MaxOcc	Level	Name
0560		SG11 (5)	D	1	1	NAD-SG12-SG15
0570	56	NAD (1)	M	1	1	Notify Party

Information about the notify party. This information *must* be provided if the goods are transported under a "To Order" connossement (i.e. if EORI of consignee in this IFTMCS message is "10600"). *Must not* be provided otherwise.

For Japan applies:

This field is mandatory, instead of TIN, the contact details are to be sent

If the Party Function Code Qualifier in 3035 = CZ, CN or N1 the phone number must be specified in SG CTA- COM in case of declarations in Japan.

		Standard	Implementation	
Tag	Name	St Format	St Format	Usage / Remark
NAD				
3035	Party function code qualifier	M an..3	M an..3	N1 Notify party no. 1
C082	Party identification details	C	D	
3039	Party identifier	M an..35	M an..35	Field in ICS: Weiterer Beteiligter (TIN) Field in ICS: NOTIFY PARTY TIN
1131	Code list identification code	C an..17	N	Not used
3055	Code list responsible agency code	C an..3	N	Not used
C058	Name and address	C	C	
3124	Name and address description	M an..35	M n4	Description: Branch number ICS remarks: Note: Branch number of German customs
3124	Name and address description	C an..35	N	Not used
3124	Name and address description	C an..35	N	Not used
3124	Name and address description	C an..35	N	Not used
3124	Name and address description	C an..35	N	Not used
C080	Party name	C	D	
3036	Party name	M an..35	M an..35	Field in ICS: NOTIFY PARTY Name ICS remarks: Mandatory if no TIN is provided
3036	Party name	C an..35	C an..35	Description: Name Continuation - This field is used for sending the 2nd part of the company name (if the name is longer than 35 char). It is used by Finnish customs. This field may also be used to specify additional address information in case of declarations in Japan.
3036	Party name	C an..35	N	Not used
3036	Party name	C an..35	N	Not used
3036	Party name	C an..35	N	Not used
3045	Party name format code	C an..3	N	Not used
C059	Street	C	C	
3042	Street and number or post office box identifier	M an..35	M an..35	Field in ICS: Notify Party (Street and Number)
3042	Street and number or post office box identifier	C an..35	N	Not used
3042	Street and number or post office box identifier	C an..35	N	Not used

3042	Street and number or post office box identifier	C an..35	N	Not used
3164	City name	C an..35	C an..35	Field in ICS: Notify Party (City)
C819	Country sub-entity details	C	N	

		Standard		Implementation		
Tag	Name	St	Format	St	Format	Usage / Remark
3229	Country sub-entity name code	C	an..9	N		Not used
1131	Code list identification code	C	an..17	N		Not used
3055	Code list responsible agency code	C	an..3	N		Not used
3228	Country sub-entity name	C	an..35	N		Not used
3251	Postal identification code	C	an..17	C	an..17	Field in ICS: Notify Party (Zip code city) Description: For Japan applies: This field is mandatory.
3207	Country name code	C	an..3	C	an..3	Field in ICS: Notify Party (country) Description: For Japan applies: This field is mandatory.

Example:

NAD+N1+DE2345678+0000+NOTIFY PARTY:X+STREET 99+LEIPZIG++03000+DE'

Counter	No	Tag	St	MaxOcc	Level	Name
0600		SG12 (1)	D	1	2	CTA-COM
0610	57	CTA (1)	M	1	2	Contact information

Standard			Implementation	
Tag	Name	St Format	St Format	Usage / Remark
CTA				
3139	Contact function code	C an..3	R an..3	IC Information contact
C056	Department or employee details	C	N	
3413	Department or employee name code	C an..17	N	Not used
3412	Department or employee name	C an..35	N	Not used

Example:

CTA+IC'

Counter	No	Tag	St	MaxOcc	Level	Name
0600		SG12 (1)	D	1	2	CTA-COM
0620	58	COM (1)	D	9	3	Communication contact

		Standard	Implementation	
Tag	Name	St Format	St Format	Usage / Remark
COM				
C076	Communication contact	M	M	
3148	Communication address identifier	M an..512	M an..512	
3155	Communication address code qualifier	M an..3	D an..3	TE Telephone

The use of this segment is mandatory in case of declarations in Japan.

Example:

COM+X:TE'

Counter	No	Tag	St	MaxOcc	Level	Name
0740		SG15 (1)	C	1	2	RFF
0750	59	RFF (1)	M	1	2	Language Code

Standard			Implementation	
Tag	Name	St Format	St Format	Usage / Remark
RFF				
C506	Reference	M	M	
1153	Reference code qualifier	M an..3	M an..3	LNG Language Code
1154	Reference identifier	C an..70	M a2	Description: This field can be used to provide a two-character language code, describing the language used for address and contact data. Whether this field is used and whether it is mandatory depends on the receiving country of a message.
1156	Document line identifier	C an..6	N	Not used
4000	Reference version identifier	C an..35	N	Not used
1060	Revision identifier	C an..6	N	Not used

Example:

RFF+LNG:DE'

Counter	No	Tag	St	MaxOcc	Level	Name
---------	----	-----	----	--------	-------	------

0560 **SG11 (6)** O 1 1 **NAD**

This segment is relevant when sending data to Portbase only

0570 60 **NAD (1)** M 1 1 **Name and address**

Standard			Implementation	
Tag	Name	St Format	St Format	Usage / Remark
NAD				
3035	Party function code qualifier	M an..3	M an..3	N2 Notify party no. 2 CH Connecting carrier
C082	Party identification details	C	C	
3039	Party identifier	M an..35	M an..35	
1131	Code list identification code	C an..17	N	Not used
3055	Code list responsible agency code	C an..3	N	Not used
C058	Name and address	C	C	
3124	Name and address description	M an..35	M n4	Description: Branch number ICS remarks: Note: Branch number of German customs
3124	Name and address description	C an..35	N	Not used
3124	Name and address description	C an..35	N	Not used
3124	Name and address description	C an..35	N	Not used
3124	Name and address description	C an..35	N	Not used
C080	Party name	C	C	
3036	Party name	M an..35	M an..35	
3036	Party name	C an..35	N	Not used
3036	Party name	C an..35	N	Not used
3036	Party name	C an..35	N	Not used
3036	Party name	C an..35	N	Not used
3045	Party name format code	C an..3	N	Not used
C059	Street	C	C	
3042	Street and number or post office box identifier	M an..35	M an..35	
3042	Street and number or post office box identifier	C an..35	N	Not used
3042	Street and number or post office box identifier	C an..35	N	Not used
3042	Street and number or post office box identifier	C an..35	N	Not used
3164	City name	C an..35	C an..35	
C819	Country sub-entity details	C	N	
3229	Country sub-entity name code	C an..9	N	Not used
1131	Code list identification code	C an..17	N	Not used
3055	Code list responsible agency code	C an..3	N	Not used
3228	Country sub-entity name	C an..35	N	Not used
3251	Postal identification code	C an..17	C an..17	

3207	Country name code	C an..3	C an..3	
------	-------------------	---------	---------	--

Example:

NAD+N2++0000+NOTIFY PARTY+STREET NUMBER+LOCATION++POST CODE+AD'

Counter	No	Tag	St	MaxOcc	Level	Name
---------	----	-----	----	--------	-------	------

0560 **SG11 (7)** D 1 1 **NAD**

This occurrence of SG11 has to be used when sending the IFTMCS to Portbase

0570 61 **NAD (1)** M 1 1 **Name and address**

Standard			Implementation	
Tag	Name	St Format	St Format	Usage / Remark
NAD				
3035	Party function code qualifier	M an..3	M an..3	WH Warehouse keeper
C082	Party identification details	C	C	
3039	Party identifier	M an..35	M an..35	
1131	Code list identification code	C an..17	N	Not used
3055	Code list responsible agency code	C an..3	N	Not used
C058	Name and address	C	N	
3124	Name and address description	M an..35	N	Not used
3124	Name and address description	C an..35	N	Not used
3124	Name and address description	C an..35	N	Not used
3124	Name and address description	C an..35	N	Not used
3124	Name and address description	C an..35	N	Not used
C080	Party name	C	N	
3036	Party name	M an..35	N	Not used
3036	Party name	C an..35	N	Not used
3036	Party name	C an..35	N	Not used
3036	Party name	C an..35	N	Not used
3036	Party name	C an..35	N	Not used
3045	Party name format code	C an..3	N	Not used
C059	Street	C	N	
3042	Street and number or post office box identifier	M an..35	N	Not used
3042	Street and number or post office box identifier	C an..35	N	Not used
3042	Street and number or post office box identifier	C an..35	N	Not used
3042	Street and number or post office box identifier	C an..35	N	Not used
3164	City name	C an..35	N	Not used
C819	Country sub-entity details	C	N	
3229	Country sub-entity name code	C an..9	N	Not used
1131	Code list identification code	C an..17	N	Not used
3055	Code list responsible agency code	C an..3	N	Not used
3228	Country sub-entity name	C an..35	N	Not used
3251	Postal identification code	C an..17	N	Not used
3207	Country name code	C an..3	N	Not used

Example:

NAD+WH+XXXXXXXX'

Counter	No	Tag	St	MaxOcc	Level	Name
0560		SG11 (8)	C	1	1	NAD-SG12
0570	62	NAD (1)	M	1	1	Information about the representative

TAXUD specifies the following information on the representative:

"The data group 'TRADER Representative' can be used by the 'PERSON Lodging the entry summary declaration' to authorise a Representative to amend an Entry summary declaration on his behalf at the Office of first Entry concerned.

If preventive/prohibitive measures are to be taken (IE351) or if controls at Entry are to be communicated to the trader prior to the arrival at Entry (IE351), the trader identified here, will be receiving the 'Advanced intervention notification' – IE351."

		Standard	Implementation	
Tag	Name	St Format	St Format	Usage / Remark
NAD				
3035	Party function code qualifier	M an..3	M an..3	AG Agent/representative
C082	Party identification details	C	C	
3039	Party identifier	M an..35	M an..35	Field in ICS: (REPRESENTATIVE) TRADER TIN Description: In ICS, German customs allows only the EORI-TIN of this party to be sent, Name/Address Lines are not available
1131	Code list identification code	C an..17	N	Not used
3055	Code list responsible agency code	C an..3	N	Not used
C058	Name and address	C	C	
3124	Name and address description	M an..35	M n4	Description: Branch number ICS remarks: Note: Branch number of German customs
3124	Name and address description	C an..35	N	Not used
3124	Name and address description	C an..35	N	Not used
3124	Name and address description	C an..35	N	Not used
3124	Name and address description	C an..35	N	Not used
C080	Party name	C	C	
3036	Party name	M an..35	M an..35	Field in ICS: (REPRESENTATIVE) TRADER Name
3036	Party name	C an..35	N	Not used
3036	Party name	C an..35	N	Not used
3036	Party name	C an..35	N	Not used
3036	Party name	C an..35	N	Not used
3045	Party name format code	C an..3	N	Not used
C059	Street	C	C	
3042	Street and number or post office box identifier	M an..35	M an..35	Field in ICS: (REPRESENTATIVE) TRADER Street and Number
3042	Street and number or post office box identifier	C an..35	N	Not used
3042	Street and number or post office box identifier	C an..35	N	Not used
3042	Street and number or post office box identifier	C an..35	N	Not used
3164	City name	C an..35	C an..35	Field in ICS: (REPRESENTATIVE) TRADER City
C819	Country sub-entity details	C	N	

DAKOSY

Datenkommunikationssystem AG

ICS – Import Control System

3229	Country sub-entity name code	C an..9	N	Not used
1131	Code list identification code	C an..17	N	Not used
3055	Code list responsible agency code	C an..3	N	Not used

		Standard	Implementation	
Tag	Name	St Format	St Format	Usage / Remark
3228	Country sub-entity name	C an..35	N	Not used
3251	Postal identification code	C an..17	C an..17	Field in ICS: (REPRESENTATIVE) TRADER Postcode
3207	Country name code	C an..3	C an..3	Field in ICS: (REPRESENTATIVE) TRADER Land

Example:

NAD+AG+DE6006005+0000+REPRESENTATIVE+REPRESENTATIVE STREET NUMBER+REPRESENTATIVE LOCATION++REPRESENTATIVE POSTCODE+AD'

Counter	No	Tag	St	MaxOcc	Level	Name
0600		SG12 (1)	C	1	2	CTA-COM
0610	63	CTA (1)	M	1	2	Contact information

Standard			Implementation	
Tag	Name	St Format	St Format	Usage / Remark
CTA				
3139	Contact function code	C an..3	C an..3	IC Information contact
C056	Department or employee details	C	C	
3413	Department or employee name code	C an..17	N	Not used
3412	Department or employee name	C an..35	C an..35	Field in ICS: Name of contact person at the representative ICS remarks: Mandatory for declarations to German customs, not used internationally

Example:

CTA+IC+:Mr. X'

Counter	No	Tag	St	MaxOcc	Level	Name
0600		SG12 (1)	C	1	2	CTA-COM
0620	64	COM (1)	C	9	3	Communication contact

Standard			Implementation	
Tag	Name	St Format	St Format	Usage / Remark
COM				
C076	Communication contact	M	M	
3148	Communication address identifier	M an..512	M an..512	Field in ICS: Phone number of contact person at representative
3155	Communication address code qualifier	M an..3	M an..3	TE Telephone

Example:

COM+040370030:TE'

Counter	No	Tag	St	MaxOcc	Level	Name
0890		SG18 (1)	M	999	1	GID-TMP-RNG-LOC-PIA-FTX-SG20-SG23-SG24-SG27-SG30
0900	65	GID (1)	M	1	1	Package information

Standard			Implementation	
Tag	Name	St Format	St Format	Usage / Remark
GID				
1496	Goods item number	C n..5	M n..5	Description: Sequential Number, increased by 1 for each goods item (e.g. first GID should have item number 1, second GID item number 2 etc.) Description:
C213	Number and type of packages	C	C	Description: Number of Packages - max. 5 digits, 8 digits allowed for ENS to NL only Note 1: This element is optional if SpecificCircumstanceIndicator on header level is "A" or "B". Otherwise it is mandatory. Note 2: The IFTMCS interface supports only one number and type of packages per Goods Item. Note 3: Due to different requirements of the individual customs agencies regarding the number of packages in case of bulk cargo (e.g. KindOfPackages VQ, VG, VL, VY, VR and VO), DAKOSY customers might always send 1 here in case of bulk cargo. Note 4: The differentiation between "Number of Packages" and "Number of Pieces" accd. TAXUD is handled within the DAKOSY system.
7224	Package quantity	C n..8	D n..8	
7065	Package type description code	C an..17	D an..17	Description: Allowed codes are specified in EAS codelist C0017 - Kind of Packages. Note 1: This element is optional if SpecificCircumstanceIndicator on header level is "A" or "B". Otherwise it is mandatory. Note 2: The IFTMCS interface supports only one number and type of packages per Goods Item
1131	Code list identification code	C an..17	N	Not used
3055	Code list responsible agency code	C an..3	N	Not used
7064	Type of packages	C an..35	N	Not used
7233	Packaging related description code	C an..3	N	Not used
C213	Number and type of packages	C	N	Not used
7224	Package quantity	C n..8	N	
7065	Package type description code	C an..17	N	Not used
1131	Code list identification code	C an..17	N	Not used
3055	Code list responsible agency code	C an..3	N	Not used
7064	Type of packages	C an..35	N	Not used
7233	Packaging related description code	C an..3	N	Not used
C213	Number and type of packages	C	N	Not used
7224	Package quantity	C n..8	N	

7065	Package type description code	C an..17	N	Not used
1131	Code list identification code	C an..17	N	Not used
3055	Code list responsible agency code	C an..3	N	Not used

		Standard	Implementation	
Tag	Name	St Format	St Format	Usage / Remark
7064	Type of packages	C an..35	N	Not used
7233	Packaging related description code	C an..3	N	Not used
C213	Number and type of packages	C	N	
7224	Package quantity	C n..8	N	Not used
7065	Package type description code	C an..17	N	Not used
1131	Code list identification code	C an..17	N	Not used
3055	Code list responsible agency code	C an..3	N	Not used
7064	Type of packages	C an..35	N	Not used
7233	Packaging related description code	C an..3	N	Not used
C213	Number and type of packages	C	N	
7224	Package quantity	C n..8	N	Not used
7065	Package type description code	C an..17	N	Not used
1131	Code list identification code	C an..17	N	Not used
3055	Code list responsible agency code	C an..3	N	Not used
7064	Type of packages	C an..35	N	Not used
7233	Packaging related description code	C an..3	N	Not used

Example:

GID+9+9:1A1'

Counter	No	Tag	St	MaxOcc	Level	Name
0890		SG18 (1)	M	999	1	GID-TMP-RNG-LOC-PIA-FTX-SG20-SG23-SG24-SG27-SG30
0920	66	TMP (1)	C	1	2	Temperature

Standard			Implementation	
Tag	Name	St Format	St Format	Usage / Remark
TMP				
6245	Temperature type code qualifier	M an..3	M an..3	2 Transport temperature
C239	Temperature setting	C	C	
6246	Temperature value	C n..15	C n..5	
6411	Measurement unit code	C an..3	C an..3	CEL degree Celsius FAH degree Fahrenheit

Example:

TMP+2+9:CEL'

Counter	No	Tag	St	MaxOcc	Level	Name
0890		SG18 (1)	M	999	1	GID-TMP-RNG-LOC-PIA-FTX-SG20-SG23-SG24-SG27-SG30
0930	67	RNG (1)	C	1	2	Range details

		Standard	Implementation	
Tag	Name	St Format	St Format	Usage / Remark
RNG				
6167	Range type code qualifier	M an..3	M an..3	12 Transport temperature range
C280	Range	C	M	
6411	Measurement unit code	M an..3	M an..3	CEL degree Celsius FAH degree Fahrenheit
6162	Range minimum value	C n..18	M n..18	
6152	Range maximum value	C n..18	M n..18	

Example:

RNG+12+CEL:9:9'

Counter	No	Tag	St	MaxOcc	Level	Name
0890		SG18 (1)	M	999	1	GID-TMP-RNG-LOC-PIA-FTX-SG20-SG23-SG24-SG27-SG30
0950	68	LOC (1)	C	9	2	Place/location identification

Stowage Position

		Standard	Implementation	
Tag	Name	St Format	St Format	Usage / Remark
LOC				
3227	Location function code qualifier	M an..3	M an..3	147 Stowage cell
C517	Location identification	C	C	
3225	Location name code	C an..25	C an..10	
1131	Code list identification code	C an..17	N	Not used
3055	Code list responsible agency code	C an..3	N	Not used
3224	Location name	C an..256	N	Not used
C519	Related location one identification	C	N	
3223	First related location name code	C an..25	N	Not used
1131	Code list identification code	C an..17	N	Not used
3055	Code list responsible agency code	C an..3	N	Not used
3222	First related location name	C an..70	N	Not used
C553	Related location two identification	C	N	
3233	Second related location name code	C an..25	N	Not used
1131	Code list identification code	C an..17	N	Not used
3055	Code list responsible agency code	C an..3	N	Not used
3232	Second related location name	C an..70	N	Not used
5479	Relation code	C an..3	N	Not used

Example:

LOC+147+X'

Counter	No	Tag	St	MaxOcc	Level	Name
0890		SG18 (1)	M	999	1	GID-TMP-RNG-LOC-PIA-FTX-SG20-SG23-SG24-SG27-SG30
0970	69	PIA (1)	D	1	2	Commodity code

For Japan applies:
The specification of qualifier in 4347 is mandatory.

Standard			Implementation	
Tag	Name	St Format	St Format	Usage / Remark
PIA				
4347	Product identifier code qualifier	M an..3	M an..3	5 Product identification <i>Description:</i> <i>Description:</i> For Japan applies: Mandatory field. To be specified in format an..6
C212	Item number identification	M	M	
7140	Item identifier	C an..35	C n..10	<i>Description:</i> If no Goods Description is given, the commodity code has to be provided. At least the first four digits of the code must be provided. By following this link you can search for the code you need: Code list: TARIC code table; available from: https://ec.europa.eu/taxation_customs/business/calculation-customs-duties/what-is-common-customs-tariff/taric_en
7143	Item type identification code	C an..3	C an..3	HS Harmonised system
1131	Code list identification code	C an..17	N	Not used
3055	Code list responsible agency code	C an..3	N	Not used
C212	Item number identification	C	N	
7140	Item identifier	C an..35	N	Not used
7143	Item type identification code	C an..3	N	Not used
1131	Code list identification code	C an..17	N	Not used
3055	Code list responsible agency code	C an..3	N	Not used
C212	Item number identification	C	N	
7140	Item identifier	C an..35	N	Not used
7143	Item type identification code	C an..3	N	Not used
1131	Code list identification code	C an..17	N	Not used
3055	Code list responsible agency code	C an..3	N	Not used
C212	Item number identification	C	N	
7140	Item identifier	C an..35	N	Not used
7143	Item type identification code	C an..3	N	Not used
1131	Code list identification code	C an..17	N	Not used
3055	Code list responsible agency code	C an..3	N	Not used
C212	Item number identification	C	N	
7140	Item identifier	C an..35	N	Not used

7143	Item type identification code	C an..3	N	Not used
1131	Code list identification code	C an..17	N	Not used
3055	Code list responsible agency code	C an..3	N	Not used

Example:

PIA+5+1234:HS'

Counter	No	Tag	St	MaxOcc	Level	Name
0890		SG18 (1)	M	999	1	GID-TMP-RNG-LOC-PIA-FTX-SG20-SG23-SG24-SG27-SG30
0980	70	FTX (1)	D	1	2	Goods Description

For Japan applies:
Mandatory field, to be specified in format an..350.

Standard			Implementation	
Tag	Name	St Format	St Format	Usage / Remark
FTX				
4451	Text subject code qualifier	M an..3	M an..3	AAA Goods description
4453	Free text function code	C an..3	N	Not used
C107	Text reference	C	N	
4441	Free text value code	M an..17	N	Not used
1131	Code list identification code	C an..17	N	Not used
3055	Code list responsible agency code	C an..3	N	Not used
C108	Text literal	C	M	
4440	Free text value	M an..512	M an..512	Field in ICS: Goods Description
4440	Free text value	C an..512	N	Not used
4440	Free text value	C an..512	N	Not used
4440	Free text value	C an..512	N	Not used
4440	Free text value	C an..512	N	Not used
3453	Language name code	C an..3	C a2	Field in ICS: Goods Description, Language Code Description: Declarations to Belgium customs need to contain the two-digit language code, describing the language used for the goods description Description:
4447	Free text format code	C an..3	N	Not used

Example:
FTX+AAA+++GOODS DESCRIPTION+EN'

Counter	No	Tag	St	MaxOcc	Level	Name
0890		SG18 (1)	M	999	1	GID-TMP-RNG-LOC-PIA-FTX-SG20-SG23-SG24-SG27-SG30
0980	71	FTX (2)	D	9	2	Customs Status

Standard			Implementation	
Tag	Name	St Format	St Format	Usage / Remark
FTX				
4451	Text subject code qualifier	M an..3	M an..3	AAH Customs information
4453	Free text function code	C an..3	R an..3	Description: Customs status of goods - Used for Entry Summary Declarations to Finnish customs Description: C Community Goods T1 Simplified external transit procedure by sea and air TF Goods placed under the internal community transit procedure in accordance with Art. 340c (1) X Community goods to be exported TD Goods already placed under transit or other customs procedure F Goods for which the community status can be demonstrated, consigned to or originating in a part of the community customs territory where the provisions of directive 77/388/EEC do not apply N All other goods
C107	Text reference	C	N	
4441	Free text value code	M an..17	N	Not used
1131	Code list identification code	C an..17	N	Not used
3055	Code list responsible agency code	C an..3	N	Not used
C108				
4440	Free text value	M an..512	N	Not used
4440	Free text value	C an..512	N	Not used
4440	Free text value	C an..512	N	Not used
4440	Free text value	C an..512	N	Not used
4440	Free text value	C an..512	N	Not used
3453	Language name code	C an..3	N	Not used
4447	Free text format code	C an..3	N	Not used

Example:
FTX+AAH+N'

Counter	No	Tag	St	MaxOcc	Level	Name
1040		SG20 (1)	D	1	2	MEA
1050	72	MEA (1)	M	1	2	Gross Weight (Goods Item Level)

Optional if SpecificCircumstanceIndicator on header level is set to 'E'. Mandatory otherwise.

Standard			Implementation	
Tag	Name	St Format	St Format	Usage / Remark
MEA				
6311	Measurement purpose code qualifier	M an..3	M an..3	AAE Measurement
C502	Measurement details	C	M	
6313	Measured attribute code	C an..3	M an..3	G Gross weight
6321	Measurement significance code	C an..3	N	Not used
6155	Non-discrete measurement name code	C an..17	N	Not used
6154	Non-discrete measurement name	C an..70	N	Not used
C174 Value/range				
6411	Measurement unit code	M an..3	M an..3	KGM kilogram
6314	Measurement value	C an..18	M an..11	Description: Gross weight of the goods, including packaging and other material. Format: 11 digits, incl. up to 3 fractionals. Field in ICS: Goods Item / Gross Mass
6162	Range minimum value	C n..18	N	Not used
6152	Range maximum value	C n..18	N	Not used
6432	Significant digits quantity	C n..2	N	Not used
7383	Surface or layer code	C an..3	N	Not used

Example:

MEA+AAE+G+KGM:22500'

Counter	No	Tag	St	MaxOcc	Level	Name
1130		SG23 (1)	D	9	2	PCI
1140	73	PCI (1)	M	1	2	Marks & Numbers

For certain kinds of packages (currently VQ, VG, VL, VY, VR, VP, NE, NF und NG) or if the "SpecialCircumstanceIndicator" is used, this field is optional. Otherwise it is mandatory.

For Japan applies:

This field is mandatory.

		Standard	Implementation		
Tag	Name	St Format	St Format	Usage / Remark	
PCI					
4233	Marking instructions code	C an..3	N	Not used	
C210	Marks & labels	C	R		
7102	Shipping marks description	M an..35	R an..35	Description: Marks & Numbers, Part 1 Field in ICS: Goods Item / Marks & Numbers of Packages ICS remarks: Note: Only the first 140 char of the elements 7102 will be mapped into the ENS declaration	
7102	Shipping marks description	C an..35	C an..35	Description: Marks & Numbers, Part 2 Field in ICS: Goods Item / Marks & Numbers of Packages	
7102	Shipping marks description	C an..35	C an..35	Description: Marks & Numbers, Part 3 Field in ICS: Goods Item / Marks & Numbers of Packages	
7102	Shipping marks description	C an..35	C an..35	Description: Marks & Numbers, Part 4 Field in ICS: Goods Item / Marks & Numbers of Packages	
7102	Shipping marks description	C an..35	N	Not used	
7102	Shipping marks description	C an..35	N	Not used	
7102	Shipping marks description	C an..35	N	Not used	
7102	Shipping marks description	C an..35	N	Not used	
7102	Shipping marks description	C an..35	N	Not used	
7102	Shipping marks description	C an..35	N	Not used	
8275	Container or package contents indicator code	C an..3	N	Not used	
C827	Type of marking	C	C		
7511	Marking type code	M an..3	M a2	Field in ICS: Goods Item / Marks & Numbers of Packages, Language Code Description: Declarations to Belgium customs need to contain the two-digit language code, describing the language used for Marks & Numbers	
1131	Code list identification code	C an..17	N	Not used	
3055	Code list responsible agency code	C an..3	N	Not used	

Example:

PCI+X:X:X:X+EN'

Counter	No	Tag	St	MaxOcc	Level	Name
1180		SG24 (1)	D	99	2	DOC
1190	74	DOC (1)	M	1	2	Produced Documents / Certificates

If the ENS is lodged by another party than the Carrier, then the transport document (e.g. Master B/L) of the Carrier should be declared, if available.

If the SpecificCircumstanceIndicator on header level is set to "E" then a transport document must be provided at least for the first goods item.

If no CommercialReferenceNumber is provided on header level nor for this goods item, at least one transport document reference must be provided.

		Standard	Implementation	
Tag	Name	St Format	St Format	Usage / Remark
DOC				
C002	Document/message name	M	M	
1001	Document name code	C an..3	N	Not used
1131	Code list identification code	C an..17	N	Not used
3055	Code list responsible agency code	C an..3	N	Not used
1000	Document name	C an..35	C an..4	Field in ICS: Transport Document / Document Type Description: Coding for document type. Allowed codes are specified in EAS codelist C0013 - Document Type (Common).
C503	Document/message details	C	C	
1004	Document identifier	C an..35	C an..35	Field in ICS: Transport Document / Document Reference
1373	Document status code	C an..3	N	Not used
1366	Document source description	C an..70	N	Not used
3453	Language name code	C an..3	N	Not used
1056	Version identifier	C an..9	N	Not used
1060	Revision identifier	C an..6	N	Not used
3153	Communication medium type code	C an..3	N	Not used
1220	Document copies required quantity	C n..2	N	Not used
1218	Document originals required quantity	C n..2	N	Not used

Example:

DOC+:::N704+ABCD2106468740X'

Counter	No	Tag	St	MaxOcc	Level	Name
1260		SG27 (1)	D	999	2	SGP
1270	75	SGP (1)	M	1	2	Container Numbers

Standard			Implementation	
Tag	Name	St Format	St Format	Usage / Remark
SGP				
C237	Equipment identification	M	M	
8260	Equipment identifier	C an..17	M an..17	Field in ICS: Goods Item / CONTAINERS Container number
1131	Code list identification code	C an..17	N	Not used
3055	Code list responsible agency code	C an..3	N	Not used
3207	Country name code	C an..3	N	Not used
7224	Package quantity	C n..8	O n..5	Description: Number of packages allocated to this container Description:

Example:

SGP+CARR3322115+9'

Counter	No	Tag	St	MaxOcc	Level	Name
1410		SG30 (1)	C	5	2	DGS-FTX
For declarations in Japan 5 repetitions are allowed, for all other countries the repetition is 1						
1420	76	DGS (1)	M	1	2	DG Information

		Standard	Implementation	
Tag	Name	St Format	St Format	Usage / Remark
DGS				
8273	Dangerous goods regulations code	C an..3	C an..3	IMD IMO IMDG code
C205	Hazard code	C	C	
8351	Hazard identification code	M an..7	M an..7	Description: DG Code
8078	Additional hazard classification identifier	C an..7	N	Not used
8092	Hazard code version identifier	C an..10	N	Not used
C234	UNDG information	C	M	
7124	United Nations Dangerous Goods (UNDG) identifier	C n4	M n4	Field in ICS: UN dangerous goods code ICS remarks: Has to be filled in in case of DG Description: UNDG Code - The United Nations Dangerous Goods Identifier (UNDG) is the unique serial number (n4) assigned within the United Nations to dangerous substances and articles. This element shall be provided where it is relevant.
7088	Dangerous goods flashpoint value	C an..8	N	Not used
C223	Dangerous goods shipment flashpoint	C	C	
7106	Shipment flashpoint value	C n3	C n3	Description: Flashpoint
6411	Measurement unit code	C an..3	C an..3	CEL degree Celsius FAH degree Fahrenheit
8339	Packaging danger level code	C an..3	C an..3	Description: Packing Group Description:
8364	Emergency procedure for ships identifier	C an..6	N	Not used
8410	Hazard medical first aid guide identifier	C an..4	N	Not used
8126	Transport emergency card identifier	C an..10	N	Not used
C235	Hazard identification placard details	C	N	
8158	Orange hazard placard upper part identifier	C an..4	N	Not used
8186	Orange hazard placard lower part identifier	C an4	N	Not used
C236	Dangerous goods label	C	N	
8246	Dangerous goods marking identifier	C an..4	N	Not used
8246	Dangerous goods marking identifier	C an..4	N	Not used
8246	Dangerous goods marking identifier	C an..4	N	Not used

8255	Packing instruction type code	C an..3	N	Not used
8325	Hazardous means of transport category code	C an..3	N	Not used
8211	Hazardous cargo transport authorisation code	C an..3	N	Not used

Example:

DGS+IMD+3+9999+999:CEL+1'

Counter	No	Tag	St	MaxOcc	Level	Name
1410		SG30 (1)	C	5	2	DGS-FTX
1430	77	FTX (1)	C	1	3	Free text

Standard			Implementation	
Tag	Name	St Format	St Format	Usage / Remark
FTX				
4451	Text subject code qualifier	M an..3	M an..3	AAD Dangerous goods, technical name
4453	Free text function code	C an..3	N	Not used
C107	Text reference	C	N	
4441	Free text value code	M an..17	N	Not used
1131	Code list identification code	C an..17	N	Not used
3055	Code list responsible agency code	C an..3	N	Not used
C108	Text literal	C	C	
4440	Free text value	M an..512	M an..70	Description: DG Technical Name
4440	Free text value	C an..512	C an..70	
4440	Free text value	C an..512	C an..70	
4440	Free text value	C an..512	C an..70	
4440	Free text value	C an..512	C an..70	
3453	Language name code	C an..3	N	Not used
4447	Free text format code	C an..3	N	Not used

Example:

FTX+AAD+++X:X:X:X'

Counter	No	Tag	St	MaxOcc	Level	Name
1550		SG35 (1)	C	999	1	EQD-MEA-DIM-SEL-TPL-FTX-RFF-SG37
1560	78	EQD (1)	M	1	1	Container Information

Standard			Implementation	
Tag	Name	St Format	St Format	Usage / Remark
EQD				
8053	Equipment type code qualifier	M an..3	M an..3	CN Container
C237	Equipment identification	C	M	
8260	Equipment identifier	C an..17	M an..17	Description: Container Number
1131	Code list identification code	C an..17	N	Not used
3055	Code list responsible agency code	C an..3	N	Not used
3207	Country name code	C an..3	N	Not used
C224	Equipment size and type	C	C	
8155	Equipment size and type description code	C an..10	C an..10	Description: Container SizeType (accd. ISO) - mandatory for ENS to Dutch customs
1131	Code list identification code	C an..17	N	Not used
3055	Code list responsible agency code	C an..3	N	Not used
8154	Equipment size and type description	C an..35	N	Not used
8077	Equipment supplier code	C an..3	C an..3	1 Shipper supplied 2 Carrier supplied 3 Consolidator supplied 4 Deconsolidator supplied 5 Third party supplied Description: Shipper's Own Indicator, the codes 3, 4, 5 are only allowed for advance filing rules Japan Description:
8249	Equipment status code	C an..3	N	Not used
8169	Full or empty indicator code	C an..3	C an..3	4 Empty 5 Full Description: Full/Empty Indicator - Recommended for ENS to Dutch customs. "5" will be assumed if no value is sent. Description: Description: For Japan applies: Description: This field is mandatory, only the value "5" is allowed

Example:

EQD+CN+CARR3322115+22G0+1++4'

Counter	No	Tag	St	MaxOcc	Level	Name
1550		SG35 (1)	C	999	1	EQD-MEA-DIM-SEL-TPL-FTX-RFF-SG37
1590	79	MEA (1)	C	1	2	Measurements

Standard			Implementation	
Tag	Name	St Format	St Format	Usage / Remark
MEA				
6311	Measurement purpose code qualifier	M an..3	M an..3	AAE Measurement
C502	Measurement details	C	C	
6313	Measured attribute code	C an..3	C an..3	T Tare weight
6321	Measurement significance code	C an..3	N	Not used
6155	Non-discrete measurement name code	C an..17	N	Not used
6154	Non-discrete measurement name	C an..70	N	Not used
C174	Value/range	C	C	
6411	Measurement unit code	M an..3	M an..3	KGM kilogram
6314	Measurement value	C an..18	C an..18	Description: Container tare weight
6162	Range minimum value	C n..18	N	Not used
6152	Range maximum value	C n..18	N	Not used
6432	Significant digits quantity	C n..2	N	Not used
7383	Surface or layer code	C an..3	N	Not used

Example:

MEA+AAE+T+KGM:4000'

Counter	No	Tag	St	MaxOcc	Level	Name
1550		SG35 (1)	C	999	1	EQD-MEA-DIM-SEL-TPL-FTX-RFF-SG37
1600	80	DIM (1)	C	1	2	Dimensions

Off dimension information

		Standard	Implementation	
Tag	Name	St Format	St Format	Usage / Remark
DIM				
6145	Dimension type code qualifier	M an..3	M an..3	9 Off-standard dimension general
C211	Dimensions	M	M	
6411	Measurement unit code	M an..3	M an..3	CMT centimetre
6168	Length dimension value	C n..15	C n..4	<i>Description:</i> Length
6140	Width dimension value	C n..15	C n..4	<i>Description:</i> Width
6008	Height dimension value	C n..15	C n..4	<i>Description:</i> Height

Example:

DIM+9+CMT:9:9:9'

Counter	No	Tag	St	MaxOcc	Level	Name
1550		SG35 (1)	C	999	1	EQD-MEA-DIM-SEL-TPL-FTX-RFF-SG37
1610	81	SEL (1)	C	99	2	Seal IDs

Standard			Implementation	
Tag	Name	St Format	St Format	Usage / Remark
SEL				
9308	Seal identifier	C an..35	C an..20	Field in ICS: SEALS ID Seals identity Description: Seal Number Description:
C215	Seal issuer	C	M	
9303	Sealing party name code	C an..3	C an..3	AB Unknown Description: Seal issuer. Currently, only code AB for "unknown" is allowed
1131	Code list identification code	C an..17	N	Not used
3055	Code list responsible agency code	C an..3	N	Not used
9302	Sealing party name	C an..35	N	Not used
4517	Seal condition code	C an..3	N	Not used
C208	Identity number range	C	N	
7402	Object identifier	M an..35	N	Not used
7402	Object identifier	C an..35	N	Not used

Example:

SEL+1210404+AB'

Counter	No	Tag	St	MaxOcc	Level	Name
1550		SG35 (1)	C	999	1	EQD-MEA-DIM-SEL-TPL-FTX-RFF-SG37
1620	82	TPL (1)	O	1	2	Transport placement

Standard			Implementation	
Tag	Name	St Format	St Format	Usage / Remark
TPL				
C222	Transport identification	M	M	
8213	Transport means identification name identifier	C an..9	M an..9	BARGE RAIL SEA TRUCK <i>Description:</i> On carriage transport mode
1131	Code list identification code	C an..17	N	Not used
3055	Code list responsible agency code	C an..3	N	Not used
8212	Transport means identification name	C an..35	N	Not used
8453	Transport means nationality code	C an..3	N	Not used

Example:
TPL+SEA'

Counter	No	Tag	St	MaxOcc	Level	Name
1550		SG35 (1)	C	999	1	EQD-MEA-DIM-SEL-TPL-FTX-RFF-SG37
1650	83	FTX (1)	C	1	2	Free text

Standard			Implementation	
Tag	Name	St Format	St Format	Usage / Remark
FTX				
4451	Text subject code qualifier	M an..3	M an..3	ACQ Off-dimension information
4453	Free text function code	C an..3	N	Not used
C107	Text reference	C	N	
4441	Free text value code	M an..17	M an..17	
1131	Code list identification code	C an..17	N	Not used
3055	Code list responsible agency code	C an..3	N	Not used
C108	Text literal	C	C	
4440	Free text value	M an..512	M an..512	Description: Textual information about oversized equipment
4440	Free text value	C an..512	N	Not used
4440	Free text value	C an..512	N	Not used
4440	Free text value	C an..512	N	Not used
4440	Free text value	C an..512	N	Not used
3453	Language name code	C an..3	N	Not used
4447	Free text format code	C an..3	N	Not used

Example:

FTX+ACQ+++X'

Counter	No	Tag	St	MaxOcc	Level	Name
1550		SG35 (1)	C	999	1	EQD-MEA-DIM-SEL-TPL-FTX-RFF-SG37
1660	84	RFF (1)	O	9	2	Reference

		Standard	Implementation	
Tag	Name	St Format	St Format	Usage / Remark
RFF				
C506	Reference	M	M	
1153	Reference code qualifier	M an..3	M an..3	CRN Conveyance reference number
1154	Reference identifier	C an..70	C an..70	
1156	Document line identifier	C an..6	N	Not used
4000	Reference version identifier	C an..35	N	Not used
1060	Revision identifier	C an..6	N	Not used

Example:

RFF+CRN:ABCD0001W'

Counter	No	Tag	St	MaxOcc	Level	Name
1550		SG35 (1)	C	999	1	EQD-MEA-DIM-SEL-TPL-FTX-RFF-SG37
1660	85	RFF (2)	C	9	2	Reference

Standard			Implementation	
Tag	Name	St Format	St Format	Usage / Remark
RFF				
C506	Reference	M	M	
1153	Reference code qualifier	M an..3	M an..3	BN Booking reference number
1154	Reference identifier	C an..70	M an..35	Description: Carrier's booking reference
1156	Document line identifier	C an..6	N	Not used
4000	Reference version identifier	C an..35	N	Not used
1060	Revision identifier	C an..6	N	Not used

Example:

RFF+BN:HKG10X00102'

Counter	No	Tag	St	MaxOcc	Level	Name
---------	----	-----	----	--------	-------	------

1750 **SG37 (1)** C 1 2 **NAD**

Segment Group 37 is only used when sending IFTMCS data to Portbase

1760 86 **NAD (1)** M 1 2 **Name and address**

Standard			Implementation	
Tag	Name	St Format	St Format	Usage / Remark
NAD				
3035	Party function code qualifier	M an..3	M an..3	CR Empty equipment return party
C082	Party identification details	C	N	
3039	Party identifier	M an..35	N	Not used
1131	Code list identification code	C an..17	N	Not used
3055	Code list responsible agency code	C an..3	N	Not used
C058	Name and address	C	C	
3124	Name and address description	M an..35	M an..35	
3124	Name and address description	C an..35	C an..35	
3124	Name and address description	C an..35	C an..35	
3124	Name and address description	C an..35	C an..35	
3124	Name and address description	C an..35	C an..35	
C080	Party name	C	N	
3036	Party name	M an..35	N	Not used
3036	Party name	C an..35	N	Not used
3036	Party name	C an..35	N	Not used
3036	Party name	C an..35	N	Not used
3036	Party name	C an..35	N	Not used
3045	Party name format code	C an..3	N	Not used
C059	Street	C	N	
3042	Street and number or post office box identifier	M an..35	N	Not used
3042	Street and number or post office box identifier	C an..35	N	Not used
3042	Street and number or post office box identifier	C an..35	N	Not used
3042	Street and number or post office box identifier	C an..35	N	Not used
3164	City name	C an..35	N	Not used
C819	Country sub-entity details	C	N	
3229	Country sub-entity name code	C an..9	N	Not used
1131	Code list identification code	C an..17	N	Not used
3055	Code list responsible agency code	C an..3	N	Not used
3228	Country sub-entity name	C an..35	N	Not used
3251	Postal identification code	C an..17	N	Not used
3207	Country name code	C an..3	N	Not used

Example:

NAD+CR++X:X:X:X'

Counter	No	Tag	St	MaxOcc	Level	Name
---------	----	-----	----	--------	-------	------

1750 **SG37 (2)** C 1 2 **NAD**

Container Operator

1760 87 **NAD (1)** M 1 2 **Name and address**

Standard			Implementation	
Tag	Name	St Format	St Format	Usage / Remark
NAD				
3035	Party function code qualifier	M an..3	M an..3	CF Container operator/lessee
C082	Party identification details	C	N	
3039	Party identifier	M an..35	N	Not used
1131	Code list identification code	C an..17	N	Not used
3055	Code list responsible agency code	C an..3	N	Not used
C058	Name and address	C	C	
3124	Name and address description	M an..35	M an..35	<i>Description:</i> Empty container return depot
3124	Name and address description	C an..35	N	Not used
3124	Name and address description	C an..35	N	Not used
3124	Name and address description	C an..35	N	Not used
3124	Name and address description	C an..35	N	Not used
C080	Party name	C	N	
3036	Party name	M an..35	N	Not used
3036	Party name	C an..35	N	Not used
3036	Party name	C an..35	N	Not used
3036	Party name	C an..35	N	Not used
3036	Party name	C an..35	N	Not used
3045	Party name format code	C an..3	N	Not used
C059	Street	C	N	
3042	Street and number or post office box identifier	M an..35	N	Not used
3042	Street and number or post office box identifier	C an..35	N	Not used
3042	Street and number or post office box identifier	C an..35	N	Not used
3042	Street and number or post office box identifier	C an..35	N	Not used
3164	City name	C an..35	N	Not used
C819	Country sub-entity details	C	N	
3229	Country sub-entity name code	C an..9	N	Not used
1131	Code list identification code	C an..17	N	Not used
3055	Code list responsible agency code	C an..3	N	Not used
3228	Country sub-entity name	C an..35	N	Not used
3251	Postal identification code	C an..17	N	Not used
3207	Country name code	C an..3	N	Not used

Example:

NAD+CF++X'

Counter	No	Tag	St	MaxOcc	Level	Name
1870	88	UNT (1)	M	1	0	Message trailer

		Standard	Implementation	
Tag	Name	St Format	St Format	Usage / Remark
UNT				
0074	Number of segments in the message	M n..6	M n..6	
0062	Message reference number	M an..14	M an..14	

Example:

UNT+76+20100122171055'

Counter	No	Tag	St	MaxOcc	Level	Name
0000	89	UNZ (1)	M	1	0	Interchange trailer

Standard			Implementation	
Tag	Name	St Format	St Format	Usage / Remark
UNZ				
0036	Interchange control count	M n..6	M n..6	
0020	Interchange control reference	M an..14	M an..14	

Example:

UNZ+1+20140123100000'

9 Further information on ICS / ECS

On the EU's web site, a number of documents describe the specifics of ICS and ECS. Along with some FAQ documents, one can also find examples how to handle certain scenarios such as slot-chartering agreements or short shipped containers:

http://ec.europa.eu/ecip/security_amendment/procedures/index_en.htm

Another web site contains the original text of the Annex 30a, a document describing the changes to the EU customs codex which form the basis for the ICS and ECS regulations:

<http://eur-lex.europa.eu/LexUriServ/LexUriServ.do?uri=OJ:L:2006:360:0064:0125:EN:PDF>