

# IMP

# APERAK

## Functional response message Business Integration for the Port of Hamburg


Message Implementation Guide  
Version 1.3/E

(Valid from April 2011)

**DAKOSY**  
Datenkommunikationssystem AG

Mattentwiete 2  
20457 Hamburg  
[www.dakosy.de](http://www.dakosy.de)

Phone: + 49 40 37003 - 0  
Fax: + 49 40 37003 - 370  
[info@dakosy.de](mailto:info@dakosy.de)

|  |                     |   |
|--|---------------------|---|
| <b>DAKOSY</b><br><u>Datenkommunikationssystem AG</u> | <b>IMP – APERAK</b> |  |
|--|---------------------|---|

## Change History

| Version | Concerned section | Reason                               | Name     | Datum      |
|---------|-------------------|--------------------------------------|----------|------------|
| 1.1     |                   | First English version                | Blanken  | 2010-10-27 |
| 1.2     |                   | Added B/L-no with RFF+BM             | Schwanke | 2011-01-04 |
| 1.3     |                   | Segment RFF with qualifier ANK added | Dietrich | 2011-05-13 |

## Change requests

### DAKOSY

### Datenkommunikationssystem AG

Mattentwiete 2

20457 Hamburg

1. Phone: + 49 40 37003 - 0
2. Fax: + 49 40 37003 - 370
3. Email: info@dakosy.de

## Used tools

| Number | Used tools   |
|--------|--|
| W1     | This document was created with the word processing programme <b>MS Word 2010</b> . |

## Applicable documents

The EDI manual “General Part” provides descriptions about main principles established for each data interchange via DAKOSY. The definitions set out therein, the customer’s cooperation duties as well as the basis of the communication process also apply for the interface described in the manual at hand.

**Table of contents**

|   |           |
|---|-----------|
| <b>1 Responses Messages in IMP .....</b>    | <b>4</b>  |
| <b>2 Message content of responses .....</b> | <b>4</b>  |
| <b>3 Message Structure .....</b>            | <b>5</b>  |
| <b>4 Branching Diagram .....</b>            | <b>6</b>  |
| <b>5 Segment Description .....</b>          | <b>11</b> |

## 1 Responses Messages in IMP

Similar to other EDI systems at DAKOSY; IMP features acknowledgment messages to confirm the receipt and processing status to the sender of an EDI message.

Within the Import Message Platform, these response messages have a special function when confirming the receipt of an Import Operation Instruction from the forwarder, informing him about the IMP reference number assigned to his instruction message.

IMP offers response messages in two different formats, either as an XML messages (type „Resopnse“) or an EDIFACT message of type „APERAK“. The response message will always be generated in accordance of the message acknowledged, i.e. inbound EDIFACT messages will be acknowledged with an APERAK whereas inbound XML messages will be acknowledges with an XML

This implementation guide describes the **EDIFACT APERAK**.

## 2 Message content of responses

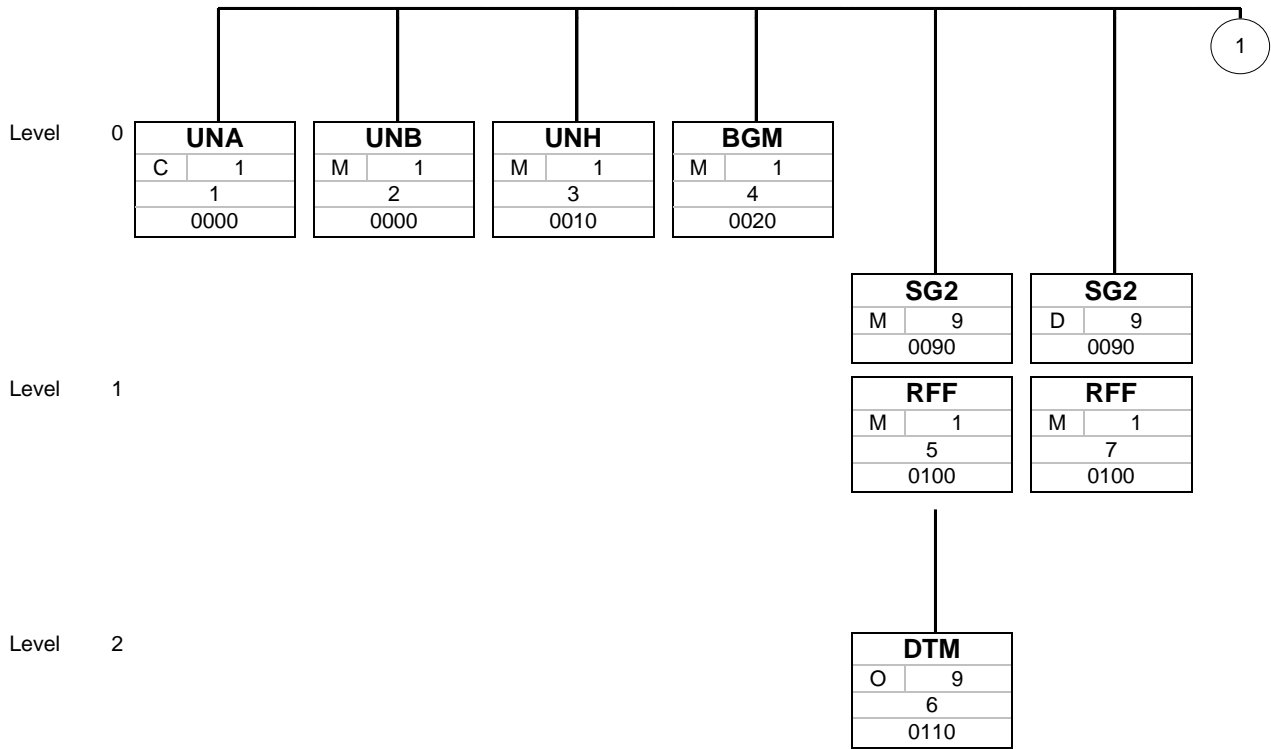
Response messages sent from IMP contain following data items:

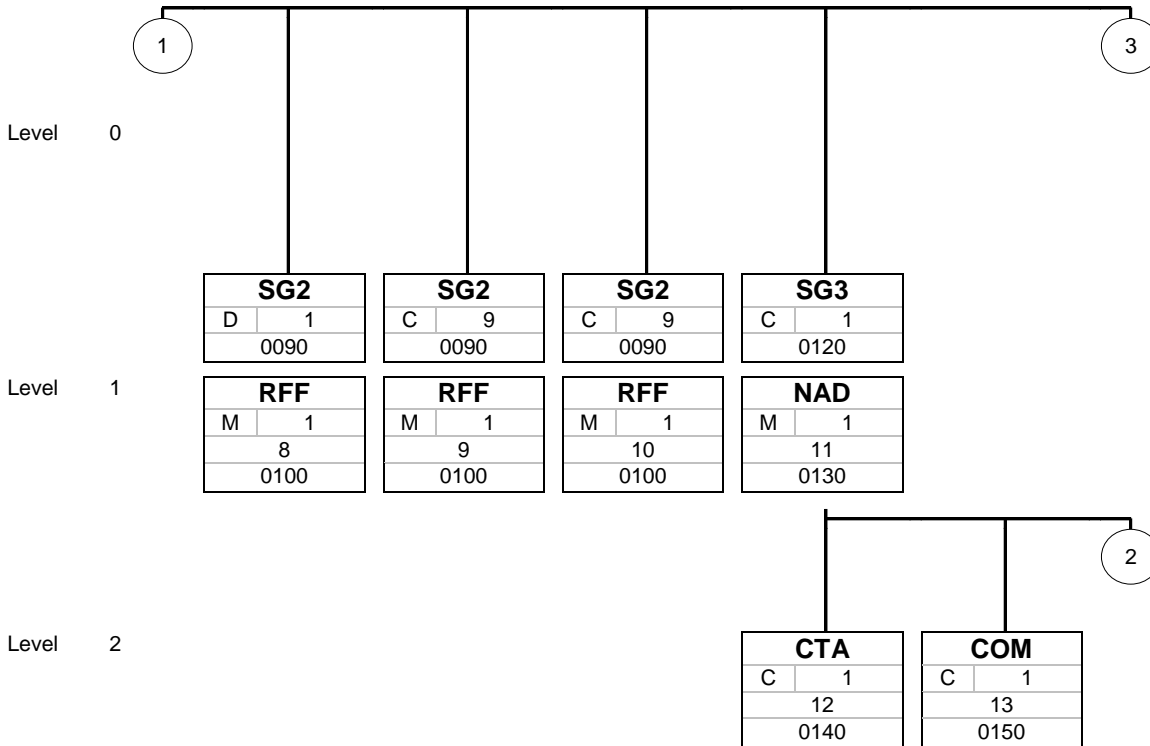
- Reference number („Message Reference Number“) of the message which is being responded.
- Creation date of the message which is being responded.
- One or several additional references (e.g. IMP reference of the relevant process)
- (Optional) Technical contact person in case of questions concerning the response message
- Error code and message (Note: The list of error codes is published separately at <http://www.imp-hamburg.de>)
- Further error information / Error description

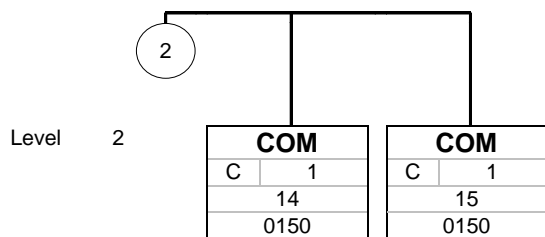
### 3 Message Structure

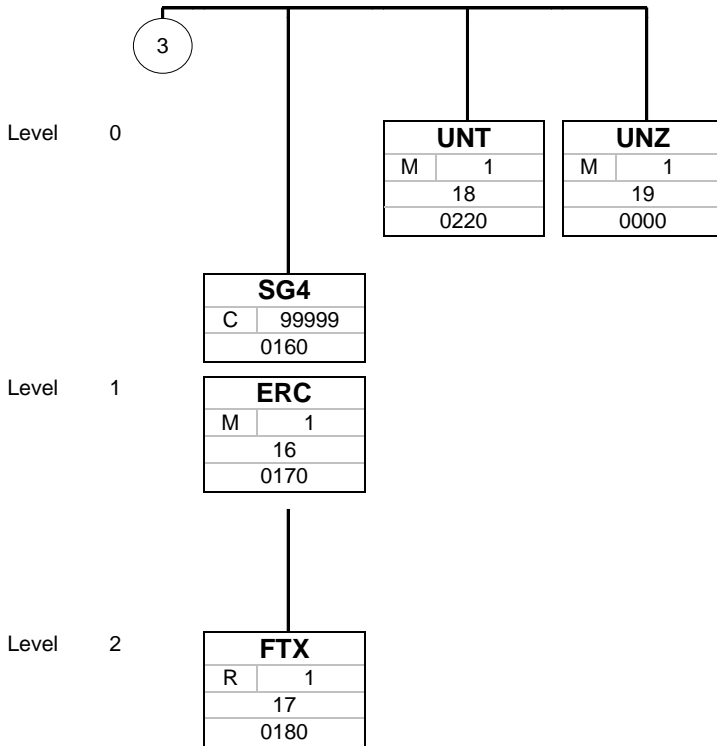
| Counte | No   | Tag           | St | MaxOcc | Level | Content                                   |
|--------|------|---------------|----|--------|-------|---|
|        | 0000 | 1 <b>UNA</b>  | C  | 1      | 0     | Service string advice                     |
|        | 0000 | 2 <b>UNB</b>  | M  | 1      | 0     | Interchange header                        |
|        | 0010 | 3 <b>UNH</b>  | M  | 1      | 0     | Message header                            |
|        | 0020 | 4 <b>BGM</b>  | M  | 1      | 0     | Beginning of message                      |
|        | 0090 | <b>SG2</b>    | M  | 9      | 1     | RFF-DTM                                   |
|        | 0100 | 5 <b>RFF</b>  | M  | 1      | 1     | Reference number of the original message. |
|        | 0110 | 6 <b>DTM</b>  | O  | 9      | 2     | Date of receipt of the original message   |
|        | 0090 | <b>SG2</b>    | D  | 9      | 1     | Additional Reference(s)                   |
|        | 0100 | 7 <b>RFF</b>  | M  | 1      | 1     | Additional Reference(s)                   |
|        | 0090 | <b>SG2</b>    | D  | 1      | 1     | RFF                                       |
|        | 0100 | 8 <b>RFF</b>  | M  | 1      | 1     | Additional Reference (IFTMCS only)        |
|        | 0090 | <b>SG2</b>    | C  | 9      | 1     | B/L-Number                                |
|        | 0100 | 9 <b>RFF</b>  | M  | 1      | 1     | B/L-Number                                |
|        | 0090 | <b>SG2</b>    | C  | 9      | 1     | RFF                                       |
|        | 0100 | 10 <b>RFF</b> | M  | 1      | 1     | ANK reference                             |
|        | 0120 | <b>SG3</b>    | C  | 1      | 1     | Contact person at the APERAK's sender     |
|        | 0130 | 11 <b>NAD</b> | M  | 1      | 1     | Name and address                          |
|        | 0140 | 12 <b>CTA</b> | C  | 1      | 2     | Contact information                       |
|        | 0150 | 13 <b>COM</b> | C  | 1      | 2     | Phone Number                              |
|        | 0150 | 14 <b>COM</b> | C  | 1      | 2     | E-Mail Address                            |
|        | 0150 | 15 <b>COM</b> | C  | 1      | 2     | Telefax                                   |
|        | 0160 | <b>SG4</b>    | C  | 99999  | 1     | ERC-FTX                                   |
|        | 0170 | 16 <b>ERC</b> | M  | 1      | 1     | Application error information             |
|        | 0180 | 17 <b>FTX</b> | R  | 1      | 2     | Error Description                         |
|        | 0220 | 18 <b>UNT</b> | M  | 1      | 0     | Message trailer                           |
|        | 0000 | 19 <b>UNZ</b> | M  | 1      | 0     | Interchange trailer                       |

## **4 Branching Diagram**









## 5 Segment Description

| Counte | No | Name | St | MaxOcc | Ebene | Level |
|--------|----|------|----|--------|-------|-------|
|--------|----|------|----|--------|-------|-------|

|      |   |                  |   |   |   |                       |
|------|---|------------------|---|---|---|-----------------------|
| 0000 | 1 | <b>UNA</b> ( 1 ) | C | 1 | 0 | Service string advice |
|------|---|------------------|---|---|---|-----------------------|

| Standard |                                  |           | Implementation |                       |
|----------|----------------------------------|-----------|----------------|-----------------------|
| Bez      | Name                             | St Format | St Format      | Anwendung / Bemerkung |
| UNA      |                                  |           |                |                       |
| UNA1     | Component data element separator | M an1     | M an1          |                       |
| UNA2     | Data element separator           | M an1     | M an1          |                       |
| UNA3     | Decimal mark                     | M an1     | M an1          |                       |
| UNA4     | Release character                | M an1     | M an1          |                       |
| UNA5     | Repetition separator             | M an1     | M an1          |                       |
| UNA6     | Segment terminator               | M an1     | M an1          |                       |

**Example:**

UNA: + . ? ' '

| Counte | No | Name | St | MaxOcc | Ebene | Level |
|--------|----|------|----|--------|-------|-------|
|--------|----|------|----|--------|-------|-------|

|      |   |                  |   |   |   |                    |
|------|---|------------------|---|---|---|--------------------|
| 0000 | 2 | <b>UNB</b> ( 1 ) | M | 1 | 0 | Interchange header |
|------|---|------------------|---|---|---|--------------------|

| Standard |   |           | Implementation |                            |  |
|----------|---|-----------|----------------|----------------------------|--|
| Bez      | Name  | St Format | St Format      | Anwendung / Bemerkung      |  |
| UNB      |   |           |                |                            |  |
| S001     | Syntax identifier                                 | M         | M              |                            |  |
| 0001     | Syntax identifier                                 | M a4      | M a4           | <b>UNOC UN/ECE level C</b> |  |
| 0002     | Syntax version number                             | M an1     | M an1          | <b>3 Version 3</b>         |  |
| 0080     | Service code list directory version number        | C an..6   | N              | Not used                   |  |
| 0133     | Character encoding, coded                         | C an..3   | N              | Not used                   |  |
| S002     | Interchange sender                                | M         | M              |                            |  |
| 0004     | Interchange sender identification                 | M an..35  | M an..35       |                            |  |
| 0007     | Identification code qualifier                     | C an..4   | N              | Not used                   |  |
| 0008     | Interchange sender internal identification        | C an..35  | N              | Not used                   |  |
| 0042     | Interchange sender internal sub-identification    | C an..35  | N              | Not used                   |  |
| S003     | Interchange recipient                             | M         | M              |                            |  |
| 0010     | Interchange recipient identification              | M an..35  | M an..35       |                            |  |
| 0007     | Identification code qualifier                     | C an..4   | N              | Not used                   |  |
| 0014     | Interchange recipient internal identification     | C an..35  | N              | Not used                   |  |
| 0046     | Interchange recipient internal sub-identification | C an..35  | N              | Not used                   |  |
| S004     | Date and time of preparation                      | M         | M              |                            |  |
| 0017     | Date  | M n8      | M n8           |                            |  |
| 0019     | Time  | M n4      | M n4           |                            |  |
| 0020     | Interchange control reference                     | M an..14  | M an..14       |                            |  |
| S005     | Recipient reference/password details              | C         | N              |                            |  |
| 0022     | Recipient reference/password                      | M an..14  | N              | Not used                   |  |
| 0025     | Recipient reference/password qualifier            | C an2     | N              | Not used                   |  |
| 0026     | Application reference                             | C an..14  | N              | Not used                   |  |
| 0029     | Processing priority code                          | C a1      | N              | Not used                   |  |
| 0031     | Acknowledgement request                           | C n1      | N              | Not used                   |  |
| 0032     | Interchange agreement identifier                  | C an..35  | N              | Not used                   |  |
| 0035     | Test indicator                                    | C n1      | D n1           |                            |  |

**Example:**

UNB+UNOC:3+IMP+DKL+20130828:1049+3144+++++1'

| Counte | No | Name | St | MaxOcc | Ebene | Level |
|--------|----|------|----|--------|-------|-------|
|--------|----|------|----|--------|-------|-------|

0010 3 **UNH** ( 1 ) M 1 0 Message header

| Standard |   |           | Implementation |  |
|----------|---|-----------|----------------|--|
| Bez      | Name  | St Format | St Format      | Anwendung / Bemerkung  |
| UNH      |   |           |                |  |
| 0062     | Message reference number                        | M an..14  | M an..14       |  |
| S009     | Message identifier                              | M         | M              |  |
| 0065     | Message type                                    | M an..6   | M an..6        | <b>APERAK Application error and acknowledgement message</b>                |
| 0052     | Message version number                          | M an..3   | M an..3        | <b>D Draft version/UN/EDIFACT Directory</b>                                |
| 0054     | Message release number                          | M an..3   | M an..3        | <b>00B Release 2000 - B</b>  |
| 0051     | Controlling agency, coded                       | M an..3   | M an..3        | <b>UN UN/CEFACT</b>  |
| 0057     | Association assigned code                       | C an..6   | C an..6        | <b>IMP10 Import Message Platform</b><br><b>IMP20 IMP - Export Manifest</b> |
| 0110     | Code list directory version number              | C an..6   | N              | Not used   |
| 0113     | Message type sub-function identification        | C an..6   | N              | Not used   |
| 0068     | Common access reference                         | C an..35  | N              | Not used   |
| S010     | Status of the transfer                          | C         | N              |  |
| 0070     | Sequence of transfers                           | M n..2    | N              | Not used   |
| 0073     | First and last transfer                         | C a1      | N              | Not used   |
| S016     | Message subset identification                   | C         | N              |  |
| 0115     | Message subset identification                   | M an..14  | N              | Not used   |
| 0116     | Message subset version number                   | C an..3   | N              | Not used   |
| 0118     | Message subset release number                   | C an..3   | N              | Not used   |
| 0051     | Controlling agency, coded                       | C an..3   | N              | Not used   |
| S017     | Message implementation guideline identification | C         | N              |  |
| 0121     | Message implementation guideline identification | M an..14  | N              | Not used   |
| 0122     | Message implementation guideline version number | C an..3   | N              | Not used   |
| 0124     | Message implementation guideline release number | C an..3   | N              | Not used   |
| 0051     | Controlling agency, coded                       | C an..3   | N              | Not used   |
| S018     | Scenario identification                         | C         | N              |  |
| 0127     | Scenario identification                         | M an..14  | N              | Not used   |
| 0128     | Scenario version number                         | C an..3   | N              | Not used   |
| 0130     | Scenario release number                         | C an..3   | N              | Not used   |
| 0051     | Controlling agency, coded                       | C an..3   | N              | Not used   |

**Example:**

UNH+12407045+APERAK:D:00B:UN:IMP10'

|  |                     |   |
|--|---------------------|---|
| <b>DAKOSY</b><br><u>Datenkommunikationssystem AG</u> | <b>IMP – APERAK</b> |  |
|--|---------------------|---|

| Counte | No | Name | St | MaxOcc | Ebene | Level |
|--------|----|------|----|--------|-------|-------|
|--------|----|------|----|--------|-------|-------|

0020 4 **BGM** ( 1 ) M 1 0 Beginning of message

| Standard |                                   |           | Implementation |  |
|----------|-----------------------------------|-----------|----------------|--|
| Bez      | Name                              | St Format | St Format      | Anwendung / Bemerkung                    |
| BGM      |                                   |           |                |  |
| C002     | Document/message name             | C         | C              |  |
| 1001     | Document name code                | C an..3   | M an..3        | <b>313 Application error message</b>     |
| 1131     | Code list identification code     | C an..17  | N              | Not used                                 |
| 3055     | Code list responsible agency code | C an..3   | N              | Not used                                 |
| 1000     | Document name                     | C an..35  | N              | Not used                                 |
| C106     | Document/message identification   | C         | N              |  |
| 1004     | Document identifier               | C an..35  | N              | Not used                                 |
| 1056     | Version identifier                | C an..9   | N              | Not used                                 |
| 1060     | Revision identifier               | C an..6   | N              | Not used                                 |
| 1225     | Message function code             | C an..3   | M an..3        |  |
| 4343     | Response type code                | C an..3   | R an..3        | <b>AP Accepted</b><br><b>RE Rejected</b> |

**Example:**

BGM+313++9+AP'

| Counte | No | Name             | St | MaxOcc | Ebene | Level                                     |
|--------|----|------------------|----|--------|-------|---|
| 0090   |    | <b>SG2</b> ( 1 ) | M  | 9      | 1     | RFF-DTM                                   |
| 0100   | 5  | <b>RFF</b> ( 1 ) | M  | 1      | 1     | Reference number of the original message. |

| Standard |                              |           | Implementation |   |
|----------|------------------------------|-----------|----------------|---|
| Bez      | Name                         | St Format | St Format      | Anwendung / Bemerkung   |
| RFF      |                              |           |                |   |
| C506     | Reference                    | M         | M              |   |
| 1153     | Reference code qualifier     | M an..3   | M an..3        | <b>ACW Reference number to previous message</b>   |
| 1154     | Reference identifier         | C an..70  | M an..70       | Reference number of the original message (the message to which this response belongs). This is the "Message Reference Number" from segment BGM of the original message. |
| 1156     | Document line identifier     | C an..6   | N              | Not used  |
| 4000     | Reference version identifier | C an..35  | N              | Not used  |
| 1060     | Revision identifier          | C an..6   | N              | Not used  |

**Example:**

RFF+ACW:3667840'

| Counte | No | Name             | St | MaxOcc | Ebene | Level                                   |
|--------|----|------------------|----|--------|-------|---|
| 0090   |    | <b>SG2</b> ( 1 ) | M  | 9      | 1     | RFF-DTM                                 |
| 0110   | 6  | <b>DTM</b> ( 1 ) | O  | 9      | 2     | Date of receipt of the original message |

| Standard |  |           | Implementation |  |
|----------|--|-----------|----------------|--|
| Bez      | Name   | St Format | St Format      | Anwendung / Bemerkung  |
| DTM      |  |           |                |  |
| C507     | Date/time/period                               | M         | M              |  |
| 2005     | Date or time or period function code qualifier | M an..3   | M an..3        | <b>182 Issue date</b>  |
| 2380     | Date or time or period value                   | C an..35  | M an..35       | Receiving date of the original message to which this APERAK refers |
| 2379     | Date or time or period format code             | C an..3   | M an..3        | <b>203 CCYYMMDDHHMM</b>  |

**Example:**

DTM+182:201308121536:203'

| Counte | No | Name | St | MaxOcc | Ebene | Level |
|--------|----|------|----|--------|-------|-------|
|--------|----|------|----|--------|-------|-------|

|      |  |                  |   |   |   |                         |
|------|--|------------------|---|---|---|-------------------------|
| 0090 |  | <b>SG2</b> ( 2 ) | D | 9 | 1 | Additional Reference(s) |
|------|--|------------------|---|---|---|-------------------------|

|      |   |                  |   |   |   |                         |
|------|---|------------------|---|---|---|-------------------------|
| 0100 | 7 | <b>RFF</b> ( 1 ) | M | 1 | 1 | Additional Reference(s) |
|------|---|------------------|---|---|---|-------------------------|

| Standard |                              |           | Implementation |  |
|----------|------------------------------|-----------|----------------|--|
| Bez      | Name                         | St Format | St Format      | Anwendung / Bemerkung                              |
| RFF      |                              |           |                |  |
| C506     | Reference                    | M         | M              |  |
| 1153     | Reference code qualifier     | M an..3   | M an..3        | <b>IMP IMP Reference<br/>AES Primary reference</b> |
| 1154     | Reference identifier         | C an..70  | M an..70       |  |
| 1156     | Document line identifier     | C an..6   | N              | Not used   |
| 4000     | Reference version identifier | C an..35  | N              | Not used   |
| 1060     | Revision identifier          | C an..6   | N              | Not used   |

**Example:**

RFF+IMP:I08H12401365789401'

| Counte | No | Name | St | MaxOcc | Ebene | Level |
|--------|----|------|----|--------|-------|-------|
|--------|----|------|----|--------|-------|-------|

|      |  |                  |   |   |   |     |
|------|--|------------------|---|---|---|-----|
| 0090 |  | <b>SG2 ( 3 )</b> | D | 1 | 1 | RFF |
|------|--|------------------|---|---|---|-----|

|      |   |                  |   |   |   |   |
|------|---|------------------|---|---|---|---|
| 0100 | 8 | <b>RFF ( 1 )</b> | M | 1 | 1 | <b>Additional Reference (IFTMCS only)</b> |
|------|---|------------------|---|---|---|---|

| Standard |                              |           | Implementation |  |
|----------|------------------------------|-----------|----------------|--|
| Bez      | Name                         | St Format | St Format      | Anwendung / Bemerkung  |
| RFF      |                              |           |                |  |
| C506     | Reference                    | M         | M              |  |
| 1153     | Reference code qualifier     | M an..3   | R an..3        | <b>AGO Sender's reference to the original message</b>  |
| 1154     | Reference identifier         | C an..70  | M an..35       | When responding to an IFTMCS message, this field contains to the contents of segment FTX+MKS in the original IFTMCS. |
| 1156     | Document line identifier     | C an..6   | N              | Not used   |
| 4000     | Reference version identifier | C an..35  | N              | Not used   |
| 1060     | Revision identifier          | C an..6   | N              | Not used   |

**Example:**

RFF+AGO:DAXX5997170XXADCA173974'

| Counte | No | Name             | St | MaxOcc | Ebene | Level      |
|--------|----|------------------|----|--------|-------|------------|
| 0090   |    | <b>SG2</b> ( 4 ) | C  | 9      | 1     | B/L-Number |
| 0100   | 9  | <b>RFF</b> ( 1 ) | M  | 1      | 1     | B/L-Number |

| Standard |                              |           | Implementation |                                 |
|----------|------------------------------|-----------|----------------|---------------------------------|
| Bez      | Name                         | St Format | St Format      | Anwendung / Bemerkung           |
| RFF      |                              |           |                |                                 |
| C506     | Reference                    | M         | M              |                                 |
| 1153     | Reference code qualifier     | M an..3   | M an..3        | <b>BM Bill of lading number</b> |
| 1154     | Reference identifier         | C an..70  | M an..70       |                                 |
| 1156     | Document line identifier     | C an..6   | N              | Not used                        |
| 4000     | Reference version identifier | C an..35  | N              | Not used                        |
| 1060     | Revision identifier          | C an..6   | N              | Not used                        |

**Example:**

RFF+BM:X'

| Counte | No | Name | St | MaxOcc | Ebene | Level |
|--------|----|------|----|--------|-------|-------|
|--------|----|------|----|--------|-------|-------|

|      |  |                  |   |   |   |     |
|------|--|------------------|---|---|---|-----|
| 0090 |  | <b>SG2 ( 5 )</b> | C | 9 | 1 | RFF |
|------|--|------------------|---|---|---|-----|

|      |    |                  |   |   |   |               |
|------|----|------------------|---|---|---|---------------|
| 0100 | 10 | <b>RFF ( 1 )</b> | M | 1 | 1 | ANK reference |
|------|----|------------------|---|---|---|---------------|

| Standard |                              |           | Implementation |   |
|----------|------------------------------|-----------|----------------|---|
| Bez      | Name                         | St Format | St Format      | Anwendung / Bemerkung                               |
| RFF      |                              |           |                |   |
| C506     | Reference                    | M         | M              |   |
| 1153     | Reference code qualifier     | M an..3   | M an..3        | <b>ANK Reference number assigned by third party</b> |
| 1154     | Reference identifier         | C an..70  | C an..70       | BGM original document identifier                    |
| 1156     | Document line identifier     | C an..6   | N              | Not used  |
| 4000     | Reference version identifier | C an..35  | N              | Not used  |
| 1060     | Revision identifier          | C an..6   | N              | Not used  |

**Example:**  
RFF+ANK:X'

| Counte | No | Name | St | MaxOcc | Ebene | Level |
|--------|----|------|----|--------|-------|-------|
|--------|----|------|----|--------|-------|-------|

|      |  |                  |   |   |   |                                       |
|------|--|------------------|---|---|---|---------------------------------------|
| 0120 |  | <b>SG3</b> ( 1 ) | C | 1 | 1 | Contact person at the APERAK's sender |
|------|--|------------------|---|---|---|---------------------------------------|

|      |    |                  |   |   |   |                  |
|------|----|------------------|---|---|---|------------------|
| 0130 | 11 | <b>NAD</b> ( 1 ) | M | 1 | 1 | Name and address |
|------|----|------------------|---|---|---|------------------|

| Standard |   |           | Implementation |  |
|----------|---|-----------|----------------|--|
| Bez      | Name  | St Format | St Format      | Anwendung / Bemerkung                        |
| NAD      |   |           |                |  |
| 3035     | Party function code qualifier                   | M an..3   | M an..3        | <b>MS Document/message issuer/sender</b>     |
| C082     | Party identification details                    | C         | M              |  |
| 3039     | Party identifier                                | M an..35  | M an..35       | DAKOSY participant code of the APERAK sender |
| 1131     | Code list identification code                   | C an..17  | N              | Not used                                     |
| 3055     | Code list responsible agency code               | C an..3   | N              | Not used                                     |
| C058     | Name and address                                | C         | N              |  |
| 3124     | Name and address description                    | M an..35  | N              | Not used                                     |
| 3124     | Name and address description                    | C an..35  | N              | Not used                                     |
| 3124     | Name and address description                    | C an..35  | N              | Not used                                     |
| 3124     | Name and address description                    | C an..35  | N              | Not used                                     |
| 3124     | Name and address description                    | C an..35  | N              | Not used                                     |
| C080     | Party name                                      | C         | N              |  |
| 3036     | Party name                                      | M an..35  | N              | Not used                                     |
| 3036     | Party name                                      | C an..35  | N              | Not used                                     |
| 3036     | Party name                                      | C an..35  | N              | Not used                                     |
| 3036     | Party name                                      | C an..35  | N              | Not used                                     |
| 3036     | Party name                                      | C an..35  | N              | Not used                                     |
| 3045     | Party name format code                          | C an..3   | N              | Not used                                     |
| C059     | Street  | C         | N              |  |
| 3042     | Street and number or post office box identifier | M an..35  | N              | Not used                                     |
| 3042     | Street and number or post office box identifier | C an..35  | N              | Not used                                     |
| 3042     | Street and number or post office box identifier | C an..35  | N              | Not used                                     |
| 3042     | Street and number or post office box identifier | C an..35  | N              | Not used                                     |
| 3164     | City name                                       | C an..35  | N              | Not used                                     |
| C819     | Country sub-entity details                      | C         | N              |  |
| 3229     | Country sub-entity name code                    | C an..9   | N              | Not used                                     |
| 1131     | Code list identification code                   | C an..17  | N              | Not used                                     |
| 3055     | Code list responsible agency code               | C an..3   | N              | Not used                                     |
| 3228     | Country sub-entity name                         | C an..35  | N              | Not used                                     |
| 3251     | Postal identification code                      | C an..17  | N              | Not used                                     |
| 3207     | Country name code                               | C an..3   | N              | Not used                                     |

**Example:**  
NAD+MS+DAK '

|  |                     |   |
|--|---------------------|---|
| <b>DAKOSY</b><br><u>Datenkommunikationssystem AG</u> | <b>IMP – APERAK</b> |  |
|--|---------------------|---|

| Counte | No   | Name                | St | MaxOcc | Ebene | Level                                 |
|--------|------|---------------------|----|--------|-------|---------------------------------------|
|        | 0120 | <b>SG3</b> ( 1 )    | C  | 1      | 1     | Contact person at the APERAK's sender |
|        | 0140 | 12 <b>CTA</b> ( 1 ) | C  | 1      | 2     | Contact information                   |

**Remark:** Contact Information of the person in charge at the sender of the response message. If this contact information is given, at least one of the following COM segments has to be used.

| Standard |                                  |           | Implementation |                                  |
|----------|----------------------------------|-----------|----------------|----------------------------------|
| Bez      | Name                             | St Format | St Format      | Anwendung / Bemerkung            |
| CTA      |                                  |           |                |                                  |
| 3139     | Contact function code            | C an..3   | M an..3        | <b>MS Message sender contact</b> |
| C056     | Department or employee details   | C         | M              |                                  |
| 3413     | Department or employee name code | C an..17  | N              | Not used                         |
| 3412     | Department or employee name      | C an..35  | M an..35       |                                  |

**Example:**

CTA+MS+ : BLANKEN '

|  |                     |   |
|--|---------------------|---|
| <b>DAKOSY</b><br><u>Datenkommunikationssystem AG</u> | <b>IMP – APERAK</b> |  |
|--|---------------------|---|

| Counte | No | Name             | St | MaxOcc | Ebene | Level                                 |
|--------|----|------------------|----|--------|-------|---------------------------------------|
| 0120   |    | <b>SG3</b> ( 1 ) | C  | 1      | 1     | Contact person at the APERAK's sender |
| 0150   | 13 | <b>COM</b> ( 1 ) | C  | 1      | 2     | Phone Number                          |

**Remark:** Telephone communication number

|      |                                      |    | Standard | Implementation |                                |
|------|--------------------------------------|----|----------|----------------|--------------------------------|
| Bez  | Name                                 | St | Format   | St             | Format / Anwendung / Bemerkung |
| COM  |                                      |    |          |                |                                |
| C076 | Communication contact                | M  | M        | M              |                                |
| 3148 | Communication address identifier     | M  | an..512  | M              | an..512                        |
| 3155 | Communication address code qualifier | M  | an..3    | M              | an..3 <b>TE Telephone</b>      |

**Example:**

COM+04037003000:TE'

| Counte | No   | Name                | St | MaxOcc | Ebene | Level                                 |
|--------|------|---------------------|----|--------|-------|---------------------------------------|
|        | 0120 | <b>SG3</b> ( 1 )    | C  | 1      | 1     | Contact person at the APERAK's sender |
|        | 0150 | 14 <b>COM</b> ( 2 ) | C  | 1      | 2     | E-Mail Address                        |

**Remark:** Email-Adresse des Partners

|      |                                      |    | Standard | Implementation |                                 |
|------|--------------------------------------|----|----------|----------------|---------------------------------|
| Bez  | Name                                 | St | Format   | St             | Format / Anwendung / Bemerkung  |
| COM  |                                      |    |          |                |                                 |
| C076 | Communication contact                | M  |          | M              |                                 |
| 3148 | Communication address identifier     | M  | an..512  | M              | an..512                         |
| 3155 | Communication address code qualifier | M  | an..3    | M              | an..3 <b>EM Electronic mail</b> |

**Example:**

COM+uzdas@dakosy.de:EM'

| Counte | No | Name             | St | MaxOcc | Ebene | Level                                 |
|--------|----|------------------|----|--------|-------|---------------------------------------|
| 0120   |    | <b>SG3</b> ( 1 ) | C  | 1      | 1     | Contact person at the APERAK's sender |
| 0150   | 15 | <b>COM</b> ( 3 ) | C  | 1      | 2     | Telefax                               |

**Remark:** Telefax communication number

|      |                                      |    | Standard | Implementation |         |                       |
|------|--------------------------------------|----|----------|----------------|---------|-----------------------|
| Bez  | Name                                 | St | Format   | St             | Format  | Anwendung / Bemerkung |
| COM  |                                      |    |          |                |         |                       |
| C076 | Communication contact                | M  |          | M              |         |                       |
| 3148 | Communication address identifier     | M  | an..512  | M              | an..512 |                       |
| 3155 | Communication address code qualifier | M  | an..3    | M              | an..3   | <b>FX Telefax</b>     |

**Example:**

COM+04037003000:FX'

|  |                     |   |
|--|---------------------|---|
| <b>DAKOSY</b><br><u>Datenkommunikationssystem AG</u> | <b>IMP – APERAK</b> |  |
|--|---------------------|---|

| Counte | No | Name | St | MaxOcc | Ebene | Level |
|--------|----|------|----|--------|-------|-------|
|--------|----|------|----|--------|-------|-------|

|      |  |                  |   |       |   |         |
|------|--|------------------|---|-------|---|---------|
| 0160 |  | <b>SG4</b> ( 1 ) | C | 99999 | 1 | ERC-FTX |
|------|--|------------------|---|-------|---|---------|

|      |    |                  |   |   |   |                               |
|------|----|------------------|---|---|---|-------------------------------|
| 0170 | 16 | <b>ERC</b> ( 1 ) | M | 1 | 1 | Application error information |
|------|----|------------------|---|---|---|-------------------------------|

|      |                                   |    | Standard | Implementation |        |   |
|------|-----------------------------------|----|----------|----------------|--------|---|
| Bez  | Name                              | St | Format   | St             | Format | Anwendung / Bemerkung   |
| ERC  |                                   |    |          |                |        |   |
| C901 | Application error detail          | M  |          | M              |        |   |
| 9321 | Application error code            | M  | an..8    | M              | an..8  |   |
| 1131 | Code list identification code     | C  | an..17   | C              | an..17 | <b>IMP02 IMP Fehlercodes / IMP Error Codes</b><br><b>DAK DAKOSY</b> |
| 3055 | Code list responsible agency code | C  | an..3    | C              | an..3  |   |

**Example:**

ERC+150:IMP02:DAK'

| Counte | No | Name             | St | MaxOcc | Ebene | Level             |
|--------|----|------------------|----|--------|-------|-------------------|
| 0160   |    | <b>SG4</b> ( 1 ) | C  | 99999  | 1     | ERC-FTX           |
| 0180   | 17 | <b>FTX</b> ( 1 ) | R  | 1      | 2     | Error Description |

| Standard |                                   |           | Implementation |  |
|----------|-----------------------------------|-----------|----------------|--|
| Bez      | Name                              | St Format | St Format      | Anwendung / Bemerkung                    |
| FTX      |                                   |           |                |  |
| 4451     | Text subject code qualifier       | M an..3   | M an..3        | <b>AAO Error description (free text)</b> |
| 4453     | Free text function code           | C an..3   | N              | Not used                                 |
| C107     | Text reference                    | C         | N              |  |
| 4441     | Free text value code              | M an..17  | N              | Not used                                 |
| 1131     | Code list identification code     | C an..17  | N              | Not used                                 |
| 3055     | Code list responsible agency code | C an..3   | N              | Not used                                 |
| C108     | Text literal                      | C         | M              |  |
| 4440     | Free text value                   | M an..512 | M an..70       |  |
| 4440     | Free text value                   | C an..512 | C an..70       |  |
| 4440     | Free text value                   | C an..512 | C an..70       |  |
| 4440     | Free text value                   | C an..512 | C an..70       |  |
| 4440     | Free text value                   | C an..512 | C an..70       |  |
| 3453     | Language name code                | C an..3   | C an..3        |  |
| 4447     | Free text format code             | C an..3   | N              | Not used                                 |

**Example:**

FTX+AAO+++UNKNOWN:IMP:REFERENCE:NUMBER:FOUND+DE'

|  |                     |   |
|--|---------------------|---|
| <b>DAKOSY</b><br><u>Datenkommunikationssystem AG</u> | <b>IMP – APERAK</b> |  |
|--|---------------------|---|


| Counte | No | Name | St | MaxOcc | Ebene | Level |
|--------|----|------|----|--------|-------|-------|
|--------|----|------|----|--------|-------|-------|

0220 18 **UNT** ( 1 ) M 1 0 **Message trailer**

| Standard |                                 |           | Implementation |                       |
|----------|---------------------------------|-----------|----------------|-----------------------|
| Bez      | Name                            | St Format | St Format      | Anwendung / Bemerkung |
| UNT      |                                 |           |                |                       |
| 0074     | Number of segments in a message | M n..10   | M n..10        |                       |
| 0062     | Message reference number        | M an..14  | M an..14       |                       |

**Example:**

UNT+15+12407045'

|  |                     |   |
|--|---------------------|---|
| <b>DAKOSY</b><br><u>Datenkommunikationssystem AG</u> | <b>IMP – APERAK</b> |  |
|--|---------------------|---|

| Counte | No | Name | St | MaxOcc | Ebene | Level |
|--------|----|------|----|--------|-------|-------|
|--------|----|------|----|--------|-------|-------|

0000 19 **UNZ** ( 1 ) M 1 0 Interchange trailer

| Standard |                               |           | Implementation |                       |
|----------|-------------------------------|-----------|----------------|-----------------------|
| Bez      | Name                          | St Format | St Format      | Anwendung / Bemerkung |
| UNZ      |                               |           |                |                       |
| 0036     | Interchange control count     | M n..6    | M n..6         |                       |
| 0020     | Interchange control reference | M an..14  | M an..14       |                       |

**Example:**  
UNZ+1+3144'