

# IMP

## COPARN – Transmission of import operation instruction data to terminal and packing company

EDI Guide

Version 1.2 /E

(Valid from February 2015)

**DAKOSY**  
Datenkommunikationssystem AG

Mattentwiete 2  
20457 Hamburg  
[www.dakosy.de](http://www.dakosy.de)

Phone: + 49 40 37003 - 0  
Fax: + 49 40 37003 - 370  
[info@dakosy.de](mailto:info@dakosy.de)

## Change History

Version	Concerned section	Reason	Name	Datum
1.0	all	First English version	Diettrich	2013-05-17
1.1	All, SG13/RFF	Edition of examples, addition of qualifier ,ACD' in SG13/RFF	Diettrich	2014-05-09
1.2	Segment 4/ RFF	Inclusion of segment RFF - freightforwarder's reference	Diettrich	2015-02-09

## Change requests

**DAKOSY**

**Datenkommunikationssystem AG**

Mattentwiete 2

20457 Hamburg

1. Phone: + 49 40 37003 - 0
2. Fax: + 49 40 37003 - 370
3. Email: info@dakosy.de

## Used tools

Number	Used tools
W1	This document was created with the word processing programme <b>MS Word 2010</b> .

## Applicable Documents

The EDI manual "General Part" provides descriptions about main principles established for each data interchange via DAKOSY. The definitions set out therein, the customer's cooperation duties as well as the basis of the communication process also apply for the interface described in the manual at hand.

**Table of contents**

**1 The message COPARN ..... 4**

**2 Message Structure ..... 5**

**3 Branching Diagram ..... 6**

**4 Segment Description ..... 12**

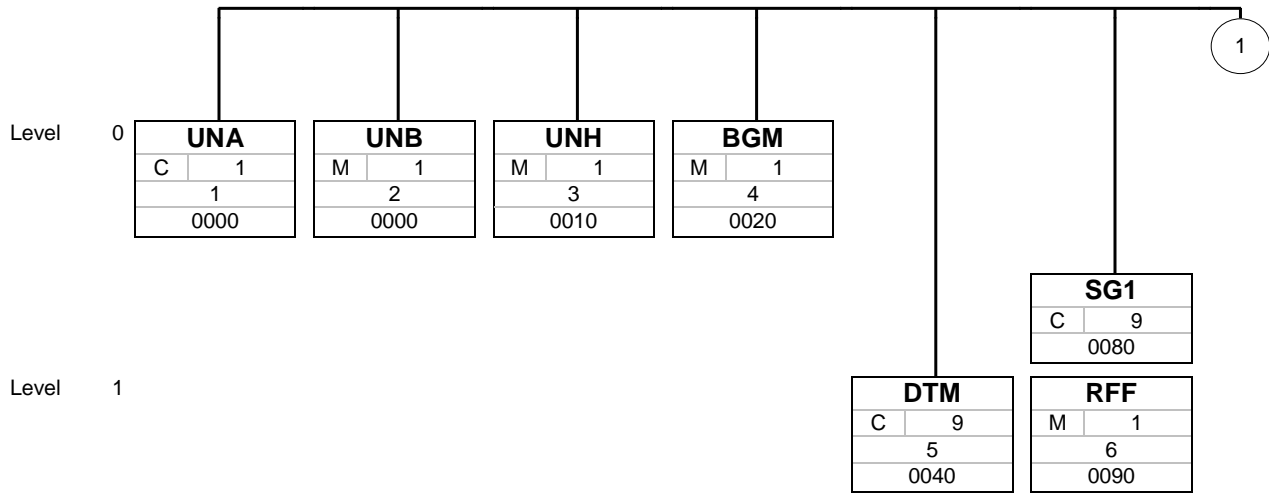
## 1 The message COPARN

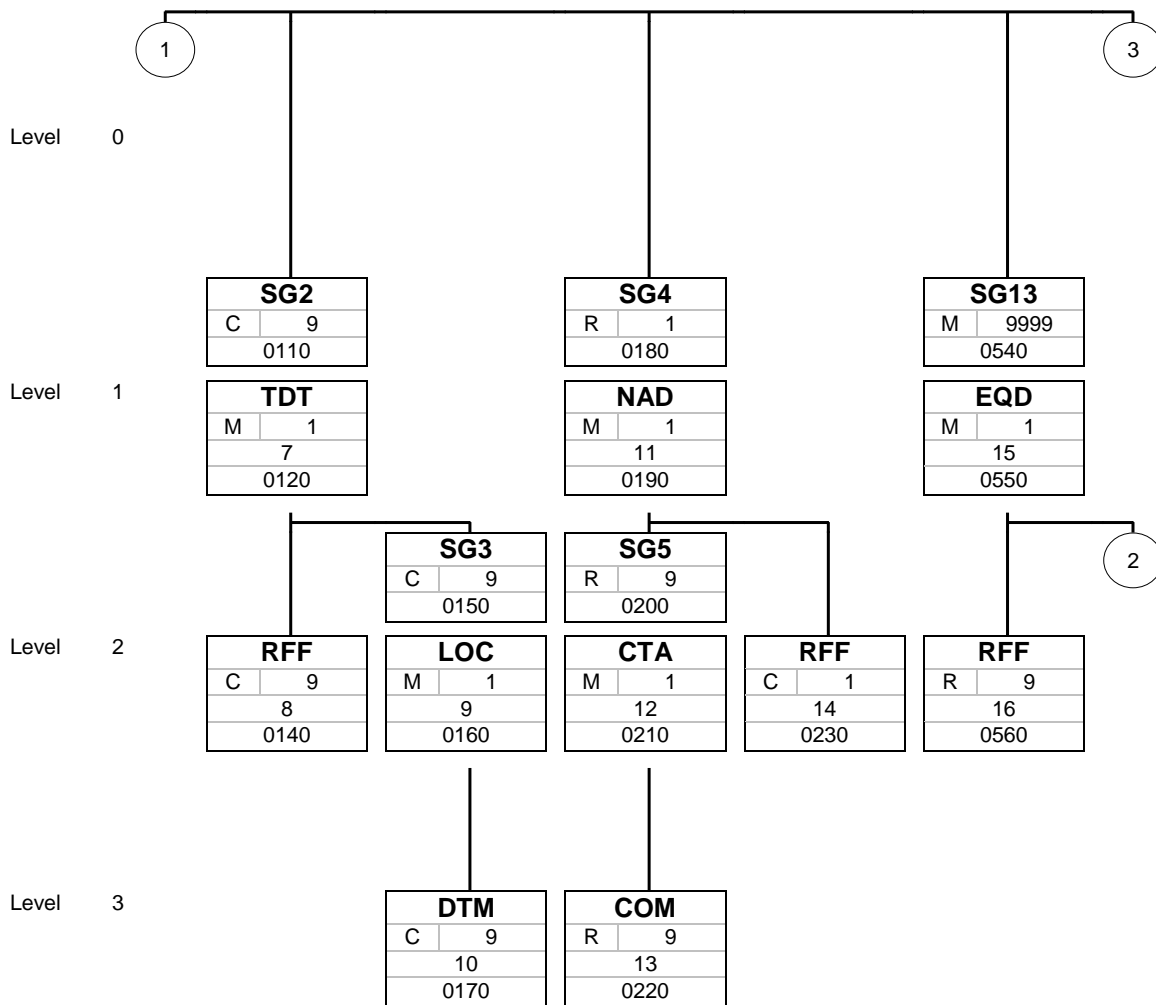
In the Import Message Platform the message COPARN is used to transmit the carriers' import operation instruction data to the terminal and packing company.

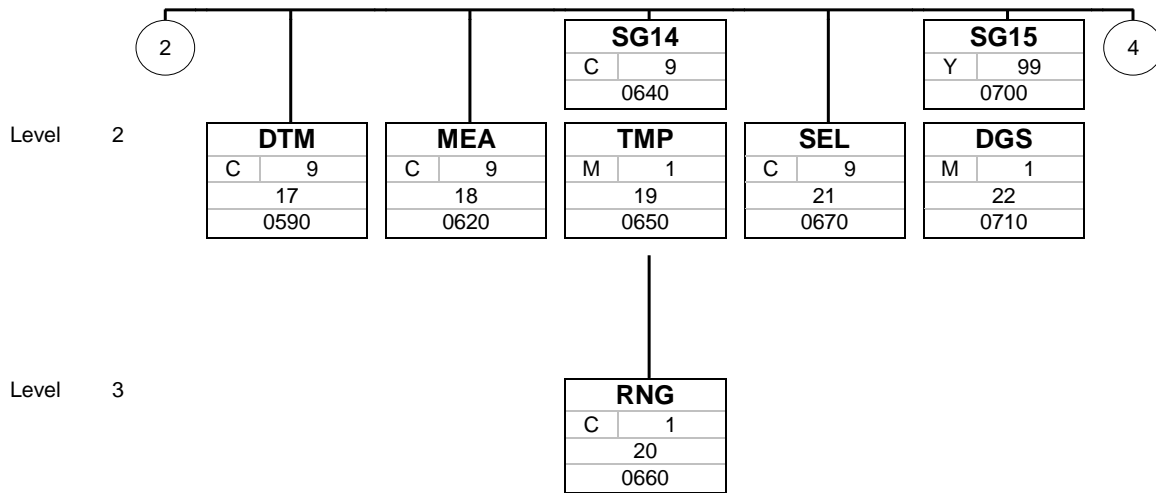
## 2 Message Structure

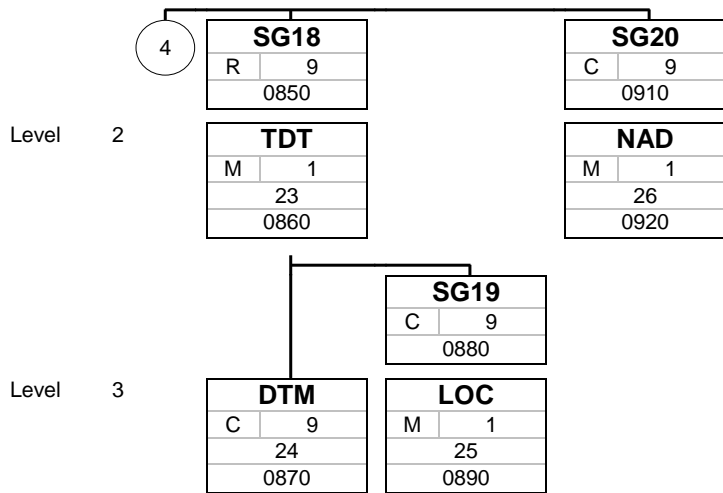
Counte	No	Tag	St	MaxOcc	Level	Content
0000	1	<b>UNA</b>	C	1	0	Service string advice
0000	2	<b>UNB</b>	M	1	0	Interchange header
0010	3	<b>UNH</b>	M	1	0	Message header
0020	4	<b>BGM</b>	M	1	0	Beginning of message
0040	5	<b>DTM</b>	C	9	1	Message Date
0080		<b>SG1</b>	C	9	1	RFF
0090	6	<b>RFF</b>	M	1	1	IMP- and other reference numbers
0110		<b>SG2</b>	C	9	1	TDT-RFF-SG3
0120	7	<b>TDT</b>	M	1	1	Main Voyage Information
0140	8	<b>RFF</b>	C	9	2	Call Sign und Ship Stay Reference
0150		<b>SG3</b>	C	9	2	LOC-DTM
0160	9	<b>LOC</b>	M	1	2	POL, POD and Terminal
0170	10	<b>DTM</b>	C	9	3	Dates of Arrival and Departure
0180		<b>SG4</b>	R	1	1	NAD-SG5-RFF
0190	11	<b>NAD</b>	M	1	1	Forwarder
0200		<b>SG5</b>	R	9	2	Forwarder's Contact Information
0210	12	<b>CTA</b>	M	1	2	Contact information
0220	13	<b>COM</b>	R	9	3	Communication contact
0230	14	<b>RFF</b>	C	1	2	Freightforwarder's reference
0540		<b>SG13</b>	M	9999	1	EQD-RFF-DTM-MEA-SG14-SEL-SG15-SG18-SG20
0550	15	<b>EQD</b>	M	1	1	Container Information
0560	16	<b>RFF</b>	R	9	2	References: Booking and BL number
0590	17	<b>DTM</b>	C	9	2	Pickup Date (requested)
0620	18	<b>MEA</b>	C	9	2	Gross Weight
0640		<b>SG14</b>	C	9	2	Temperature requirements for reefer container
0650	19	<b>TMP</b>	M	1	2	Temperature
0660	20	<b>RNG</b>	C	1	3	Range details
0670	21	<b>SEL</b>	C	9	2	Information about a container's seal(s)
0700		<b>SG15</b>	Y	99	2	DGS
0710	22	<b>DGS</b>	M	1	2	Dangerous Goods Details
0850		<b>SG18</b>	R	9	2	On Carriage information
0860	23	<b>TDT</b>	M	1	2	Details of transport
0870	24	<b>DTM</b>	C	9	3	Date/time/period
0880		<b>SG19</b>	C	9	3	LOC
0890	25	<b>LOC</b>	M	1	3	Place/location identification
0910		<b>SG20</b>	C	9	2	Presenter Party (Summary Declaration)
0920	26	<b>NAD</b>	M	1	2	Name and address
0980	27	<b>UNT</b>	M	1	0	Message trailer
0000	28	<b>UNZ</b>	M	1	0	Interchange trailer

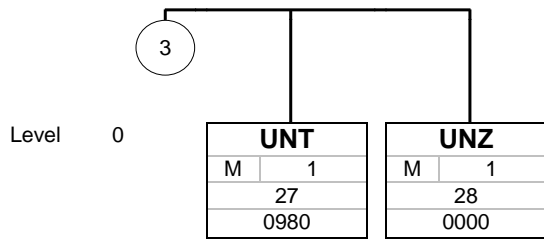
### **3 Branching Diagram**











## 4 Segment Description

Counter	No	Tag	St	MaxOcc	Level	Name
0000	1	<b>UNA</b>	C	1	0	Service string advice

Standard			Implementation	
Tag	Name	St Format	St Format	Usage / Remark
UNA				
UNA1	Component data element separator	M an1	M an1	
UNA2	Data element separator	M an1	M an1	
UNA3	Decimal mark	M an1	M an1	
UNA4	Release character	M an1	M an1	
UNA5	Repetition separator	M an1	M an1	
UNA6	Segment terminator	M an1	M an1	

**Remark:**

**Example:**

UNA:+. ? ' '

Counter	No	Tag	St	MaxOcc	Level	Name
0000	2	<b>UNB</b>	M	1	0	Interchange header

		Standard	Implementation	
Tag	Name	St Format	St Format	Usage / Remark
UNB				
S001	Syntax identifier	M	M	
0001	Syntax identifier	M a4	M a4	
0002	Syntax version number	M an1	M an1	
0080	Service code list directory version number	C an..6	N	Not used
0133	Character encoding, coded	C an..3	N	Not used
S002	Interchange sender	M	M	
0004	Interchange sender identification	M an..35	M an..35	
0007	Identification code qualifier	C an..4	C an..4	<b>ZZZ Mutually defined</b>
0008	Interchange sender internal identification	C an..35	N	Not used
0042	Interchange sender internal sub-identification	C an..35	N	Not used
S003	Interchange recipient	M	M	
0010	Interchange recipient identification	M an..35	M an..35	
0007	Identification code qualifier	C an..4	C an..4	<b>ZZZ Mutually defined</b>
0014	Interchange recipient internal identification	C an..35	N	Not used
0046	Interchange recipient internal sub-identification	C an..35	N	Not used
S004	Date and time of preparation	M	M	
0017	Date	M n8	M n8	
0019	Time	M n4	M n4	
0020	Interchange control reference	M an..14	M an..14	
S005	Recipient reference/password details	C	N	
0022	Recipient reference/password	M an..14	M an..14	
0025	Recipient reference/password qualifier	C an2	N	Not used
0026	Application reference	C an..14	N	Not used
0029	Processing priority code	C a1	N	Not used
0031	Acknowledgement request	C n1	N	Not used
0032	Interchange agreement identifier	C an..35	N	Not used
0035	Test indicator	C n1	C n1	

**Remark:**

**Example:**

UNB+UNOC:3+DAK:ZZZ+EUK:ZZZ+20130626:1718+EXCHGREF123456+++++1'

Counter	No	Tag	St	MaxOcc	Level	Name
0010	3	<b>UNH</b>	M	1	0	Message header

		Standard	Implementation	
Tag	Name	St Format	St Format	Usage / Remark
UNH				
0062	Message reference number	M an..14	M an..14	
S009	Message identifier	M	M	
0065	Message type	M an..6	M an..6	
0052	Message version number	M an..3	M an..3	
0054	Message release number	M an..3	M an..3	
0051	Controlling agency, coded	M an..3	M an..3	
0057	Association assigned code	C an..6	C an..6	
0110	Code list directory version number	C an..6	N	Not used
0113	Message type sub-function identification	C an..6	N	Not used
0068	Common access reference	C an..35	N	Not used
S010	Status of the transfer	C	N	
0070	Sequence of transfers	M n..2	N	Not used
0073	First and last transfer	C a1	N	Not used
S016	Message subset identification	C	N	
0115	Message subset identification	M an..14	N	Not used
0116	Message subset version number	C an..3	N	Not used
0118	Message subset release number	C an..3	N	Not used
0051	Controlling agency, coded	C an..3	N	Not used
S017	Message implementation guideline identification	C	N	
0121	Message implementation guideline identification	M an..14	N	Not used
0122	Message implementation guideline version number	C an..3	N	Not used
0124	Message implementation guideline release number	C an..3	N	Not used
0051	Controlling agency, coded	C an..3	N	Not used
S018	Scenario identification	C	N	
0127	Scenario identification	M an..14	N	Not used
0128	Scenario version number	C an..3	N	Not used
0130	Scenario release number	C an..3	N	Not used
0051	Controlling agency, coded	C an..3	N	Not used

**Remark:**

**Example:**

UNH+00000000006944+COPARN:D:00B:UN:SMDG20'

Counter	No	Tag	St	MaxOcc	Level	Name
0020	4	<b>BGM</b>	M	1	0	Beginning of message

		Standard	Implementation		
Tag	Name	St Format	St Format	Usage / Remark	
BGM					
C002	Document/message name	C	C		
1001	Document name code	C an..3	C an..3	<b>104 Transport equipment impending arrival advice</b>	
1131	Code list identification code	C an..17	N	Not used	
3055	Code list responsible agency code	C an..3	N	Not used	
1000	Document name	C an..35	N	Not used	
C106	Document/message identification	C	R		
1004	Document identifier	C an..35	R an..35		
1056	Version identifier	C an..9	N	Not used	
1060	Revision identifier	C an..6	N	Not used	
1225	Message function code	C an..3	R an..3		
4343	Response type code	C an..3	N	Not used	

**Remark:**

**Example:**

BGM+104+800255846+9'

Counter	No	Tag	St	MaxOcc	Level	Name
0040	5	<b>DTM</b>	C	9	1	Message Date

		Standard	Implementation	
Tag	Name	St Format	St Format	Usage / Remark
DTM				
C507	Date/time/period	M	M	
2005	Date or time or period function code qualifier	M an..3	M an..3	<b>137 Document/message date/time</b>
2380	Date or time or period value	C an..35	C an..35	
2379	Date or time or period format code	C an..3	C an..3	<b>203 CCYYMMDDHHMM</b>

**Remark:**

Message Creation Date  
Automatically filled (no mapping)

**Example:**

DTM+137:201306211523:203'

Counter	No	Tag	St	MaxOcc	Level	Name
0080		<b>SG1</b>	C	9	1	<b>RFF</b>
This segment group's RFF segment will contain IMP- and customer references as well as the previous message's reference (in case of updates)						
0090	6	<b>RFF</b>	M	1	1	<b>IMP- and other reference numbers</b>

Standard			Implementation	
Tag	Name	St Format	St Format	Usage / Remark
RFF				
C506	Reference	M	M	
1153	Reference code qualifier	M an..3	M an..3	<b>ACW</b> Reference number to previous message <b>IM</b> IMP Reference ID <b>PIM</b> Previous IMP Reference ID <b>CR</b> Customer's Reference Number (accd. EDIFACT Codelist 1153); no part of the SMDG COPARN
1154	Reference identifier	C an..70	C an..70	
1156	Document line identifier	C an..6	N	Not used
4000	Reference version identifier	C an..35	N	Not used
1060	Revision identifier	C an..6	N	Not used

**Remark:**

**Example:**

RFF+IM:IHH091002100018940'

Counter	No	Tag	St	MaxOcc	Level	Name
0110		<b>SG2</b>	C	9	1	<b>TDT-RFF-SG3</b>
Information about the main carriage / voyage transport leg						
0120	7	<b>TDT</b>	M	1	1	<b>Main Voyage Information</b>

		Standard	Implementation		
Tag	Name	St Format	St Format	Usage / Remark	
TDT					
8051	Transport stage code qualifier	M an..3	M an..3	<b>20 Main-carriage transport</b>	
8028	Means of transport journey identifier	C an..17	O an..17	Vessel operator's voyage number	
C220	Mode of transport	C	R		
8067	Transport mode name code	C an..3	R an..3	<b>1 Maritime transport</b>	
8066	Transport mode name	C an..17	N	Not used	
C228	Transport means	C	N		
8179	Transport means description code	C an..8	N	Not used	
8178	Transport means description	C an..17	N	Not used	
C040	Carrier	C	R		
3127	Carrier identifier	C an..17	R an..17	SCAC Code of the vessel operator	
1131	Code list identification code	C an..17	O an..17	<b>172 Carriers</b>	
3055	Code list responsible agency code	C an..3	O an..3	<b>ZZZ Mutually defined SMD SMDG 182 US, Standard Carrier Alpha Code (Motor)</b>	
3128	Carrier name	C an..35	O an..35	Vessel operator's name (free text)	
8101	Transit direction indicator code	C an..3	N	Not used	
C401	Excess transportation information	C	N		
8457	Excess transportation reason code	M an..3	N	Not used	
8459	Excess transportation responsibility code	M an..3	N	Not used	
7130	Customer shipment authorisation identifier	C an..17	N	Not used	
C222	Transport identification	C	O		
8213	Transport means identification name identifier	C an..9	C an..9	Lloyd's (IMO) number	
1131	Code list identification code	C an..17	O an..17	<b>146 Means of transport identification</b>	
3055	Code list responsible agency code	C an..3	O an..3	<b>11 Lloyd's register of shipping</b>	
8212	Transport means identification name	C an..35	O an..35		
8453	Transport means nationality code	C an..3	O an..3	Flag of means of transport (ISO country code)	
8281	Transport means ownership indicator code	C an..3	N	Not used	

Remark:

**DAKOSY**  
Datenkommunikationssystem AG

**IMP - COPARN**



**Example:**

TDT+20+048R+1++MSC:172:ZZZ:X+++7104673:146:11:MSC CLAUDIA:PA'

Counter	No	Tag	St	MaxOcc	Level	Name
0110		<b>SG2</b>	C	9	1	<b>TDT-RFF-SG3</b> Information about the main carriage / voyage transport leg
0140	8	<b>RFF</b>	C	9	2	<b>Call Sign und Ship Stay Reference</b>

Standard			Implementation	
Tag	Name	St Format	St Format	Usage / Remark
RFF				
C506	Reference	M	M	
1153	Reference code qualifier	M an..3	M an..3	<b>ATZ Ship's stay reference number</b> <b>VM Vessel identification</b>
1154	Reference identifier	C an..70	R an..70	Callsign (if C506.e1153 = 'VM')Alternative (non vessel operator's) voyage number (if C506.e1153 = 'VON' )Manifest number (if C506.e1153 = 'MA')Other reference (if C506.e1153 = 'ATZ')
1156	Document line identifier	C an..6	N	Not used
4000	Reference version identifier	C an..35	N	Not used
1060	Revision identifier	C an..6	N	Not used

**Remark:**

Call Sign - This is a mandatory information when sending the COPARN to certain terminals. Another occurrence of the RFF segment might contain the Ship Stay Reference.

**Example:**

RFF+VM:3EQZ6'

Counter	No	Tag	St	MaxOcc	Level	Name
0150		<b>SG3</b>	C	9	2	<b>LOC-DTM</b> Information about POL and POD as well as the terminal at the POD
0160	9	<b>LOC</b>	M	1	2	<b>POL, POD and Terminal</b>

Standard			Implementation	
Tag	Name	St Format	St Format	Usage / Remark
LOC				
3227	Location function code qualifier	M an..3	M an..3	<b>9 Place/port of loading</b> <b>11 Place/port of discharge</b>
C517	Location identification	C	R	
3225	Location name code	C an..25	M an..25	UNLOCODE
1131	Code list identification code	C an..17	O an..17	<b>139 Port</b>
3055	Code list responsible agency code	C an..3	O an..3	<b>6 UN/ECE (United Nations - Economic Commission for Europe)</b>
3224	Location name	C an..256	O an..256	
C519	Related location one identification	C	O	
3223	First related location name code	C an..25	D an..25	Location (SMDG) Code of the terminal in the POD. Mandatory if element 3227 = 11.
1131	Code list identification code	C an..17	O an..17	<b>72 Container terminal</b>
3055	Code list responsible agency code	C an..3	O an..3	<b>SMD SMDG</b>
3222	First related location name	C an..70	O an..70	
C553	Related location two identification	C	N	
3233	Second related location name code	C an..25	N	Not used
1131	Code list identification code	C an..17	N	Not used
3055	Code list responsible agency code	C an..3	N	Not used
3232	Second related location name	C an..70	N	Not used
5479	Relation code	C an..3	N	Not used

**Remark:**

**Example:**

LOC+9+AUMEL:139:6:MELBOURNE+CONWS:72:SMD:P&O PORTS'

Counter	No	Tag	St	MaxOcc	Level	Name
0150		<b>SG3</b>	C	9	2	<b>LOC-DTM</b> Information about POL and POD as well as the terminal at the POD
0170	10	<b>DTM</b>	C	9	3	<b>Dates of Arrival and Departure</b>

Standard			Implementation	
Tag	Name	St Format	St Format	Usage / Remark
<b>DTM</b>				
C507	Date/time/period	M	M	
2005	Date or time or period function code qualifier	M an..3	M an..3	<b>132 Arrival date/time, estimated</b> <b>133 Departure date/time, estimated</b> <b>178 Arrival date/time, actual</b> <b>186 Departure date/time, actual</b>
2380	Date or time or period value	C an..35	C an..35	
2379	Date or time or period format code	C an..3	C an..3	<b>203 CCYYMMDDHHMM</b>

**Remark:**

ETD, ATD (POL) and ETA, ATA (POD)

**Example:**

DTM+132:201307010600:203'

Counter	No	Tag	St	MaxOcc	Level	Name
0180		<b>SG4</b>	R	1	1	<b>NAD-SG5-RFF</b> Information about the forwarder involved in this import process
0190	11	<b>NAD</b>	M	1	1	<b>Forwarder</b>

Standard			Implementation	
Tag	Name	St Format	St Format	Usage / Remark
NAD				
3035	Party function code qualifier	M an..3	M an..3	<b>FW Freight forwarder</b>
C082	Party identification details	C	O	
3039	Party identifier	M an..35	M an..35	Usually, this element will contain the DAKOSY participant code of the forwarder (With Element 3055 = ZZZ)
1131	Code list identification code	C an..17	C an..17	<b>160 Party identification</b> <b>172 Carriers</b>
3055	Code list responsible agency code	C an..3	C an..3	<b>20 BIC (Bureau International des Containeurs)</b> <b>SMD SMDG</b> <b>ZZZ Mutually defined</b>
C058	Name and address	C	O	Name and address of the forwarder. Only the name and the first four address lines are mapped from the Import Operation Instruction
3124	Name and address description	M an..35	M an..35	
3124	Name and address description	C an..35	C an..35	
3124	Name and address description	C an..35	C an..35	
3124	Name and address description	C an..35	C an..35	
3124	Name and address description	C an..35	C an..35	
C080	Party name	C	N	
3036	Party name	M an..35	N	Not used
3036	Party name	C an..35	N	Not used
3036	Party name	C an..35	N	Not used
3036	Party name	C an..35	N	Not used
3036	Party name	C an..35	N	Not used
3045	Party name format code	C an..3	N	Not used
C059	Street	C	N	
3042	Street and number or post office box identifier	M an..35	N	Not used
3042	Street and number or post office box identifier	C an..35	N	Not used
3042	Street and number or post office box identifier	C an..35	N	Not used
3042	Street and number or post office box identifier	C an..35	N	Not used
3164	City name	C an..35	N	Not used
	Country sub-entity details	C	N	
C819				
3229	Country sub-entity name code	C an..9	N	Not used
1131	Code list identification code	C an..17	N	Not used

<b>DAKOSY</b> <u>Datenkommunikationssystem AG</u>	<b>IMP - COPARN</b>	
--	---------------------	---

3055	Code list responsible agency code	C an..3	N	Not used
3228	Country sub-entity name	C an..35	N	Not used
3251	Postal identification code	C an..17	N	Not used
3207	Country name code	C an..3	N	Not used

**Remark:**

Identifies the forwarder involved in this import process

**Example:**

NAD+FW+PON:172:20+X:X:X:X'

Counter	No	Tag	St	MaxOcc	Level	Name
0200		<b>SG5</b>	R	9	2	<b>Forwarder's Contact Information</b> Forwarder's Contact Information
0210	12	<b>CTA</b>	M	1	2	<b>Contact information</b>

Standard			Implementation	
Tag	Name	St Format	St Format	Usage / Remark
CTA				
3139	Contact function code	C an..3	C an..3	<b>IC Information contact</b>
C056	Department or employee details	C	R	
3413	Department or employee name code	C an..17	N	Not used
3412	Department or employee name	C an..35	R an..35	

**Remark:**

**Example:**

CTA+IC+:STAN MATTHEWS'

Counter	No	Tag	St	MaxOcc	Level	Name
0200		<b>SG5</b>	R	9	2	<b>Forwarder's Contact Information</b> Forwarder's Contact Information
0220	13	<b>COM</b>	R	9	3	<b>Communication contact</b>

Standard			Implementation	
Tag	Name	St Format	St Format	Usage / Remark
COM				
C076	Communication contact	M	M	
3148	Communication address identifier	M an..512	M an..512	
3155	Communication address code qualifier	M an..3	M an..3	<b>EM Electronic mail</b> <b>FX Telefax</b> <b>TE Telephone</b> <b>TL Telex</b> <b>XF X.400</b>

**Remark:**

**Example:**

COM+0198562395:TE'

Counter	No	Tag	St	MaxOcc	Level	Name
0180		<b>SG4</b>	R	1	1	<b>NAD-SG5-RFF</b> Information about the forwarder involved in this import process
0230	14	<b>RFF</b>	C	1	2	<b>Freightforwarder's reference</b>

		Standard	Implementation		
Tag	Name	St Format	St Format	Usage / Remark	
RFF					
C506	Reference	M	M		
1153	Reference code qualifier	M an..3	M an..3	<b>FF Freight forwarder's reference number</b>	
1154	Reference identifier	C an..70	R an..35		
1156	Document line identifier	C an..6	N	Not used	
4000	Reference version identifier	C an..35	N	Not used	
1060	Revision identifier	C an..6	N	Not used	

**Remark:**

**Example:**

RFF+FF:SPEDREF12345'

Counter	No	Tag	St	MaxOcc	Level	Name
0540		<b>SG13</b>	M	9999	1	EQD-RFF-DTM-MEA-SG14-SEL-SG15-SG18-SG20 One container per ImportInformation
0550	15	<b>EQD</b>	M	1	1	Container Information

		Standard	Implementation	
Tag	Name	St Format	St Format	Usage / Remark
<b>EQD</b>				
8053	Equipment type code qualifier	M an..3	M an..3	<b>CN Container</b> <b>BB Break Bulk</b>
C237	Equipment identification	C	O	
8260	Equipment identifier	C an..17	R an..17	Container Number
1131	Code list identification code	C an..17	N	Not used
3055	Code list responsible agency code	C an..3	N	Not used
3207	Country name code	C an..3	N	Not used
C224	Equipment size and type	C	C	
8155	Equipment size and type description code	C an..10	O an..10	
1131	Code list identification code	C an..17	O an..17	<b>102 Size and type</b>
3055	Code list responsible agency code	C an..3	O an..3	<b>5 ISO (International Organization for Standardization)</b>
8154	Equipment size and type description	C an..35	N	Not used
8077	Equipment supplier code	C an..3	O an..3	<b>1 Shipper supplied</b> <b>2 Carrier supplied</b> <b>5 Third party supplied</b>
8249	Equipment status code	C an..3	N	Not used
8169	Full or empty indicator code	C an..3	N	Not used

**Remark:**  
Container Information

**Example:**  
EQD+CN++21:102:5+2'

Counter	No	Tag	St	MaxOcc	Level	Name
0540		<b>SG13</b>	M	9999	1	<b>EQD-RFF-DTM-MEA-SG14-SEL-SG15-SG18-SG20</b> One container per ImportInformation
0560	16	<b>RFF</b>	R	9	2	<b>References: Booking and BL number</b>

Standard			Implementation	
Tag	Name	St Format	St Format	Usage / Remark
RFF				
C506	Reference	M	M	
1153	Reference code qualifier	M an..3	M an..3	<b>BM Bill of lading number</b> <b>BN Booking reference number</b> <b>SQ Equipment sequence number</b> <b>BH House bill of lading number</b> <b>ACD Additional reference number</b>
1154	Reference identifier	C an..70	R an..70	
1156	Document line identifier	C an..6	N	Not used
4000	Reference version identifier	C an..35	N	Not used
1060	Revision identifier	C an..6	N	Not used

**Remark:**

B/L and Booking Number. House-b/L will be sent with IOI-type = LCL, ocean B/L with IOI-type FCL or break bulk

**Example:**

RFF+BM:DAKU874535/1'

Counter	No	Tag	St	MaxOcc	Level	Name
0540		<b>SG13</b>	M	9999	1	EQD-RFF-DTM-MEA-SG14-SEL-SG15-SG18-SG20 One container per ImportInformation
0590	17	<b>DTM</b>	C	9	2	Pickup Date (requested)

			Standard	Implementation	
Tag	Name	St	Format	St	Format / Usage / Remark
DTM					
C507	Date/time/period	M		M	
2005	Date or time or period function code qualifier	M	an..3	M	an..3 <b>396 Equipment positioning date/time, requested</b>
2380	Date or time or period value	C	an..35	C	an..35
2379	Date or time or period format code	C	an..3	C	an..3 <b>102 CCYYMMDD 203 CCYYMMDDHHMM</b>

**Remark:**  
Pickup Date as requested by the forwarder

**Example:**  
DTM+396:201307051700:203'

Counter	No	Tag	St	MaxOcc	Level	Name
0540		<b>SG13</b>	M	9999	1	<b>EQD-RFF-DTM-MEA-SG14-SEL-SG15-SG18-SG20</b> One container per ImportInformation
0620	18	<b>MEA</b>	C	9	2	<b>Gross Weight</b>

		Standard	Implementation	
Tag	Name	St Format	St Format	Usage / Remark
<b>MEA</b>				
6311	Measurement purpose code qualifier	M an..3	R an..3	<b>AAE Measurement</b>
C502	Measurement details	C	R	
6313	Measured attribute code	C an..3	R an..3	<b>G Gross weight</b>
6321	Measurement significance code	C an..3	N	Not used
6155	Non-discrete measurement name code	C an..17	N	Not used
6154	Non-discrete measurement name	C an..70	N	Not used
C174	Value/range	C	R	
6411	Measurement unit code	M an..3	M an..3	<b>FTQ cubic foot KGM kilogram LBR pound MTQ cubic metre PCT Percentage</b>
6314	Measurement value	C an..18	R an..18	
6162	Range minimum value	C n..18	N	Not used
6152	Range maximum value	C n..18	N	Not used
6432	Significant digits quantity	C n..2	N	Not used
7383	Surface or layer code	C an..3	N	Not used

**Remark:**  
Gross Weight

**Example:**  
MEA+AAE+G+KGM:10474'

Counter	No	Tag	St	MaxOcc	Level	Name
0640		<b>SG14</b>	C	9	2	Temperature requirements for reefer container
Temperature requirements for reefer container						
0650	19	<b>TMP</b>	M	1	2	Temperature

Standard			Implementation	
Tag	Name	St Format	St Format	Usage / Remark
TMP				
6245	Temperature type code qualifier	M an..3	R an..3	<b>2 Transport temperature</b>
C239	Temperature setting	C	R	
6246	Temperature value	C n..15	R n..15	
6411	Measurement unit code	C an..3	R an..3	<b>CEL degree Celsius</b> <b>FAH degree Fahrenheit</b>

**Remark:**

The SMDG-Requirement (Description) would mean that the TMP segment has to be omitted when a temperature range is specified. This is not possible since TMP is the trigger for SG14

**Example:**

TMP+2+11:FAH'

Counter	No	Tag	St	MaxOcc	Level	Name
0640		<b>SG14</b>	C	9	2	Temperature requirements for reefer container Temperature requirements for reefer container
0660	20	<b>RNG</b>	C	1	3	Range details

Standard			Implementation	
Tag	Name	St Format	St Format	Usage / Remark
RNG				
6167	Range type code qualifier	M an..3	M an..3	<b>5 Temperature range</b>
C280	Range	C	C	
6411	Measurement unit code	M an..3	M an..3	<b>CEL degree Celsius</b> <b>FAH degree Fahrenheit</b>
6162	Range minimum value	C n..18	C n..18	
6152	Range maximum value	C n..18	C n..18	

**Remark:**

**Example:**

RNG+5+CEL:9:13'

Counter	No	Tag	St	MaxOcc	Level	Name
0540		<b>SG13</b>	M	9999	1	<b>EQD-RFF-DTM-MEA-SG14-SEL-SG15-SG18-SG20</b> One container per ImportInformation
0670	21	<b>SEL</b>	C	9	2	<b>Information about a container's seal(s)</b>

		Standard	Implementation	
Tag	Name	St Format	St Format	Usage / Remark
<b>SEL</b>				
9308	Seal identifier	C an..35	C an..35	
C215	Seal issuer	C	O	
9303	Sealing party name code	C an..3	R an..3	<b>AA Consolidator</b> <b>AB Unknown</b> <b>AC Quarantine agency</b> <b>CA Carrier</b> <b>CU Customs</b> <b>SH Shipper</b> <b>TO Terminal operator</b>
1131	Code list identification code	C an..17	N	Not used
3055	Code list responsible agency code	C an..3	N	Not used
9302	Sealing party name	C an..35	C an..35	
4517	Seal condition code	C an..3	O an..3	<b>1 In right condition</b> <b>2 Damaged</b>
C208	Identity number range	C	N	
7402	Object identifier	M an..35	N	Not used
7402	Object identifier	C an..35	N	Not used

**Remark:**  
Information about a container's seal(s)

**Example:**  
SEL+87579855+SH:::X+1'

Counter	No	Tag	St	MaxOcc	Level	Name
0700		<b>SG15</b>	Y	99	2	DGS
0710	22	<b>DGS</b>	M	1	2	Dangerous Goods Details

Standard			Implementation	
Tag	Name	St Format	St Format	Usage / Remark
DGS				
8273	Dangerous goods regulations code	C an..3	R an..3	<b>ADR</b> European agreement on the international carriage of dangerous goods on road (ADR) <b>ANR</b> ADNR, Autorisation de transport de matieres Dangereuses pour la Navigation sur le Rhin <b>CFR</b> US, 49 Code of federal regulations <b>IMD</b> IMO IMDG code <b>RID</b> Railroad dangerous goods book (RID)
C205	Hazard code	C	R	
8351	Hazard identification code	M an..7	M an..7	
8078	Additional hazard classification identifier	C an..7	N	Not used
8092	Hazard code version identifier	C an..10	N	Not used
C234	UNDG information	C	C	
7124	United Nations Dangerous Goods (UNDG) identifier	C n4	O n4	
7088	Dangerous goods flashpoint value	C an..8	N	Not used
C223	Dangerous goods shipment flashpoint	C	C	
7106	Shipment flashpoint value	C n3	O n3	
6411	Measurement unit code	C an..3	O an..3	UNDG Number
8339	Packaging danger level code	C an..3	N	Not used
8364	Emergency procedure for ships identifier	C an..6	N	Not used
8410	Hazard medical first aid guide identifier	C an..4	N	Not used
8126	Transport emergency card identifier	C an..10	N	Not used
C235	Hazard identification placard details	C	N	
8158	Orange hazard placard upper part identifier	C an..4	N	Not used
8186	Orange hazard placard lower part identifier	C an4	N	Not used
C236	Dangerous goods label	C	N	
8246	Dangerous goods marking identifier	C an..4	N	Not used
8246	Dangerous goods marking identifier	C an..4	N	Not used
8246	Dangerous goods marking identifier	C an..4	N	Not used
8255	Packing instruction type code	C an..3	N	Not used

<b>DAKOSY</b> <u>Datenkommunikationssystem AG</u>	<b>IMP - COPARN</b>	
--	---------------------	---

8325	Hazardous means of transport category code	C an..3	N	Not used
8211	Hazardous cargo transport authorisation code	C an..3	N	Not used

**Remark:**

**Example:**

DGS+IMD+3+2058+026:CEL'

Counter	No	Tag	St	MaxOcc	Level	Name
0850		<b>SG18</b>	R	9	2	On Carriage information
						On Carriage information
0860	23	<b>TDT</b>	M	1	2	Details of transport

Standard			Implementation		
Tag	Name	St Format	St Format	Usage / Remark	
TDT					
8051	Transport stage code qualifier	M an..3	M an..3	<b>30 On-carriage transport</b>	
8028	Means of transport journey identifier	C an..17	C an..17		
C220	Mode of transport	C	R		
8067	Transport mode name code	C an..3	R an..3	<b>1 Maritime transport</b> <b>2 Rail transport</b> <b>3 Road transport</b> <b>4 Air transport</b> <b>8 Inland water transport</b> <b>9 Mode unknown</b>	
8066	Transport mode name	C an..17	N	Not used	
C228	Transport means	C	N		
8179	Transport means description code	C an..8	N	Not used	
8178	Transport means description	C an..17	N	Not used	
C040	Carrier	C	O		
3127	Carrier identifier	C an..17	O an..17		
1131	Code list identification code	C an..17	O an..17	<b>172 Carriers</b>	
3055	Code list responsible agency code	C an..3	C an..3	<b>ZZZ Mutually defined</b> <b>SMD SMDG</b> <b>182 US, Standard Carrier Alpha Code (Motor)</b>	
3128	Carrier name	C an..35	O an..35		
8101	Transit direction indicator code	C an..3	N	Not used	
C401	Excess transportation information	C	N		
8457	Excess transportation reason code	M an..3	N	Not used	
8459	Excess transportation responsibility code	M an..3	N	Not used	
7130	Customer shipment authorisation identifier	C an..17	N	Not used	
C222	Transport identification	C	O		
8213	Transport means identification name identifier	C an..9	C an..9		
1131	Code list identification code	C an..17	C an..17	<b>103 Call sign directory</b> <b>146 Means of transport identification</b> <b>11 Lloyd's register of shipping</b> <b>ZZZ Mutually defined</b>	
3055	Code list responsible agency code	C an..3	C an..3		
8212	Transport means identification name	C an..35	O an..35		
8453	Transport means nationality code	C an..3	O an..3		

**DAKOSY**  
Datenkommunikationssystem AG

**IMP - COPARN**



8281	Transport means ownership indicator code	C an..3	N	Not used
------	--	---------	---	----------

**Remark:**

**Example:**

TDT+30++9++UFE:172:ZZZ:CSX+++C4TK2:103:11:LARISSA:DK'

Counter	No	Tag	St	MaxOcc	Level	Name
0850		<b>SG18</b>	R	9	2	On Carriage information
						On Carriage information
0870	24	<b>DTM</b>	C	9	3	Date/time/period

Standard			Implementation	
Tag	Name	St Format	St Format	Usage / Remark
DTM				
C507	Date/time/period	M	M	
2005	Date or time or period function code qualifier	M an..3	M an..3	132 Arrival date/time, estimated 133 Departure date/time, estimated 178 Arrival date/time, actual 186 Departure date/time, actual
2380	Date or time or period value	C an..35	C an..35	
2379	Date or time or period format code	C an..3	C an..3	203 CCYYMMDDHHMM

**Remark:**

**Example:**

DTM+132:201307060800:203'

Counter	No	Tag	St	MaxOcc	Level	Name
0880		<b>SG19</b>	C	9	3	LOC
0890	25	<b>LOC</b>	M	1	3	Place/location identification

Standard			Implementation	
Tag	Name	St Format	St Format	Usage / Remark
LOC				
3227	Location function code qualifier	M an..3	M an..3	<b>7 Place of delivery</b> <b>8 Place of destination</b> <b>9 Place/port of loading</b> <b>11 Place/port of discharge</b> <b>13 Place of transshipment</b> <b>88 Place of receipt</b> <b>170 Final port of discharge</b> <b>171 Place of destination for pre-stacking prior to stowage</b> <b>175 Activity location</b>
C517	Location identification	C	R	
3225	Location name code	C an..25	O an..25	
1131	Code list identification code	C an..17	O an..17	<b>139 Port</b>
3055	Code list responsible agency code	C an..3	O an..3	<b>6 UN/ECE (United Nations - Economic Commission for Europe)</b>
3224	Location name	C an..256	O an..256	
C519	Related location one identification	C	N	
3223	First related location name code	C an..25	N	Not used
1131	Code list identification code	C an..17	N	Not used
3055	Code list responsible agency code	C an..3	N	Not used
3222	First related location name	C an..70	N	Not used
C553	Related location two identification	C	N	
3233	Second related location name code	C an..25	N	Not used
1131	Code list identification code	C an..17	N	Not used
3055	Code list responsible agency code	C an..3	N	Not used
3232	Second related location name	C an..70	N	Not used
5479	Relation code	C an..3	N	Not used

**Remark:**

**Example:**

LOC+88+AUMEL:139:6:X'

Counter	No	Tag	St	MaxOcc	Level	Name
0910		<b>SG20</b>	C	9	2	Presenter Party (Summary Declaration)
0920	26	<b>NAD</b>	M	1	2	Name and address

Standard			Implementation	
Tag	Name	St Format	St Format	Usage / Remark
NAD				
3035	Party function code qualifier	M an..3	M an..3	<b>CB Customs broker</b>
C082	Party identification details	C	O	
3039	Party identifier	M an..35	M an..35	
1131	Code list identification code	C an..17	C an..17	<b>160 Party identification</b> <b>172 Carriers</b>
3055	Code list responsible agency code	C an..3	C an..3	<b>7 CEFIC (Conseil Europeen des Federations de l'Industrie Chimique)</b> <b>9 EAN (International Article Numbering association)</b> <b>10 ODETTE</b> <b>16 US, D&amp;B (Dun &amp; Bradstreet Corporation)</b> <b>20 BIC (Bureau International des Containeurs)</b> <b>87 Assigned by carrier</b> <b>163 US, FMC (Federal Maritime Commission)</b> <b>166 US, National Motor Freight Classification Association</b> <b>184 AU, ACOS (Australian Chamber of Shipping)</b> <b>SMD SMDG</b>
C058	Name and address	C	O	
3124	Name and address description	M an..35	M an..35	
3124	Name and address description	C an..35	C an..35	
3124	Name and address description	C an..35	C an..35	
3124	Name and address description	C an..35	C an..35	
3124	Name and address description	C an..35	C an..35	
C080	Party name	C	N	
3036	Party name	M an..35	N	Not used
3036	Party name	C an..35	N	Not used
3036	Party name	C an..35	N	Not used
3036	Party name	C an..35	N	Not used
3036	Party name	C an..35	N	Not used
3045	Party name format code	C an..3	N	Not used
C059	Street	C	N	
3042	Street and number or post office box identifier	M an..35	N	Not used
3042	Street and number or post office box identifier	C an..35	N	Not used
3042	Street and number or post office box identifier	C an..35	N	Not used
3042	Street and number or post office box identifier	C an..35	N	Not used
3164	City name	C an..35	N	Not used

C819	Country sub-entity details	C	N	
3229	Country sub-entity name code	C an..9	N	Not used
1131	Code list identification code	C an..17	N	Not used
3055	Code list responsible agency code	C an..3	N	Not used
3228	Country sub-entity name	C an..35	N	Not used
3251	Postal identification code	C an..17	N	Not used
3207	Country name code	C an..3	N	Not used

**Remark:**

**Example:**

NAD+CB+PON:172:20+X:X:X:X:X'

Counter	No	Tag	St	MaxOcc	Level	Name
0980	27	<b>UNT</b>	M	1	0	Message trailer

		Standard	Implementation	
Tag	Name	St Format	St Format	Usage / Remark
UNT				
0074	Number of segments in a message	M n..10	M n..10	
0062	Message reference number	M an..14	M an..14	

**Remark:**

**Example:**

UNT+24+00000000006944'

<b>DAKOSY</b> <u>Datenkommunikationssystem AG</u>	<b>IMP - COPARN</b>	
--	---------------------	---

Counter	No	Tag	St	MaxOcc	Level	Name
0000	28	<b>UNZ</b>	M	1	0	Interchange trailer

			Standard	Implementation	
Tag	Name	St	Format	St	Format / Usage / Remark
UNZ					
0036	Interchange control count	M	n..6	M	n..6
0020	Interchange control reference	M	an..14	M	an..14

**Remark:**

**Example:**

UNZ+1+EXCHGREF123456'