



IMP

Status Message (EDIFACT IFTSTA)

Business Integration for the Port of Hamburg

Message Implementation Guide

Version 2.3.1/E

(Valid from 01/2019)

DAKOSY
Datenkommunikationssystem AG

Mattentwiete 2
20457 Hamburg
www.dakosy.de

Phone: + 49 40 37003 - 0
Fax: + 49 40 37003 - 370
info@dakosy.de

Change History

Version	Concerned section	Reason	Name	Datum
1.5	All	First English version	Blanken	2010-06-30
1.6		Added status codes 935 – 938 (events related to B- and S-Numbers in the Port of Hamburg)	Blanken	2010-10-29
1.6.1		Added status codes 942, 943	Malzahn	2010-12-04
1.6.2		Addition of segment RFF with qualifier ANK	Diettrich	2011-05-16
1.6.3		Edition of status codes for authorities	Schwanke	2012-05-12
1.6.4		Change of status codes for the monitoring of B- and S-numbers Edition of codes for customs warehouse (921, 923) Deletion of code for customs warehouse (922) Addition of codes for customs warehouse (9924, 926-927, 929, 942-946 / 970-972)	Diettrich	2012-08-13
1.7		Addition of code for customs warehouse: code 948, information about the partial completion of a SumA for a container	Diettrich	2012-09-03
1.8		Addition of ATB position data for the confirmation and completion of ATB no.	Diettrich	2012-11-05
1.8a		Addition of status codes for authorities (925, 928) Edition of status codes for customs warehouse (942, 946)	Diettrich	2012-11-12
1.9		ATB position data also in case of status 930; Position data complemented by a specific key and B/L allocation	Schwanke	2012-12-06
2.0		New status codes for LCL import operation instruction, New status codes for confirmation of customs declaration, New status 922 for cancellation of GVDE	Diettrich	2013-05-07
2.1		The status codes and introducing descriptions have been extracted and transferred into the separate document "IMP General introduction and explanation of status codes", since they equally apply for both guides, EDIFACT IFTSTA as well as the Status XML.	Diettrich	2014-07-28
2.2		Addition of FTX+TRA++ANK and completion reference on GID level. Edition of description concerning the depository. Addition of examples. Smaller corrections.	Diettrich	23.06.2015
2.3		Addition of customs contact information in case of examination orders (SG10/FTX)	Diettrich	11.07.2017
23.1	TDT+20	Vessel nationality changed from N to C	Schwanke	25.09.219

Change requests

DAKOSY

Datenkommunikationssystem AG

Mattentwiete 2

20457 Hamburg

1. Phone: + 49 40 37003 - 0
2. Email: info@dakosy.de

Used tools

Number	Used tools
W1	This document was created with the word processing programme MS Word 2010 .

Applicable Documents

The EDI manual “General Part” provides descriptions about main principles established for each data interchange via DAKOSY. The definitions set out therein, the customer’s cooperation duties as well as the basis of the communication process also apply for the interface described in the manual at hand.

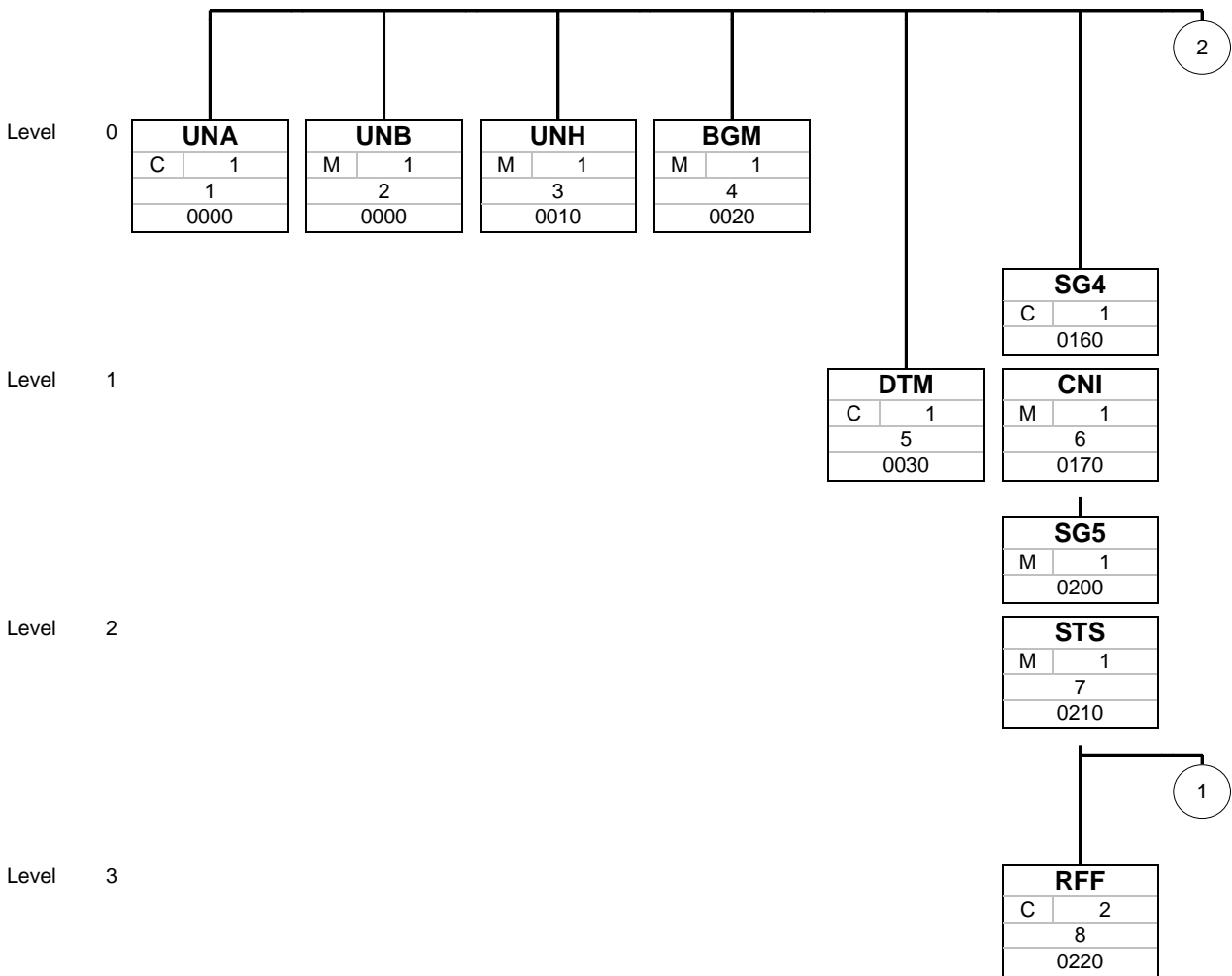
Table of contents

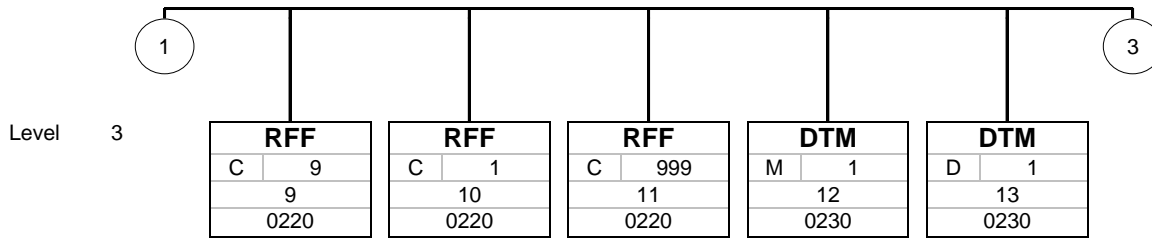
1	Message Structure	5
2	Branching Diagram	6
3	Segment Description	13
4	Example Messages	49
4.1	Customs, summary declaration and customs follow-up procedures	49
4.1.1	Seaside delivery	49
4.1.1.1	Status 930 –Preliminary ATB-number	49
4.1.1.2	Status 934 – SumA confirmed.....	49
4.1.1.3	Status 941 – SumA process finished	50
4.1.1.4	Status 941 – SumA process finished (manual completion	50
4.1.1.5	Status 942 – Completion of depository	51
4.1.1.6	Status 946 – Announcement change of depository	52

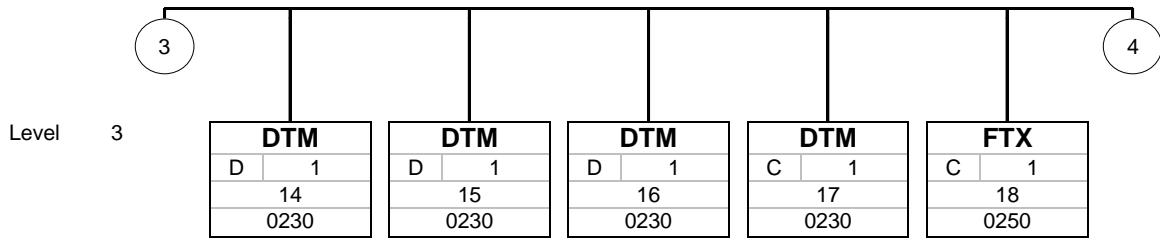
1 Message Structure

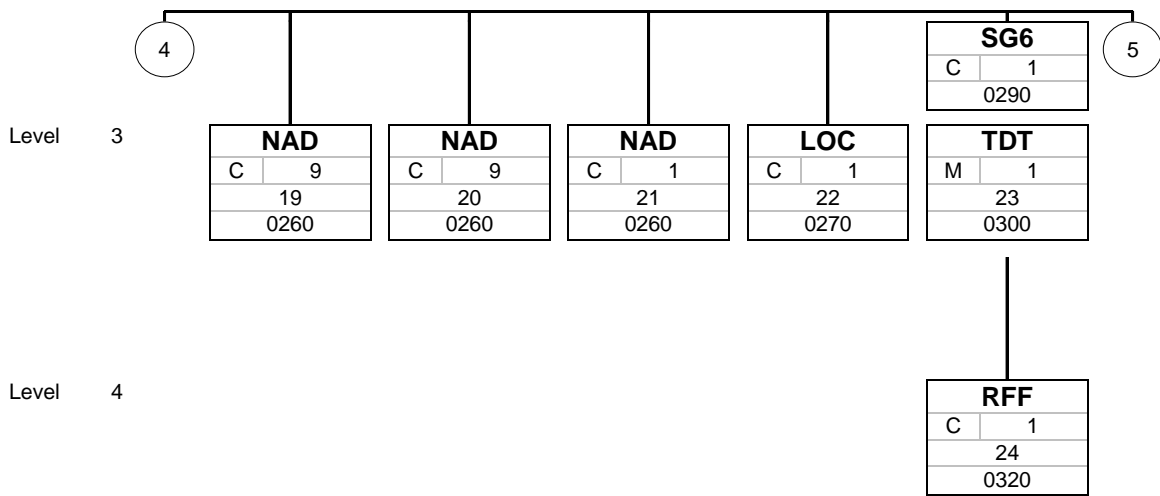
Counte	No	Tag	St	MaxOcc	Level	Content
0000	1	UNA	C	1	0	Service string advice
0000	2	UNB	M	1	0	Interchange header
0010	3	UNH	M	1	0	Message header
0020	4	BGM	M	1	0	Beginning of message
0030	5	DTM	C	1	1	Date/time/period
0160		SG4	C	1	1	CNI-SG5
0170	6	CNI	M	1	1	Consignments
0200		SG5	M	1	2	STS-RFF-RFF-RFF-RFF-DTM-DTM-DTM-DTM-DTM-DTM-FTX-NAD-NAD-NAD-LOC-SG6-SG8-SG10
0210	7	STS	M	1	2	Status
0220	8	RFF	C	2	3	IMP Reference or CNTR/BL
0220	9	RFF	C	9	3	Additional References (Line)
0220	10	RFF	C	1	3	Information concerning the Completion (deprecated)
0220	11	RFF	C	999	3	Reference to BGM Document Number
0230	12	DTM	M	1	3	Event Date
0230	13	DTM	D	1	3	Date of Inspection
0230	14	DTM	D	1	3	New ETA
0230	15	DTM	D	1	3	Discharge Date (Begin)
0230	16	DTM	D	1	3	Discharge Date (End)
0230	17	DTM	C	1	3	Expiry Date
0250	18	FTX	C	1	3	Additional Information
0260	19	NAD	C	9	3	Original message sender
0260	20	NAD	C	9	3	Involved Party
0260	21	NAD	C	1	3	Depository
0270	22	LOC	C	1	3	Event Location
0290		SG6	C	1	3	TDT-RFF
0300	23	TDT	M	1	3	Vessel Information
0320	24	RFF	C	1	4	Call Sign
0360		SG8	C	1	3	EQD-SEL
0370	25	EQD	M	1	3	Container Information
0400	26	SEL	O	9	4	Seal information
0470		SG10	D	999	3	GID-FTX-FTX-FTX-FTX-FTX-FTX-SG11
0480	27	GID	M	1	3	Goods Item Details
0520	28	FTX	C	2	4	References
0520	29	FTX	C	5	4	Customs reference subsequent procedure
0520	30	FTX	C	1	4	Free Text B/L allocation
0520	31	FTX	C	1	4	Goods Description
0520	32	FTX	C	1	4	Additional information
0520	33	FTX	C	1	4	Customs' contact
0530		SG11	C	1	4	MEA
0540	34	MEA	M	1	4	Measurements
0620	35	UNT	M	1	0	Message trailer
0000	36	UNZ	M	1	0	Interchange trailer

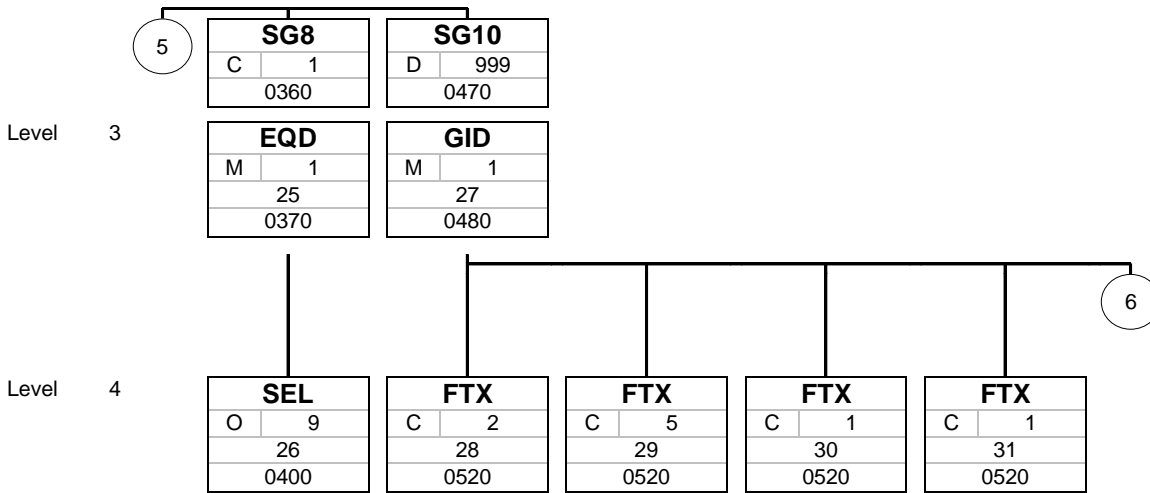
2 Branching Diagram

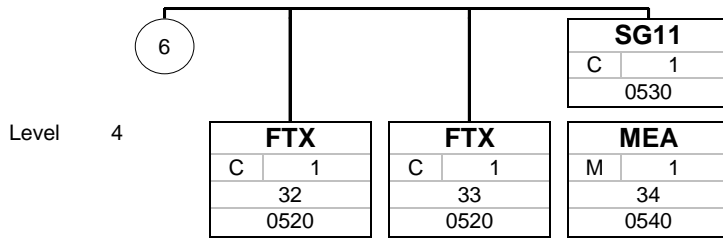












Counter	No	Tag	Var	St	MaxOcc	Level	Name
---------	----	-----	-----	----	--------	-------	------

0000	2	UNB	1	M	1	0	Interchange header
------	---	------------	---	---	---	---	--------------------

		Standard	Implementation	
Tag	Name	St	Format	Usage / Remark
UNB				
S001	Syntax identifier	M	M	
0001	Syntax identifier	M a4	M a4	UNOC UN/ECE level C
0002	Syntax version number	M an1	M an1	3 Version 3
S002	Interchange sender	M	M	
0004	Interchange sender identification	M an..35	M an..35	
S003	Interchange recipient	M	M	
0010	Interchange recipient identification	M an..35	M an..35	
S004	Date and time of preparation	M	M	
0017	Date	M n8	M n8	CCYYMMDD
0019	Time	M n4	M n4	HHMM
0020	Interchange control reference	M an..14	M an..14	
S005	Recipient reference/password details	C	N	
0022	Recipient reference/password	M an..14	N	Not used
0026	Application reference	C an..14	N	Not used
0029	Processing priority code	C a1	N	Not used
0031	Acknowledgement request	C n1	N	Not used
0032	Interchange agreement identifier	C an..35	N	Not used
0035	Test indicator	C n1	D n1	1 Interchange is a test Only allowed and required, if file has to be processed as a test file. This flag must not be sent to a production system.

Remark:

Example:

UNB+UNOC:3+EUK+DKK+20190914:1600+3144+++++1'

Counter	No	Tag	Var	St	MaxOcc	Level	Name
---------	----	-----	-----	----	--------	-------	------

0010	3	UNH	1	M	1	0	Message header
------	---	------------	---	---	---	---	----------------

		Standard	Implementation	
Tag	Name	St Format	St Format	Usage / Remark
UNH				
0062	Message reference number	M an..14	M an..14	
S009	Message identifier	M	M	
0065	Message type	M an..6	M an..6	
0052	Message version number	M an..3	M an..3	
0054	Message release number	M an..3	M an..3	
0051	Controlling agency, coded	M an..3	M an..3	

Remark:

Please note that the UNH segment can only be repeated once within one message.
 The number of repetitions with the value 1 within the UNH segment does not mean that only one single message can be send within a transmission file. An interchange (UNB-UNZ) may include several messages as defined from the UNECE.

Example:

UNH+4444+IFTSTA:D:00B:UN'

Counter	No	Tag	Var	St	MaxOcc	Level	Name
---------	----	-----	-----	----	--------	-------	------

0020	4	BGM	1	M	1	0	Beginning of message
------	---	------------	---	---	---	---	----------------------

		Standard	Implementation	
Tag	Name	St Format	St Format	Usage / Remark
BGM				
C002	Document/message name	C	C	
1001	Document name code	C an..3	R an..3	23 Status information
1131	Code list identification code	C an..17	N	Not used
3055	Code list responsible agency code	C an..3	N	Not used
1000	Document name	C an..35	C an..35	
C106	Document/message identification	C	C	
1004	Document identifier	C an..35	C an..35	

Remark:

Example:

BGM+23:::STATUS MESSAGE+4444'

Counter	No	Tag	Var	St	MaxOcc	Level	Name
---------	----	-----	-----	----	--------	-------	------

0030	5	DTM	1	C	1	1	Date/time/period
------	---	------------	---	---	---	---	------------------

		Standard	Implementation	
Tag	Name	St Format	St Format	Usage / Remark
DTM				
C507	Date/time/period	M	M	
2005	Date or time or period function code qualifier	M an..3	M an..3	137 Document/message date/time
2380	Date or time or period value	C an..35	R an..35	
2379	Date or time or period format code	C an..3	C an..3	203 CCYMMDDHHMM

Remark:

Example:

DTM+137:20151128:203'

Counter	No	Tag	Var	St	MaxOcc	Level	Name
0160		SG4	1	C	1	1	CNI-SG5
0170	6	CNI	1	M	1	1	Consignments

			Standard	Implementation	
Tag	Name		St Format	St Format	Usage / Remark
CNI					
1490	Consolidation item number		C n..4	C n..4	

Remark:

Example:

CNI+1'

Counter No	Tag	Var	St	MaxOcc	Level	Name
0200	SG5	1	M	1	2	STS-RFF-DTM-FTX-NAD-LOC-SG6-SG8-SG10
0210	STS	1	M	1	2	Status

Standard			Implementation	
Tag	Name	St Format	St Format	Usage / Remark
STS				
C601	Status category	C	N	
9015	Status category code	M an..3	N	Not used
C555	Status	C	R	
4405	Status description code	M an..3	M an..3	Status event, coded Code identifying a status event. Note: User or association defined code. May be used in combination with 1131/3055.
1131	Code list identification code	C an..17	C an..17	IMP01
3055	Code list responsible agency code	C an..3	C an..3	DAK
4404	Status description	C an..35	C an..35	A textual description of the status event

Remark:

Example:

STS++930:IMP01:DAK:SUMA'

Counter	No	Tag	Var	St	MaxOcc	Level	Name
0200		SG5	1	M	1	2	STS-RFF-DTM-FTX-NAD-LOC-SG6-SG8-SG10
0220	8	RFF	1	C	2	3	IMP Reference or CNTR/BL

Standard			Implementation	
Tag	Name	St Format	St Format	Usage / Remark
RFF				
C506	Reference	M	M	
1153	Reference code qualifier	M an..3	M an..3	IMP BM Bill of lading number EQ Equipment number
1154	Reference identifier	C an..70	R an..70	The Import Reference affected by the status change. If the process is not associated with an IMP reference, the B/L number and Container ID have to be reported instead.

Remark:

The IMP Reference affected by the status change.

Example:

RFF+IMP:IHH190917100000177'

Counter	No	Tag	Var	St	MaxOcc	Level	Name
0200		SG5	1	M	1	2	STS-RFF-DTM-FTX-NAD-LOC-SG6-SG8-SG10
0220	9	RFF	2	C	9	3	Additional References (Line)

Standard			Implementation	
Tag	Name	St Format	St Format	Usage / Remark
RFF				
C506	Reference	M	M	
1153	Reference code qualifier	M an..3	M an..3	ABT Customs declaration number ZZZ Mutually defined reference number ACG ATA carnet number BNR B Number SNR S Number BH House bill of lading number AEI Registration number of previous Customs declaration
1154	Reference identifier	C an..70	R an..70	To specify miscellaneous references; the type of reference is qualified with TypeCode.
1156	Document line identifier	C an..6	C an..6	C Konsolidierte ATB-Nummer/ Consolidated ATB no. Indicator of consolidation: to be specified for ATB no., if a new (consolidated) ATB no. is created in the course of a depository change for single ATB no. of a container.

Remark:

Example:

RFF+ABT:ATB150028851220104851:C'

Counter	No	Tag	Var	St	MaxOcc	Level	Name
0200		SG5	1	M	1	2	STS-RFF-DTM-FTX-NAD-LOC-SG6-SG8-SG10
0220	10	RFF	3	C	1	3	Information concerning the Completion (deprecated)

		Standard	Implementation	
Tag	Name	St Format	St Format	Usage / Remark
RFF				
C506	Reference	M	M	
1153	Reference code qualifier	M an..3	M an..3	AHZ Customs release code AFM Secondary Customs reference
1154	Reference identifier	C an..70	R an..21	To specify miscellaneous references; the type of reference is qualified with TypeCode.
1156	Document line identifier	C an..6	C an..6	AUFT Aufteilung KONS Konsolidierung MANU Manuelle Erledigung NCTS Versandverfahren W-VV Wiederausfuhr/Versand 444-448 ZB Zollbehandlung AUFT = Splitting KONS = consolidation MANU = manual completion NCTS = Dispatch procedure W-VV = Reexport/dispatch 444-448 ZB = Customs treatment

Remark:

Obsolete, to be removed in next release. Announcement will be made in an upcoming IMP newsletter. In the future the contents of this segment will be transmitted on the goods item level in segment group 10 of an FTX segment.

Example:

RFF+AHZ:ATC710000330820125872:ZB'

Counter	No	Tag	Var	St	MaxOcc	Level	Name
0200		SG5	1	M	1	2	STS-RFF-DTM-FTX-NAD-LOC-SG6-SG8-SG10
0220	11	RFF	4	C	999	3	Reference to BGM Document Number

Standard			Implementation		
Tag	Name	St Format	St Format	Usage / Remark	
RFF					
C506	Reference	M	M		
1153	Reference code qualifier	M an..3	M an..3	ANK Reference number assigned by third party	
1154	Reference identifier	C an..70	R an..70	Qualifier ANK, specification of document number, on which this message depends on. Here the BGM reference of the corresponding manifest.	

Remark:

To declare a document number on which this message depends on.

Example:

RFF+ANK:5456464'

Counter	No	Tag	Var	St	MaxOcc	Level	Name
0200		SG5	1	M	1	2	STS-RFF-DTM-FTX-NAD-LOC-SG6-SG8-SG10
0230	12	DTM	1	M	1	3	Event Date

Standard			Implementation	
Tag	Name	St Format	St Format	Usage / Remark
DTM				
C507	Date/time/period	M	M	
2005	Date or time or period function code qualifier	M an..3	M an..3	334 Status change date/time
2380	Date or time or period value	C an..35	R an..35	Date specifying when an event has occurred
2379	Date or time or period format code	C an..3	R an..3	102 CCYMMDD 203 CCYMMDDHHMM 204 CCYMMDDHHMMSS

Remark:

Example:

DTM+334:201908141355:203'

Counter	No	Tag	Var	St	MaxOcc	Level	Name
0200		SG5	1	M	1	2	STS-RFF-DTM-FTX-NAD-LOC-SG6-SG8-SG10
0230	13	DTM	2	D	1	3	Date of Inspection

			Standard	Implementation	
Tag	Name		St Format	St Format	Usage / Remark
DTM					
C507	Date/time/period		M	M	
2005	Date or time or period function code qualifier		M an..3	M an..3	351 Inspection date
2380	Date or time or period value		C an..35	R an..35	Used to specify the date when an inspection should take place (only used for status code 922)
2379	Date or time or period format code		C an..3	R an..3	203 CCYYMMDDHHMM 102 CCYYMMDD

Remark:

Example:

DTM+351:201909291500:203'

Counter	No	Tag	Var	St	MaxOcc	Level	Name
0200		SG5	1	M	1	2	STS-RFF-DTM-FTX-NAD-LOC-SG6-SG8-SG10
0230	14	DTM	3	D	1	3	New ETA

			Standard	Implementation	
Tag	Name	St	Format	St	Format / Usage / Remark
DTM					
C507	Date/time/period	M		M	
2005	Date or time or period function code qualifier	M	an..3	M	an..3 132 Arrival date/time, estimated
2380	Date or time or period value	C	an..35	M	an..35 The new ETA of a vessel (only used with status codes 912 and 913)
2379	Date or time or period format code	C	an..3	R	an..3 102 CCYYMMDD 203 CCYYMMDDHHMM

Remark:

Example:

DTM+132:20190830:102'

Counter	No	Tag	Var	St	MaxOcc	Level	Name
0200		SG5	1	M	1	2	STS-RFF-DTM-FTX-NAD-LOC-SG6-SG8-SG10
0230	15	DTM	4	D	1	3	Discharge Date (Begin)

			Standard	Implementation	
Tag	Name		St Format	St Format	Usage / Remark
DTM					
C507	Date/time/period		M	M	
2005	Date or time or period function code qualifier		M an..3	M an..3	96 Discharge date/time
2380	Date or time or period value		C an..35	R an..35	Discharge (begin) - Used only in conjunction with status codes 912 and 913
2379	Date or time or period format code		C an..3	R an..3	102 CCYYMMDD 203 CCYYMMDDHHMM

Remark:

Example:

DTM+96:201909011530:102'

Counter	No	Tag	Var	St	MaxOcc	Level	Name
0200		SG5	1	M	1	2	STS-RFF-DTM-FTX-NAD-LOC-SG6-SG8-SG10
0230	16	DTM	5	D	1	3	Discharge Date (End)

			Standard	Implementation	
Tag	Name	St	Format	St	Format / Usage / Remark
DTM					
C507	Date/time/period	M		M	
2005	Date or time or period function code qualifier	M	an..3	M	an..3
2380	Date or time or period value	C	an..35	R	an..35
2379	Date or time or period format code	C	an..3	R	an..3
					413 Discharge and loading completed date/time
					Discharge (end) - Used only in conjunction with status codes 912, 913 and 959
					102 CCYYMMDD
					203 CCYYMMDDHHMM

Remark:

Example:

DTM+413:201909012345:102'

Counter	No	Tag	Var	St	MaxOcc	Level	Name
0200		SG5	1	M	1	2	STS-RFF-DTM-FTX-NAD-LOC-SG6-SG8-SG10
0230	17	DTM	6	C	1	3	Expiry Date

Standard			Implementation	
Tag	Name	St Format	St Format	Usage / Remark
DTM				
C507	Date/time/period	M	M	
2005	Date or time or period function code qualifier	M an..3	M an..3	36 Expiry date
2380	Date or time or period value	C an..35	R an..35	Expiration date; date or time up until e.g. an ATB no. is valid
2379	Date or time or period format code	C an..3	R an..3	102 CCYYMMDD 203 CCYYMMDDHHMM

Remark:

Example:

DTM+36:201911062130:102'

Counter	No	Tag	Var	St	MaxOcc	Level	Name
0200		SG5	1	M	1	2	STS-RFF-DTM-FTX-NAD-LOC-SG6-SG8-SG10
0250	18	FTX	1	C	1	3	Additional Information

Standard			Implementation	
Tag	Name	St Format	St Format	Usage / Remark
FTX				
4451	Text subject code qualifier	M an..3	M an..3	AAI General information
4453	Free text function code	C an..3	N	Not used
C107	Text reference	C	N	
4441	Free text value code	M an..17	N	Not used
C108	Text literal	C	C	
4440	Free text value	M an..512	M an..512	Additional free text information concerning a status event

Remark:

Example:

FTX+AAI+++IMP STATUS INFORMATION'

Counter	No	Tag	Var	St	MaxOcc	Level	Name
0200		SG5	1	M	1	2	STS-RFF-DTM-FTX-NAD-LOC-SG6-SG8-SG10
0260	19	NAD	1	C	9	3	Original message sender

Standard			Implementation	
Tag	Name	St Format	St Format	Usage / Remark
NAD				
3035	Party function code qualifier	M an..3	M an..3	DDB Initial sender
C082	Party identification details	C	R	
3039	Party identifier	M an..35	M an..35	VETI Veterinäramt Grenzdienst PGZK Pflanzengesundheitskontrolle ZOLL Rückmeldungen aus ATLAS oder dem ZAPP-System VETI = Veterinary inspection office border services PGZK = Phytosanitary inspection ZOLL = Responses/Acknowledgements from ATLAS or the ZAPP system More/other DAKOSY participant codes are possible.

Remark:

This segment may be used to provide information about the original message sender, e.g. the terminal who reported the "Lösch-Ist" (actual deletion).

Example:

NAD+DDB+ZOLL'

Counter	No	Tag	Var	St	MaxOcc	Level	Name
0200		SG5	1	M	1	2	STS-RFF-DTM-FTX-NAD-LOC-SG6-SG8-SG10
0260	20	NAD	2	C	9	3	Involved Party 33;

		Standard	Implementation	
Tag	Name	St Format	St Format	Usage / Remark
NAD				
3035	Party function code qualifier	M an..3	M an..3	34;
C082	Party identification details	C	C	
3039	Party identifier	M an..35	M an..35	36;
C058	Name and address	C	C	
3124	Name and address description	M an..35	M an..35	38;
3124	Name and address description	C an..35	C an..35	39;
3124	Name and address description	C an..35	C an..35	40;
3124	Name and address description	C an..35	C an..35	41;
3124	Name and address description	C an..35	C an..35	42;

Remark:

Details on a party involved in an IMP process. The "Party Qualifier" (Data Element 3035) describes, how the party is involved with the process.

Example:

NAD+VQ+EUR+EUROGATE:HAMBURG:X:X:X'

Counter	No	Tag	Var	St	MaxOcc	Level	Name
0200		SG5	1	M	1	2	STS-RFF-DTM-FTX-NAD-LOC-SG6-SG8-SG10
0260	21	NAD	3	C	1	3	Depository 43;

		Standard	Implementation	
Tag	Name	St Format	St Format	Usage / Remark
NAD				
3035	Party function code qualifier	M an..3	M an..3	GC Goods custodian 44;
C082	Party identification details	C	N	
3039	Party identifier	M an..35	M an..35	46;
C058	Name and address	C	R	
3124	Name and address description	M an..35	M an..17	EORI 48;
3124	Name and address description	C an..35	C n4	Office number 49;

Remark:

EORI and branch no. of the participant who cares about the deposit.
 The depository will only be transmitted in status messages relating to a summary declaration (ATB no.) and earliest, if it has been successfully confirmed.

Example:

NAD+GC++DE123456789:0001'

Counter	No	Tag	Var	St	MaxOcc	Level	Name
0200		SG5	1	M	1	2	STS-RFF-DTM-FTX-NAD-LOC-SG6-SG8-SG10
0270	22	LOC	1	C	1	3	Event Location 50;

		Standard	Implementation	
Tag	Name	St Format	St Format	Usage / Remark
LOC				
3227	Location function code qualifier	M an..3	M an..3	172 Reporting location 51;
C517	Location identification	C	R	
3225	Location name code	C an..25	M an..25	To identify a location or place with an identifier 53;
1131	Code list identification code	C an..17	C an..17	54;
3055	Code list responsible agency code	C an..3	C an..3	55;
3224	Location name	C an..256	C an..256	The name of a location or place in plain text 56;
C519	Related location one identification	C	R	
3223	First related location name code	C an..25	D an..25	Berth code - Mandatory for terminal status messages 58;
1131	Code list identification code	C an..17	N	59; Not used
3055	Code list responsible agency code	C an..3	N	60; Not used
3222	First related location name	C an..70	C an..70	61;

Remark:

Location or place where an event has occurred.

Example:

LOC+172+DEHAM:::HAMBURG+EUR:::EUROGATE'

Counter	No	Tag	Var	St	MaxOcc	Level	Name
0290		SG6	1	C	1	3	TDT-RFF
0300	23	TDT	1	M	1	3	Vessel Information 63;

		Standard	Implementation	
Tag	Name	St Format	St Format	Usage / Remark
TDT				
8051	Transport stage code qualifier	M an..3	M an..3	1 Inland transport 20 Main-carriage transport 64;
8028	Means of transport journey identifier	C an..17	C an..17	65; Carrier's voyage number as sent in the manifest data
C220	Mode of transport	C	C	
8067	Transport mode name code	C an..3	C an..3	1 Maritime transport 67;
C228	Transport means	C	C	
8179	Transport means description code	C an..8	C an..8	69;
C040	Carrier	C	C	
3127	Carrier identifier	C an..17	C an..17	71;
1131	Code list identification code	C an..17	C an..17	72;
3055	Code list responsible agency code	C an..3	C an..3	73;
3128	Carrier name	C an..35	C an..35	74;
8101	Transit direction indicator code	C an..3	C an..3	75;
C401	Excess transportation information	C	N	
8457	Excess transportation reason code	M an..3	M an..3	77;
C222	Transport identification	C	C	
8213	Transport means identification name identifier	C an..9	C an..9	IMO-Nummer; Rufzeichen kann in nachfolgendem RFF+VM übertragen werden. 79;
1131	Code list identification code	C an..17	C an..17	80;
3055	Code list responsible agency code	C an..3	C an..3	81;
8212	Transport means identification name	C an..35	C an..35	82;
8453	Transport means nationality code	C an..3	C an..3	Flag of vessel (ISO Country code) according to the carrier's manifest data.

Remark:

Information on the means of transport to which a status event is related.

Example:

TDT+20+CD2407E+1+13+HLM:::HAPAG LLOYD+++9001240::11:HAMBURG EXPRESS:DE'

Counter	No	Tag	Var	St	MaxOcc	Level	Name
0290		SG6	1	C	1	3	TDT-RFF
0320	24	RFF	1	C	1	4	Call Sign 83;

Standard			Implementation	
Tag	Name	St Format	St Format	Usage / Remark
RFF				
C506	Reference	M	M	
1153	Reference code qualifier	M an..3	M an..3	VM Vessel identification 85;
1154	Reference identifier	C an..70	R an..70	86;

Remark:

Example:

RFF+VM:CAG8V'

Counter	No	Tag	Var	St	MaxOcc	Level	Name
0360		SG8	1	C	1	3	EQD-SEL
Properties of a specific container affected by a status event.							
0370	25	EQD	1	M	1	3	Container Information 88;

		Standard	Implementation	
Tag	Name	St Format	St Format	Usage / Remark
EQD				
8053	Equipment type code qualifier	M an..3	M an..3	CN Container 89;
C237	Equipment identification	C	R	
8260	Equipment identifier	C an..17	D an..17	Container number If segment group EQD is used to submit information about individual items in a summary declaration of temporary storage for bulk cargo, no container number will be reported. 91;
C224	Equipment size and type	C	C	
8155	Equipment size and type description code	C an..10	N	93; Not used
8077	Equipment supplier code	C an..3	N	94; Not used
8249	Equipment status code	C an..3	N	95; Not used
8169	Full or empty indicator code	C an..3	O an..3	Container SizeType 96;

Remark:

Example:

EQD+CN+HJCU1204781'

Counter	No	Tag	Var	St	MaxOcc	Level	Name
0360		SG8	1	C	1	3	EQD-SEL
0400	26	SEL	1	O	9	4	Seal information 97;

		Standard	Implementation	
Tag	Name	St Format	St Format	Usage / Remark
SEL				
9308	Seal identifier	C an..35	C an..35	98;

Remark:

Example:

SEL+1214550778'

Counter No	Tag	Var	St	MaxOcc	Level	Name
------------	-----	-----	----	--------	-------	------

0470	SG10	1	D	999	3	GID-FTX-SG11
------	-------------	---	---	-----	---	---------------------

Contrary to the standard definition, the maximum number of repetitions must be set to 999. In some cases the number of 99 repetitions has not been sufficient.

Segment group GID is used to submit information to individual ATB items. Used in case of prior notification (930), confirmation (status 934) and completions (status 941) of a summary declaration. The following data will be transmitted, if available:

- Position of ATB no.
 - Number of packages
 - Package type
 - Goods description
 - Gross weight
 - Specific key
 - Allocation to B/L line
- Database:

prior ATB: manifest data

confirmed or completed ATB: data of depository note or completion message

0480	27	GID	1	M	1	3	Goods Item Details 100;
------	----	------------	---	---	---	---	------------------------------------

		Standard	Implementation	
Tag	Name	St Format	St Format	Usage / Remark
GID				
1496	Goods item number	C n..5	R n..4	Item no. of summary declaration 101;
C213	Number and type of packages	C	R	Number and type of package(s) prior ATB: manifest data confirmed or completed ATB: data of depository note or completion message
7224	Package quantity	C n..8	R n..5	Number of packages; in case of confirmation or completion of an ATB possibly the parts. Please note, that a GID position could be assigned to several summary declarations, e.g. a BL-position, assigned to three containers. 103;
7065	Package type description code	C an..17	C an..3	Package type, coded 104;

Remark:

Example:

GID+1+9:PK'

Counter	No	Tag	Var	St	MaxOcc	Level	Name
0470		SG10	1	D	999	3	GID-FTX-SG11
0520	28	FTX	1	C	2	4	References 105;

		Standard	Implementation	
Tag	Name	St Format	St Format	Usage / Remark
FTX				
4451	Text subject code qualifier	M an..3	M an..3	TRA Transportation information 106;
4453	Free text function code	C an..3	N	107; Not used
C107 Text reference				
4441	Free text value code	M an..17	M an..17	ZZZ spezifischer Ordnungsbegriff ANK BGM-Referenz des zugehörigen B/Ls 109;
C108 Text literal				
4440	Free text value	M an..512	M an..44	111;

Remark:

This segment is used to submit additional references to an ATB item. For each reference type (ANK, ZZZ) only one repetition is allowed.

Example:

FTX+TRA++ZZZ+CCLU1223445/CCLU12234451211290'

Counter	No	Tag	Var	St	MaxOcc	Level	Name
0470		SG10	1	D	999	3	GID-FTX-SG11
0520	29	FTX	2	C	5	4	Customs reference subsequent procedure 112;

		Standard	Implementation	
Tag	Name	St Format	St Format	Usage / Remark
FTX				
4451	Text subject code qualifier	M an..3	M an..3	CUS Customs declaration information 113;
4453	Free text function code	C an..3	N	114; Not used
C107				
4441	Free text value code	M an..17	M an3	AHZ Weiterer Nachweis (ATLAS-Registriernummer) 116;
C108				
4440	Free text value	M an..512	R an..4	Type of completion AUFT Aufteilung KONS Konsolidierung MANU Manuelle Erledigung NCTS Versandverfahren W-VV Wiederausfuhr/Versand 444-448 ZB Zollbehandlung AUFT = Splitting KONS = consolidation MANU = manual completion NCTS = Dispatch procedure W-VV = Reexport/dispatch 444-448 ZB = Customs treatment 118;
4440	Free text value	C an..512	C an..21	Registration number of completion procedure Further proof (ATLAS registration number) 119;
4440	Free text value	C an..512	C an..512	Further proof (other registration number) 120;

Remark:

Type of completion	AHZ	AFM
ZB	Registration number (WN)	-
Dispatch	-	MRN
Re-export	Registration number	-
Manual completion	Registration number	Other references
Splitting	new ATB-number	-
Consolidation	new ATB-number	-

Example:

FTX+CUS++AHZ+NCTS::15DE485111763618M2'

Counter	No	Tag	Var	St	MaxOcc	Level	Name
0470		SG10	1	D	999	3	GID-FTX-SG11
0520	30	FTX	3	C	1	4	Free Text B/L allocation 121;

Standard			Implementation	
Tag	Name	St Format	St Format	Usage / Remark
FTX				
4451	Text subject code qualifier	M an..3	M an..3	TRA Transportation information 122;
4453	Free text function code	C an..3	N	123; Not used
C107	Text reference	C	R	
4441	Free text value code	M an..17	M an..17	BM Bill of Lading 125;
C108	Text literal	C	R	B/L numbers and assigned line number of the B/L: the numbering of items to a B/L and the summary declaration may deviate in case of consolidated containers, partload oder several containers at one B/L. Here you will be informed to which ATB item a B/L line of a specific B/L has to be assigned to.
4440	Free text value	M an..512	M an..35	B/L no. B/L number 127;
4440	Free text value	C an..512	C n..4	GID position in the B/L previously mentioned 128;

Remark:

B/L allocation on item level

Example:

FTX+TRA++BM+BL1234:3'

Counter	No	Tag	Var	St	MaxOcc	Level	Name
0470		SG10	1	D	999	3	GID-FTX-SG11
0520	31	FTX	4	C	1	4	Goods Description 129;

		Standard	Implementation	
Tag	Name	St Format	St Format	Usage / Remark
FTX				
4451	Text subject code qualifier	M an..3	M an..3	AAA Goods description 130;
4453	Free text function code	C an..3	N	131; Not used
C107	Text reference	C	N	
4441	Free text value code	M an..17	M an..17	133;
C108	Text literal	C	R	
4440	Free text value	M an..512	M an..140	Goods description prior ATB: manifest data confirmed or completed ATB: data of depository note or completion message 135;

Remark:

Contains the goods description of the confirmation or completion of an ATB no.

Example:

FTX+AAA+++Iron oxides and hydroxides'

Counter	No	Tag	Var	St	MaxOcc	Level	Name
0470		SG10	1	D	999	3	GID-FTX-SG11
0520	32	FTX	5	C	1	4	Additional information 136;

		Standard	Implementation	
Tag	Name	St Format	St Format	Usage / Remark
FTX				
4451	Text subject code qualifier	M an..3	M an..3	ACB Additional information 137;
4453	Free text function code	C an..3	N	138; Not used
C107	Text reference	C	N	
4441	Free text value code	M an..17	M an..17	140;
C108	Text literal	C	C	
4440	Free text value	M an..512	M an..500	142;
4440	Free text value	C an..512	C an..500	Customs measure SumA 143;
3453	Language name code	C an..3	C an..3	144;

Remark:

This segment is used for additional information in case of customs regulations.
 Currently it is only used in case of status concerning the summary declaration (931 and 977).

Example:

FTX+ACB+++Weitere Informationen zur angeordneten Massnahme.:optional?: Fortsetzung der Informationen zur angeordneten Massnahme.+aa'

Counter	No	Tag	Var	St	MaxOcc	Level	Name
0470		SG10	1	D	999	3	GID-FTX-SG11
0520	33	FTX	6	C	1	4	Customs' contact 145;

		Standard	Implementation	
Tag	Name	St Format	St Format	Usage / Remark
FTX				
4451	Text subject code qualifier	M an..3	M an..3	AAH Customs information 146;
4453	Free text function code	C an..3	N	147; Not used
C107	Text reference	C	N	
4441	Free text value code	M an..17	M an..17	149;
C108	Text literal	C	R	
4440	Free text value	M an..512	M an..50	Name 151;
4440	Free text value	C an..512	C an..50	Phone number 152;
4440	Free text value	C an..512	C an..50	fax number 153;
4440	Free text value	C an..512	C an..128	email address 154;

Remark:

##

Example:

FTX+AAH+++Peter Mueller:040 1234567:040 1234569:name@domain.com'

Counter	No	Tag	Var	St	MaxOcc	Level	Name
0530		SG11	1	C	1	4	MEA
0540	34	MEA	1	M	1	4	Measurements 156;

		Standard	Implementation	
Tag	Name	St Format	St Format	Usage / Remark
MEA				
6311	Measurement purpose code qualifier	M an..3	M an..3	WT Weights 157;
C502	Measurement details	C	C	
6313	Measured attribute code	C an..3	C an..3	G Gross weight 159;
C174	Value/range	C	C	
6411	Measurement unit code	M an..3	M an..3	KGM kilogram 161;
6314	Measurement value	C an..18	C n..14	Declared weight, gross weight; format: 14,3 162;

Remark:

Declaration of weight

prior ATB: manifest data

confirmed or completed ATB: data of depository note or completion message

In case of confirmation or completion possibly the parts. Please note, that a GID position could be assigned to several summary declarations, e.g. a BL-position, assigned to three containers.

Example:

MEA+WT+G+KGM:2301.235'

Counter	No	Tag	Var	St	MaxOcc	Level	Name
0620	35	UNT	1	M	1	0	Message trailer 163;

		Standard	Implementation	
Tag	Name	St Format	St Format	Usage / Remark
UNT				
0074	Number of segments in a message	M n..10	M n..10	164;
0062	Message reference number	M an..14	M an..14	165;

Remark:

Example:

UNT+33+4444 '

Counter	No	Tag	Var	St	MaxOcc	Level	Name
0000	36	UNZ	1	M	1	0	Interchange trailer 166;

		Standard	Implementation	
Tag	Name	St Format	St Format	Usage / Remark
UNZ				
0036	Interchange control count	M n..6	M n..6	167;
0020	Interchange control reference	M an..14	M an..14	168;

Remark:

Example:

UNZ+1+3144'

4 Example Messages

4.1 Customs, summary declaration and customs follow-up procedures

4.1.1 Seaside delivery

4.1.1.1 Status 930 –Preliminary ATB-number

```
UNA:+.? '  
UNB+UNOC:3+IMP+DKK+20190223:0835+10105321 '  
UNH+162410701+IFTSTA:D:00B:UN '  
BGM+23:::STATUS MESSAGE+162410701 '  
DTM+137:201903181144:203 '  
CNI+1 '  
STS++930:IMP01:DAK '  
RFF+EQ:HLCU1234566 '  
RFF+BM:DAKUJ987734 '  
RFF+ABT:ATB151404070320194851 '  
RFF+ANK:0077DAKUJ987734 '  
DTM+334:20190318113615:204 '  
FTX+AAI+++Vorzeitige SumA '  
NAD+DDB+ZOLL '  
TDT+20+47856+++HLCU+++9333345:::BEATE:DE '  
RFF+VM:DFGL2 '  
EQD+CN+HLCU1234566 '  
GID+1+801:BX '  
FTX+TRA++ZZZ+HLCU1234566/HLCU12345661503180 '  
FTX+TRA++BM+0077DAKUJ987734:1 '  
FTX+AAA+++FROZEN ATLANTIC SALMON HON '  
FTX+TRA++ANK+I190924312704 '  
MEA+WT+G+KGM:22874.5 '  
UNT+22+162410701 '  
UNZ+1+10105321 '
```

4.1.1.2 Status 934 – SumA confirmed

```
UNA:+.? '  
UNB+UNOC:3+IMP+DKK+20190223:0835+96580575 '  
UNH+965913392+IFTSTA:D:00B:UN '  
BGM+23:::STATUS MESSAGE+965913392 '  
DTM+137:201903041215:203 '  
CNI+1 '  
STS++934:IMP01:DAK '  
RFF+EQ:TRIU2609780 '  
RFF+BM:BL635879964 '  
RFF+ABT:ATB152158390220194851 '  
RFF+ANK:1425042995899 '  
DTM+334:20190304121444:204 '  
DTM+36:20190420:102 '  
FTX+AAI+++SumA bestätigt '
```

NAD+DDB+ZOLL '
TDT+20+85W21+++MOLU+++9773222:::MOL TREASURE:JP '
RFF+VM:3EU07 '
EQD+CN+TRIU2609780 '
GID+1+1:VL '
FTX+TRA++ZZZ+TRIU2609780/TRIU26097801502270 '
FTX+TRA++BM+BL635879964:1 '
FTX+TRA++ANK+711013975 '
FTX+AAA+++Milchpulver '
MEA+WT+G+KGM:24490 '
UNT+23+965913392 '
UNZ+1+96580575 '

4.1.1.3 Status 941 – SumA process finished

UNA:+. ? '
UNB+UNOC:3+IMP+DKK+20190223:0835+17112105 '
UNH+171224002+IFTSTA:D:00B:UN '
BGM+23:::STATUS MESSAGE+171224002 '
DTM+137:201903191315:203 '
CNI+1 '
STS++941:IMP01:DAK '
RFF+EQ:MIDU8404148 '
RFF+BM:DAKU85354117 '
RFF+ABT:ATB151645770220194851 '
RFF+AHZ::ZB '
RFF+ANK:112354117 '
DTM+334:20190319131407:204 '
FTX+AAI+++SumA erledigt '
NAD+DDB+ZOLL '
NAD+GC++DE6967566:0000 '
TDT+20+47E11+++CAIU+++9745548:::CMA CGM NEVA:FR '
RFF+VM:9HA4749 '
EQD+CN+MIDU8404148 '
GID+1+1669:PK '
FTX+TRA++ZZZ+MIDU8404148/MIDU84041481502190 '
FTX+TRA++BM+DAKU85354117:1 '
FTX+TRA++ANK:112354117 '
FTX+CUS++AHZ+ZB:ATC420135780320194851 '
FTX+AAA+++Schellen für Balkonbefestigung '
MEA+WT+G+KGM:22321 '
UNT+25+171224002 '
UNZ+1+17112105 '

4.1.1.4 Status 941 – SumA process finished (manual completion)

UNA:+. ? '
UNB+UNOC:3+IMP+DKK+20190223:0835+17112105 '
UNH+171224002+IFTSTA:D:00B:UN '
BGM+23:::STATUS MESSAGE+171224002 '
DTM+137:201903191315:203 '

CNI+1 '
STS++941:IMP01:DAK '
RFF+EQ:MIDU8404148 '
RFF+BM:DAKU85354117 '
RFF+ABT:ATB151645770220194851 '
RFF+AHZ::MANU '
RFF+ANK:DAKU85354117 '
DTM+334:20190319131407:204 '
FTX+AAI+++SumA erledigt '
NAD+DDB+ZOLL '
NAD+GC++DE6967566:0000 '
TDT+20+47E11+++CAIU+++9745548:::CMA CGM NEVA:FR '
RFF+VM:9HA4749 '
EQD+CN+MIDU8404148 '
GID+1+1669:PK '
FTX+TRA++ZZZ+MIDU8404148/MIDU84041481502190 '
FTX+TRA++BM+DAKU85354117:1 '
FTX+CUS++AHZ+MANU:ATM100126410220194851:23/18526/2/15 '
FTX+TRA++ANK+DAKU85354117 '
FTX+AAA+++Schellen für Balkonbefestigung '
MEA+WT+G+KGM:22321 '
UNT+25+171224002 '
UNZ+1+17112105 '

4.1.1.5 Status 942 – Completion of depository

UNA:+. ? '
UNB+UNOC:3+IMP+DKK+20190223:0835+17112105 '
UNH+171224172+IFTSTA:D:00B:UN '
BGM+23:::STATUS MESSAGE+171224172 '
DTM+137:201903191315:203 '
CNI+1 '
STS++942:IMP01:DAK '
RFF+EQ:FSCU3810136 '
RFF+BM:DAKU9J83364 '
RFF+ABT:ATB151655130320194851 '
RFF+ANK:DAKU9J83364 '
DTM+334:20190319131408:204 '
DTM+36:20190430:102 '
FTX+AAI+++Ende Verwahrung Terminal '
NAD+DDB+ZOLL '
TDT+20+47E11+++CAIU+++9745548:::CMA CGM NEVA:FR '
RFF+VM:9HA4749 '
EQD+CN+FSCU3810136 '
GID+1+220:CT '
FTX+TRA++ZZZ+FSCU3810136/FSCU38101361503090 '
FTX+TRA++BM+DAKU9J83364:1 '
FTX+TRA++ANK:DAKU9J83364 '
FTX+AAA+++Schuhe mit Laufsohlen aus Kautschuk, Kunststoff oder künstlichem Leder und Oberteil aus Leder '

MEA+WT+G+KGM:3530 '
UNT+23+171224172 '
UNZ+1+17112105 '

4.1.1.6 Status 946 – Announcement change of depository

UNA:+. ? ' '
UNB+UNOC:3+IMP+DKK+20190223:0835+17112105 '
UNH+171207712+IFTSTA:D:00B:UN '
BGM+23:::STATUS MESSAGE+171207712 '
DTM+137:201903191315:203 '
CNI+1 '
STS++946:IMP01:DAK '
RFF+EQ:TCIU1466110 '
RFF+BM:DAKU6058962 '
RFF+ABT:ATB150651930320194851 '
RFF+ANK:201903091016546679 '
DTM+334:20190319131241:204 '
DTM+36:20190504:102 '
FTX+AAI+++Verwahrerwechsel '
NAD+DDB+ZOLL '
EQD+CN+TCIU1466110 '
GID+1+1:BX '
FTX+TRA++ZZZ+TCIU1466110/TCIU14661101503090 '
FTX+TRA++BM+DAKU6058962:6 '
FTX+AAA+++ZUBEHÖR FÜR PUMPEN '
MEA+WT+G+KGM:290 '
GID+2+2:PE '
FTX+TRA++ZZZ+TCIU1466110/TCIU14661101503090 '
FTX+TRA++BM+DAKU6058962:7 '
FTX+AAA+++WERKZEUGTEILE '
MEA+WT+G+KGM:1225.4 '
GID+3+1:BX '
FTX+TRA++ZZZ+TCIU1466110/TCIU14661101503090 '
FTX+TRA++BM+DAKU6058962:8 '
FTX+AAA+++SCHRAUBEN '
MEA+WT+G+KGM:102 '
GID+4+7:BX '
FTX+TRA++ZZZ+TCIU1466110/TCIU14661101503090 '
FTX+TRA++BM+DAKU6058962:9 '
FTX+AAA+++GUSSFORMEN '
MEA+WT+G+KGM:2506 '
GID+5+5:PE '
FTX+TRA++ZZZ+TCIU1466110/TCIU14661101503090 '
FTX+TRA++BM+DAKU6058962:10 '
FTX+AAA+++MOTORTEILE '
MEA+WT+G+KGM:3230 '
GID+6+40:CT '
FTX+TRA++ZZZ+TCIU1466110/TCIU14661101503090 '
FTX+TRA++BM+DAKU6058962:11 '

F'TX+AAA+++DIGITAL VIDEO RECORDER '
MEA+WT+G+KGM: 800 '
UNT+45+171207712 '
UNZ+1+17112105 '