



# IMP

## Status Message (EDIFACT IFTSTA)

### Business Integration for the Port of Hamburg

Message Implementation Guide

Version 2.4/E

(Expected to be valid from 01/2025)

**DAKOSY**  
Datenkommunikationssystem AG

Mattentwiete 2  
20457 Hamburg  
[www.dakosy.de](http://www.dakosy.de)

Phone: + 49 40 37003 - 0  
[info@dakosy.de](mailto:info@dakosy.de)

## Change History

| Version | Concerned section  | Reason   | Name     | Datum      |
|---------|--------------------|--|----------|------------|
| 1.5     | All                | First English version  | Blanken  | 2010-06-30 |
| 1.6     |                    | Added status codes 935 – 938 (events related to B- and S-Numbers in the Port of Hamburg)   | Blanken  | 2010-10-29 |
| 1.6.1   |                    | Added status codes 942, 943  | Malzahn  | 2010-12-04 |
| 1.6.2   |                    | Addition of segment RFF with qualifier ANK   | Dietrich | 2011-05-16 |
| 1.6.3   |                    | Edition of status codes for authorities  | Schwanke | 2012-05-12 |
| 1.6.4   |                    | Change of status codes for the monitoring of B- and S-numbers<br><br>Edition of codes for customs warehouse (921, 923)<br>Deletion of code for customs warehouse (922)<br>Addition of codes for customs warehouse (9924, 926-927, 929, 942-946 / 970-972)    | Dietrich | 2012-08-13 |
| 1.7     |                    | Addition of code for customs warehouse: code 948, information about the partial completion of a SumA for a container   | Dietrich | 2012-09-03 |
| 1.8     |                    | Addition of ATB position data for the confirmation and completion of ATB no.   | Dietrich | 2012-11-05 |
| 1.8a    |                    | Addition of status codes for authorities (925, 928)<br><br>Edition of status codes for customs warehouse (942, 946)  | Dietrich | 2012-11-12 |
| 1.9     |                    | ATB position data also in case of status 930;<br>Position data complemented by a specific key and B/L allocation   | Schwanke | 2012-12-06 |
| 2.0     |                    | New status codes for LCL import operation instruction,<br>New status codes for confirmation of customs declaration,<br>New status 922 for cancellation of GVDE   | Dietrich | 2013-05-07 |
| 2.1     |                    | The status codes and introducing descriptions have been extracted and transferred into the separate document "IMP General introduction and explanation of status codes", since they equally apply for both guides, EDIFACT IFTSTA as well as the Status XML. | Dietrich | 2014-07-28 |
| 2.2     |                    | Addition of FTX+TRA++ANK and completion reference on GID level.<br>Edition of description concerning the depository.<br>Addition of examples.<br>Smaller corrections.  | Dietrich | 23.06.2015 |
| 2.3     |                    | Addition of customs contact information in case of examination orders (SG10/FTX)   | Dietrich | 11.07.2017 |
| 2.3.1   | TDT+20             | Vessel nationality changed from N to C   | Schwanke | 25.09.2019 |
| 2.4     | RFF+ABT<br>FTX+AHN | MRN for ATLAS 10.1 included<br>New: Container status and SumA status   | Schwanke | 15.07.2024 |

Change requests

**DAKOSY**

**Datenkommunikationssystem AG**

Mattentwiete 2

20457 Hamburg

1. Phone: + 49 40 37003 - 0
2. Email: info@dakosy.de

## Used tools

| Number | Used tools   |
|--------|--|
| W1     | This document was created with the word processing programme <b>MS Word 2021</b> . |

## Applicable Documents

The EDI manual “General Part” provides descriptions about main principles established for each data interchange via DAKOSY. The definitions set out therein, the customer’s cooperation duties as well as the basis of the communication process also apply for the interface described in the manual at hand.

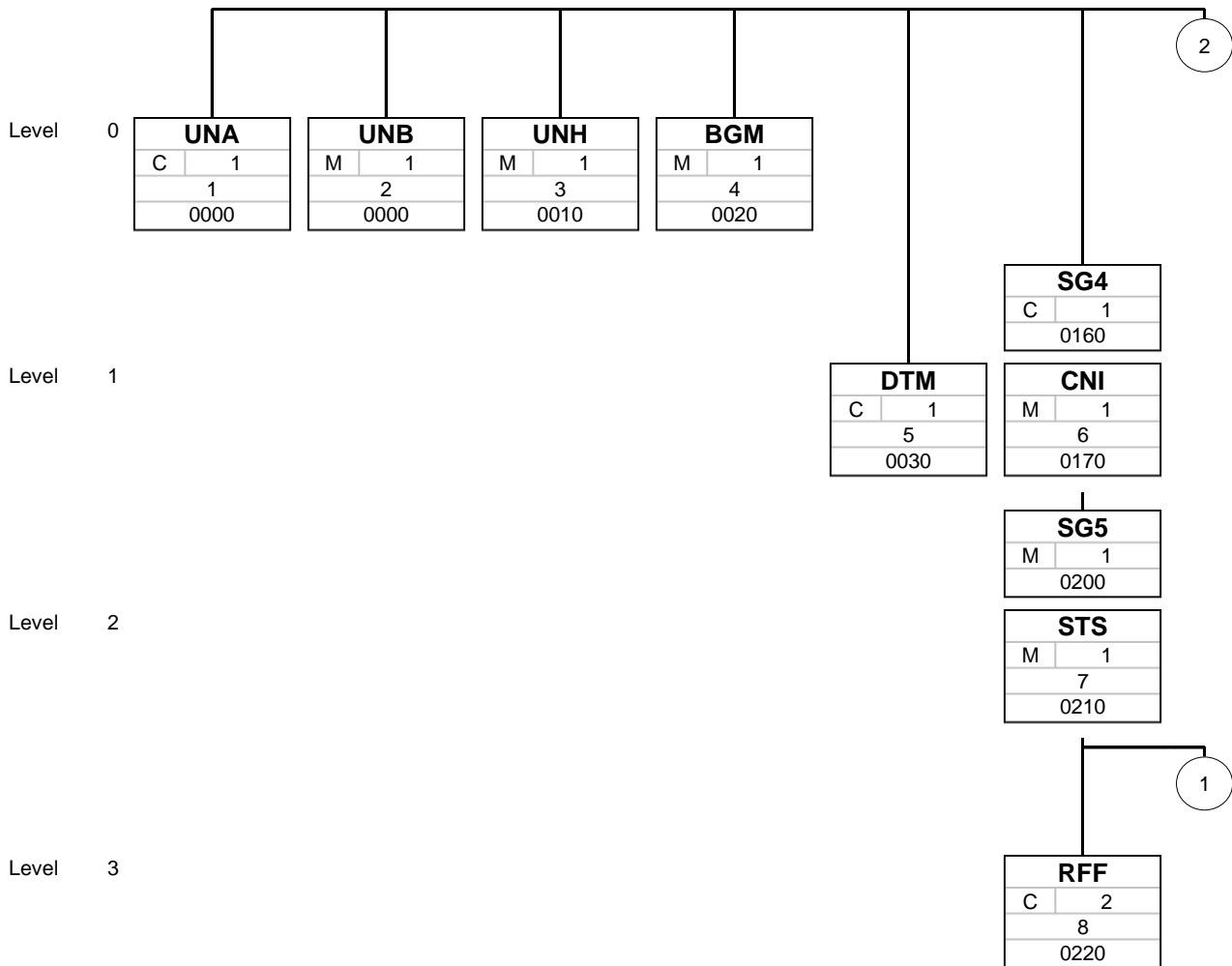
## Table of contents

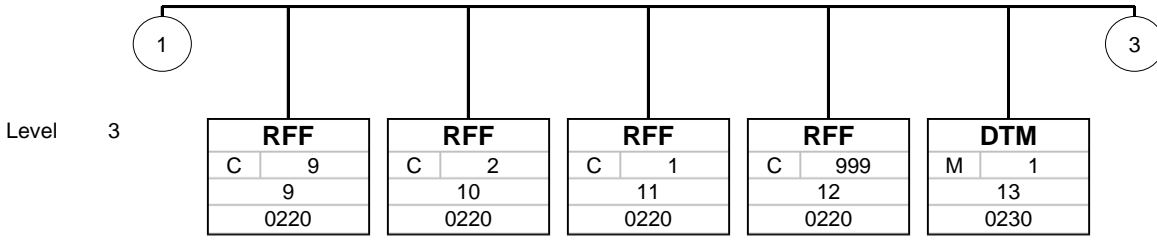
|          |   |           |
|----------|---|-----------|
| <b>1</b> | <b>Message Structure</b>                                      | <b>5</b>  |
| <b>2</b> | <b>Branching diagram</b>                                      | <b>6</b>  |
| <b>3</b> | <b>Segment description</b>                                    | <b>13</b> |
| <b>4</b> | <b>Example Messages</b>                                       | <b>51</b> |
| 4.1      | Customs, summary declaration and customs follow-up procedures | 51        |
| 4.1.1    | Seaside delivery  | 51        |
| 4.1.1.1  | Status 930 –Preliminary ATB-number                            | 51        |
| 4.1.1.2  | Status 934 – SumA confirmed                                   | 51        |
| 4.1.1.3  | Status 941 – SumA process finished                            | 52        |
| 4.1.1.4  | Status 941 – SumA process finished (manual completion)        | 53        |
| 4.1.1.5  | Status 942 – Completion of custody                            | 53        |
| 4.1.1.6  | Status 946 – Announcement change of custody                   | 54        |

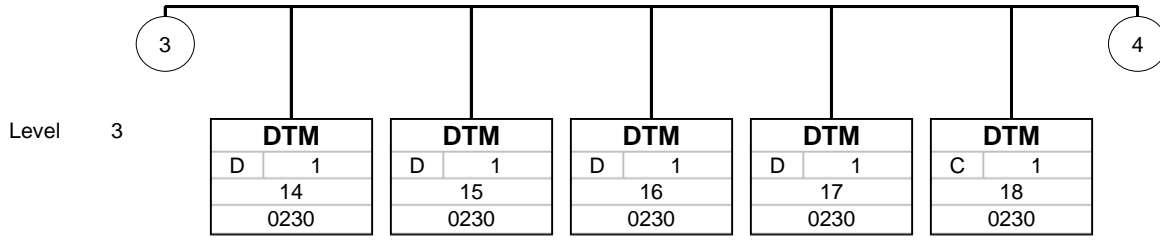
# 1 Message Structure

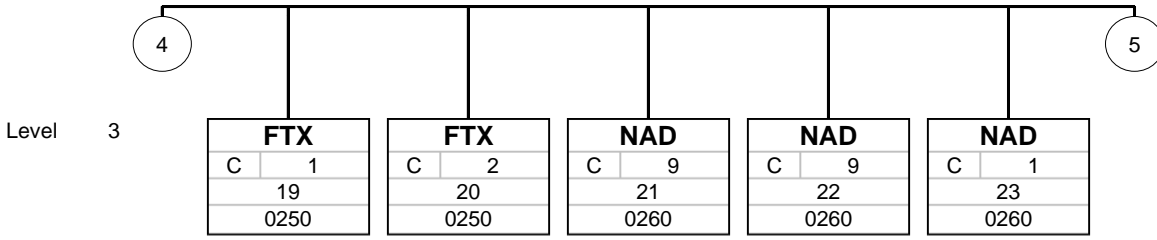
| Counter | No | Tag  | St | MaxOcc | Level | Content  |
|---------|----|------|----|--------|-------|--|
| 0000    | 1  | UNA  | C  | 1      | 0     | Service string advice  |
| 0000    | 2  | UNB  | M  | 1      | 0     | Interchange header   |
| 0010    | 3  | UNH  | M  | 1      | 0     | Message header   |
| 0020    | 4  | BGM  | M  | 1      | 0     | Beginning of message   |
| 0030    | 5  | DTM  | C  | 1      | 1     | Date/time/period   |
| 0160    |    | SG4  | C  | 1      | 1     | CNI-SG5  |
| 0170    | 6  | CNI  | M  | 1      | 1     | Consignments   |
| 0200    |    | SG5  | M  | 1      | 2     | STS-RFF-RFF-RFF-RFF-RFF-DTM-DTM-DTM-DTM-DTM-DTM-FTX-FTX-NAD-NAD-NAD-LOC-SG6-SG8-SG10 |
| 0210    | 7  | STS  | M  | 1      | 2     | Status   |
| 0220    | 8  | RFF  | C  | 2      | 3     | IMP Reference or CNTR/BL   |
| 0220    | 9  | RFF  | C  | 9      | 3     | Additional References (Line)   |
| 0220    | 10 | RFF  | C  | 2      | 3     | References related to a summary declaration of temporary storage                     |
| 0220    | 11 | RFF  | C  | 1      | 3     | Information concerning the Completion (deprecated)                                   |
| 0220    | 12 | RFF  | C  | 999    | 3     | Reference to BGM Document Number   |
| 0230    | 13 | DTM  | M  | 1      | 3     | Event Date   |
| 0230    | 14 | DTM  | D  | 1      | 3     | Date of Inspection   |
| 0230    | 15 | DTM  | D  | 1      | 3     | New ETA  |
| 0230    | 16 | DTM  | D  | 1      | 3     | Discharge Date (Begin)   |
| 0230    | 17 | DTM  | D  | 1      | 3     | Discharge Date (End)   |
| 0230    | 18 | DTM  | C  | 1      | 3     | Expiry Date  |
| 0250    | 19 | FTX  | C  | 1      | 3     | Additional Information   |
| 0250    | 20 | FTX  | C  | 2      | 3     | Status of summary declaration  |
| 0260    | 21 | NAD  | C  | 9      | 3     | Original message sender  |
| 0260    | 22 | NAD  | C  | 9      | 3     | Involved Party   |
| 0260    | 23 | NAD  | C  | 1      | 3     | Custodian  |
| 0270    | 24 | LOC  | C  | 1      | 3     | Event Location   |
| 0290    |    | SG6  | C  | 1      | 3     | TDT-RFF  |
| 0300    | 25 | TDT  | M  | 1      | 3     | Vessel Information   |
| 0320    | 26 | RFF  | C  | 1      | 4     | Call Sign  |
| 0360    |    | SG8  | C  | 1      | 3     | EQD-SEL  |
| 0370    | 27 | EQD  | M  | 1      | 3     | Container Information  |
| 0400    | 28 | SEL  | O  | 9      | 4     | Seal information   |
| 0470    |    | SG10 | D  | 999    | 3     | GID-FTX-FTX-FTX-FTX-FTX-FTX-SG11   |
| 0480    | 29 | GID  | M  | 1      | 3     | Goods Item Details   |
| 0520    | 30 | FTX  | C  | 2      | 4     | References   |
| 0520    | 31 | FTX  | C  | 5      | 4     | Customs reference subsequent procedure   |
| 0520    | 32 | FTX  | C  | 1      | 4     | B/L allocation   |
| 0520    | 33 | FTX  | C  | 1      | 4     | Goods Description  |
| 0520    | 34 | FTX  | C  | 1      | 4     | Additional information   |
| 0520    | 35 | FTX  | C  | 1      | 4     | Customs' contact   |
| 0530    |    | SG11 | C  | 1      | 4     | MEA  |
| 0540    | 36 | MEA  | M  | 1      | 4     | Measurements   |
| 0620    | 37 | UNT  | M  | 1      | 0     | Message trailer  |
| 0000    | 38 | UNZ  | M  | 1      | 0     | Interchange trailer  |

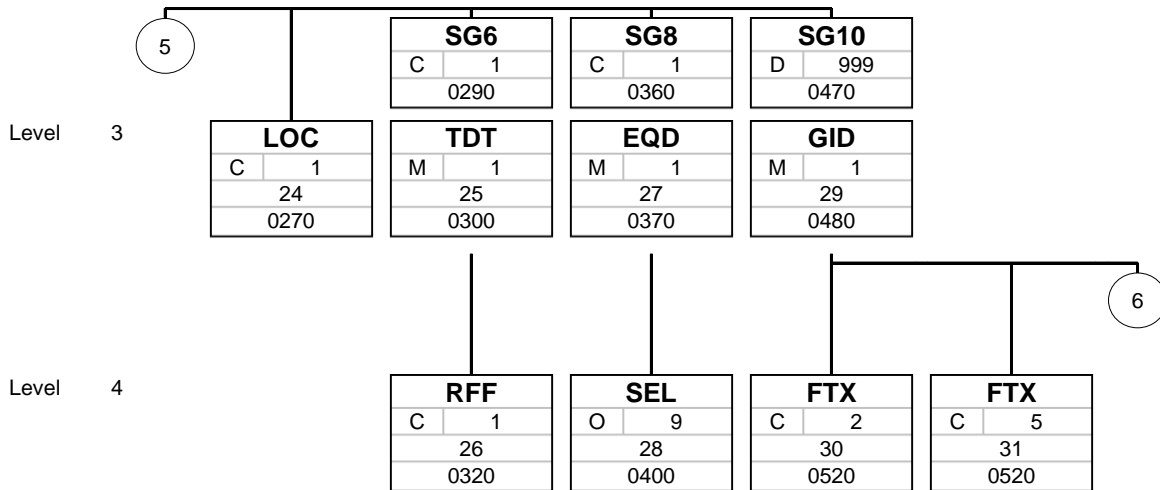
## 2 Branching diagram

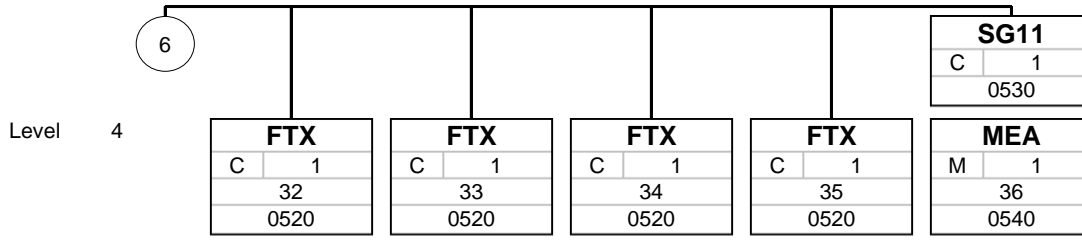


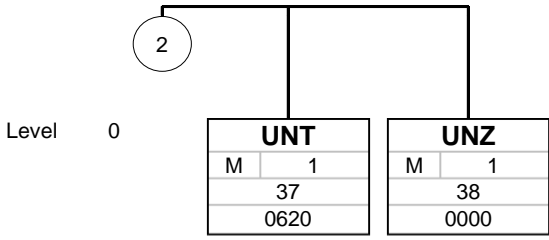














| Counter | No | Tag | Var | St | MaxOcc | Level | Name |
|---------|----|-----|-----|----|--------|-------|------|
|---------|----|-----|-----|----|--------|-------|------|

|      |   |            |   |   |   |   |                    |
|------|---|------------|---|---|---|---|--------------------|
| 0000 | 2 | <b>UNB</b> | 1 | M | 1 | 0 | Interchange header |
|------|---|------------|---|---|---|---|--------------------|

| Standard |                                      |           | Implementation |   |
|----------|--------------------------------------|-----------|----------------|---|
| Tag      | Name                                 | St Format | St Format      | Usage / Remark  |
| UNB      |                                      |           |                |   |
| S001     | Syntax identifier                    | M         | M              |   |
| 0001     | Syntax identifier                    | M a4      | M a4           | <b>UNOC UN/EDC level C</b>  |
| 0002     | Syntax version number                | M an1     | M an1          | <b>3 Version 3</b>  |
| S002     | Interchange sender                   | M         | M              |   |
| 0004     | Interchange sender identification    | M an..35  | M an..35       |   |
| S003     | Interchange recipient                | M         | M              |   |
| 0010     | Interchange recipient identification | M an..35  | M an..35       |   |
| S004     | Date and time of preparation         | M         | M              |   |
| 0017     | Date                                 | M n8      | M n8           | CCYYMMDD  |
| 0019     | Time                                 | M n4      | M n4           | HHMM  |
| 0020     | Interchange control reference        | M an..14  | M an..14       |   |
| S005     | Recipient reference/password details | C         | N              |   |
| 0022     | Recipient reference/password         | M an..14  | N              | Not used  |
| 0026     | Application reference                | C an..14  | N              | Not used  |
| 0029     | Processing priority code             | C a1      | N              | Not used  |
| 0031     | Acknowledgement request              | C n1      | N              | Not used  |
| 0032     | Interchange agreement identifier     | C an..35  | N              | Not used  |
| 0035     | Test indicator                       | C n1      | D n1           | <b>1 Interchange is a test</b><br>Only allowed and required, if file has to be processed as a test file. This flag must not be sent to a production system. |

**Remark:**

**Example:**

UNB+UNOC:3+EUK+DKK+20190914:1600+3144+++++1'

| Counter | No | Tag        | Var | St | MaxOcc | Level | Name           |
|---------|----|------------|-----|----|--------|-------|----------------|
| 0010    | 3  | <b>UNH</b> | 1   | M  | 1      | 0     | Message header |

|      |                           |    | Standard | Implementation |        |                |
|------|---------------------------|----|----------|----------------|--------|----------------|
| Tag  | Name                      | St | Format   | St             | Format | Usage / Remark |
| UNH  |                           |    |          |                |        |                |
| 0062 | Message reference number  | M  | an..14   | M              | an..14 |                |
| S009 | Message identifier        | M  |          | M              |        |                |
| 0065 | Message type              | M  | an..6    | M              | an..6  |                |
| 0052 | Message version number    | M  | an..3    | M              | an..3  |                |
| 0054 | Message release number    | M  | an..3    | M              | an..3  |                |
| 0051 | Controlling agency, coded | M  | an..3    | M              | an..3  |                |

**Remark:**

Please note that the UNH segment can only be repeated once within one message.  
The number of repetitions with the value 1 within the UNH segment does not mean that only one single message can be send within a transmission file. An interchange (UNB-UNZ) may include several messages as defined from the UNECE.

**Example:**

UNH+4444+IFTSTA:D:00B:UN'

| Counter | No | Tag | Var | St | MaxOcc | Level | Name |
|---------|----|-----|-----|----|--------|-------|------|
|---------|----|-----|-----|----|--------|-------|------|

|      |   |            |   |   |   |   |                      |
|------|---|------------|---|---|---|---|----------------------|
| 0020 | 4 | <b>BGM</b> | 1 | M | 1 | 0 | Beginning of message |
|------|---|------------|---|---|---|---|----------------------|

|      |                                   |    | Standard | Implementation |        |                              |
|------|-----------------------------------|----|----------|----------------|--------|------------------------------|
| Tag  | Name                              | St | Format   | St             | Format | Usage / Remark               |
| BGM  |                                   |    |          |                |        |                              |
| C002 | Document/message name             | C  |          | C              |        |                              |
| 1001 | Document name code                | C  | an..3    | R              | an..3  | <b>23 Status information</b> |
| 1131 | Code list identification code     | C  | an..17   | N              |        | Not used                     |
| 3055 | Code list responsible agency code | C  | an..3    | N              |        | Not used                     |
| 1000 | Document name                     | C  | an..35   | C              | an..35 |                              |
| C106 | Document/message identification   | C  |          | C              |        |                              |
| 1004 | Document identifier               | C  | an..35   | C              | an..35 |                              |

**Remark:**

**Example:**

BGM+23:::STATUS MESSAGE+4444'

| Counter | No | Tag | Var | St | MaxOcc | Level | Name |
|---------|----|-----|-----|----|--------|-------|------|
|---------|----|-----|-----|----|--------|-------|------|

|      |   |            |   |   |   |   |                  |
|------|---|------------|---|---|---|---|------------------|
| 0030 | 5 | <b>DTM</b> | 1 | C | 1 | 1 | Date/time/period |
|------|---|------------|---|---|---|---|------------------|

|      |  | Standard  | Implementation |                                       |
|------|--|-----------|----------------|---------------------------------------|
| Tag  | Name   | St Format | St Format      | Usage / Remark                        |
| DTM  |  |           |                |                                       |
| C507 | Date/time/period                               | M         | M              |                                       |
| 2005 | Date or time or period function code qualifier | M an..3   | M an..3        | <b>137 Document/message date/time</b> |
| 2380 | Date or time or period value                   | C an..35  | R an..35       |                                       |
| 2379 | Date or time or period format code             | C an..3   | C an..3        | <b>203 CCYMMDDHHMM</b>                |

**Remark:**

**Example:**

DTM+137:20240328:203'

| Counter | No | Tag        | Var | St | MaxOcc | Level | Name                |
|---------|----|------------|-----|----|--------|-------|---------------------|
| 0160    |    | <b>SG4</b> | 1   | C  | 1      | 1     | <b>CNI-SG5</b>      |
| 0170    | 6  | <b>CNI</b> | 1   | M  | 1      | 1     | <b>Consignments</b> |

| Standard |                           |           | Implementation |                |
|----------|---------------------------|-----------|----------------|----------------|
| Tag      | Name                      | St Format | St Format      | Usage / Remark |
| CNI      |                           |           |                |                |
| 1490     | Consolidation item number | C n..4    | C n..4         |                |

**Remark:**

**Example:**

CNI+1'

| Counter | No | Tag        | Var | St | MaxOcc | Level | Name  |
|---------|----|------------|-----|----|--------|-------|---|
| 0200    |    | <b>SG5</b> | 1   | M  | 1      | 2     | <b>STS-RFF-DTM-FTX-NAD-LOC-SG6-SG8-SG10</b> |
| 0210    | 7  | <b>STS</b> | 1   | M  | 1      | 2     | <b>Status</b>                               |

| Standard |                                   |           | Implementation |   |
|----------|-----------------------------------|-----------|----------------|---|
| Tag      | Name                              | St Format | St Format      | Usage / Remark  |
| STS      |                                   |           |                |   |
| C601     | Status category                   | C         | N              |   |
| 9015     | Status category code              | M an..3   | N              | Not used  |
| C555     | Status                            | C         | R              |   |
| 4405     | Status description code           | M an..3   | M an..3        | <b>Status event, coded</b><br>Code identifying a status event. Note: User or association defined code. May be used in combination with 1131/3055. |
| 1131     | Code list identification code     | C an..17  | C an..17       | <b>IMP01</b>  |
| 3055     | Code list responsible agency code | C an..3   | C an..3        | <b>DAK</b>  |
| 4404     | Status description                | C an..35  | C an..35       | A textual description of the status event   |

**Remark:**

**Example:**

STS++930:IMP01:DAK:SUMA'

| Counter | No | Tag        | Var | St | MaxOcc | Level | Name                                 |
|---------|----|------------|-----|----|--------|-------|--------------------------------------|
| 0200    |    | <b>SG5</b> | 1   | M  | 1      | 2     | STS-RFF-DTM-FTX-NAD-LOC-SG6-SG8-SG10 |
| 0220    | 8  | <b>RFF</b> | 1   | C  | 2      | 3     | IMP Reference or CNTR/BL             |

| Standard |                          |           | Implementation |  |
|----------|--------------------------|-----------|----------------|--|
| Tag      | Name                     | St Format | St Format      | Usage / Remark   |
| RFF      |                          |           |                |  |
| C506     | Reference                | M         | M              |  |
| 1153     | Reference code qualifier | M an..3   | M an..3        | <b>IMP</b><br><b>BM Bill of lading number</b><br><b>EQ Equipment number</b>  |
| 1154     | Reference identifier     | C an..70  | R an..70       | The Import Reference affected by the status change. If the process is not associated with an IMP reference, the B/L number and Container ID have to be reported instead. |

**Remark:**  
The IMP Reference affected by the status change.

**Example:**  
RFF+IMP:IHH190917100000177'

| Counter | No | Tag        | Var | St | MaxOcc | Level | Name                                 |
|---------|----|------------|-----|----|--------|-------|--------------------------------------|
| 0200    |    | <b>SG5</b> | 1   | M  | 1      | 2     | STS-RFF-DTM-FTX-NAD-LOC-SG6-SG8-SG10 |
| 0220    | 9  | <b>RFF</b> | 2   | C  | 9      | 3     | Additional References (Line)         |

| Standard |                          |           | Implementation |   |
|----------|--------------------------|-----------|----------------|---|
| Tag      | Name                     | St Format | St Format      | Usage / Remark  |
| RFF      |                          |           |                |   |
| C506     | Reference                | M         | M              |   |
| 1153     | Reference code qualifier | M an..3   | M an..3        | <b>ZZZ Mutually defined reference number</b><br><b>ACG ATA carnet number</b><br><b>BNR B Number</b><br><b>SNR S Number</b><br><b>BH House bill of lading number</b><br><b>AEI Registration number of previous Customs declaration</b> |
| 1154     | Reference identifier     | C an..70  | R an..70       | To specify miscellaneous references; the type of reference is qualified with TypeCode.  |

**Remark:**

**Example:**

RFF+SNR:S24D10834599'

| Counter | No | Tag        | Var | St | MaxOcc | Level | Name  |
|---------|----|------------|-----|----|--------|-------|---|
| 0200    |    | <b>SG5</b> | 1   | M  | 1      | 2     | <b>STS-RFF-DTM-FTX-NAD-LOC-SG6-SG8-SG10</b>                             |
| 0220    | 10 | <b>RFF</b> | 3   | C  | 2      | 3     | <b>References related to a summary declaration of temporary storage</b> |

| Standard |                          |           | Implementation |  |
|----------|--------------------------|-----------|----------------|--|
| Tag      | Name                     | St Format | St Format      | Usage / Remark   |
| RFF      |                          |           |                |  |
| C506     | Reference                | M         | M              |  |
| 1153     | Reference code qualifier | M an..3   | M an..3        | <b>ABT Customs declaration number<br/>IB In bond number</b>  |
| 1154     | Reference identifier     | C an..70  | R an..70       | ABT: ATB number. Will be removed in a future version. Customs has not announced a deadline, yet<br>IB: Movement Reference Number (MRN)   |
| 1156     | Document line identifier | C an..6   | C an..6        | <b>C Konsolidierte ATB-Nummer/<br/>Consolidated ATB no.</b><br>Indicator of consolidation: to be specified for ATB no., if a new (consolidated) ATB no. is created in the course of a depository change for single ATB no. of a container. |

**Remark:**

After the cchangeover to ATLAS release 10.1, Customs will assign both ATB and MRN references in parallel during a transitional period. The IMP transmits both references in the status messages, provided the terminal works with release 10.1 or higher. A changeover to MRN processing is recommended, as the ATB will be discontinued in the long term.

**Example:**

RFF+IB:24DE4851C1234567U0:C'

| Counter | No | Tag        | Var | St | MaxOcc | Level | Name   |
|---------|----|------------|-----|----|--------|-------|--|
| 0200    |    | <b>SG5</b> | 1   | M  | 1      | 2     | STS-RFF-DTM-FTX-NAD-LOC-SG6-SG8-SG10               |
| 0220    | 11 | <b>RFF</b> | 4   | C  | 1      | 3     | Information concerning the Completion (deprecated) |

| Standard |                          |           | Implementation |   |
|----------|--------------------------|-----------|----------------|---|
| Tag      | Name                     | St Format | St Format      | Usage / Remark  |
| RFF      |                          |           |                |   |
| C506     | Reference                | M         | M              |   |
| 1153     | Reference code qualifier | M an..3   | M an..3        | <b>AHZ Customs release code</b><br><b>AFM Secondary Customs reference</b>   |
| 1154     | Reference identifier     | C an..70  | R an..21       | To specify miscellaneous references; the type of reference is qualified with TypeCode.  |
| 1156     | Document line identifier | C an..6   | C an..6        | <b>AUFT Aufteilung</b><br><b>KONS Konsolidierung</b><br><b>MANU Manuelle Erledigung</b><br><b>NCTS Versandverfahren</b><br><b>W-VV Wiederausfuhr/Versand 444-448</b><br><b>ZB Zollbehandlung</b><br><br>AUFT = Splitting<br>KONS = consolidation<br>MANU = manual completion<br>NCTS = Dispatch procedure<br>W-VV = Reexport/dispatch 444-448<br>ZB = Customs treatment |

**Remark:**

Obsolete, to be removed in next release. Announcement will be made in an upcoming IMP newsletter. In the future the contents of this segment will be transmitted on the goods item level in segment group 10 of an FTX segment.

**Example:**

RFF+AHZ:ATC710000330820125872:ZB'

| Counter | No | Tag        | Var | St | MaxOcc | Level | Name                                 |
|---------|----|------------|-----|----|--------|-------|--------------------------------------|
| 0200    |    | <b>SG5</b> | 1   | M  | 1      | 2     | STS-RFF-DTM-FTX-NAD-LOC-SG6-SG8-SG10 |
| 0220    | 12 | <b>RFF</b> | 5   | C  | 999    | 3     | Reference to BGM Document Number     |

| Standard |                          |           | Implementation |  |
|----------|--------------------------|-----------|----------------|--|
| Tag      | Name                     | St Format | St Format      | Usage / Remark   |
| RFF      |                          |           |                |  |
| C506     | Reference                | M         | M              |  |
| 1153     | Reference code qualifier | M an..3   | M an..3        | <b>ANK Reference number assigned by third party</b>  |
| 1154     | Reference identifier     | C an..70  | R an..70       | Qualifier ANK, specification of document number, on which this message depends on. Here the BGM reference of the corresponding manifest. |

**Remark:**

To declare a document number on which this message depends on.

**Example:**

RFF+ANK:5456464'

| Counter | No | Tag        | Var | St | MaxOcc | Level | Name                                 |
|---------|----|------------|-----|----|--------|-------|--------------------------------------|
| 0200    |    | <b>SG5</b> | 1   | M  | 1      | 2     | STS-RFF-DTM-FTX-NAD-LOC-SG6-SG8-SG10 |
| 0230    | 13 | <b>DTM</b> | 1   | M  | 1      | 3     | Event Date                           |

| Standard |  |           | Implementation |  |
|----------|--|-----------|----------------|--|
| Tag      | Name   | St Format | St Format      | Usage / Remark   |
| DTM      |  |           |                |  |
| C507     | Date/time/period                               | M         | M              |  |
| 2005     | Date or time or period function code qualifier | M an..3   | M an..3        | <b>334 Status change date/time</b>                                       |
| 2380     | Date or time or period value                   | C an..35  | R an..35       | Date specifying when an event has occurred                               |
| 2379     | Date or time or period format code             | C an..3   | R an..3        | <b>102 CCYMMDD</b><br><b>203 CCYMMDDHHMM</b><br><b>204 CCYMMDDHHMMSS</b> |

**Remark:**

**Example:**

DTM+334:202404141355:203'

| Counter | No | Tag        | Var | St | MaxOcc | Level | Name                                 |
|---------|----|------------|-----|----|--------|-------|--------------------------------------|
| 0200    |    | <b>SG5</b> | 1   | M  | 1      | 2     | STS-RFF-DTM-FTX-NAD-LOC-SG6-SG8-SG10 |
| 0230    | 14 | <b>DTM</b> | 2   | D  | 1      | 3     | Date of Inspection                   |

| Standard |  |           | Implementation |   |
|----------|--|-----------|----------------|---|
| Tag      | Name   | St Format | St Format      | Usage / Remark  |
| DTM      |  |           |                |   |
| C507     | Date/time/period                               | M         | M              |   |
| 2005     | Date or time or period function code qualifier | M an..3   | M an..3        | <b>351 Inspection date</b>  |
| 2380     | Date or time or period value                   | C an..35  | R an..35       | Used to specify the date when an inspection should take place (only used for status code 922) |
| 2379     | Date or time or period format code             | C an..3   | R an..3        | <b>203 CCYYMMDDHHMM</b><br><b>102 CCYYMMDD</b>  |

**Remark:**

**Example:**

DTM+351:201909291500:203'

| Counter | No | Tag        | Var | St | MaxOcc | Level | Name                                 |
|---------|----|------------|-----|----|--------|-------|--------------------------------------|
| 0200    |    | <b>SG5</b> | 1   | M  | 1      | 2     | STS-RFF-DTM-FTX-NAD-LOC-SG6-SG8-SG10 |
| 0230    | 15 | <b>DTM</b> | 3   | D  | 1      | 3     | New ETA                              |

|      |  |  | Standard  | Implementation |   |
|------|--|--|-----------|----------------|---|
| Tag  | Name   |  | St Format | St Format      | Usage / Remark  |
| DTM  |  |  |           |                |   |
| C507 | Date/time/period                               |  | M         | M              |   |
| 2005 | Date or time or period function code qualifier |  | M an..3   | M an..3        | <b>132 Arrival date/time, estimated</b>                           |
| 2380 | Date or time or period value                   |  | C an..35  | M an..35       | The new ETA of a vessel (only used with status codes 912 and 913) |
| 2379 | Date or time or period format code             |  | C an..3   | R an..3        | <b>102 CCYYMMDD</b><br><b>203 CCYYMMDDHHMM</b>                    |

**Remark:**

**Example:**

DTM+132:20190830:102'

| Counter | No | Tag        | Var | St | MaxOcc | Level | Name                                 |
|---------|----|------------|-----|----|--------|-------|--------------------------------------|
| 0200    |    | <b>SG5</b> | 1   | M  | 1      | 2     | STS-RFF-DTM-FTX-NAD-LOC-SG6-SG8-SG10 |
| 0230    | 16 | <b>DTM</b> | 4   | D  | 1      | 3     | Discharge Date (Begin)               |

|      |  |  | Standard  | Implementation |  |
|------|--|--|-----------|----------------|--|
| Tag  | Name   |  | St Format | St Format      | Usage / Remark   |
| DTM  |  |  |           |                |  |
| C507 | Date/time/period                               |  | M         | M              |  |
| 2005 | Date or time or period function code qualifier |  | M an..3   | M an..3        | <b>96 Discharge date/time</b>  |
| 2380 | Date or time or period value                   |  | C an..35  | R an..35       | Discharge (begin) - Used only in conjunction with status codes 912 and 913 |
| 2379 | Date or time or period format code             |  | C an..3   | R an..3        | <b>102 CCYYMMDD</b><br><b>203 CCYYMMDDHHMM</b>                             |

**Remark:**

**Example:**

DTM+96:201909011530:102'

| Counter | No | Tag        | Var | St | MaxOcc | Level | Name                                 |
|---------|----|------------|-----|----|--------|-------|--------------------------------------|
| 0200    |    | <b>SG5</b> | 1   | M  | 1      | 2     | STS-RFF-DTM-FTX-NAD-LOC-SG6-SG8-SG10 |
| 0230    | 17 | <b>DTM</b> | 5   | D  | 1      | 3     | Discharge Date (End)                 |

| Standard |  |           | Implementation |   |
|----------|--|-----------|----------------|---|
| Tag      | Name   | St Format | St Format      | Usage / Remark  |
| DTM      |  |           |                |   |
| C507     | Date/time/period                               | M         | M              |   |
| 2005     | Date or time or period function code qualifier | M an..3   | M an..3        | <b>413 Discharge and loading completed date/time</b>                          |
| 2380     | Date or time or period value                   | C an..35  | R an..35       | Discharge (end) - Used only in conjunction with status codes 912, 913 and 959 |
| 2379     | Date or time or period format code             | C an..3   | R an..3        | <b>102 CCYYMMDD</b><br><b>203 CCYYMMDDHHMM</b>                                |

**Remark:**

**Example:**

DTM+413:201909012345:102'

| Counter | No | Tag        | Var | St | MaxOcc | Level | Name                                 |
|---------|----|------------|-----|----|--------|-------|--------------------------------------|
| 0200    |    | <b>SG5</b> | 1   | M  | 1      | 2     | STS-RFF-DTM-FTX-NAD-LOC-SG6-SG8-SG10 |
| 0230    | 18 | <b>DTM</b> | 6   | C  | 1      | 3     | Expiry Date                          |

|      |  |  | Standard  | Implementation |   |
|------|--|--|-----------|----------------|---|
| Tag  | Name   |  | St Format | St Format      | Usage / Remark  |
| DTM  |  |  |           |                |   |
| C507 | Date/time/period                               |  | M         | M              |   |
| 2005 | Date or time or period function code qualifier |  | M an..3   | M an..3        | <b>36 Expiry date</b>   |
| 2380 | Date or time or period value                   |  | C an..35  | R an..35       | Expiration date; date or time up until e.g. an ATB no. is valid |
| 2379 | Date or time or period format code             |  | C an..3   | R an..3        | <b>102 CCYYMMDD</b><br><b>203 CCYYMMDDHHMM</b>                  |

**Remark:**

**Example:**

DTM+36:201911062130:102'

| Counter | No | Tag        | Var | St | MaxOcc | Level | Name                                 |
|---------|----|------------|-----|----|--------|-------|--------------------------------------|
| 0200    |    | <b>SG5</b> | 1   | M  | 1      | 2     | STS-RFF-DTM-FTX-NAD-LOC-SG6-SG8-SG10 |
| 0250    | 19 | <b>FTX</b> | 1   | C  | 1      | 3     | Additional Information               |

| Standard |                             |           | Implementation |  |
|----------|-----------------------------|-----------|----------------|--|
| Tag      | Name                        | St Format | St Format      | Usage / Remark   |
| FTX      |                             |           |                |  |
| 4451     | Text subject code qualifier | M an..3   | M an..3        | <b>AAI General information</b>                             |
| 4453     | Free text function code     | C an..3   | N              | Not used   |
| C107     | Text reference              | C         | N              |  |
| 4441     | Free text value code        | M an..17  | N              | Not used   |
| C108     | Text literal                | C         | C              |  |
| 4440     | Free text value             | M an..512 | M an..512      | Additional free text information concerning a status event |

**Remark:**

**Example:**

FTX+AAI+++IMP STATUS INFORMATION'

| Counter | No | Tag        | Var | St | MaxOcc | Level | Name                                 |
|---------|----|------------|-----|----|--------|-------|--------------------------------------|
| 0200    |    | <b>SG5</b> | 1   | M  | 1      | 2     | STS-RFF-DTM-FTX-NAD-LOC-SG6-SG8-SG10 |
| 0250    | 20 | <b>FTX</b> | 2   | C  | 2      | 3     | Status of summary declaration        |

| Standard |                             |           | Implementation |  |
|----------|-----------------------------|-----------|----------------|--|
| Tag      | Name                        | St Format | St Format      | Usage / Remark   |
| FTX      |                             |           |                |  |
| 4451     | Text subject code qualifier | M an..3   | M an..3        | <b>AHN Status details</b>  |
| 4453     | Free text function code     | C an..3   | N              | Not used   |
| C107     | Text reference              | C         | N              |  |
| 4441     | Free text value code        | M an..17  | N              | Not used   |
| C108     | Text literal                | C         | C              |  |
| 4440     | Free text value             | M an..512 | R an3          | Additional information to a status change  |
| 4440     | Free text value             | C an..512 | R an..512      | <b>SUMA Status of the individual SumA, may differ from the overall status of the container. Contains the same value as the STS segment</b> |
|          |                             |           |                | <b>CONT Overall status of the container, taking into account all contained summary declarations</b>  |

**Remark:**

This segment will only be sent for status information on summary declaration of temporary storage.

**Example:**

FTX+AHN+++934:SUMA'

| Counter | No | Tag        | Var | St | MaxOcc | Level | Name  |
|---------|----|------------|-----|----|--------|-------|---|
| 0200    |    | <b>SG5</b> | 1   | M  | 1      | 2     | <b>STS-RFF-DTM-FTX-NAD-LOC-SG6-SG8-SG10</b> |
| 0260    | 21 | <b>NAD</b> | 1   | C  | 9      | 3     | <b>Original message sender</b>              |

| Standard |                               |           | Implementation |  |
|----------|-------------------------------|-----------|----------------|--|
| Tag      | Name                          | St Format | St Format      | Usage / Remark   |
| NAD      |                               |           |                |  |
| 3035     | Party function code qualifier | M an..3   | M an..3        | <b>DDB Initial sender</b>  |
| C082     | Party identification details  | C         | R              |  |
| 3039     | Party identifier              | M an..35  | M an..35       | <b>VETI Veterinäramt Grenzdienst</b><br><b>PGZK Pflanzengesundheitskontrolle</b><br><b>ZOLL Rückmeldungen aus ATLAS oder dem ZAPP-System</b><br>VETI = Veterinary inspection office border services<br>PGZK = Phytosanitary inspection<br>ZOLL = Responses/Acknowledgements from ATLAS or the ZAPP system<br>More/other DAKOSY participant codes are possible. |

**Remark:**

This segment may be used to provide information about the original message sender, e.g. the terminal who reported the "Löschen-Ist" (actual deletion).

**Example:**

NAD+DDB+ZOLL'

| Counter | No | Tag        | Var | St | MaxOcc | Level | Name  |
|---------|----|------------|-----|----|--------|-------|---|
| 0200    |    | <b>SG5</b> | 1   | M  | 1      | 2     | <b>STS-RFF-DTM-FTX-NAD-LOC-SG6-SG8-SG10</b> |
| 0260    | 22 | <b>NAD</b> | 2   | C  | 9      | 3     | <b>Involved Party<br/>33;</b>               |

| Standard |                               |           | Implementation |                |
|----------|-------------------------------|-----------|----------------|----------------|
| Tag      | Name                          | St Format | St Format      | Usage / Remark |
| NAD      |                               |           |                |                |
| 3035     | Party function code qualifier | M an..3   | M an..3        | <b>34;</b>     |
| C082     | Party identification details  | C         | C              |                |
| 3039     | Party identifier              | M an..35  | M an..35       | <b>36;</b>     |
| C058     | Name and address              | C         | C              |                |
| 3124     | Name and address description  | M an..35  | M an..35       | <b>38;</b>     |
| 3124     | Name and address description  | C an..35  | C an..35       | <b>39;</b>     |
| 3124     | Name and address description  | C an..35  | C an..35       | <b>40;</b>     |
| 3124     | Name and address description  | C an..35  | C an..35       | <b>41;</b>     |
| 3124     | Name and address description  | C an..35  | C an..35       | <b>42;</b>     |

**Remark:**

Details on a party involved in an IMP process. The "Party Qualifier" (Data Element 3035) describes, how the party is involved with the process.

**Example:**

NAD+VQ+EUR+EUROGATE:HAMBURG:X:X:X'

| Counter | No | Tag        | Var | St | MaxOcc | Level | Name  |
|---------|----|------------|-----|----|--------|-------|---|
| 0200    |    | <b>SG5</b> | 1   | M  | 1      | 2     | <b>STS-RFF-DTM-FTX-NAD-LOC-SG6-SG8-SG10</b> |
| 0260    | 23 | <b>NAD</b> | 3   | C  | 1      | 3     | <b>Custodian<br/>43;</b>                    |

| Standard |                               |           | Implementation |                                   |
|----------|-------------------------------|-----------|----------------|-----------------------------------|
| Tag      | Name                          | St Format | St Format      | Usage / Remark                    |
| NAD      |                               |           |                |                                   |
| 3035     | Party function code qualifier | M an..3   | M an..3        | <b>GC Goods custodian<br/>44;</b> |
| C082     | Party identification details  | C         | N              |                                   |
| 3039     | Party identifier              | M an..35  | M an..35       | <b>46;</b>                        |
| C058     | Name and address              | C         | R              |                                   |
| 3124     | Name and address description  | M an..35  | M an..17       | <b>EORI<br/>48;</b>               |
| 3124     | Name and address description  | C an..35  | C n4           | <b>Office number<br/>49;</b>      |

**Remark:**

Custodian's EORI and branch number.

The custodian will only be transmitted in status messages relating to a summary declaration (ATB no. or MRN) and earliest, if it has been successfully confirmed.

**Example:**

NAD+GC++DE123456789:0001'

| Counter | No | Tag        | Var | St | MaxOcc | Level | Name                                 |
|---------|----|------------|-----|----|--------|-------|--------------------------------------|
| 0200    |    | <b>SG5</b> | 1   | M  | 1      | 2     | STS-RFF-DTM-FTX-NAD-LOC-SG6-SG8-SG10 |
| 0270    | 24 | <b>LOC</b> | 1   | C  | 1      | 3     | Event Location<br>50;                |

| Standard |                                     |           | Implementation |   |
|----------|-------------------------------------|-----------|----------------|---|
| Tag      | Name                                | St Format | St Format      | Usage / Remark  |
| LOC      |                                     |           |                |   |
| 3227     | Location function code qualifier    | M an..3   | M an..3        | <b>172 Reporting location</b><br><b>51;</b>                       |
| C517     | Location identification             | C         | R              |   |
| 3225     | Location name code                  | C an..25  | M an..25       | To identify a location or place with an identifier<br><b>53;</b>  |
| 1131     | Code list identification code       | C an..17  | C an..17       | <b>54;</b>  |
| 3055     | Code list responsible agency code   | C an..3   | C an..3        | <b>55;</b>  |
| 3224     | Location name                       | C an..256 | C an..256      | The name of a location or place in plain text<br><b>56;</b>       |
| C519     | Related location one identification | C         | R              |   |
| 3223     | First related location name code    | C an..25  | D an..25       | Berth code - Mandatory for terminal status messages<br><b>58;</b> |
| 1131     | Code list identification code       | C an..17  | N              | <b>59;</b><br>Not used  |
| 3055     | Code list responsible agency code   | C an..3   | N              | <b>60;</b><br>Not used  |
| 3222     | First related location name         | C an..70  | C an..70       | <b>61;</b>  |

**Remark:**

Location or place where an event has occurred.

**Example:**

LOC+172+DEHAM:::HAMBURG+EUR:::EUROGATE'

| Counter | No | Tag        | Var | St | MaxOcc | Level | Name                      |
|---------|----|------------|-----|----|--------|-------|---------------------------|
| 0290    |    | <b>SG6</b> | 1   | C  | 1      | 3     | TDT-RFF                   |
| 0300    | 25 | <b>TDT</b> | 1   | M  | 1      | 3     | Vessel Information<br>63; |

| Standard |  |           | Implementation |  |
|----------|--|-----------|----------------|--|
| Tag      | Name   | St Format | St Format      | Usage / Remark   |
| TDT      |  |           |                |  |
| 8051     | Transport stage code qualifier                 | M an..3   | M an..3        | <b>1 Inland transport</b><br><b>20 Main-carriage transport</b><br><b>64;</b> |
| 8028     | Means of transport journey identifier          | C an..17  | C an..17       | <b>65;</b><br>Carrier's voyage number as sent in the manifest data           |
| C220     | Mode of transport                              | C         | C              |  |
| 8067     | Transport mode name code                       | C an..3   | C an..3        | <b>1 Maritime transport</b><br><b>67;</b>                                    |
| C228     | Transport means                                | C         | C              |  |
| 8179     | Transport means description code               | C an..8   | C an..8        | <b>69;</b>   |
| C040     | Carrier  | C         | C              |  |
| 3127     | Carrier identifier                             | C an..17  | C an..17       | <b>71;</b>   |
| 1131     | Code list identification code                  | C an..17  | C an..17       | <b>72;</b>   |
| 3055     | Code list responsible agency code              | C an..3   | C an..3        | <b>73;</b>   |
| 3128     | Carrier name                                   | C an..35  | C an..35       | <b>74;</b>   |
| 8101     | Transit direction indicator code               | C an..3   | C an..3        | <b>75;</b>   |
| C401     | Excess transportation information              | C         | N              |  |
| 8457     | Excess transportation reason code              | M an..3   | M an..3        | <b>77;</b>   |
| C222     | Transport identification                       | C         | C              |  |
| 8213     | Transport means identification name identifier | C an..9   | C an..9        | IMO no.; Call sign can be transmitted in the following RFF+VM.<br><b>79;</b> |
| 1131     | Code list identification code                  | C an..17  | C an..17       | <b>80;</b>   |
| 3055     | Code list responsible agency code              | C an..3   | C an..3        | <b>81;</b>   |
| 8212     | Transport means identification name            | C an..35  | C an..35       | <b>82;</b>   |
| 8453     | Transport means nationality code               | C an..3   | C an..3        | Flag of vessel (ISO Country code) according to the carrier's manifest data.  |

**Remark:**

Information on the means of transport to which a status event is related.

**Example:**

TDT+20+CD2407E+1+13+HLM:::HAPAG LLOYD+++9001240:::11:HAMBURG EXPRESS:DE'

| Counter | No | Tag        | Var | St | MaxOcc | Level | Name             |
|---------|----|------------|-----|----|--------|-------|------------------|
| 0290    |    | <b>SG6</b> | 1   | C  | 1      | 3     | TDT-RFF          |
| 0320    | 26 | <b>RFF</b> | 1   | C  | 1      | 4     | Call Sign<br>83; |

| Standard |                          |           | Implementation |   |
|----------|--------------------------|-----------|----------------|---|
| Tag      | Name                     | St Format | St Format      | Usage / Remark                                |
| RFF      |                          |           |                |   |
| C506     | Reference                | M         | M              |   |
| 1153     | Reference code qualifier | M an..3   | M an..3        | <b>VM Vessel identification</b><br><b>85;</b> |
| 1154     | Reference identifier     | C an..70  | R an..70       | <b>86;</b>                                    |

**Remark:**

**Example:**

RFF+VM:CAG8V'

| Counter  | No | Tag        | Var | St | MaxOcc | Level | Name                             |
|--|----|------------|-----|----|--------|-------|----------------------------------|
| 0360   |    | <b>SG8</b> | 1   | C  | 1      | 3     | <b>EQD-SEL</b>                   |
| Properties of a specific container affected by a status event. |    |            |     |    |        |       |                                  |
| 0370   | 27 | <b>EQD</b> | 1   | M  | 1      | 3     | <b>Container Information 88;</b> |

| Standard   |                               |           | Implementation |  |
|------------|-------------------------------|-----------|----------------|--|
| Tag        | Name                          | St Format | St Format      | Usage / Remark   |
| <b>EQD</b> |                               |           |                |  |
| 8053       | Equipment type code qualifier | M an..3   | M an..3        | <b>CN Container 89;</b>  |
| C237       | Equipment identification      | C         | R              | <b>Container number</b><br>If segment group EQD is used to submit information about individual items in a summary declaration of temporary storage for bulk cargo, no container number will be reported. |
| 8260       | Equipment identifier          | C an..17  | D an..17       |  |
| <b>91;</b> |                               |           |                |  |

**Remark:**

**Example:**

EQD+CN+HJCU1204781'

| Counter | No | Tag        | Var | St | MaxOcc | Level | Name                    |
|---------|----|------------|-----|----|--------|-------|-------------------------|
| 0360    |    | <b>SG8</b> | 1   | C  | 1      | 3     | EQD-SEL                 |
| 0400    | 28 | <b>SEL</b> | 1   | O  | 9      | 4     | Seal information<br>97; |

| Standard |                 |           | Implementation |                |
|----------|-----------------|-----------|----------------|----------------|
| Tag      | Name            | St Format | St Format      | Usage / Remark |
| SEL      |                 |           |                |                |
| 9308     | Seal identifier | C an..35  | C an..35       | <b>98;</b>     |

**Remark:**

**Example:**

SEL+1214550778'

| Counter | No | Tag | Var | St | MaxOcc | Level | Name |
|---------|----|-----|-----|----|--------|-------|------|
|---------|----|-----|-----|----|--------|-------|------|

0470      **SG10**      1      D      999      3      **GID-FTX-SG11**

Contrary to the standard definition, the maximum number of repetitions must be set to 999. In some cases the number of 99 repetitions has not been sufficient.

Segment group GID is used to submit information to individual ATB items. Used in case of prior notification (930), confirmation (status 934) and completions (status 941) of a summary declaration. The following data will be transmitted, if available:

- Position of ATB no.
  - Number of packages
  - Package type
  - Goods description
  - Gross weight
  - Specific key
  - Allocation to B/L line
- Database:

prior ATB: manifest data

confirmed or completed ATB: data of depository note or completion message

0480      29      **GID**      1      M      1      3      **Goods Item Details**  
**100;**

| Standard |                               |           | Implementation |  |
|----------|-------------------------------|-----------|----------------|--|
| Tag      | Name                          | St Format | St Format      | Usage / Remark   |
| GID      |                               |           |                |  |
| 1496     | Goods item number             | C n..5    | R n..4         | Item no. of summary declaration<br><b>101;</b>   |
| C213     | Number and type of packages   | C         | R              | Number and type of package(s)<br>prior ATB: manifest data<br>confirmed or completed ATB: data of depository<br>note or completion message  |
| 7224     | Package quantity              | C n..8    | R n..5         | Number of packages; in case of confirmation or<br>completion of an ATB possibly the parts. Please note,<br>that a GID position could be assigned to several<br>summary declarations, e.g. a BL-position, assigned<br>to three containers.<br><b>103;</b> |
| 7065     | Package type description code | C an..17  | C an..3        | Package type, coded<br><b>104;</b>   |

**Remark:**

**Example:**

GID+1+9:PK'

| Counter | No | Tag         | Var | St | MaxOcc | Level | Name                       |
|---------|----|-------------|-----|----|--------|-------|----------------------------|
| 0470    |    | <b>SG10</b> | 1   | D  | 999    | 3     | <b>GID-FTX-SG11</b>        |
| 0520    | 30 | <b>FTX</b>  | 1   | C  | 2      | 4     | <b>References<br/>105;</b> |

| Standard |                             |           | Implementation |  |
|----------|-----------------------------|-----------|----------------|--|
| Tag      | Name                        | St Format | St Format      | Usage / Remark   |
| FTX      |                             |           |                |  |
| 4451     | Text subject code qualifier | M an..3   | M an..3        | <b>TRA Transportation information<br/>106;</b>   |
| 4453     | Free text function code     | C an..3   | N              | <b>107;</b><br>Not used  |
| C107     | Text reference              | C         | C              |  |
| 4441     | Free text value code        | M an..17  | M an..17       | <b>ZZZ spezifischer Ordnungsbegriff<br/>ANK BGM-Referenz des zugehörigen<br/>B/Ls<br/>109;</b> |
| C108     | Text literal                | C         | M              |  |
| 4440     | Free text value             | M an..512 | M an..44       | <b>111;</b>  |

**Remark:**

This segment is used to submit additional references to an ATB item. For each reference type (ANK, ZZZ) only one repetition is allowed.

**Example:**

FTX+TRA++ZZZ+CCLU1223445/CCLU12234451211290'

| Counter | No | Tag         | Var | St | MaxOcc | Level | Name   |
|---------|----|-------------|-----|----|--------|-------|--|
| 0470    |    | <b>SG10</b> | 1   | D  | 999    | 3     | <b>GID-FTX-SG11</b>                                |
| 0520    | 31 | <b>FTX</b>  | 2   | C  | 5      | 4     | <b>Customs reference subsequent procedure 112;</b> |

| Standard   |                             |           | Implementation |   |
|------------|-----------------------------|-----------|----------------|---|
| Tag        | Name                        | St Format | St Format      | Usage / Remark  |
| <b>FTX</b> |                             |           |                |   |
| 4451       | Text subject code qualifier | M an..3   | M an..3        | <b>CUS Customs declaration information 113;</b>   |
| 4453       | Free text function code     | C an..3   | N              | <b>114;</b><br>Not used   |
| C107       | Text reference              | C         | C              |   |
| 4441       | Free text value code        | M an..17  | M an3          | <b>AHZ Weiterer Nachweis (ATLAS-Registriernummer) 116;</b>  |
| C108       | Text literal                | C         | C              |   |
| 4440       | Free text value             | M an..512 | R an..4        | <b>Type of completion</b><br><b>AUFT Aufteilung</b><br><b>KONS Konsolidierung</b><br><b>MANU Manuelle Erledigung</b><br><b>NCTS Versandverfahren</b><br><b>W-VV Wiederausfuhr/Versand 444-448</b><br><b>ZB Zollbehandlung</b><br>AUFT = Splitting<br>KONS = consolidation<br>MANU = manual completion<br>NCTS = Dispatch procedure<br>W-VV = Reexport/dispatch 444-448<br>ZB = Customs treatment<br><b>118;</b> |
| 4440       | Free text value             | C an..512 | C an..21       | Registration number of completion procedure<br><b>Further proof (ATLAS registration number) 119;</b>  |
| 4440       | Free text value             | C an..512 | C an..512      | <b>Further proof (other registration number) 120;</b>   |

**Remark:**

|                    |                          |                  |
|--------------------|--------------------------|------------------|
| Type of completion | AHZ                      | AFM              |
| ZB                 | Registration number (WN) | -                |
| Dispatch           | -                        | MRN              |
| Re-export          | Registration number      | -                |
| Manual completion  | Registration number      | Other references |
| Splitting          | new ATB-number           | -                |
| Consolidation      | new ATB-number           | -                |

**Example:**

FTX+CUS++AHZ+NCTS : :15DE485111763618M2 '

| Counter | No | Tag         | Var | St | MaxOcc | Level | Name                           |
|---------|----|-------------|-----|----|--------|-------|--------------------------------|
| 0470    |    | <b>SG10</b> | 1   | D  | 999    | 3     | <b>GID-FTX-SG11</b>            |
| 0520    | 32 | <b>FTX</b>  | 3   | C  | 1      | 4     | <b>B/L allocation<br/>121;</b> |

| Standard    |                             |           | Implementation |   |
|-------------|-----------------------------|-----------|----------------|---|
| Tag         | Name                        | St Format | St Format      | Usage / Remark  |
| <b>FTX</b>  |                             |           |                |   |
| 4451        | Text subject code qualifier | M an..3   | M an..3        | <b>TRA Transportation information<br/>122;</b>  |
| 4453        | Free text function code     | C an..3   | N              | <b>123;</b><br>Not used   |
| <b>C107</b> |                             |           |                |   |
| 4441        | Free text value code        | M an..17  | M an..17       | <b>BM Bill of Lading<br/>125;</b>   |
| <b>C108</b> |                             |           |                |   |
|             | Text literal                | C         | R              | B/L numbers and assigned line number of the B/L: the numbering of items to a B/L and the summary declaration may deviate in case of consolidated containers, partload oder several containers at one B/L. Here you will be informed to which ATB item a B/L line of a specific B/L has to be assigned to. |
| 4440        | Free text value             | M an..512 | M an..35       | B/L no.<br><b>B/L number<br/>127;</b>   |
| 4440        | Free text value             | C an..512 | C n..4         | GID position in the B/L previously mentioned<br><b>128;</b>   |

**Remark:**

B/L allocation on item level

**Example:**

FTX+TRA++BM+BL1234:3'

| Counter | No | Tag         | Var | St | MaxOcc | Level | Name                              |
|---------|----|-------------|-----|----|--------|-------|-----------------------------------|
| 0470    |    | <b>SG10</b> | 1   | D  | 999    | 3     | <b>GID-FTX-SG11</b>               |
| 0520    | 33 | <b>FTX</b>  | 4   | C  | 1      | 4     | <b>Goods Description<br/>129;</b> |

| Standard |                             |           | Implementation |  |
|----------|-----------------------------|-----------|----------------|--|
| Tag      | Name                        | St Format | St Format      | Usage / Remark   |
| FTX      |                             |           |                |  |
| 4451     | Text subject code qualifier | M an..3   | M an..3        | <b>AAA Goods description<br/>130;</b>  |
| 4453     | Free text function code     | C an..3   | N              | <b>131;</b><br>Not used  |
| C107     | Text reference              | C         | N              |  |
| 4441     | Free text value code        | M an..17  | M an..17       | <b>133;</b>  |
| C108     | Text literal                | C         | R              |  |
| 4440     | Free text value             | M an..512 | M an..140      | Goods description<br><br>preliminary ATB: manifest data<br>confirmed or completed ATB: data of depository note<br>or completion message<br><b>135;</b> |

**Remark:**

Contains the goods description of the confirmation or completion of an ATB no.

**Example:**

FTX+AAA+++Iron oxides and hydroxides'

| Counter | No | Tag         | Var | St | MaxOcc | Level | Name                               |
|---------|----|-------------|-----|----|--------|-------|------------------------------------|
| 0470    |    | <b>SG10</b> | 1   | D  | 999    | 3     | <b>GID-FTX-SG11</b>                |
| 0520    | 34 | <b>FTX</b>  | 5   | C  | 1      | 4     | <b>Additional information 136;</b> |

| Standard |                             |           | Implementation |  |  |
|----------|-----------------------------|-----------|----------------|--|--|
| Tag      | Name                        | St Format | St Format      | Usage / Remark                         |  |
| FTX      |                             |           |                |  |  |
| 4451     | Text subject code qualifier | M an..3   | M an..3        | <b>ACB Additional information 137;</b> |  |
| 4453     | Free text function code     | C an..3   | N              | <b>138;</b><br>Not used                |  |
| C107     | Text reference              | C         | N              |  |  |
| 4441     | Free text value code        | M an..17  | M an..17       | <b>140;</b>                            |  |
| C108     | Text literal                | C         | C              |  |  |
| 4440     | Free text value             | M an..512 | M an..500      | <b>142;</b>                            |  |
| 4440     | Free text value             | C an..512 | C an..500      | Customs measure SumA<br><b>143;</b>    |  |
| 3453     | Language name code          | C an..3   | C an..3        | <b>144;</b>                            |  |

**Remark:**

This segment is used for additional information in case of customs regulations. Currently it is only used in case of status concerning the summary declaration (931 and 977).

**Example:**

FTX+ACB+++Weitere Informationen zur angeordneten Massnahme.:optional?: Fortsetzung der Informationen zur angeordneten Massnahme.+aa'

| Counter | No | Tag         | Var | St | MaxOcc | Level | Name                             |
|---------|----|-------------|-----|----|--------|-------|----------------------------------|
| 0470    |    | <b>SG10</b> | 1   | D  | 999    | 3     | <b>GID-FTX-SG11</b>              |
| 0520    | 35 | <b>FTX</b>  | 6   | C  | 1      | 4     | <b>Customs' contact<br/>145;</b> |

|      |                             | Standard  | Implementation |   |
|------|-----------------------------|-----------|----------------|---|
| Tag  | Name                        | St Format | St Format      | Usage / Remark                          |
| FTX  |                             |           |                |   |
| 4451 | Text subject code qualifier | M an..3   | M an..3        | <b>AAH Customs information<br/>146;</b> |
| 4453 | Free text function code     | C an..3   | N              | <b>147;</b><br>Not used                 |
| C107 | Text reference              | C         | N              |   |
| 4441 | Free text value code        | M an..17  | M an..17       | <b>149;</b>                             |
| C108 | Text literal                | C         | R              |   |
| 4440 | Free text value             | M an..512 | M an..50       | <b>Name<br/>151;</b>                    |
| 4440 | Free text value             | C an..512 | C an..50       | <b>Phone number<br/>152;</b>            |
| 4440 | Free text value             | C an..512 | C an..50       | <b>fax number<br/>153;</b>              |
| 4440 | Free text value             | C an..512 | C an..128      | <b>email address<br/>154;</b>           |

**Remark:**

Until the changeover to a higher message version of the IFTSTA, the contact details of customs in this FTX segment are transmitted when a measure is ordered. Not all contact details are always available. For some control measures, these are transmitted in the measure text.

**Example:**

FTX+AAH+++Peter Mueller:040 1234567:040 1234569:name@domain.com'

| Counter | No | Tag         | Var | St | MaxOcc | Level | Name                               |
|---------|----|-------------|-----|----|--------|-------|------------------------------------|
| 0530    |    | <b>SG11</b> | 1   | C  | 1      | 4     | <b>MEA</b>                         |
| 0540    | 36 | <b>MEA</b>  | 1   | M  | 1      | 4     | <b>Measurements</b><br><b>156;</b> |

| Standard   |                                       |           | Implementation |  |
|------------|---------------------------------------|-----------|----------------|--|
| Tag        | Name                                  | St Format | St Format      | Usage / Remark   |
| <b>MEA</b> |                                       |           |                |  |
| 6311       | Measurement purpose code<br>qualifier | M an..3   | M an..3        | <b>WT Weights</b><br><b>157;</b>                           |
| C502       | Measurement details                   | C         | C              |  |
| 6313       | Measured attribute code               | C an..3   | C an..3        | <b>G Gross weight</b><br><b>159;</b>                       |
| C174       | Value/range                           | C         | C              |  |
| 6411       | Measurement unit code                 | M an..3   | M an..3        | <b>KGM kilogram</b><br><b>161;</b>                         |
| 6314       | Measurement value                     | C an..18  | C n..14        | Declared weight, gross weight; format: 14,3<br><b>162;</b> |

**Remark:**

Declaration of weight

prior ATB: manifest data

confirmed or completed ATB: data of depository note or completion message

In case of confirmation or completion possibly the parts. Please note, that a GID position could be assigned to several summary declarations, e.g. a BL-position, assigned to three containers.

**Example:**

MEA+WT+G+KGM: 2301 . 235 '

| Counter | No | Tag        | Var | St | MaxOcc | Level | Name                    |
|---------|----|------------|-----|----|--------|-------|-------------------------|
| 0620    | 37 | <b>UNT</b> | 1   | M  | 1      | 0     | Message trailer<br>163; |

|      |                                 | Standard  | Implementation |                |
|------|---------------------------------|-----------|----------------|----------------|
| Tag  | Name                            | St Format | St Format      | Usage / Remark |
| UNT  |                                 |           |                |                |
| 0074 | Number of segments in a message | M n..10   | M n..10        | <b>164;</b>    |
| 0062 | Message reference number        | M an..14  | M an..14       | <b>165;</b>    |

**Remark:**

**Example:**

UNT+35+4444'

| Counter | No | Tag        | Var | St | MaxOcc | Level | Name                        |
|---------|----|------------|-----|----|--------|-------|-----------------------------|
| 0000    | 38 | <b>UNZ</b> | 1   | M  | 1      | 0     | Interchange trailer<br>166; |

| Standard |                               |           | Implementation |                |
|----------|-------------------------------|-----------|----------------|----------------|
| Tag      | Name                          | St Format | St Format      | Usage / Remark |
| UNZ      |                               |           |                |                |
| 0036     | Interchange control count     | M n..6    | M n..6         | <b>167;</b>    |
| 0020     | Interchange control reference | M an..14  | M an..14       | <b>168;</b>    |

**Remark:**

**Example:**

UNZ+1+3144'



RFF+ANK:1425042995899'  
DTM+334:20240304121444:204'  
DTM+36:20240420:102'  
FTX+AAI+++SumA bestätigt'  
FTX+AHN+++934:SUMA'  
FTX+AHN+++934:CONT'  
NAD+DDB+ZOLL'  
TDT+20+85W21+++MOLU+++9773222:::MOL TREASURE:JP'  
RFF+VM:3EU07'  
EQD+CN+TRIU2609780'  
GID+1+1:VL'  
FTX+TRA++ZZZ+TRIU2609780/TRIU26097801502270'  
FTX+TRA++BM+BL635879964:1'  
FTX+TRA++ANK+711013975'  
FTX+AAA+++Milchpulver'  
MEA+WT+G+KGM:24490'  
UNT+23+965913392'  
UNZ+1+96580575'

#### **4.1.1.3 Status 941 – SumA process finished**

UNA:+. ? '  
UNB+UNOC:3+IMP+DKK+20190223:0835+17112105'  
UNH+171224002+IFTSTA:D:00B:UN'  
BGM+23:::STATUS MESSAGE+171224002'  
DTM+137:201903191315:203'  
CNI+1'  
STS++941:IMP01:DAK'  
RFF+EQ:MIDU8404148'  
RFF+BM:DAKU85354117'  
RFF+ABT:ATB151645770220194851'  
RFF+IB:24DE4851C1234567U0'  
RFF+AHZ::ZB'  
RFF+ANK:112354117'  
DTM+334:20240319131407:204'  
FTX+AAI+++SumA erledigt'  
FTX+AHN+++941:SUMA'  
FTX+AHN+++941:CONT'  
NAD+DDB+ZOLL'  
NAD+GC++DE6967566:0000'  
TDT+20+47E11+++CAIU+++9745548:::CMA CGM NEVA:FR'  
RFF+VM:9HA4749'  
EQD+CN+MIDU8404148'  
GID+1+1669:PK'  
FTX+TRA++ZZZ+MIDU8404148/MIDU84041481502190'  
FTX+TRA++BM+DAKU85354117:1'  
FTX+TRA++ANK:112354117'  
FTX+CUS++AHZ+ZB:ATC420135780320194851'  
FTX+AAA+++Schellen für Balkonbefestigung'  
MEA+WT+G+KGM:22321'

UNT+25+171224002 '  
UNZ+1+17112105 '

#### 4.1.1.4 Status 941 – SumA process finished (manual completion)

UNA:+. ? '  
UNB+UNOC:3+IMP+DKK+20190223:0835+17112105 '  
UNH+171224002+IFTSTA:D:00B:UN '  
BGM+23:::STATUS MESSAGE+171224002 '  
DTM+137:201903191315:203 '  
CNI+1 '  
STS++941:IMP01:DAK '  
RFF+EQ:MIDU8404148 '  
RFF+BM:DAKU85354117 '  
RFF+ABT:ATB151645770220194851 '  
RFF+IB:24DE4851C1234567U0 '  
RFF+AHZ::MANU '  
RFF+ANK:DAKU85354117 '  
DTM+334:20190319131407:204 '  
FTX+AAI+++SumA erledigt '  
FTX+AHN+++941:SUMA '  
FTX+AHN+++941:CONT '  
NAD+DDB+ZOLL '  
NAD+GC++DE6967566:0000 '  
TDT+20+47E11+++CAIU+++9745548:::CMA CGM NEVA:FR '  
RFF+VM:9HA4749 '  
EQD+CN+MIDU8404148 '  
GID+1+1669:PK '  
FTX+TRA++ZZZ+MIDU8404148/MIDU84041481502190 '  
FTX+TRA++BM+DAKU85354117:1 '  
FTX+CUS++AHZ+MANU:ATM100126410220194851:23/18526/2/15 '  
FTX+TRA++ANK+DAKU85354117 '  
FTX+AAA+++Schellen für Balkonbefestigung '  
MEA+WT+G+KGM:22321 '  
UNT+25+171224002 '  
UNZ+1+17112105 '

#### 4.1.1.5 Status 942 – Completion of custody

UNA:+. ? '  
UNB+UNOC:3+IMP+DKK+20190223:0835+17112105 '  
UNH+171224172+IFTSTA:D:00B:UN '  
BGM+23:::STATUS MESSAGE+171224172 '  
DTM+137:201903191315:203 '  
CNI+1 '  
STS++942:IMP01:DAK '  
RFF+EQ:FSCU3810136 '  
RFF+BM:DAKU9J83364 '  
RFF+ABT:ATB151655130320194851 '  
RFF+IB:24DE4851C1234567U0 '  
RFF+ANK:DAKU9J83364 '

DTM+334:20190319131408:204'  
DTM+36:20190430:102'  
FTX+AAI+++Ende Verwahrung Terminal'  
FTX+AHN+++942:SUMA'  
FTX+AHN+++942:CONT'  
NAD+DDB+ZOLL'  
TDT+20+47E11+++CAIU+++9745548:::CMA CGM NEVA:FR'  
RFF+VM:9HA4749'  
EQD+CN+FSCU3810136'  
GID+1+220:CT'  
FTX+TRA++ZZZ+FSCU3810136/FSCU38101361503090'  
FTX+TRA++BM+DAKU9J83364:1'  
FTX+TRA++ANK:DAKU9J83364'  
FTX+AAA+++Schuhe mit Laufsohlen aus Kautschuk, Kunststoff oder künstlichem Leder und Oberteil aus Leder'  
MEA+WT+G+KGM:3530'  
UNT+23+171224172'  
UNZ+1+17112105'

#### **4.1.1.6 Status 946 – Announcement change of custody**

UNA:+. ? '  
UNB+UNOC:3+IMP+DKK+20190223:0835+17112105'  
UNH+171207712+IFTSTA:D:00B:UN'  
BGM+23:::STATUS MESSAGE+171207712'  
DTM+137:201903191315:203'  
CNI+1'  
STS++946:IMP01:DAK'  
RFF+EQ:TCIU1466110'  
RFF+BM:DAKU6058962'  
RFF+ABT:ATB150651930320194851'  
RFF+IB:24DE4851C1234567U0'  
RFF+ANK:201903091016546679'  
DTM+334:20190319131241:204'  
DTM+36:20190504:102'  
FTX+AAI+++Verwahrerwechsel'  
FTX+AHN+++946:SUMA'  
FTX+AHN+++946:CONT'  
NAD+DDB+ZOLL'  
EQD+CN+TCIU1466110'  
GID+1+1:BX'  
FTX+TRA++ZZZ+TCIU1466110/TCIU14661101503090'  
FTX+TRA++BM+DAKU6058962:6'  
FTX+AAA+++ZUBEHÖR FÜR PUMPEN'  
MEA+WT+G+KGM:290'  
GID+2+2:PE'  
FTX+TRA++ZZZ+TCIU1466110/TCIU14661101503090'  
FTX+TRA++BM+DAKU6058962:7'  
FTX+AAA+++WERKZEUGTEILE'  
MEA+WT+G+KGM:1225.4'

GID+3+1:BX'  
FTX+TRA++ZZZ+TCIU1466110/TCIU14661101503090'  
FTX+TRA++BM+DAKU6058962:8'  
FTX+AAA+++SCHRAUBEN'  
MEA+WT+G+KGM:102'  
GID+4+7:BX'  
FTX+TRA++ZZZ+TCIU1466110/TCIU14661101503090'  
FTX+TRA++BM+DAKU6058962:9'  
FTX+AAA+++GUSSFORMEN'  
MEA+WT+G+KGM:2506'  
GID+5+5:PE'  
FTX+TRA++ZZZ+TCIU1466110/TCIU14661101503090'  
FTX+TRA++BM+DAKU6058962:10'  
FTX+AAA+++MOTORTEILE'  
MEA+WT+G+KGM:3230'  
GID+6+40:CT'  
FTX+TRA++ZZZ+TCIU1466110/TCIU14661101503090'  
FTX+TRA++BM+DAKU6058962:11'  
FTX+AAA+++DIGITAL VIDEO RECORDER'  
MEA+WT+G+KGM:800'  
UNT+45+171207712'  
UNZ+1+17112105'