

VIP

APERAK

Functional acknowledgement message

Message Implementation Guide

Version 1.0/E

(Valid from March 2015)

DAKOSY
Datenkommunikationssystem AG

Mattentwiete 2
20457 Hamburg
www.dakosy.de

Phone: + 49 40 37003 - 0
Fax: + 49 40 37003 - 370
info@dakosy.de

Change History

Version	Concerned section	Reason	Name	Datum
1.0	All	- Creation of document	Kramper	2015-03-09

Change requests

DAKOSY

Datenkommunikationssystem AG

Mattentwiete 2

20457 Hamburg

1. Phone: + 49 40 37003 - 0
2. Fax: + 49 40 37003 - 370
3. Email: info@dakosy.de

Used tools

Number	Used tools
W1	This document was created with the word processing programme MS Word 2010 .



Table of contents

1	Introduction	4
2	Message Structure	5
3	Branching Diagram.....	5
4	Segment Description.....	10



1 Introduction

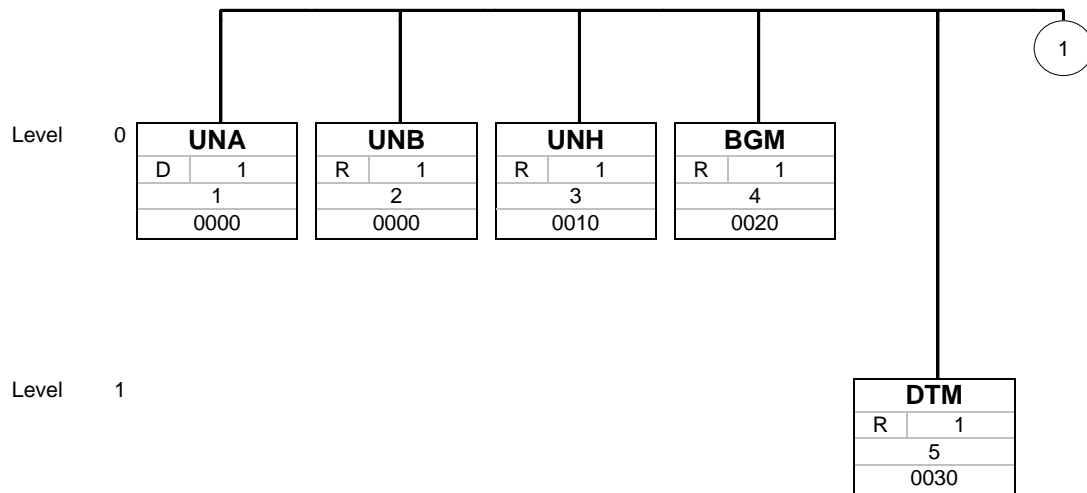
Similar to other EDI systems at DAKOSY, VIP features acknowledgement messages to confirm the receipt and processing status to the sender of an EDI message.

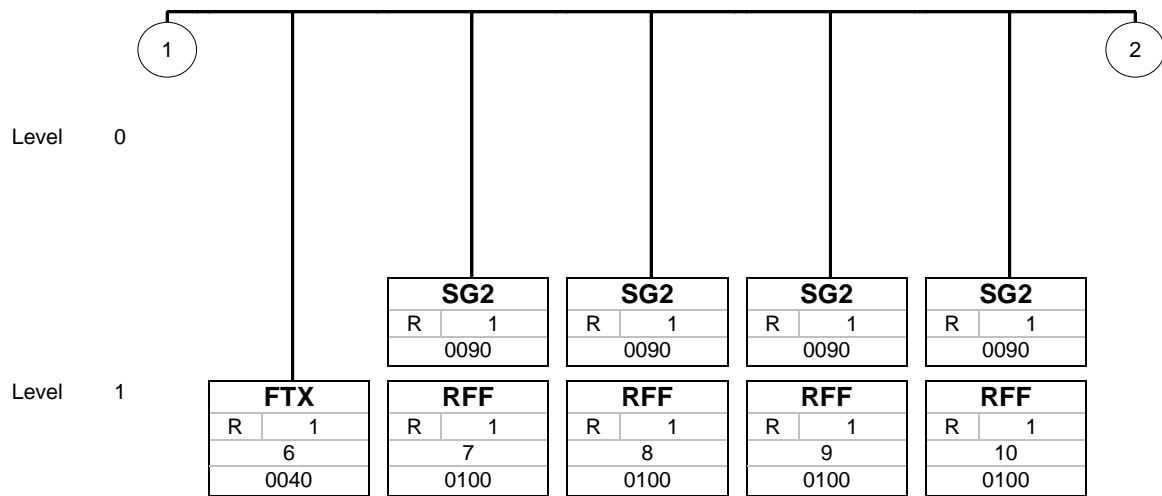


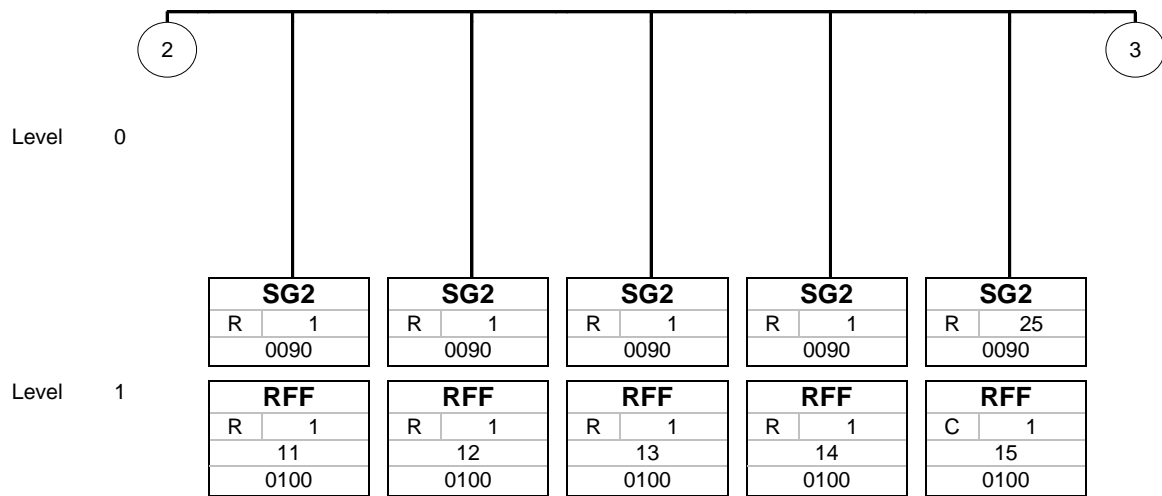
2 Message Structure

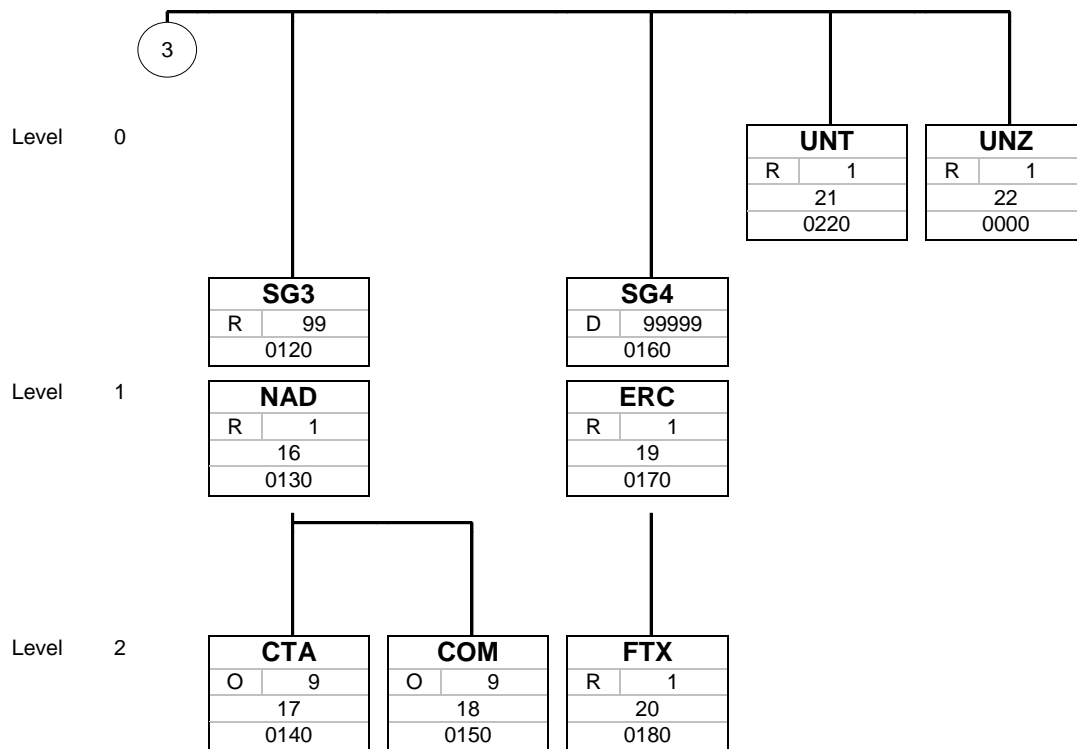
Counter	No	Tag	St	MaxOcc	Level	Content
0000	1	UNA	D	1	0	Service string advice
0000	2	UNB	R	1	0	Interchange header
0010	3	UNH	R	1	0	Message header
0020	4	BGM	R	1	0	Beginning of message
0030	5	DTM	R	1	1	Date/time/period
0040	6	FTX	R	1	1	Free text
0090		SG2	R	1	1	RFF
0100	7	RFF	R	1	1	Reference
0090		SG2	R	1	1	RFF
0100	8	RFF	R	1	1	Reference
0090		SG2	R	1	1	RFF
0100	9	RFF	R	1	1	Reference
0090		SG2	R	1	1	RFF
0100	10	RFF	R	1	1	Reference
0090		SG2	R	1	1	RFF
0100	11	RFF	R	1	1	Reference
0090		SG2	R	1	1	RFF
0100	12	RFF	R	1	1	Reference
0090		SG2	R	1	1	RFF
0100	13	RFF	R	1	1	Reference
0090		SG2	R	1	1	RFF
0100	14	RFF	R	1	1	Reference
0090		SG2	R	25	1	RFF
0100	15	RFF	C	1	1	Visit-ID/Transit-ID
0120		SG3	R	99	1	NAD-CTA-COM
0130	16	NAD	R	1	1	Name and address
0140	17	CTA	O	9	2	Contact information
0150	18	COM	O	9	2	Communication contact
0160		SG4	D	99999	1	ERC-FTX
0170	19	ERC	R	1	1	Application error information
0180	20	FTX	R	1	2	Free text
0220	21	UNT	R	1	0	Message trailer
0000	22	UNZ	R	1	0	Interchange trailer

3 Branching Diagram











4 Segment Description

Counter	No	Tag	St	MaxOcc	Level	Name
0000	1	UNA	D	1	0	Service string advice

			Standard	Implementation	
Tag	Name	St	Format	St	Format / Usage / Remark
UNA					
UNA1	Component data element separator	M	an1	R	an1
UNA2	Data element separator	M	an1	R	an1
UNA3	Decimal notation	M	an1	R	an1
UNA4	Release indicator	M	an1	R	an1
UNA5	Reserved for future use	M	an1	R	an1
UNA6	Segment terminator	M	an1	R	an1

Remark:

The use of the separators shown in the example is recommended.

Example:

UNA: + . ? '



Counter	No	Tag	St	MaxOcc	Level	Name
0000	2	UNB	R	1	0	Interchange header

		Standard	Implementation	
Tag	Name	St Format	St Format	Usage / Remark
UNB				
S001	Syntax identifier	M	R	
0001	Syntax identifier	M a4	R a4	UNOB UN/ECE level B 4 Version 4 Syntax release 4 was chosen to facilitate an eight-digit (DE 0017) date display. Further changes from syntax release 4, e.g. composite repetitions, are not used.
0002	Syntax version number	M n1	R n1	
S002	Interchange sender	M	R	
0004	Sender identification	M an..35	R an..35	DAKOSY
S003	Interchange recipient	M	R	
0010	Recipient identification	M an..35	R an..35	The "user code" from the examined message (sender in UNB / DE 0004) is used.
S004	Date/time of preparation	M	R	
0017	Date of preparation	M n6	R n8	Format: CCYYMMDD
0019	Time of preparation	M n4	R n4	
0020	Interchange control reference	M an..14	R an..14	This reference must be assigned uniquely.

Remark:

Example:

UNB+UNOB:4+DAKOSY+USERCODE+20150323:1350+UNB0REFERENCE'



Counter	No	Tag	St	MaxOcc	Level	Name
0010	3	UNH	R	1	0	Message header

		Standard	Implementation	
Tag	Name	St Format	St Format	Usage / Remark
UNH				
0062	Message reference number	M an..14	R an..14	This reference must be assigned uniquely.
S009	Message identifier	M	R	
0065	Message type	M an..6	R an..6	APERAK Application error and acknowledgement message
0052	Message version number	M an..3	R an..3	D Draft version/UN/EDIFACT Directory
0054	Message release number	M an..3	R an..3	00B Release 2000 - B
0051	Controlling agency	M an..2	R an..2	UN UN/ECE/TRADE/WP.4, United Nations StandardMessages (UNSM)
0057	Association assigned code	C an..6	C an..6	

Remark:

Example:

UNH+UNHREFERENCE+APERAK:D:00B:UN:APPLICATION CODE'



Counter	No	Tag	St	MaxOcc	Level	Name
0020	4	BGM	R	1	0	Beginning of message

		Standard		Implementation	
Tag	Name	St	Format	St	Format / Remark
BGM					
C002	Document/message name	C		R	
1001	Document name code	C	an..3	R	an..3
					404 Means of transportation schedule information
C106	Document/message identification	C		R	
1004	Document identifier	C	an..35	R	an..35
1225	Message function code	C	an..3	R	an..3
4343	Response type code	C	an..3	R	an..3
					<p>This reference must be assigned uniquely.</p> <p>9 Original AP Accepted RE Rejected</p> <p>AP = The error-free receipt of the IFTSAI data is confirmed. Used to submit the DAKOSY voyage no..</p> <p>RE = The reported vessel departure has been rejected. The reason for the rejection is always stated in segment ERC (segment group 4)/ DE9321 and an error description in plain text usually appears in segment FTX. Further details can be taken from the description in segment group 4 (cf. www.dakosy-direct-de).</p>

Remark:

Example:

BGM+404+DOCUMENTNUMBER+9+AP'



Counter	No	Tag	St	MaxOcc	Level	Name
0030	5	DTM	R	1	1	Date/time/period

		Standard	Implementation	
Tag	Name	St Format	St Format	Usage / Remark
DTM				
C507	Date/time/period	M	R	
2005	Date or time or period function code qualifier	M an..3	R an..3	9 Processing date/time
2380	Date or time or period value	C an..35	R an..35	
2379	Date or time or period format code	C an..3	R an..3	203 CCYYMMDDHHMM

Remark:

Date and time of the semantic check.

Example:

DTM+9:DATE/TIME:203'



Counter	No	Tag	St	MaxOcc	Level	Name
0040	6	FTX	R	1	1	Free text

		Standard	Implementation	
Tag	Name	St Format	St Format	Usage / Remark
FTX				
4451	Text subject code qualifier	M an..3	R an..3	ACB Additional information Additional information only used for transmitting the vessel name for the acknowledged voyage.
C108	Text literal	C	R	
4440	Free text value	M an..512	R an..512	Vessel name

Remark:

This segment is used to submit the vessel name sent in IFTSAI.

Example:

FTX+ACB'



Counter	No	Tag	St	MaxOcc	Level	Name
0090		SG2	R	1	1	RFF
0100	7	RFF	R	1	1	Reference

			Standard	Implementation		
Tag	Name	St	Format	St	Format	Usage / Remark
RFF						
C506	Reference	M		R		
1153	Reference code qualifier	M	an..3	R	an..3	AGO Sender's reference to the original message The reference from the segment UNH, DE0062 of the IFTSAI message is specified.
1154	Reference identifier	C	an..70	R	an..70	Reference number

Remark:

Example:

RFF+AGO:REFERENCE'



Counter	No	Tag	St	MaxOcc	Level	Name
0090		SG2	R	1	1	RFF
0100	8	RFF	R	1	1	Reference

			Standard	Implementation		
Tag	Name	St	Format	St	Format	Usage / Remark
RFF						
C506	Reference	M		R		
1153	Reference code qualifier	M	an..3	R	an..3	ACW Reference number to previous message The reference from segment BGM, DE1004 of the IFTSAI message is specified.
1154	Reference identifier	C	an..70	R	an..70	Reference number

Remark:

Example:

RFF+ACW:REFERENCE'



Counter	No	Tag	St	MaxOcc	Level	Name
0090		SG2	R	1	1	RFF
0100	9	RFF	R	1	1	Reference

			Standard	Implementation		
Tag	Name	St	Format	St	Format	Usage / Remark
RFF						
C506	Reference	M		R		
1153	Reference code qualifier	M	an..3	R	an..3	ZZZ Mutually defined reference number The reference submitted in the segment TDT 8028/ IFTSAL is specified here.
1154	Reference identifier	C	an..70	R	an..70	Reference number

Remark:

This segment is used to submit the voyage no transmitted in the IFTSAI, segment TDT 8028.

Example:

RFF+ZZZ:REFERENCE'



Counter	No	Tag	St	MaxOcc	Level	Name
0090		SG2	R	1	1	RFF
0100	10	RFF	R	1	1	Reference

			Standard	Implementation	
Tag	Name	St	Format	St	Format / Usage / Remark
RFF					
C506	Reference	M		R	
1153	Reference code qualifier	M	an..3	R	an..3
					ANK Reference number assigned by third party
1154	Reference identifier	C	an..70	R	an..70
					Reference number

Remark:

This segment is used to submit the DAKOSY Voyage no. It will either be transmitted in the IFTSAI messages (update or generation of SAB at the sender of the IFTSAI - only in case of original) or it will be generated by DAKOSY (original).

Example:

RFF+ANK:REFERENCE'



Counter	No	Tag	St	MaxOcc	Level	Name
0090		SG2	R	1	1	RFF
0100	11	RFF	R	1	1	Reference

			Standard	Implementation		
Tag	Name	St	Format	St	Format	Usage / Remark
RFF						
C506	Reference	M		R		
1153	Reference code qualifier	M	an..3	R	an..3	CRN Conveyance reference number
1154	Reference identifier	C	an..70	R	an..70	Reference number

Remark:

This segment is used to submit the reference CRN, sent in the IFTSAI.
The specified reference will be sent back in the APERAK if transferred in the IFTSAI.

Example:

RFF+CRN:REFERENCE'



Counter	No	Tag	St	MaxOcc	Level	Name
0090		SG2	R	1	1	RFF
0100	12	RFF	R	1	1	Reference

			Standard	Implementation	
Tag	Name		St Format	St Format	Usage / Remark
RFF					
C506	Reference		M	R	
1153	Reference code qualifier		M an..3	R an..3	VM Vessel identification
1154	Reference identifier		C an..70	R an..70	Reference number

Remark:

This segment is used to submit the reference VM, sent in the IFTSAI.
The specified reference will be sent back in the APERAK if transferred in the IFTSAI.

Example:

RFF+VM:REFERENCE'



Counter	No	Tag	St	MaxOcc	Level	Name
0090		SG2	R	1	1	RFF
0100	13	RFF	R	1	1	Reference

			Standard	Implementation		
Tag	Name	St	Format	St	Format	Usage / Remark
RFF						
C506	Reference	M		R		
1153	Reference code qualifier	M	an..3	R	an..3	VON Voyage number
1154	Reference identifier	C	an..70	R	an..70	Reference number

Remark:

This segment is used to submit the reference VON, sent in the IFTSAI.
The specified reference will be sent back in the APERAK if transferred in the IFTSAI.

Example:

RFF+VON:REFERENCE'



Counter	No	Tag	St	MaxOcc	Level	Name
0090		SG2	R	1	1	RFF
0100	14	RFF	R	1	1	Reference

			Standard	Implementation	
Tag	Name	St	Format	St	Format / Usage / Remark
RFF					
C506	Reference	M		R	
1153	Reference code qualifier	M	an..3	R	an..3 CN Carrier's reference number
1154	Reference identifier	C	an..70	R	an..70 Reference number

Remark:

This segment is used to submit the reference CN, sent in the IFTSAI.
The specified reference will be sent back in the APERAK if transferred in the IFTSAI.

Example:

RFF+CN:REFERENCE'



Counter	No	Tag	St	MaxOcc	Level	Name
0090		SG2	R	25	1	RFF
0100	15	RFF	C	1	1	Visit-ID/Transit-ID

			Standard	Implementation	
Tag	Name		St Format	St Format	Usage / Remark
RFF					
C506	Reference		M	M	
1153	Reference code qualifier		M an..3	M an..3	ATZ Visit-ID/Transit-ID
1154	Reference identifier		C an..70	R an35	Within Germany 17 digits are currently used: UNLoCode, dash, year, dash, consecutive number 5 digits with check digit.
4000	Reference version identifier		C an..35	R an..5	Specification of port location (related to Visit-/ Transit-ID) "XY" = UNLOCODE

Remark:

Example:

RFF+ATZ:DEHAM-2015-000015::UNLOCODE'



Counter	No	Tag	St	MaxOcc	Level	Name
0120		SG3	R	99	1	NAD-CTA-COM
0130	16	NAD	R	1	1	Name and address

			Standard	Implementation		
Tag	Name	St	Format	St	Format	Usage / Remark
NAD						
3035	Party function code qualifier	M	an..3	R	an..3	MS Document/message issuer/sender
C082	Party identification details	C		R		
3039	Party identifier	M	an..35	R	an..35	DAKOSY
C058	Name and address	C		C		
3124	Name and address description	M	an..35	M	an..35	

Remark:

Example:

NAD+MS+DAKOSY+NAME&ADDRESS'



Counter	No	Tag	St	MaxOcc	Level	Name
0120		SG3	R	99	1	NAD-CTA-COM
0140	17	CTA	O	9	2	Contact information

			Standard	Implementation		
Tag	Name	St	Format	St	Format	Usage / Remark
CTA						
3139	Contact function code	C	an..3	R	an..3	BF Service contact
C056	Department or employee details	C		R		
3412	Department or employee name	C	an..35	R	an..35	DAKOSY - Call Centre

Remark:

Example:

CTA+BF+:NAME OF CONTACT'



Counter	No	Tag	St	MaxOcc	Level	Name
0120		SG3	R	99	1	NAD-CTA-COM
0150	18	COM	O	9	2	Communication contact

			Standard	Implementation	
Tag	Name	St	Format	St	Format / Usage / Remark
COM					
C076	Communication contact	M		R	
3148	Communication address identifier	M	an..512	R	an..512 Telephone number of the DAKOSY Call Centre
3155	Communication address code qualifier	M	an..3	R	an..3 TE Telephone

Remark:

Example:

COM+?+49 40 37860990:TE'



Counter	No	Tag	St	MaxOcc	Level	Name
0160		SG4	D	99999	1	ERC-FTX
This segment group is only used in case of an error (response type „RE“ (Rejected) (BGM, DE4343)).						
0170	19	ERC	R	1	1	Application error information

Standard			Implementation		
Tag	Name	St Format	St	Format	Usage / Remark
ERC					
C901	Application error detail	M	R		
9321	Application error code	M an..8	R	an..8	The remaining error codes (for "response type" „RE“ (Rejected)) are published on the homepage (WWW.DAKOSY-DIRECT.DE -> Codes -> Fehlercodes -> Transaktion AB02) Warnings: Error codes which begin with "W" are only warnings. A warning has informative character and does not lead to the rejection of the IFTSAI.

Remark:

Example:

ERC+ERRORCODE'



Counter	No	Tag	St	MaxOcc	Level	Name
0160		SG4	D	99999	1	ERC-FTX
0180	20	FTX	R	1	2	Free text

			Standard	Implementation		
Tag	Name	St	Format	St	Format	Usage / Remark
FTX						
4451	Text subject code qualifier	M	an..3	R	an..3	AAO Error description (free text)
C108	Text literal	C		R		
4440	Free text value	M	an..512	R	an..512	Description/explanation of the error or warning (free text)
4440	Free text value	C	an..512	O	an..512	
4440	Free text value	C	an..512	O	an..512	
4440	Free text value	C	an..512	O	an..512	
4440	Free text value	C	an..512	O	an..512	

Remark:

Example:

FTX+AAO+++FREE TEXT:X:X:X:X'



Counter	No	Tag	St	MaxOcc	Level	Name
0220	21	UNT	R	1	0	Message trailer

		Standard	Implementation	
Tag	Name	St Format	St Format	Usage / Remark
UNT				
0074	Number of segments in the message	M n..6	R n..6	Number of segments. The segments UNH and UNT are included in the count.
0062	Message reference number	M an..14	R an..14	This reference must be unique for the message occurrence regardless of the message type and business application area. Data element [0062] must be identical to the one in the UNH- and UNT-segment.

Remark:

Example:

UNT+17+UNH0REFERENCE '



Counter	No	Tag	St	MaxOcc	Level	Name
0000	22	UNZ	R	1	0	Interchange trailer

		Standard	Implementation	
Tag	Name	St Format	St Format	Usage / Remark
UNZ				
0036	Interchange control count	M n..6	R n..6	Number of messages.
0020	Interchange control reference	M an..14	R an..14	Reference no. as in UNB/0020

Remark:

Example:

UNZ+1+UNB0REFERENCE'