

VIP

CONTRL

Message Implementation Guide

Version 1.0/E

(Valid from March 2015)

DAKOSY
Datenkommunikationssystem AG

Mattentwiete 2
20457 Hamburg
www.dakosy.de

Phone: + 49 40 37003 - 0
Fax: + 49 40 37003 - 370
info@dakosy.de

Change History

Version	Concerned section	Reason	Name	Datum
1.0	All	- Initial creation of document	Kramper	2015-03-09

Change requests

DAKOSY

Datenkommunikationssystem AG

Mattentwiete 2

20457 Hamburg

1. Phone: + 49 40 37003 - 0
2. Fax: + 49 40 37003 - 370
3. Email: info@dakosy.de

Used tools

Number	Used tools
W1	This document was created with the word processing programme MS Word 2010 .



Table of contents

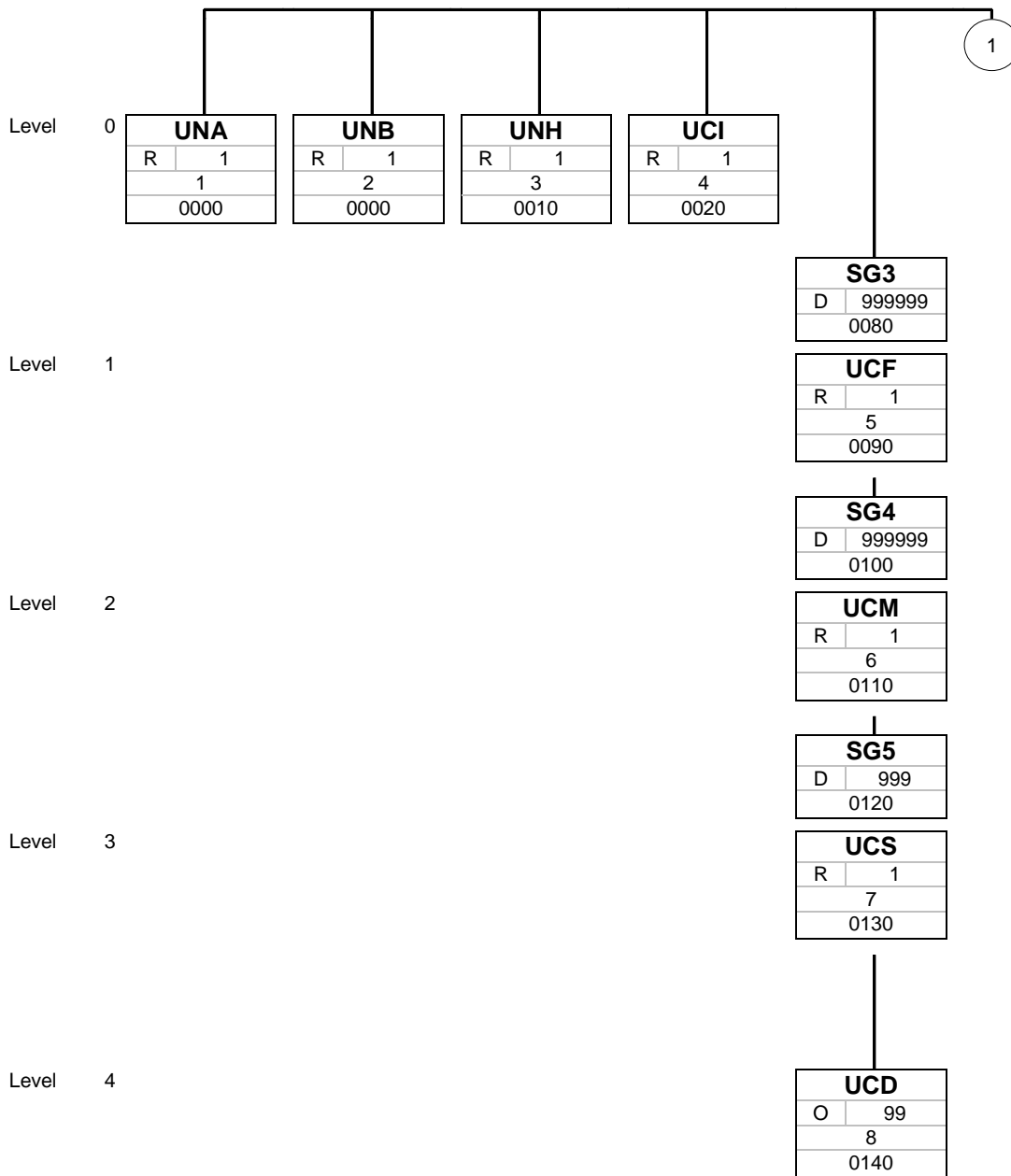
1	Message Structure	4
2	Branching Diagram	4
3	Segment Description.....	7

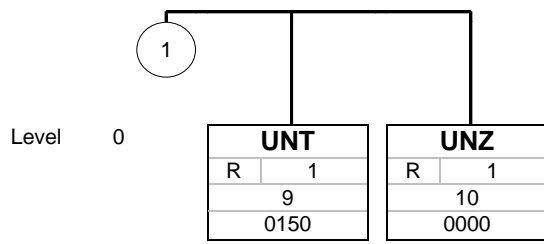


1 Message Structure

Counter	No	Tag	St	MaxOcc	Level	Content
0000	1	UNA	R	1	0	Service string advice
0000	2	UNB	R	1	0	Interchange header
0010	3	UNH	R	1	0	Message header
0020	4	UCI	R	1	0	Interchange response
0080		SG3	D	999999	1	UCF-SG4
0090	5	UCF	R	1	1	Functional group response
0100		SG4	D	999999	2	UCM-SG5
0110	6	UCM	R	1	2	Message response
0120		SG5	D	999	3	UCS-UCD
0130	7	UCS	R	1	3	Segment error indication
0140	8	UCD	O	99	4	Data element error indication
0150	9	UNT	R	1	0	Message trailer
0000	10	UNZ	R	1	0	Interchange trailer

2 Branching Diagram







3 Segment Description

Counter	No	Tag	St	MaxOcc	Level	Name
0000	1	UNA	R	1	0	Service string advice

		Standard	Implementation	
Tag	Name	St Format	St Format	Usage / Remark
UNA				
UNA1	Component data element separator	M an1	R an1	
UNA2	Data element separator	M an1	R an1	
UNA3	Decimal notation	M an1	R an1	
UNA4	Release indicator	M an1	R an1	
UNA5	Reserved for future use	M an1	R an1	
UNA6	Segment terminator	M an1	R an1	

Remark:

It is recommended to use the separators shown in the example.

Example:

UNA: + . ? ' '



Counter	No	Tag	St	MaxOcc	Level	Name
---------	----	-----	----	--------	-------	------

0000	2	UNB	R	1	0	Interchange header
------	---	------------	---	---	---	--------------------

		Standard		Implementation		
Tag	Name	St	Format	St	Format	Usage / Remark
UNB						
S001	Syntax identifier	M		R		
0001	Syntax identifier	M	a4	R	a4	UNOB UN/ECE level B 4 Version 4 Syntax release 4 was chosen to facilitate an eight-digit (DE 0017) date display. Further changes from syntax release 4, e.g. composite repetition, are not used.
0002	Syntax version number	M	n1	R	n1	
S002	Interchange sender	M		R		
0004	Sender identification	M	an..35	R	an..35	DAKOSY
S003	Interchange recipient	M		R		
0010	Recipient identification	M	an..35	R	an..35	The "user code" from the examined message (sender in UNB / DE 0004) is used.
S004	Date/time of preparation	M		R		
0017	Date of preparation	M	n6	R	n6	Format: CCYYMMDD
0019	Time of preparation	M	n4	R	n4	
0020	Interchange control reference	M	an..14	R	an..14	Reference must be assigned uniquely.

Remark:

Example:

UNB+UNOB:4+DAKOSY+USERCODE+20140526:1111+UNB0REFERENCE'



Counter	No	Tag	St	MaxOcc	Level	Name
0010	3	UNH	R	1	0	Message header

		Standard	Implementation	
Tag	Name	St Format	St Format	Usage / Remark
UNH				
0062	Message reference number	M an..14	R an..14	Reference must be assigned uniquely.
S009	Message identifier	M	R	
0065	Message type	M an..6	R an..6	CONTRL Syntax and service report message
0052	Message version number	M an..3	R an..3	D Draft version/UN/EDIFACT Directory
0054	Message release number	M an..3	R an..3	3 Release 3
0051	Controlling agency	M an..2	R an..2	UN UN/ECE/TRADE/WP.4, United Nations Standard Messages (UNSM)

Remark:

Example:

UNH+UNH0REFERENCE+CONTRL:D:3:UN'



Counter	No	Tag	St	MaxOcc	Level	Name
0020	4	UCI	R	1	0	Interchange response

		Standard	Implementation		
Tag	Name	St Format	St Format	Usage / Remark	
UCI					
0020	Interchange control reference	M an..14	R an..14	Information of interchange reference (UNB / DE 0020) to which the CONTRL itself refers.	
S002	Interchange sender	M	R		
0004	Sender identification	M an..35	R an..35	The "user code" from the examined message (sender in UNB / DE 0004) is used.	
S003	Interchange recipient	M	R		
0010	Recipient identification	M an..35	R an..35	DAKOSY	
0083	Action, coded	M an..3	R an..3	4 This level and all lower levels rejected 8 Interchange received	
0085	Syntax error, coded	C an..3	D an..3	The error code is shown in this DE, if a syntax error was found in the segments UNA, UNB or UNZ, code, e.g. 35 = too many segment repetitions	
0013	Service segment tag, coded	C a3	D a3	UNA Service string advice UNB Interchange header UNZ Interchange trailer The erroneous segment is shown in this DE, if a syntax error was found in the segments UNA, UNB or UNZ.	

Remark:

This segment displays whether the entire interchange (UNB - UNZ) is syntactically correct or incorrect. Should an error be found, the processing will stop after the generation of the CONTRL. However, if the data are syntactically correct, the semantic check will follow.

Example:

UCI+REFERENCE+USERCODE+DAKOSY+4+35+UNA '



Counter No	Tag	St	MaxOcc	Level	Name
0080	SG3	D	999999	1	UCF-SG4
This segment group is only generated for message groups in which a syntax error was found.					
0090	5 UCF	R	1	1	Functional group response

Standard			Implementation	
Tag	Name	St Format	St Format	Usage / Remark
UCF				
0048	Functional group reference number	M an..14	R an..14	Information of functional group reference (UNG / DE 0048) to which this segment group itself refers.
S006	Application sender's identification	M	R	
0040	Sender identification	M an..35	R an..35	The "user code" from the erroneous functional group (Sender in UNG / DE 0040) is used.
S007	Application recipient's identification	M	R	
0044	Recipient's identification	M an..35	R an..35	The "user code" from the erroneous functional group (Recipient in UNG / DE 0044) is used.
0083	Action, coded	M an..3	R an..3	4 This level and all lower levels rejected
0085	Syntax error, coded	C an..3	D an..3	The error code is specified in this DE if a syntax error was found in the segments UNG or UNE. Code, e.g. 12 = invalid value, 35 = too many segment repetitions
0013	Service segment tag, coded	C a3	D a3	UNG Functional group header UNE Functional group trailer The erroneous segment is shown in this DE if a syntax error was found in the segments UNG or UNE.

Remark:

Example:

UCF+REFERENCE+CODE SENDER+CODE RECIPIENT+4+12+UNG'



Counter No	Tag	St	MaxOcc	Level	Name
0100	SG4	D	999999	2	UCM-SG5
This segment group is only generated for message in which a syntax error was found.					
0110	UCM	R	1	2	Message response

Standard			Implementation	
Tag	Name	St Format	St Format	Usage / Remark
UCM				
0062	Message reference number	M an..14	R an..14	Information of message reference (UNH / DE 0062) to which this segment group itself refers.
S009	Message identifier	M	R	
0065	Message type	M an..6	R an..6	IFTSAI Forwarding and transport schedule and availability information
0052	Message version number	M an..3	R an..3	D Draft version/UN/EDIFACT Directory
0054	Message release number	M an..3	R an..3	00B Release 2000 - B
0051	Controlling agency	M an..2	R an..2	UN UN/ECE/TRADE/WP.4, United Nations Standard Messages (UNSM)
0057	Association assigned code	C an..6	O an..6	SMDG20
0083	Action, coded	M an..3	R an..3	4 This level and all lower levels rejected
0085	Syntax error, coded	C an..3	R an..3	The error code is shown in this DE if a syntax error was found in the segments UNH or UNT. Code, e.g. 12 = invalid value, 35 = too many segment repetitions
0013	Service segment tag, coded	C a3	D a3	UNH Message header UNT Message trailer The erroneous segment is shown in this DE if a syntax error was found in the segments UNH or UNT.

Remark:

Example:

UCM+REFERENCE+IFTSAI:D:00B:UN:SMDG20+4+12+UNH'



Counter	No	Tag	St	MaxOcc	Level	Name
0120		SG5	D	999	3	UCS-UCD
This segment group is generated for segments in which a syntax error was found.						
0130	7	UCS	R	1	3	Segment error indication

Standard			Implementation		
Tag	Name	St Format	St Format	Usage / Remark	
UCS					
0096	Segment position in message	M n..6	R n..6	Number of the erroneous segment within the message. The numbering starts with the UNH segment as segment number 1. Should a segment be missing, the number of the last segment will be indicated.	
0085	Syntax error, coded	C an..3	R an..3	Syntax error, coded code, e.g. 12 = invalid value, 35 = too many segment repetitions	

Remark:

Example:

UCS+9+12'



Counter	No	Tag	St	MaxOcc	Level	Name
0120		SG5	D	999	3	UCS-UCD
0140	8	UCD	O	99	4	Data element error indication

			Standard	Implementation		
Tag	Name	St	Format	St	Format	Usage / Remark
UCD						
0085	Syntax error, coded	M	an..3	R	an..3	Syntax error, coded code, e.g. 12 = invalid value, 35 = too many segment repetitions
S011	Data element identification	M		R		
0098	Erroneous data element position in segment	M	n..3	R	n..3	

Remark:

The error can be specified and/or localized more closely in this segment. However, its use is not planned by DAKOSY at the moment.

Example:

UCD+12+9'



Counter	No	Tag	St	MaxOcc	Level	Name
0150	9	UNT	R	1	0	Message trailer

		Standard	Implementation	
Tag	Name	St Format	St Format	Usage / Remark
UNT				
0074	Number of segments in the message	M n..6	R n..6	Number of segments. The segments UNH and UNT are included in the count.
0062	Message reference number	M an..14	R an..14	This reference must be unique for the message occurrence regardless of the message type and business application area. Data element [0062] must be identical in the UNH- and UNT-segment.

Remark:

Example:

UNT+10+UNH0REFERENCE'



Counter	No	Tag	St	MaxOcc	Level	Name
0000	10	UNZ	R	1	0	Interchange trailer

		Standard	Implementation		
Tag	Name	St Format	St Format	Usage / Remark	
UNZ					
0036	Interchange control count	M n..6	R n..6	Number of messages.	
0020	Interchange control reference	M an..14	R an..14	Reference no. as in UNB/0020	

Remark:

Example:

UNZ+1+UNB0REFERENCE'