

EDI

GM01 – Presentation notification ATL@S AES

ZAPP AES specific additions and comments to the EDIFACT guide „The Electronic Export Declaration“

User manual

Version 5.10.0/E

(Valid from February 2023)

DAKOSY
Datenkommunikationssystem AG

Mattentwiete 2
20457 Hamburg
www.dakosy.de

Phone: + 49 40 37003 - 0
info@dakosy.de

Change history

Version	Reason, concerned section	Changed by/ date	Checked by/ date
1.0/D	Creation of document	C. Wegner 17.02.2006	
1.2/D	Revision	C. Wegner 18.05.2006	
1.3/D	Revision, segment AUT removed SG13 FTX comment about declaration type SaCo completed.	C. Wegner 24.06.2006 S. Köhler 13.07.2006	
1.4/D	Segment GIS (no 11) added and corresponding amendments. Chapter.“Fachinhalte der Segmente“added. SG 13 FTX / DE4451 Qualifier AKG (=Chassis no) added.	S. Köhler 14.07.2006 / 20.07.2006	
1.5/D	AES - description of the additional check “Allocation MRN – Container“ See page 44 (Check valid from 11. december 2006)	C. Wegner 06.12.2006	C. Wegner
2.0/D	Segment RFF EP added- Amendments with reference to the transmission of shortages	C. Wegner 11.04.2007	C. Wegner
2.0.1/D	Appendix B added: Structure and and check of the MRN Amendment to the MRN: Seg. No 7 RFF (Shortage complete position MRN)	S. Köhler 02.07.2007	C. Wegner
2.0.2/D	Segment RFF EPadded–Concretization of the description corresponding to the transmission of shortages Layout adjustments	C. Wegner 12.07.2007	C. Wegner
2.0.3/D	Segment FTX: DCL added and comment adjusted accordingly, information to various FTX –qualifiers added/corrected	S. Köhler 17.09.2007 24.09.2007	C. Wegner 17.9.2007
2.0.4/D	Segment FTX: DCL becomes mandatory; FTX+OSI deleted from the 01.03.2008	C. Wegner 15.02.2008	C. Wegner
3.0/D	Amendments to contact data of the sender from the 01.09.2008 (Test from 01.07.2008)	C. Wegner 08.07.2008	C. Wegner 08.07.2008
3.01/D	Rules for chassis No and message example added	J. Diettrich 05.08.2008	3.01/D
4.0/E	Addition of declaration type AEM for market regulation commodities	C. Wegner 13.03.2009	C. Wegner 13.03.2009
5.0/E	New indicator equipment for the car loading, new check for the chassis no.	C. Wegner 01.09.2009	C. Wegner 01.09.2009
5.1/E	Corrections additional cargo	C. Wegner 23.12.2009	C. Wegner 23.12.2009

Version	Reason, concerned section	Changed by/ date	Checked by/ date
5.2/E	Addition of declaration type DUX; transmission of the MRN to ship owners, shipping agents and terminal	F. Schwanke 10.09.2010	F. Schwanke 10.09.2010
5.3/E	Country of dispatch and destination added in segment description	F. Schwanke 05.11.2010	F. Schwanke 05.11.2010
5.4/E	Amendment in segment description, SG6/SG//LOC, country of dispatch and destination	J. Dietrich 28.09.2011	F. Schwanke 28.09.2011
5.4.1/E	- Change of layout and design; - Addition of the table „,List of data fields and corresponding validations“. - Specification additional cargo identifier in SG6/SG7/SG13/ FTX/ position number , composit 4440, cf. page 51	J. Dietrich 28.02.2012	F. Schwanke 28.02.2012
5.5/E	- Change of SG7/ RFF/ former TIN no., cf. page 32 - Addition of segment FTX seal no., cf. page 57	J. Dietrich 11.05.2012	F. Schwanke 11.05.2012
5.6/E	- Removal of segment FTX seal no., cf. page 57	J. Dietrich 03.09.2012	F. Schwanke 03.09.2012
5.6.1/E	Addition of ATB no. in a second RFF (+AEI) in SG 7 for declaration type DUX	J. Dietrich 03.05.2013	F. Schwanke 03.05.2013
5.7/E	FTX+MKS, the specification of the position/item no. becomes mandatory, FTX+CUS, the type of MRN assignment has to be specified, For cancellation at exit and forwarding: addition of FTX+CCI and LOC+22 The term “direct transshipment” (direct delivery) has been changed to “outboard loading”, because it left room for misunderstandings	J. Dietrich 21.02.2014	F. Schwanke 21.02.2014
5.7.1/E	Revision of SG7/RFF, ATB no. in case of declaration type “DUX”, addition of chapter 8.2 (example for presentation notification in case of declaration type DUX)	J. Dietrich 22.12.2014	F. Schwanke 22.12.2014
5.7.2/E	- Addition of comments concerning the declaration type “UMS” in the introduction - Revision of table 7.1 (in particular the fields gross and net weight) and information concerning the declaration type UMS (comment 20) and SAC (comment 21) in 7.2	J. Dietrich 13.01.2015	S. Lembke 13.01.2015
5.7.3/E	Addition of code “AUS” in SG6/SG7/GIS, field 7187	J. Dietrich 02.11.2015	S. Lembke 02.11.2015
5.9.0/E	Revision of declaration type DUX (ZAPP Circular No. 35) • DUX without MRN (additional mandatory fields)	J. Dietrich 15.11.2016	S. Elze/ F. Schwanke 15.11.2016
5.9.0/E	Changes in SG6/RFF: Declaration type DUX edited (ZAPP Circular 36): Time of release (DUX with MRN) is a mandatory field SG10/RFF: Specification of the booking no. required in case of LCL consignments	J. Dietrich 31.07.2017	S. Lembke 31.07.2017
5.9.0/E	Removal of HANU checks: 9. Appendix, A, chapter 1.1, 2.2, 3.3.3 Removal of declaration type AEM	J. Dietrich 20.10.2020	K. Stanislaus 20.10.2020

Version	Reason, concerned section	Changed by/ date	Checked by/ date
5.10.0/E	Addition of Local Reference Number (LRN) for one-step AES-procedure according to ATLAS AES version 3.0 - SG7/RFF, MRN of export declaration/MRN of export summary declaration / ATB number - SG10/NAD, Declarant - SG10/NAD, Consignor - SG13/FTX, Position number/Pack-ID to number of export declaration (MRN/LRN)	J. Dietrich 30.01.2023	K. Stanislaus 30.01.2023

Change requests

DAKOSY

Datenkommunikationssystem AG

Mattentwiete 2

20457 Hamburg

1. Phone: + 49 40 37003 - 0
2. Email: info@dakosy.de

Used tools

Number	Used tools
W1	This document was produced with the word processing programme MS Word 2016 .

Liability

1. Please note that no liability claims can be derived towards DAKOSY AG for the content of this manual, despite careful developing and examination of this document!

Table of contents

1. Introduction	6
1.2 Introduction to version 5.2	6
2. Conception and usage of this manual.....	8
3. DAKOSY-Frame while sending and receiving data	9
3.1 The initialisation record.....	10
3.2 The sign-on-record	11
3.3 The completion record	12
3.4 The receipt record	13
3.5 The reference confirmation record.....	14
3.6 The reference confirmation record with B-number	15
4. Service segments	17
4.1 Formatting rules for data transmission.....	17
4.2 Explanations to the message structure	18
4.3 Field content of the segments	20
4.4 Implementation / Guideline Information	21
5. Branching Diagram	22
6. Segment Structure.....	27
7. List of data fields and corresponding validations	72
7.1 Table of data fields	72
7.2 Explanations to the table of data fields.....	73
8. Examples	75
8.1 Examples of a presentation notification for the car shipment.....	75
8.2 Examples for presentation notification with declaration type DUX.....	77
9. Appendix	79
A Validation of container numbers.....	79
B Structure and checking of the Movement Reference Number (MRN)	83

1. Introduction

This manual is created in addition to the manual DAKOSY message GM 01 „presentation notification ATL@S AES“.

For all export declarations to be processed to the central ATL@S system (automated tariff- and local customs clearing system) - AES (automated export-system) of the federal German administration of finances. This case of presentation notification has to be handled with declaration type „AES“.

General restrictions haven't changed; it's still essential that only one declaration (MRN) per GM01-presentation notification ATL@S AES can be sent to ZAPP. The declarant receives a ZAPP-reference (ZAPP-number) for the declaration of this new declaration type, the structure corresponds to the „old“ B-number, the only difference being „Z“ in the first place.

For the manual about the transmission of the DAKOSY message GM01 „presentation notification “ including customs data (i.e. for all declarations cases unequal „AES“) see www.dakosy.de/support/documents/hb_zapp_gm01_Gestellungsmitteilung

1.2 Introduction to version 5.2

With the mandatory introduction of the exit summary declaration as of 1.1.2011, the inclusion of a declaration type in ZAPP which refers to the entry summary declaration becomes necessary. The declaration type DUX has been set up for this purpose, with whom the presenter can specify the MRN of the exit summary declaration previously generated in the customs application. The declaration can be created by using the ZAPP application.

The data acquisition for the declaration type DUX basically corresponds with declaration type AES. Thus it is part of this manual. Presentations with declaration type DUX receive an S number, which receives the status NRL and RLS (also a loading stop) similar to the Z number, but will not be completed.

An exit summary declaration always must be delivered if the goods are being placed of the EU customs territory and no customs declaration with security related data is available. The obligation to deliver the exit summary declaration applies to the following cases:

- Re-export of goods of free zones and the temporary storage (provided the goods are stored at the customs office of exit) if the reload takes more than 14 days. The optional delivery before exceeding the time-limit is also permitted.
- Carriage within the EU via a customs territory outside the EU (except carriages via Norway or Switzerland).

The exit summary declaration must always be delivered by the transporter, meaning the person placing the goods of the EU customs territory or is in charge of this operation; generally the shipping company or forwarding agency or the person acting as their agent.

The exit summary declaration must be delivered at the last customs office before the exit of goods of the EU customs territory. Following time limits apply for the delivery:

- Container cargo: 24 hours before the loading of the vessel with which the goods are leaving EU customs territory;

- Bulk- and general cargo: 4 hours before leaving the first port in EU customs territory;

An exit summary declaration is not required in the following cases:

- in the goods traffic with Switzerland and Norway with destination in this countries;
- in case of the re-export of goods of the temporary storage or a free zone of control type I, if the transshipping takes place within 14 calendar days and information about the goods are available at customs office and the specifications about the place of destination and the consignee have not changed (in this case a re-export notification is being required in the form prescribed by the customs office);
- in the line operation between EU ports – without stopover outside the EU customs territory;
- for goods that will not be discharged from the vessel in an EU port;
- for goods that have been loaded in a prior EU port and remaining on board of the means of transport taking the goods out of customs territory;
- if documents and certificates are available at the customs office of export satisfactorily attesting that the goods have already been object of a customs declaration with the appendix 30A data

For more detailed information and process description please refer to the customs homepage at <http://www.zoll.de> (under ATLAS > [summarische Eingangs- und Ausfuhranmeldungen](#)).

2. Conception and usage of this manual

This manual describes the usage of segments, resp. data elements in the EDIFACT-message CUSCAR (Customs export declaration message), particular attention is paid to the requirements for the presentation notification ATL@S AES resp. ZAPP-AES.

For the actual structure of the EDIFACT-subset CUSCAR, it is referred to the description „The Electronic Export Declaration“ (Final Draft, 1997), passed by DIN, enclosed in C as part of this manual.

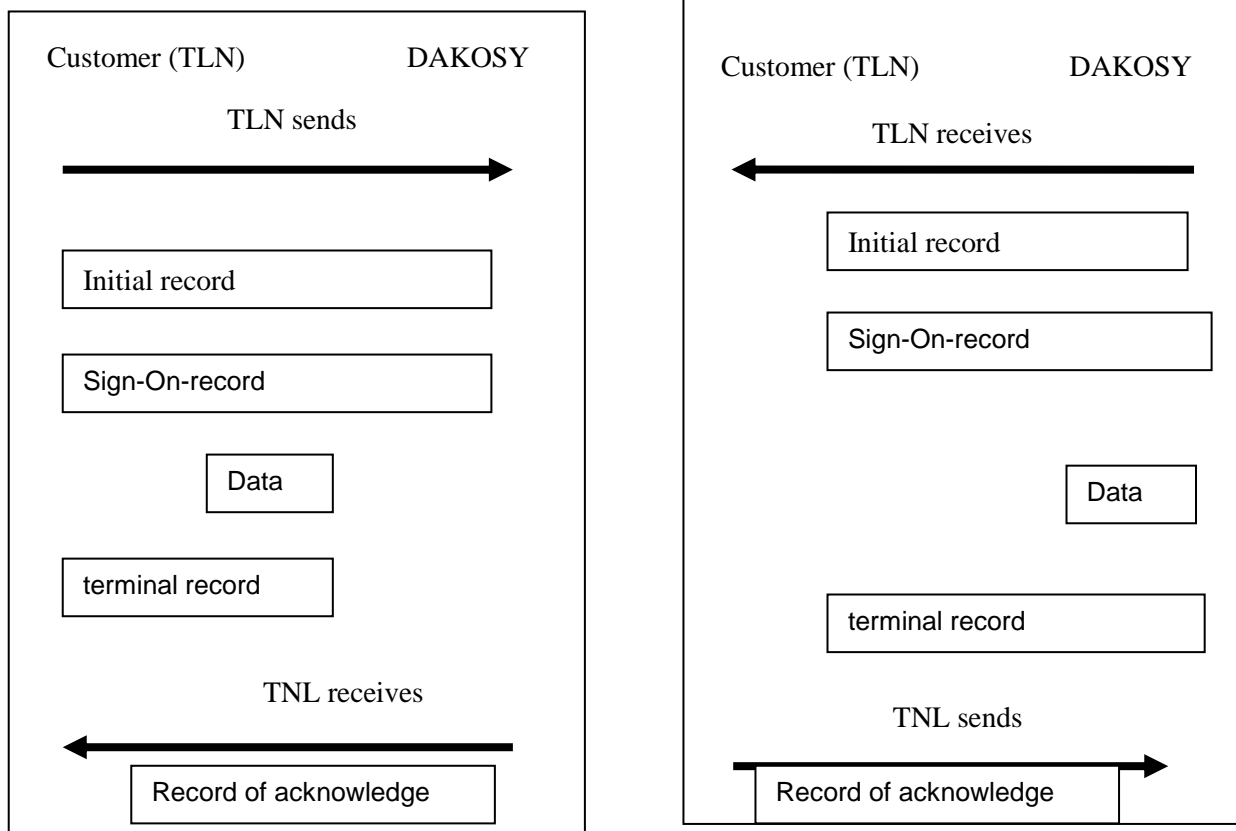
For implementation of the presentation notification GM01, it's recommended to create at first the fundamental structure of the EDIFACT-message following the description in encl. B and add ZAPP AES-specific amendments (described in this manual) afterwards.

3. DAKOSY-Frame while sending and receiving data

The actual EDIFACT-message resp. presentation notification must additionally be „packed“ with what is known as DAKOSY-frame.

This is mandatory in order that the presentation notification can be processed in the DAKOSY-system.

Individual records of the DAKOSY-frames will be explained in the following.



3.1 The initialisation record

A transmission sequence (session) does always start with an initialisation record, which signifies the sign-in for the communication with DAKOSY. The participant must send the 80-digit record set with the constant „DAKO“ at position 1 to 4.

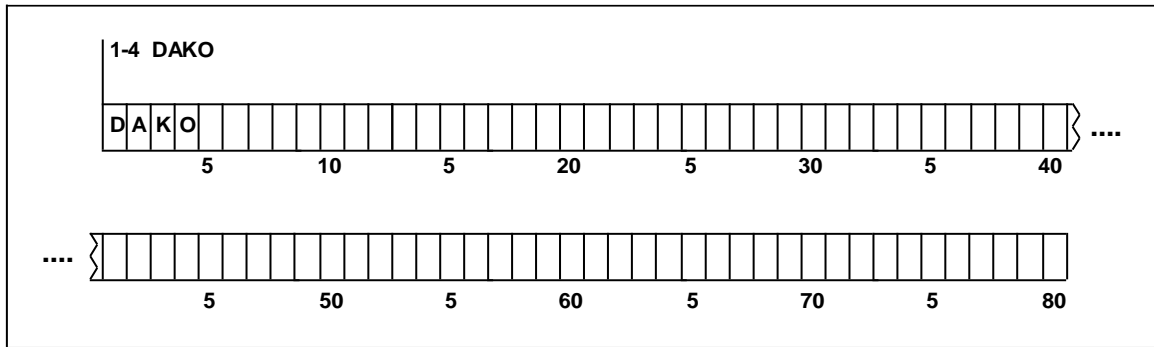


Fig. 1

- Digit 01 - 04 DAKO
- Digit 05 - 80 blank / space (hex. 40)

3.2 The sign-on-record

The SIGN-ON-record is always the second 80-digit record set in a transmission sequence (session). It contains specifications about the required transaction type (GM01), the direction of traffic (sending or receiving) and the participant identification. Please look at the DAKOSY-code key to get the meaning of individual keys.

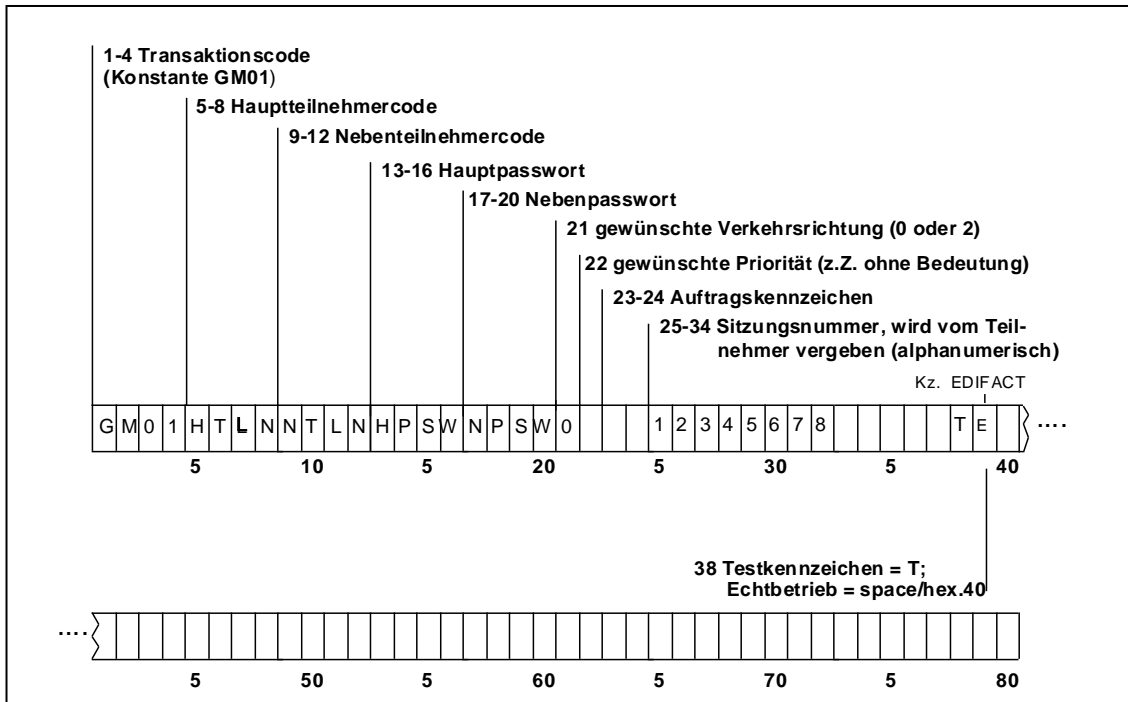


Fig. 2

- Digit 01 – 04 Transaction code (constant GM01)
- Digit 05 - 20 Participant identification
- Digit 05 - 08 Main participant- Code
- Digit 09 - 12 Sub participant- Code
- Digit 13 - 16 Main keyword
- Digit 17 - 20 Sub keyword
- Digit 21 - 21 required traffic direction (0 or 2)
- Digit 22 - 22 required priority (irrelevant at present)
- Digit 23 - 24 Code of order
- Digit 25 - 34 Session no., assigned by participant (alphanumeric)
- Digit 35 - 37 free
- Digit 38 - 38 Test code (Test. = T, real operation= space / hex. 40)
- Digit 39 - 39 Ind. EDIFACT = „E“
- Digit 40 - 80 free

3.3 The completion record

When a Sign-on record has been sent, the transmission sequence has to be completed with a completion record, which causes a logical interruption of the connection.

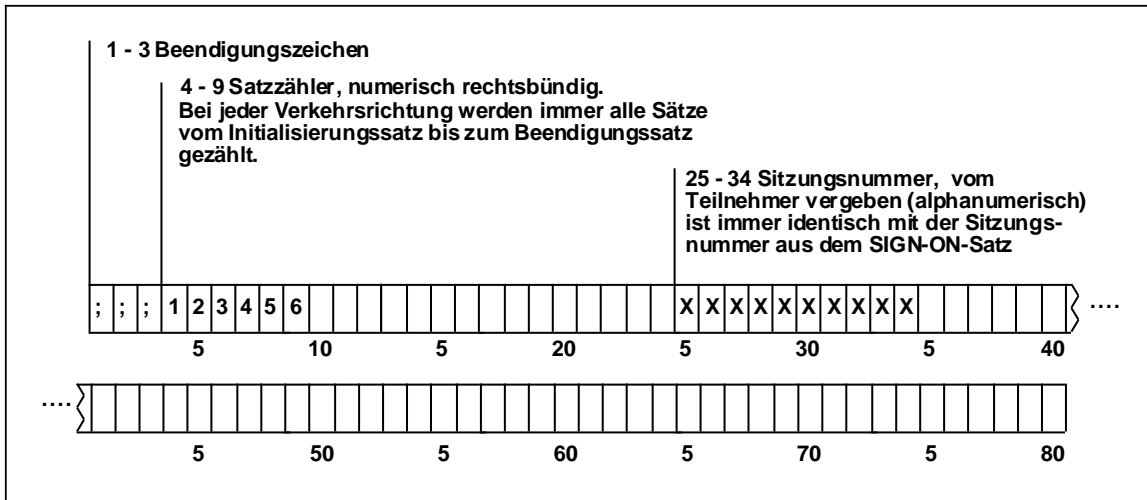


Abbildung 3

- Digit 01 - 03 Constant ;;;
- Digit 04 - 09 Record counter, numeric right-aligned as number of transferred 80-digit records. All records (from initialisation- to the completion record) are counted.
- Digit 10 - 24 Blank space
- Digit 25 - 34 Session no., assigned by participant.
The session no. (when sending or receiving data) is always identical with the session no. of the sign-on-record.

It must be guaranteed, that (in the whole transmission sequence) the completion constant „;;;“ in the record set in place 1 to 3 solely appears in the completion record.

3.4 The receipt record

A sending sequence will always be acknowledged by the respective participant with the receipt record. The receipt record without receipt code (initial state: "blank/Space" (hex 40)) will acknowledge the proper takeover of data, or the storage in the receiving system to the sending participant. The receipt code will be sent, if an error has been recognized during transaction (e.g. error code 001 = initialisation record incorrect or not sent). It contains:

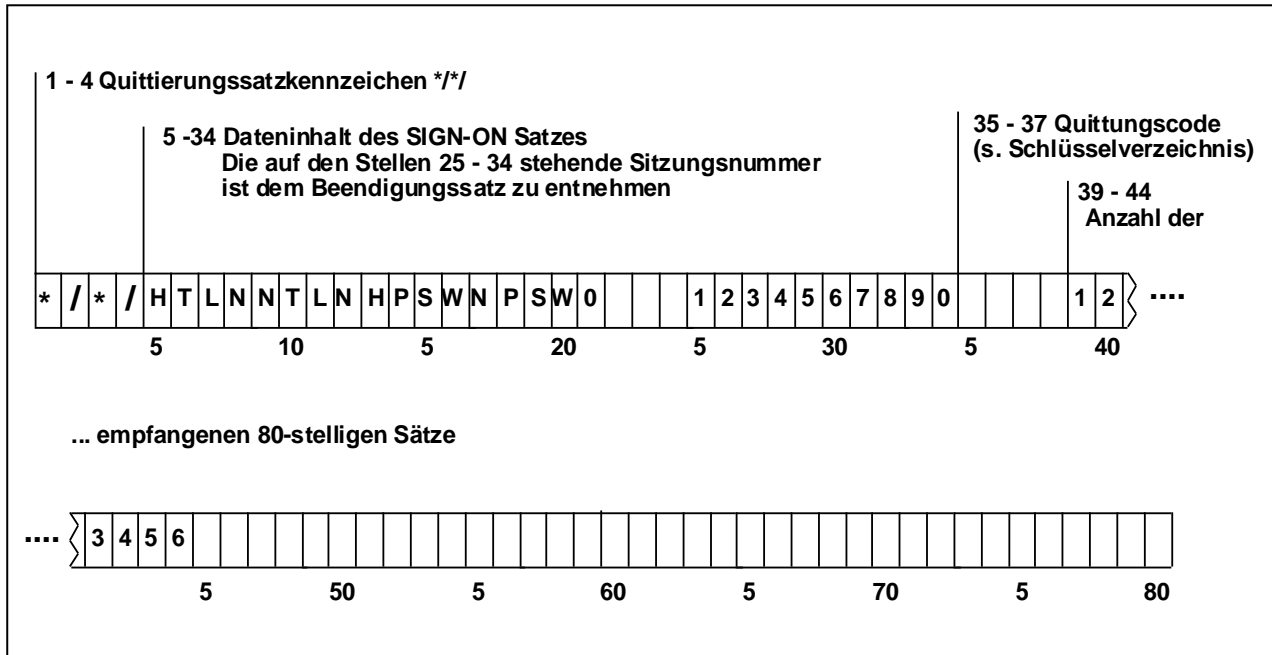


Fig. 4

- Digit 01 - 04 Indicator receipt record */*/
- Digit 05 - 34 Data content of SIGN-ON-record.
The session number stated on positions 25-34 must be taken from the completion record.
- Digit 35 - 37 Receipt code (see code key)
- Digit 38 - 38 Test indicator
(Test mode = T, real operation = Space/blank hex. 40)
- Digit 39 - 44 Number of corporal received 80-digit records

During recalling the DAKOSY data the participant immediately obtains a receipt record with the corresponding receipt code, in lieu of data, if DAKOSY already noticed an error in the initialisation or sign-on record (e. g.: wrong keyword or wrong traffic direction).

3.6 The reference confirmation record with B-number

(Transmission confirmation with B-number)

This sending confirmation with B-number is provided by DAKOSY for the sender of the HDS during the transaction DY01 (HDS). It serves to confirm the correct communication with ZAPP and to transfer B numbers. This reference confirmation record will be provided to recall by the sender immediately after the correct incoming of a HDS at DAKOSY/ZAPP.

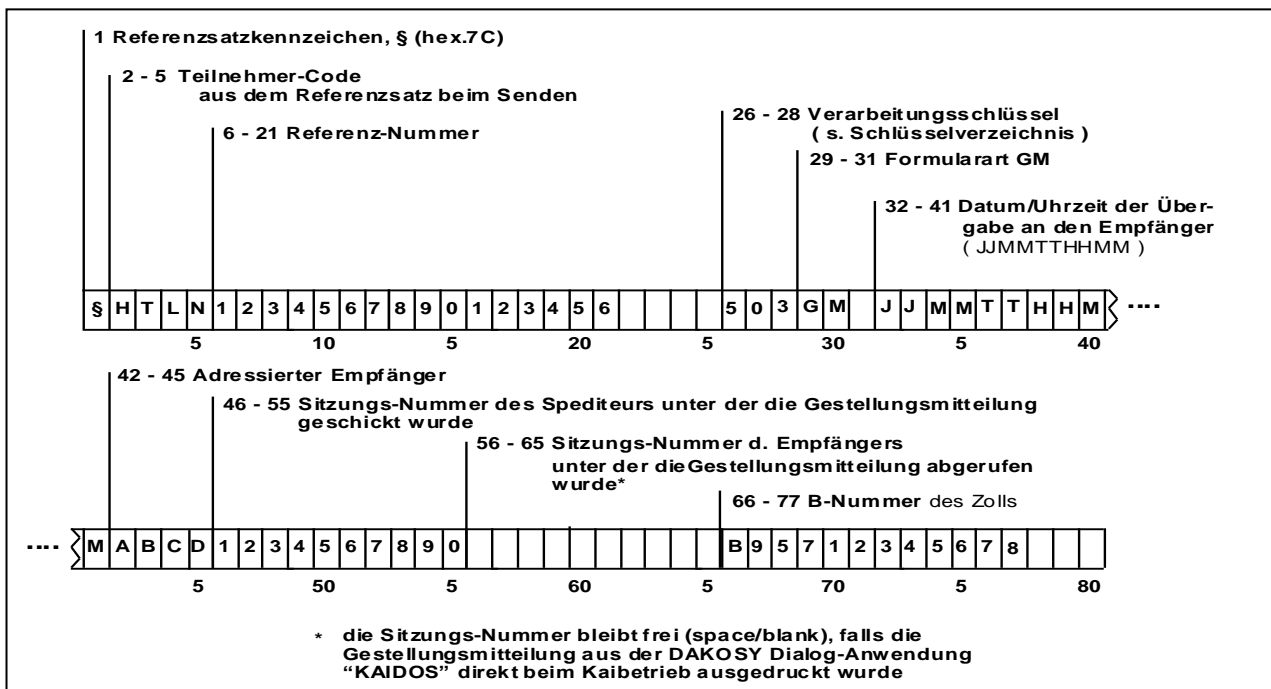


Fig. 6

- Digit 01 Reference record code (§ = hex. 7C)
- Digit 02 - 05 Participant code from the reference record from the transmission
- Digit 06 - 21 Reference number
- Digit 22 - 25 not used
- Digit 26 - 28 Processing key (here 503)
- Digit 29 - 31 Type of form GM
- Digit 32 - 41 Date/time of the delivery to the receiver (JJMMTT/HHMM)
- Digit 42 - 45 Addressed receiver (here ZAPP)
- Digit 46 - 55 Session number of the forwarder, under which the presentation notification has been sent
- Digit 56 - 65 Session number of ZAPP, under which the presentation notification has been recalled

Continuation

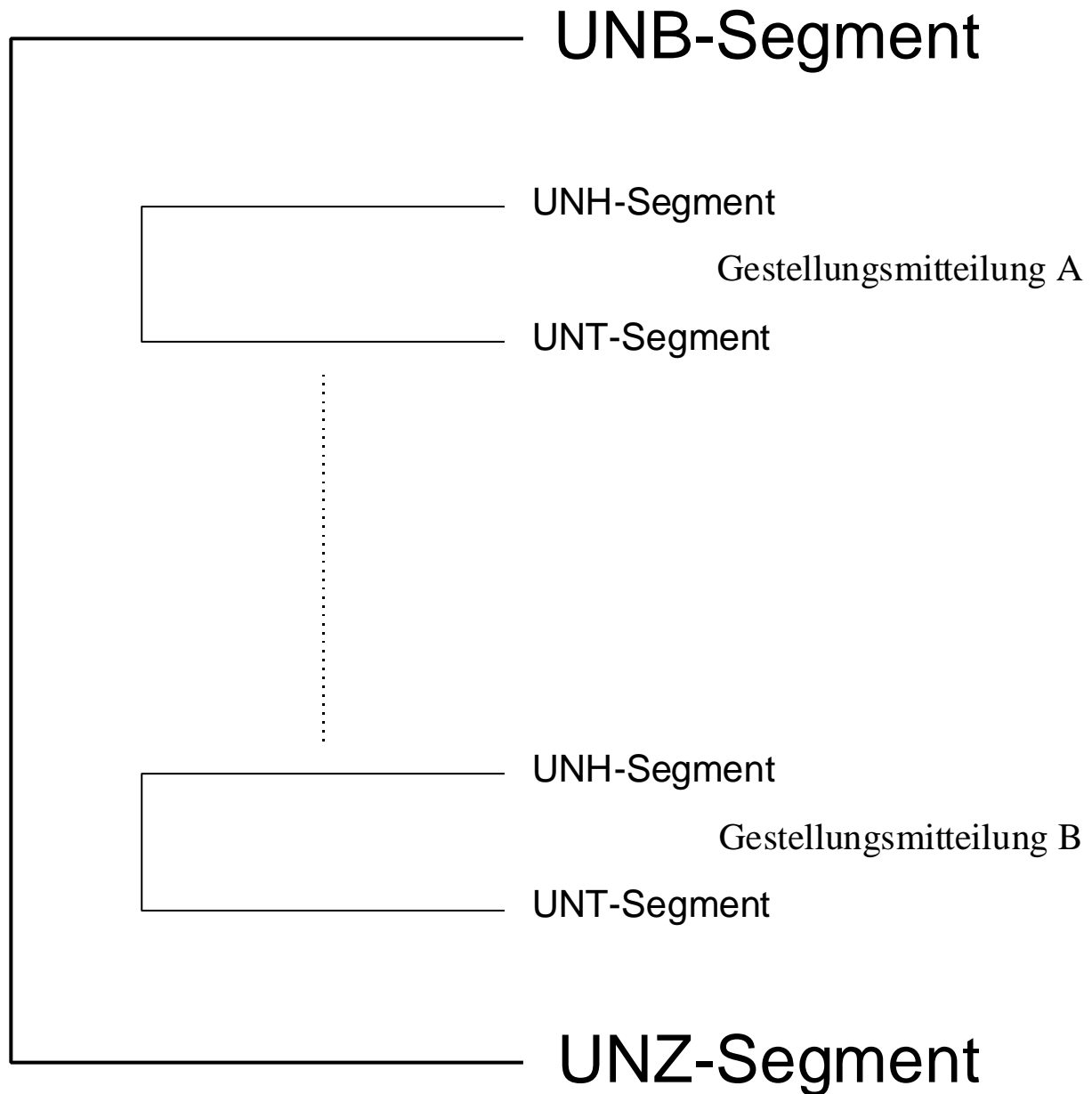
-Digit 66 - 77

ZAPP reference (here Z-number), under which the presentation notification has been registered at ZAPP. This reference will also be transferred to the addressed terminal and the addressed line agent/ ship owner.

4. Service segments

4.1 Formatting rules for data transmission

Structure of interchange:



The interchange is limited by the segments UNB and UNZ.

4.2 Explanations to the message structure

The following schedule only contains used segment.

Counter	No	Tag	St	MaxOcc	Level	Content
0000	1	UNA	C	1	0	SERVICE STRING ADVICE
0000	2	UNB	R	1	0	INTERCHANGE HEADER
0010	3	UNH	R	1	0	MESSAGE HEADER
0020	4	BGM	R	1	0	Beginning of message
0030	5	DTM	R	1	1	Date of transmission
0040	6	RFF	D	1	1	Z-number
0040	7	RFF	D	2	1	EORI/Branch number
0040	8	RFF	D	7	1	Shortage in quantity total position of a MRN
0050		SG1	R	1	1	NAD
0060	9	NAD	R	1	1	Name and address ZAPP-participant (sender of data)
0100	10	FTX	R	1	1	Level of MRN assignment
0100	11	FTX	C	1	1	Additional actions during the cancellation of a Z-number
0110		SG3	R	1	1	TDT-LOC-DTM
0120	12	TDT	R	1	1	Voyage no. (agent), DAKOSY-voyage no., call sign (vessel), vessel name.
0130	13	LOC	R	1	2	DAKOSY terminal code
0140	14	DTM	D	1	2	Vessel date of departure
0150	15	GIS	O	1	1	Indicator outboard loading
0280		SG6	R	1	1	CNI-SG7
0290	16	CNI	R	1	1	Consignment information
0310		SG7	R	1	2	RFF-LOC-LOC-LOC-GIS-SG8-SG10-SG10-SG10-SG10-SG13
0320	17	RFF	R	2	2	MRN of export declaration/ MRN of exit summary declaration / ATB-number
0350	18	LOC	D	1	3	Country of origin
0350	19	LOC	D	1	3	Place/location identification
0350	20	LOC	D	1	3	New customs office of exit
0360	21	GIS	R	1	3	General indicator
0390		SG8	R	1	3	TDT-LOC
0400	22	TDT	R	1	3	Voyage no. (agent), call sign (vessel), name of the vessel
0410	23	LOC	R	1	4	Port of discharge code and port of discharge
0470		SG10	R	3	3	NAD-RFF-SG11
0480	24	NAD	R	1	3	Carrier/ line agent
0500	25	RFF	R	1	4	Reference of the presenter/forwarder
0510		SG11	R	1	4	CTA-COM
0520	26	CTA	R	1	4	Official in charge
0530	27	COM	D	3	5	Communication contact
0470		SG10	D	1	3	NAD
0480	28	NAD	D	1	3	Declarant
0470		SG10	D	1	3	NAD
0480	29	NAD	D	1	3	Consignor
0470		SG10	D	1	3	NAD

Counter	No	Tag	St	MaxOcc	Level	Content
0480	30	NAD	D	1	3	Consignee
0570		SG13	R	999	3	GID-FTX-FTX-FTX-FTX-FTX-MEA-SGP-PCI-CST
0580	31	GID	R	1	3	Number and type of packages, code and type of packages (long)
0610	32	FTX	R	99	4	Goods description
0610	33	FTX	R	99	4	Position numbers/ package-ID's to the number of the export declaration (MRN)
0610	34	FTX	C	99	4	special explanatory note
0610	35	FTX	D	99	4	SACO - Z-number/B-numbers of single consignments
0610	36	FTX	D	99	4	SACO - Z-number/B-numbers (only receiving party)
0610	37	FTX	D	99	4	Chassis number
0620	38	MEA	D	2	4	Net weight/gross weight
0640	39	SGP	D	1	4	Equipment allocation of goods
0660	40	PCI	D	1	4	Package identification
0670	41	CST	D	1	4	Customs status of goods
0780	42	UNT	M	1	0	MESSAGE TRAILER
0000	43	UNZ	M	1	0	INTERCHANGE TRAILER

4.3 Field content of the segments

No	Data field	Format	Segment and data element		
01	Additional actions during the cancellation of a Z-number		11	FTX	
02	Carrier/ line agent		24	NAD	
03	Chassis number		37	FTX	
04	Consignee		30	NAD	
05	Consignor		29	NAD	
06	Country of origin		18	LOC	
07	DAKOSY terminal code		13	LOC	
08	Date of transmission		05	DTM	
09	Declarant		28	NAD	
10	EORI/Branch number		07	RFF	
11	Equipment allocation of goods		39	SGP	
12	General indicator		21	GIS	
13	Goods description		32	FTX	
14	Indicator outboard loading		15	GIS	
15	Level of MRN assignment		10	FTX	
16	MRN	an18	08	RFF	C506 1154
17	MRN of export declaration/ MRN of exit summary declaration / ATB-number		17	RFF	
18	Name and address ZAPP-participant (sender of data)		09	NAD	
19	Net weight/gross weight		38	MEA	
20	New customs office of exit		20	LOC	
21	Number and type of packages, code and type of packages (long)		31	GID	
22	Official in charge		26	CTA	
23	Package identification		40	PCI	
24	Package-ID	n2	33	FTX	C108 4440
25	Port of discharge code and port of discharge		23	LOC	
26	Position numbers/ package-ID's to the number of the export declaration (MRN)		33	FTX	
27	Reference of the presentor/forwarder		25	RFF	
28	SACO - Z-number/B-numbers (only receiving party)		36	FTX	
29	SACO - Z-number/B-numbers of single consignments		35	FTX	
30	Shortage in quantity total position of a MRN		08	RFF	
31	special explanatory note		34	FTX	
32	Vessel date of departure		14	DTM	
33	Voyage no. (agent), call sign (vessel), name of the vessel		22	TDT	
34	Voyage no. (agent), DAKOSY-voyage no., call sign (vessel), vessel name.		12	TDT	
35	Z-number		06	RFF	

4.4 Implementation / Guideline Information

The segments are being represented by a universal diagram.

Example:

0470	42	TDT	1	R	1	1	Schiffsname, Reisennummer-Reeder, Funkrufzeichen
		Standard	Implementation				
Bez	Name	St Format	St Format	Anwendung / Bemerkung			
TDT							
8051	Transportstrecke/-abschnitt, Qualifier	M an..3	R an..3	20 Hauptlauf			
8028	Beförderungsnummer	C an..17	O an..17	Hier kann die Reisennummer des Reeders angegeben werden.			
C220	Art des Transportes	C	O				
8067	Transportart, codiert	C an..3	O an..3	1 Maritime transport			
8066	Transportart	C an..17	O an..17				
C228	Transportmittel	C	O				
8179	Art des Transportmittels, Identifikation	C an..8	O an..8	11 Schiff 13 Seeschiff			
8178	Art des Transportmittels	C an..17	O an..17				
C040	Frachtführer	C	O				
3127	Frachtführer, Identifikation	C an..17	O an..17				
1131	Codeliste, Qualifier	C an..3	O an..3	172 Frachtführer-Code			

The first (main) column „EDIFACT“ with ist 3 sub-columns describes the structure of the used EDIFACT message. The identifier/number of the respective composit or data element is indicated in the first column, the corresponding meaning/name is indicated in the second column and the third column refers to the usage and format.

The second (main) column „application“ with its 3 sub-columns describes how to use the respective composites and data elements for the GPO.

The first column ST = Status means:

- M (Mandatory) or R (Required)**
 The M will be adopted in this column, if a composit or data element is already mandatory (**M = Mandatory**) in the actual EDIFACT message. In other cases the **R = Required** indicates a required field from the B/L applications' perspective.
- D (Depending)**
 The data units have to be transmitted, in case of certain conditions which either are described in the column "Usage/hints" or derive from the use case. Segment group 32 (Indication of dangerous goods) e.g. carries the status „D“, since the use depends on whether the position/item involves dangerous goods or not.
- C (Conditional/Optional)**
 It is up to the message sender to transmit the data units. In case of doubt an individual regulation between sender and recipient has to be agreed.
- X/N (not used)**
 Such identified composites or data elements are not used.

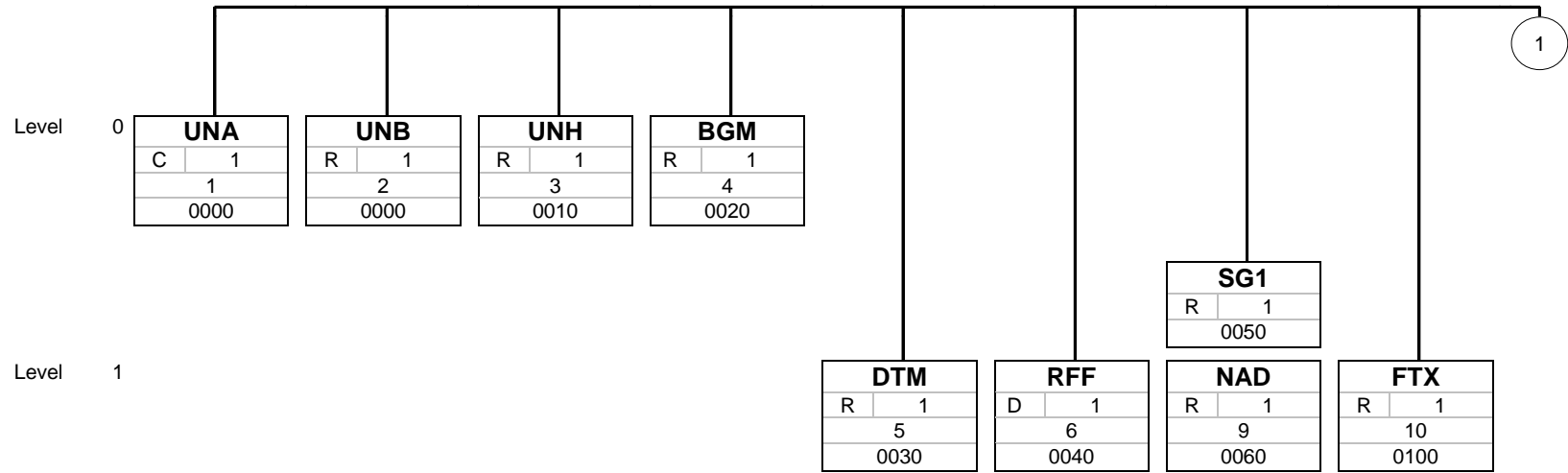
The second column indicates examples to respective data elements and the third column contains important specifications for the usage, such as codes, port-specific conditions or format restrictions.

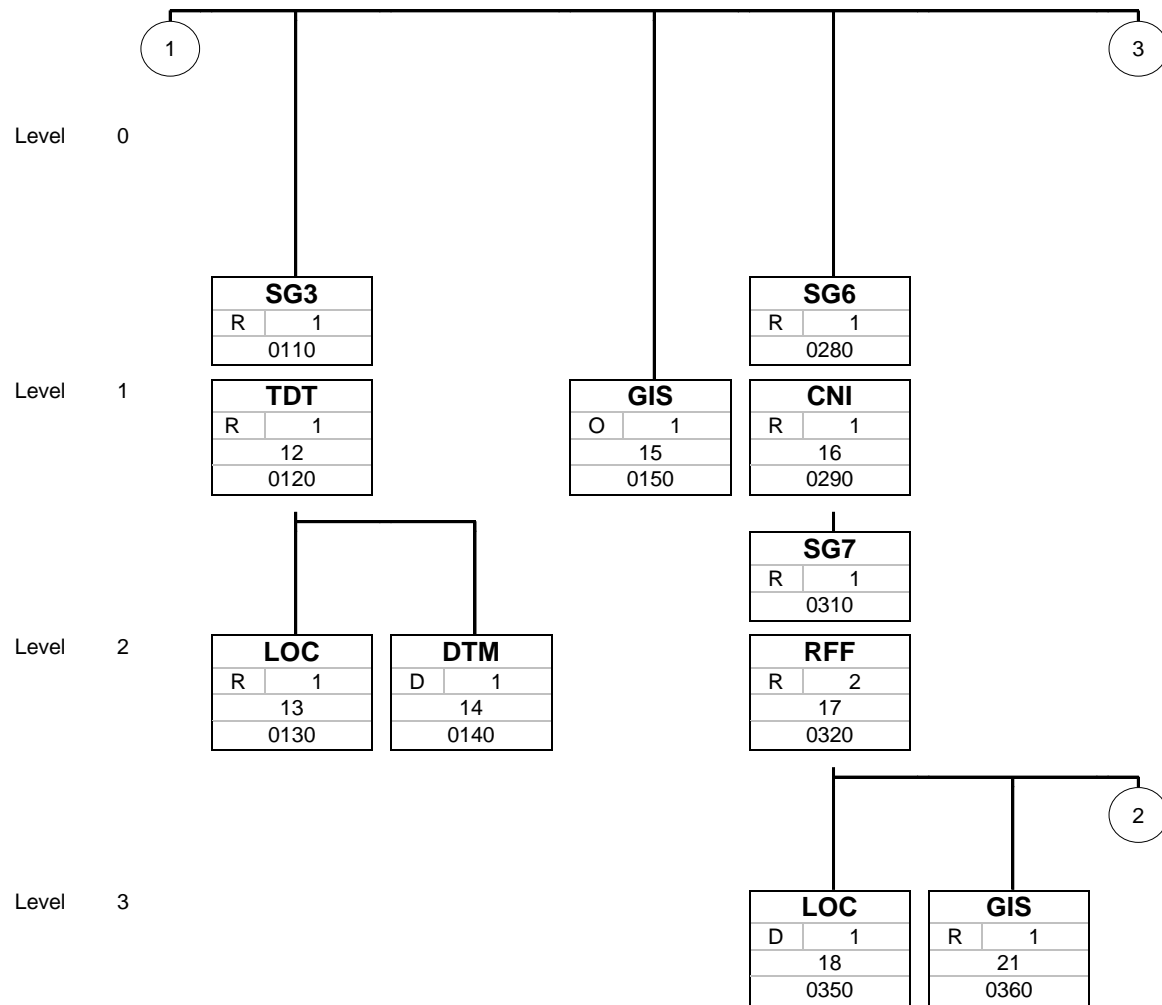
5. Branching Diagram

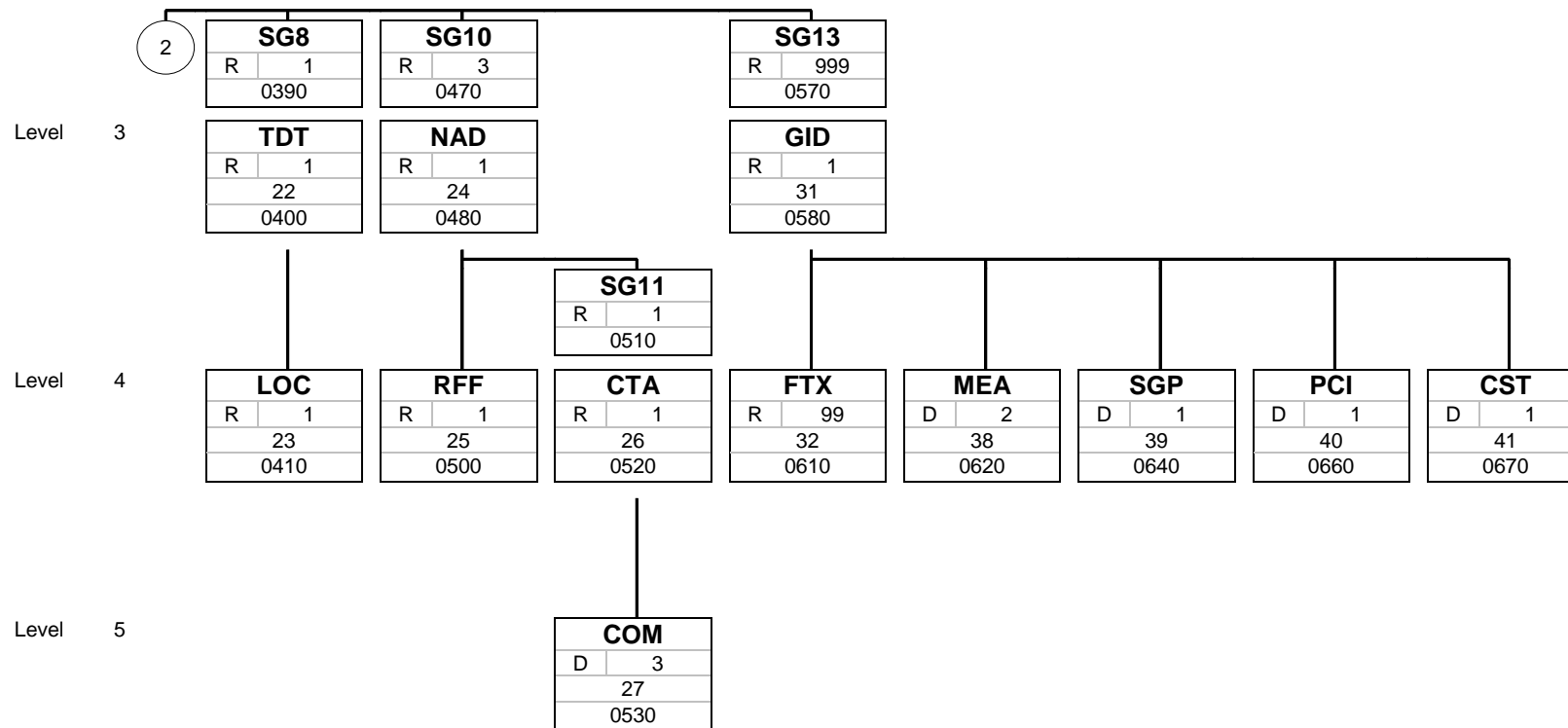
DAKOSY

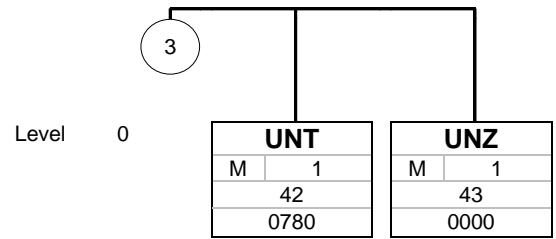
Datenkommunikationssystem AG

Presentation notification GM01 AES









6. Segment Structure

Counter	No	Tag	Var	St	MaxOcc	Level	Name
0000	1	UNA	1	C	1	0	SERVICE STRING ADVICE

Standard			Implementation		
Tag	Name	St Format	St Format	Usage / Remark	
UNA					
UNA1	Component data element separator	M an1	M an1	Separates data elements in a group	
UNA2	Data element separator	M an1	M an1	Separates data elements; segment identifier	
UNA3	Decimal notation	M an1	M an1	Decimal point; to come up to standard you can use both point and comma as decimal point. Decimal points must not be used compositely.	
UNA4	Release indicator	M an1	M an1	Enabling signal; restores the primary meaning of the character that follows the interrogation mark.	
UNA5	Reserved for future use	M an1	M an1	Blank/space; reserved for subsequent use	
UNA6	Segment terminator	M an1	M an1	Segment-final character (apostrophe), Hex-value 7 D	

Remark:

Example:

UNA: + . ? ' '

Counter	No	Tag	Var	St	MaxOcc	Level	Name
0000	2	UNB	1	R	1	0	INTERCHANGE HEADER

Standard			Implementation	
Tag	Name	St Format	St Format	Usage / Remark
UNB				
S001	SYNTAX IDENTIFIER	M	M	
0001	Syntax identifier	M a4	R a4	UNOA UN/ECE Zeichensatz A = Großbuchstaben UNOB UN/ECE Zeichensatz B = Groß- u. Kleinbuchstaben UNOA = UN/ECE character set A = capitals UNOB = UN/ECE character set B = caps and lower case letters
0002	Syntax version number	M n1	M n1	1 Alte version 2 Neue version 1 = old version 2 = new version
S002	INTERCHANGE SENDER	M	R	
0004	Sender identification	M an..35	R an..35	
0007	Partner identification code qualifier	C an..4	O an..4	
0008	Address for reverse routing	C an..14	N	Address for reverse routing Not used
S003	INTERCHANGE RECIPIENT	M	R	
0010	Recipient identification	M an..35	R an..35	
0007	Partner identification code qualifier	C an..4	O an..4	
0014	Routing address	C an..14	N	Not used
S004	DATE/TIME OF PREPARATION	M	R	
0017	Date of preparation	M n6	R n6	Format YYMMDD
0019	Time of preparation	M n4	R n4	Format HHMM
0020	Interchange control reference	M an..14	R an..14	Please choose a unique, ascending number as reference!
S005	RECIPIENT'S REFERENCE PASSWORD	C	D	
0022	Recipient's reference/password	M an..14	R an..14	Reference or keyword of the receiver
0025	Recipient's reference/password qualifier	C an2	N	Not used
0026	Application reference	C an..14	N	Not used
0029	Processing priority code	C a1	N	Not used
0031	Acknowledgement request	C n1	N	Not used
0032	Communications agreement ID	C an..35	N	Not used
0035	Test indicator	C n1	D n1	1 Dieser Datenaustausch ist ein Test 1 = This data exchange is a test Element must not be sent with live data!

Remark:**Example:**

UNB+UNOA:1+DAKT+ZAPP+140421:1513+0404211513+++++1'

Counter	No	Tag	Var	St	MaxOcc	Level	Name
0010	3	UNH	1	R	1	0	MESSAGE HEADER

Standard			Implementation	
Tag	Name	St Format	St Format	Usage / Remark
UNH				
0062	Message reference number	M an..14	R an..14	
S009	MESSAGE IDENTIFIER	M	R	
0065	Message type identifier	M an..6	R an..6	CUSCAR Zoll-Gestellungsmitteilung CUSCAR = Customs presentation notification
0052	Message type version number	M an..3	R an..3	D Versionsnummer
0054	Message type release number	M an..3	R an..3	96A Release Nummer
0051	Controlling agency	M an..2	R an..2	UN UN/ECE/TRADE/WP.4, United Nations Standard Messages (UNSM)
0057	Association assigned code	C an..6	R an..6	DEGM01 Application Code

Remark:

Example:

UNH+04042115130001+CUSCAR:D:96A:UN:DEGM01'

Counter	No	Tag	Var	St	MaxOcc	Level	Name
0020	4	BGM	1	R	1	0	Beginning of message

		Standard	Implementation	
Tag	Name	St Format	St Format	Usage / Remark
BGM				
C002	Document/message name	C	R	
1001	Document/message name, coded	C an..3	R an..3	335 Buchungsanforderung für Transportraum 335 = Booking request for transport capacity
1131	Code list qualifier	C an..3	N	Not used
3055	Code list responsible agency, coded	C an..3	N	Not used
1000	Document/message name	C an..35	D an..35	Version of GM01 GM01V0 Version 03 3
1004	Document/message number	C an..35	R an..35	UNIQUE
1225	Message function, coded	C an..3	R an..3	9 Original 1 Aufhebung/Stornierung

Remark:

9 = original: the complete presentation notification, resp. CUSCAR, that shall be deleted, must be sent again. Thereby the reference of the segment 40 RFF has to be known at DAKOSY. Cancellation not possible when the ZAPP reference is stopped or included in a SACO.

1 = cancellation: the reference, sent in segment 40 RFF, for the forwarder, specified in the NAD, must not be allocated to a ZAPP-reference when creating a file and may not be used again after cancellation.

For the description of the conditions and consequences of a cancellation concerning to the AES-process, please refer to http://www.zapp-hamburg.de/pdf/grobkonzept_ZAPP-AES_v1.3.2_20060516.pdf

Example:

BGM+335:::GM01V03++9'

Counter	No	Tag	Var	St	MaxOcc	Level	Name
0030	5	DTM	1	R	1	1	Date of transmission

Standard			Implementation	
Tag	Name	St Format	St Format	Usage / Remark
DTM				
C507	Date/time/period	M	R	
2005	Date/time/period qualifier	M an..3	R an..3	137 Dokumenten-/Nachrichtendatum/-zeit 137 = Document/ message date/ time
2380	Date/time/period	C an..35	R an..35	Date and time
2379	Date/time/period format qualifier	C an..3	R an..3	203 JJJJMMTTHMM

Remark:

Example:

DTM+137:201404211513:203'

DAKOSY

Datenkommunikationssystem AG

Presentation notification GM01 AES

Counter	No	Tag	Var	St	MaxOcc	Level	Name
0040	6	RFF	1	D	1	1	Z-number

Standard			Implementation	
Tag	Name	St Format	St Format	Usage / Remark
RFF				
C506	Reference	M	R	
1153	Reference qualifier	M an..3	R an..3	ABT Nummer der Zollanmeldung ABT = Number of customs declaration
1154	Reference number	C an..35	R an12	Z number
1156	Line number	C an..6	R an..4	RLS released NRL not released STOP gestoppt

Remark:

A presentation via HDS may be provided as copy for the carrier/agent in the EDIFACT-message CUSCAR.
The prior assigned Z-number is provided in the segment RFF. The Z or S number carries the status "not released", as long as the included MRN receives an export permission or an examination order --> "STOP".

Z-number (via GM01 or HDS) of the presenter (only relevant for presentations forwarded to the shipowner and carrier/agent;
NOT USED during the transmission of a presentation notification)

Example:

RFF+ABT:Z06101469929:NRL'

Counter	No	Tag	Var	St	MaxOcc	Level	Name
0040	7	RFF	2	D	2	1	EORI/Branch number

Standard			Implementation	
Tag	Name	St Format	St Format	Usage / Remark
RFF				
C506	Reference	M	M	
1153	Reference qualifier	M an..3	M an..3	ABP Identifikationsnummer des Zolls für einen Anmelder = TIN ABP = customs identification number/ reference for a declarant = TIN
1154	Reference number	C an..35	R an17	EORI (Economic Operators' Registration and Identification number) (e.g. ,DE1234567')
1156	Line number	C an..6	R n4	Branch (0000 - 9999)
4000	Reference version number	C an..35	R a1	Identifier EORI 'E'

Remark:

The presenter (e.g. forwarding agent) identifies oneself in the customs process with EORI and branch number. The EORI number (Economic Operators' Registration and Identification number - number for the registration and identification of economic operators) is a 3- to 17-digit alphanumeric identification number. The branch number is 4-digit numeric. '0000' must be transmitted, if the participant did not apply for branch number(s).

Mandatory in case of AES and DUX without MRN.

Example:

RFF+ABP:DE1234567:0000:E'

Counter	No	Tag	Var	St	MaxOcc	Level	Name
0040	8	RFF	3	D	7	1	Shortage in quantity total position of a MRN

Standard			Implementation	
Tag	Name	St Format	St Format	Usage / Remark
RFF				
C506	Reference	M	M	
1153	Reference qualifier	M an..3	M an..3	EP Nummer der Ausfuhrerklärung, MRN EP = number of export explication, MRN
1154	Reference number	C an..35	R an18	Number of export declaration, MRN; in case that a whole MRN won't be exported, it must be cancelled by the exporter (goods haven't arrived at port yet) or a GPO MRN cancellation (goods are already at the port) must be sent. MRN an18: n2; (year (00-99) a2; country ID ,DE' n4; office number ATLAS n8; serial number a1; technical procedure code ,E' (a1) n1; check digit (n1) Advice: the digits 3 –18 may varying in all european MRN, see annex B. MRN
1156	Line number	C an..6	C an..6	MRN position that won't be exported completely

Remark:

This segment is used to specify the position to the MRN completely omitted in case of a shortage. If the whole MRN won't be exported, it must be cancelled by the exporter (cargo wasn't delivered to a terminal yet) of the "GPO shortage in quantity message" cancellation at exit (Cargo already delivered to a terminal) has to be sent.

No shortage can be reported for a MRN of an exit summary declaration.

Example:

RFF+EP:07DE736100197947E0:001'

DAKOSY

Datenkommunikationssystem AG

Presentation notification GM01 AES

Counter	No	Tag	Var	St	MaxOcc	Level	Name
0050		SG1	1	R	1	1	NAD
0060	9	NAD	1	R	1	1	Name and address ZAPP-participant (sender of data)

		Standard	Implementation	
Tag	Name	St Format	St Format	Usage / Remark
NAD				
3035	Party qualifier	M an..3	R an..3	MS Dokumenten-/Nachrichtenaussteller bzw. -absender MS = Document-/message drawer or sender
C082	Party identification details	C	R	
3039	Party id. identification	M an..35	R an..35	DAKOSY-participant -code

Remark:**Example:**

NAD+MS+DAKT'

Counter	No	Tag	Var	St	MaxOcc	Level	Name
0100	10	FTX	1	R	1	1	Level of MRN assignment

		Standard	Implementation	
Tag	Name	St Format	St Format	Usage / Remark
FTX				
4451	Text subject qualifier	M an..3	M an..3	CUS Customs declaration information
4453	Text function, coded	C an..3	N	Not used
C107	Text reference	C	C	
4441	Free text, coded	M an..3	M an..3	LV Vorgangsebene LW Warenpositionsebene

Remark:

This segment is used to specify how the export MRN is assigned to the presentation notification in case of the declaration case AES.

Example:

FTX+CUS++LV'

Counter	No	Tag	Var	St	MaxOcc	Level	Name
0100	11	FTX	2	C	1	1	Additional actions during the cancellation of a Z-number

		Standard	Implementation	
Tag	Name	St Format	St Format	Usage / Remark
FTX				
4451	Text subject qualifier	M an..3	M an..3	CCI Customs clearance instructions
4453	Text function, coded	C an..3	N	Not used
C107	Text reference	C	C	
4441	Free text, coded	M an..3	M an..3	WL Weiterleitung an eine andere Ausgangszollstelle AB Abbruch am Ausgang WL = Forwarding to another customs office of exit AB = Cancellation at exit

Remark:

This segment provides the possibility to initiate the forwarding/cancellation at exit of a MRN simultaneously with the cancellation of the Z-number.

Example:

FTX+CCI++WL'

Counter	No	Tag	Var	St	MaxOcc	Level	Name
0110		SG3	1	R	1	1	TDT-LOC-DTM
0120	12	TDT	1	R	1	1	Voyage no. (agent), DAKOSY-voyage no., call sign (vessel), vessel name.

		Standard	Implementation	
Tag	Name	St Format	St Format	Usage / Remark
TDT				
8051	Transport stage qualifier	M an..3	R an..3	20 Hauptlauf 20 = Main carriage
8028	Conveyance reference number	C an..17	C an..8	Voyage no agent
C220	Mode of transport	C	N	
8067	Mode of transport, coded	C an..3	N	Not used
C228	Transport means	C	N	
8179	Type of means of transport identification	C an..8	N	Not used
C040	Carrier	C	D	
3127	Carrier identification	C an..17	D an7	DAKOSY-voyage no. - see A
8101	Transit direction, coded	C an..3	N	Not used
C401	Excess transportation information	C	N	
8457	Excess transportation reason, coded	M an..3	N	Not used
C222	Transport identification	C	D	
8213	Id. of means of transport identification	C an..9	D an..7	Call sign (vessel) - see A
1131	Code list qualifier	C an..3	D an..3	103 Verzeichnis der Rufzeichen 103 = Index of call signs - see A
3055	Code list responsible agency, coded	C an..3	N	Not used
8212	Id. of the means of transport	C an..35	D an..35	Vessel name - see A

Remark:

Following alternatives are available for the identification of the vessel:

Alternative A: Specification of the DAKOSY-voyage no. (TDT, C040, DE 3127). (Further particulars aren't required, because all information of the central DAKOSY-vessel schedule file will be added automatically)

Alternative B: Specification of the call sign (TDT, C222, DE 8213), departure no. (segment 11 DTM, DE 2380) and agent's codes (segment 38 NAD, qualifier BA, DE 3039). (An adjustment with the vessel departure file will be made and specifications will be added if applicable)

Alternative C: Specification of the vessel name (TDT, C222, DE 8212), date of departure (segment 11 DTM, DE 2380) and agent's codes (segment 38 NAD, Qualifier BA, DE 3039). (An adjustment with the DAKOSY vessel schedule database will be made and specifications will be added if available)

Alternative D: Specification of the DAKOSY voyage no. "XXX9999" (TDT, C040, DE 3127), vessel name(C222, DE8212), estimated date of departure (Segment 11 DTM, DE 2380) and agent's codes (Segment 38 NAD, Qualifier BA, DE3039). The voyage no. "XXX9999" shall only be used, if the exact spelling of the vessel name or the exact date of departure are unknown. (An adjustment with the DAKOSY vessel schedule database will be made and specifications will be added if available).

Validations: Different details between vessel identification from GM01 and DAKOSY vessel schedule database will cause an error - except alternative D.

Example:

TDT+20++++SAC9058++++::LEVERKUSEN EXPRESS'

Counter	No	Tag	Var	St	MaxOcc	Level	Name
0110		SG3	1	R	1	1	TDT-LOC-DTM
0130	13	LOC	1	R	1	2	DAKOSY terminal code

Standard			Implementation	
Tag	Name	St Format	St Format	Usage / Remark
LOC				
3227	Place/location qualifier	M an..3	R an..3	9 Ladeort/Ladehafen 189 Bei UMF DAKOSY-Schuppen-Code. 9 = place/port of loading 189 = if UMF DAKOSY-terminal code for primary terminal. - see B
C517	Location identification	C	N	
3225	Place/location identification	C an..25	N	Not used
C519	Related location one identification	C	R	
3223	Related place/location one identification	C an..25	R an..25	DAKOSY terminal code for primary terminal. - see A

Remark:

A
If the addressed terminal isn't an EDI-Partner and doesn't receive the cuscar message – a corresponding note will be given back to the message sender. (cf. EDI manual status messages)

B
The terminal code from primary terminal will be submitted with qualifier 189, when message type UMF (Umfuhrmeldung/ message of repositioning, moving container from one terminal to another). The Umfuhr - message will be delivered to the terminals and to the addressed carrier/ agent.

Example:

LOC+9++PCH'

DAKOSY

Datenkommunikationssystem AG

Presentation notification GM01 AES

Counter	No	Tag	Var	St	MaxOcc	Level	Name
0110		SG3	1	R	1	1	TDT-LOC-DTM
0140	14	DTM	1	D	1	2	Vessel date of departure

Standard			Implementation	
Tag	Name	St Format	St Format	Usage / Remark
DTM				
C507	Date/time/period	M	R	
2005	Date/time/period qualifier	M an..3	R an..3	133 Abfahrtsdatum/-zeit, geschätzt 133 = estimated date/time of departure
2380	Date/time/period	C an..35	R an8	Vessel departure ETS (segment 9 TDT, DE 8212)
2379	Date/time/period format qualifier	C an..3	R an..3	- see A 102 JJJJMMTT

Remark:

See annotation A to segment TDT 9

Example:

DTM+133:20140427:102'

Counter	No	Tag	Var	St	MaxOcc	Level	Name
0150	15	GIS	1	O	1	1	Indicator outboard loading

Standard			Implementation	
Tag	Name	St Format	St Format	Usage / Remark
GIS				
C529	Processing indicator	M	R	
7365	Processing indicator, coded	M an..3	R an..3	27 Außenbordverladung 27 = outboard loading
1131	Code list qualifier	C an..3	N	Not used
3055	Code list responsible agency, coded	C an..3	N	Not used
7187	Process type identification	C an..17	R an1	J Außenbordverladung N Keine Außenbordverladung J = outboard loading N = no outboard loading

Remark:

This segment indicates whether this concerns with an "outboard loading", i.e. goods declared by this presentation notification, will be directly loaded from barge to ocean vessel; there's no land sided Gate- In. Relevance for the ATLAS AES process see www.ZAPP-HAMBURG.DE/dokumente/AES/process description at outboard loading.

Example:

GIS+27:::J'

DAKOSY

Datenkommunikationssystem AG

Presentation notification GM01 AES

Counter	No	Tag	Var	St	MaxOcc	Level	Name
0280		SG6	1	R	1	1	CNI-SG7
0290	16	CNI	1	R	1	1	Consignment information

Standard			Implementation	
Tag	Name	St Format	St Format	Usage / Remark
CNI				
1490	Consolidation item number	C n..4	R n..4	Consecutive no. 1

Remark:**Example:**

CNI+1'

Counter	No	Tag	Var	St	MaxOcc	Level	Name
0310		SG7	1	R	1	2	RFF-LOC-GIS-SG8-SG10-SG13
0320	17	RFF	1	R	2	2	MRN of export declaration/ MRN of exit summary declaration / ATB-number / LRN

		Standard	Implementation	
Tag	Name	St Format	St Format	Usage / Remark
RFF				
C506	Reference	M	R	
1153	Reference qualifier	M an..3	R an..3	ED Ausfuhranmeldung, A-SumA: MRN, LRN - siehe A ZZZ Unterlassungswert -siehe B AEI Registration number of previous Customs declaration, ATB-Nummer - siehe C ED = export declaration: MRN - see A ZZZ = Mutually defined - see B AEI = ATB-number (with DUX only) - see C
1154	Reference number	C an..35	D an18	Number of export declaration MRN an18: n2; (year (00-99) a2; country ID ,DE' n4; office number ATLAS n8; serial number a1; technical procedure code ,E', 'X' (a1) n1; check digit (n1) AES one-stage procedure: LRN an22
1156	Line number	C an..6	D	Qualifier for the reference number. No specification = MRN. MRN Movement Reference Number LRN Local Reference Number
4000	Reference version number	C an..35	R an..35	Date/time of MRN release To be specified in format YYYYMMDDHHMMSS Mandatory field in case of declaration type DUX with MRN - see D

Remark:

The transmission of this segment is mandatory due to the message structure CUSCAR!

A

Only one MRN can be declared with the presentation notification message (CUSCAR), i.e. the RFF+ED may only be transmitted once.

With declaration type DUX with MRN only the MRN of the Hamburg customs office of exit (4851) can be specified (EXS-MRN referring to a summary exit declaration).

In the one-step procedure AES the Local Reference Number (LRN) has to be specified as reference for the export proceeding.

B

When transmitting a presentation with presentation type „SAC“ = SACO presentation the specification of the MRN is no longer required. The segment with ZZZ as qualifier will be expected.

C

The ATB no. to the summary declaration can be specified in case of declaration type DUX. Therefore it is required to repeat the RFF segment twice, unlike to the EDIFACT standard.

Is it not allowed to transmit two MRNs or two ATB numbers.

D

The time of release of the prior-made Exit Summary Declaration has to be stated.

The release is communicated with the message „E_EXS_STA“ from ATLAS. The time of release from the perspective of ZAPP is the time of receipt of the message mentioned above. Specifications like „00:00“, the actual time or date and the time when receiving the MRN are not allowed.

Example:

RFF+ED:15DE999912345678E7::20170113115700'
Declaration type AES
RFF+ED:17DE999912345678E7'

Declaration type AES in one-stage procedure
RFF+ED:8908ZU3409HJ8787DFE34T:LRN'

Declaration type DUX with MRN
RFF+ED:17DE485112345678X3::20170113115700'

Declaration type DUX with MRN and ATB-Number
RFF+ED:17DE485112345678X3::20170113115700'
RFF+AEI:ATB152234310420174851'

Declaration type DUX without MRN
RFF+ZZZ'

Counter	No	Tag	Var	St	MaxOcc	Level	Name
0310		SG7	1	R	1	2	RFF-LOC-GIS-SG8-SG10-SG13
0350	18	LOC	1	D	1	3	Country of origin

Standard			Implementation	
Tag	Name	St Format	St Format	Usage / Remark
LOC				
3227	Place/location qualifier	M an..3	M an..3	27 Country of origin Code 27 - Country of origin has to be specified for declaration type DUX without MRN.
C517	Location identification	C	C	
3225	Place/location identification	C an..25	C an..25	Country code according to ISO 3166
1131	Code list qualifier	C an..3	N	Not used
3055	Code list responsible agency, coded	C an..3	C an..3	5 ISO (International Organization for Standardization) Blank Code according to external trade statistic 5 = mandatory field if the ISO code is specified in DE3225

Remark:

The specification of the country of origin is required for declaration type DUX without MRN.

Example:

LOC+27+CN: :5'

Counter	No	Tag	Var	St	MaxOcc	Level	Name
0310		SG7	1	R	1	2	RFF-LOC-GIS-SG8-SG10-SG13
0350	19	LOC	2	D	1	3	Place/location identification

Standard			Implementation	
Tag	Name	St Format	St Format	Usage / Remark
LOC				
3227	Place/location qualifier	M an..3	M an..3	28 Country of destination of goods Code 27 - Country of origin has to be specified for declaration type DUX without MRN.
C517	Location identification	C	C	
3225	Place/location identification	C an..25	C an..25	Country code according to ISO 3166
1131	Code list qualifier	C an..3	N	Not used
3055	Code list responsible agency, coded	C an..3	C an..3	5 ISO (International Organization for Standardization) Blank Code according to external trade statistic 5 = mandatory field if the ISO code is specified in DE3225
3224	Place/location	C an..70	C an..70	

Remark:

Country of destination is required in case of declaration type DUX for statistical purposes and must not be sent in case of the declaration case AES.

The specification of country of destination is required in case of declaration type DUX without MRN.

Example:

LOC+28+CN: :X'

Counter	No	Tag	Var	St	MaxOcc	Level	Name
0310		SG7	1	R	1	2	RFF-LOC-GIS-SG8-SG10-SG13
0350	20	LOC	3	D	1	3	New customs office of exit

Standard			Implementation	
Tag	Name	St Format	St Format	Usage / Remark
LOC				
3227	Place/location qualifier	M an..3	M an..3	22 Customs office of clearance
C517	Location identification	C	C	
3225	Place/location identification	C an..25	C an..25	

Remark:

The customs office of exit has to be specified in this segment, if the forwarding of an MRN to another German customs office of exit is initiated simultaneously with the cancellation of a Z-number.

Example:

LOC+22+DE002452'

Counter	No	Tag	Var	St	MaxOcc	Level	Name
0310		SG7	1	R	1	2	RFF-LOC-GIS-SG8-SG10-SG13
0360	21	GIS	1	R	1	3	General indicator

Standard			Implementation	
Tag	Name	St Format	St Format	Usage / Remark
GIS				
C529	Processing indicator	M	M	
7365	Processing indicator, coded	M an..3	M an..3	22 Export
1131	Code list qualifier	C an..3	N	Not used
3055	Code list responsible agency, coded	C an..3	N	Not used
7187	Process type identification	C an..17	C an..5	<p>AES Export declaration in the AES procedure</p> <p>AUS Export / dispatch or summary export declaration in paper form, created in course of the emergency concept</p> <p>The declaration type DUX must be used for consignments for which an exit summary declaration has been delivered.</p> <p>Two situation are distinguished:</p> <p>DUX with MRN: The forwarding agent generates the exit summary declaration and also supplies the MRN via HDS or presentation notification GM01.</p> <p>DUX without MRN: ZAPP generates the exit summary declaration. Status messages from ATLAS are immediately received in ZAPP and directly forwarded to the participants.</p> <p>SAC Consolidated container for export declaration in the AES procedure</p>

Remark:

Declaration type

Example:

GIS+22:::AES'

DAKOSY

Datenkommunikationssystem AG

Presentation notification GM01 AES

Counter	No	Tag	Var	St	MaxOcc	Level	Name
0390		SG8	1	R	1	3	TDT-LOC
0400	22	TDT	1	R	1	3	Voyage no. (agent), call sign (vessel), name of the vessel

		Standard	Implementation	
Tag	Name	St Format	St Format	Usage / Remark
TDT				
8051	Transport stage qualifier	M an..3	R an..3	20 Hauptlauf 20 = Main carriage
8028	Conveyance reference number	C an..17	N	Not used
C220	Mode of transport	C	D	
8067	Mode of transport, coded	C an..3	R an..3	1 Sea

Remark:

The transmission of this segment is mandatory due to the message structure CUSCAR!

Example:

TDT+20++1'

Counter	No	Tag	Var	St	MaxOcc	Level	Name
0390		SG8	1	R	1	3	TDT-LOC
0410	23	LOC	1	R	1	4	Port of discharge code and port of discharge

Standard			Implementation	
Tag	Name	St Format	St Format	Usage / Remark
LOC				
3227	Place/location qualifier	M an..3	R an..3	11 Entladeort/Löschhafen 11 = place of loading/port of discharge
C517	Location identification	C	R	
3225	Place/location identification	C an..25	R an5	Port of discharge according to UN-LOCODE
1131	Code list qualifier	C an..3	N	Not used
3055	Code list responsible agency, coded	C an..3	O an..3	6 UN/ECE (United Nations - Economic Commission for Europe)
3224	Place/location	C an..70	O an..19	Name of port of discharge

Remark:

Example:

LOC+11+MTMLA:::6:MALTA'

DAKOSY

Datenkommunikationssystem AG

Presentation notification GM01 AES

Counter	No	Tag	Var	St	MaxOcc	Level	Name
0470		SG10	1	R	3	3	NAD-RFF-SG11
0480	24	NAD	1	R	1	3	Carrier/ line agent

Standard			Implementation	
Tag	Name	St Format	St Format	Usage / Remark
NAD				
3035	Party qualifier	M an..3	R an..3	BA Buchungsagent CA Frachtführer BA = booking agent CA = carrier - see A
C082	Party identification details	C	R	
3039	Party id. identification	M an..35	D an..4	The DAKOSY-code must be specified for "BA" and "CA".
1131	Code list qualifier	C an..3	O an..3	ZZZ Beiderseitig vereinbart ZZZ = Mutually agreed

Remark:

A The agents/agents, resp. shipowners corresponding DAKOSY-participant-code will be indicated in DE 3039. It isn't necessary to indicate an address in such cases.

Only DAKOSY-participant-codes of agents/agents or shipowners will be transferred in the DE3039 during the transmission of the CUSCAR to agents/agents or shipowners. The composit C058 will not be passed on in this case.

Example:

NAD+BA+SAC:ZZZ'

DAKOSY

Datenkommunikationssystem AG

Presentation notification GM01 AES

Counter	No	Tag	Var	St	MaxOcc	Level	Name
0470		SG10	1	R	3	3	NAD-RFF-SG11
0500	25	RFF	1	R	1	4	Reference of the presenter/forwarder

Standard			Implementation	
Tag	Name	St Format	St Format	Usage / Remark
RFF				
C506	Reference	M	R	
1153	Reference qualifier	M an..3	R an..3	CR Referenz des Gestellenden / Spediteurs BN Buchungsnummer wenn bei SG10, NAD, DE 3035 Qualifier BA angegeben CR = reference of the presenter/forwarder BN = booking number if the qualifier BA is specified in SG10, NAD,DE 3035
1154	Reference number	C an..35	R an..16	Reference of the presenter/forwarder Booking number Specifications of the booking no. required in case of LCL consignments.

Remark:

Example:

RFF+CR:MLA401062'

Counter	No	Tag	Var	St	MaxOcc	Level	Name
0510		SG11	1	R	1	4	CTA-COM
0520	26	CTA	1	R	1	4	Official in charge

Standard			Implementation	
Tag	Name	St Format	St Format	Usage / Remark
CTA				
3139	Contact function, coded	C an..3	R an..3	IC Informationskontakt IC = Information contact
C056	Department or employee details	C	R	
3413	Department or employee identification	C an..17	N	Not used
3412	Department or employee	C an..35	R an..35	Official in charge

Remark:

Example:

CTA+IC+:ROLF WOLF'

Counter	No	Tag	Var	St	MaxOcc	Level	Name
0510		SG11	1	R	1	4	CTA-COM
0530	27	COM	1	D	3	5	Communication contact

Standard			Implementation	
Tag	Name	St Format	St Format	Usage / Remark
COM				
C076	Communication contact	M	R	
3148	Communication number	M an..512	R an..512	Phone mandatory an..15 E-mail address an..56 Telefax mandatory an..35
3155	Communication channel qualifier	M an..3	R an..3	TE Telefon EM E-Mail-Adresse FX Telefax TE = phone EM = e-mail address FX = telefax

Remark:**Example:**

COM+0421/52016-23:TE'

Counter	No	Tag	Var	St	MaxOcc	Level	Name
0470		SG10	2	D	1	3	NAD
0480	28	NAD	1	D	1	3	Declarant

Standard			Implementation	
Tag	Name	St Format	St Format	Usage / Remark
NAD				
3035	Party qualifier	M an..3	M an..3	DT Declarant Code DT has to be specified for declaration type DUX without MRN.
C082	Party identification details	C	C	
3039	Party id. identification	M an..35	R an..4	DAKOSY participant code
1131	Code list qualifier	C an..3	C an..3	ZZZ Beiderseitig vereinbart ZZZ = Mutually agreed
C058	Name and address	C	R	
3124	Name and address line	M an..35	R an..35	Declarant's address AES declaration in one-step procedure: EORI (1-17) Branch (18-22)
3124	Name and address line	C an..35	C an..35	Declarant's address
3124	Name and address line	C an..35	D an..35	Declarant's address. The specification of the declarant's location is required for declaration type DUX without MRN. Contains the place of declaration in plain text.
3124	Name and address line	C an..35	C an..35	Declarant's address
3124	Name and address line	C an..35	C an..35	Declarant's address

Remark:

The specification of the declarant's location is required for declaration type DUX without MRN.

In case of declaration type AES in one-step procedure either the EORI and branch of the declarant or of the consignor have to be specified.

Example:

NAD+DT+GC03:ZZZ+COMPANY NAME:STREET:LOCATION:POSTCODE:COUNTRY CODE'

Counter	No	Tag	Var	St	MaxOcc	Level	Name
0470		SG10	3	D	1	3	NAD
0480	29	NAD	1	D	1	3	Consignor

Standard			Implementation	
Tag	Name	St Format	St Format	Usage / Remark
NAD				
3035	Party qualifier	M an..3	M an..3	CZ Consignor Code CZ has to be specified for declaration type DUX without MRN.
C082	Party identification details	C	N	
3039	Party id. identification	M an..35	N	Not used
C058	Name and address	C	R	
3124	Name and address line	M an..35	M an..35	Consignor's address. For DUX without MRN = also EORI is possible. AES declaration in one-step procedure: EORI (1-17) Branch (18-22)
3124	Name and address line	C an..35	D an..35	Consignor's address. For DUX without MRN = Street
3124	Name and address line	C an..35	D an..35	Consignor's address. For DUX without MRN = Location
3124	Name and address line	C an..35	D an..35	Consignor's address. For DUX without MRN = Postcode
3124	Name and address line	C an..35	D an..35	Consignor's address. For DUX without MRN = ISO country code

Remark:

In case of declaration type DUX without MRN the address of the sender/consignor must be specified, if it differs from the EORI of the forwarding agent.

In case of declaration type AES in one-step procedure either the EORI and branch of the consignor or of the declarant have to be specified.

Example:

NAD+CZ++MUELLER AG:STREET:LOCATION:POSTCODE:COUNTRY CODE'

Counter	No	Tag	Var	St	MaxOcc	Level	Name
0470		SG10	4	D	1	3	NAD
0480	30	NAD	1	D	1	3	Consignee

Standard			Implementation	
Tag	Name	St Format	St Format	Usage / Remark
NAD				
3035	Party qualifier	M an..3	R an..3	CN Consignee Code CN has to be specified for declaration type DUX without MRN.
C082	Party identification details	C	N	
3039	Party id. identification	M an..35	N	Not used
C058	Name and address	C	D	
3124	Name and address line	M an..35	M an..35	Consignee's address: Name
3124	Name and address line	C an..35	R an..35	Consignee's address: Street
3124	Name and address line	C an..35	R an..35	Consignee's address: Location
3124	Name and address line	C an..35	R an..35	Consignee's address: Postcode
3124	Name and address line	C an..35	R an..35	Consignee's address: ISO country code

Remark:

The specification of the consignee is required for declaration type DUX without MRN.

Example:

NAD+CN++NAME:STREET:LOCATION:POSTCODE:COUNTRY CODE'

Counter	No	Tag	Var	St	MaxOcc	Level	Name
0570		SG13	1	R	999	3	GID-FTX-MEA-SGP-PCI-CST
0580	31	GID	1	R	1	3	Number and type of packages, code and type of packages (long)

Standard			Implementation	
Tag	Name	St Format	St Format	Usage / Remark
GID				
1496	Goods item number	C n..5	R n..5	1, 2, 3, etc.
C213	Number and type of packages	C	R	
7224	Number of packages	C n..8	R n6	Number of packages -see A
7065	Type of packages identification	C an..17	R an2	KL Kolli KL = Kolli (packages) Type of packages; DAKOSY-code -see A
1131	Code list qualifier	C an..3	N	Not used
3055	Code list responsible agency, coded	C an..3	N	Not used
7064	Type of packages	C an..35	D an..7	Type of packages; mandatory field, if no coding is indicated

Remark:

A
In case of the declaration types "SAC" = SACO –presentation and "UMF" = message of repositioning (SG07 GIS, DE 7187) the element DE 7224 requires the specification of "1" (number of packages) and data element DE 7065 the specification of only one container package code.

The container package codes are published in the internet.

Example:

GID+1+1:KL:::KOLLI'

Counter	No	Tag	Var	St	MaxOcc	Level	Name
0570		SG13	1	R	999	3	GID-FTX-MEA-SGP-PCI-CST
0610	32	FTX	1	R	99	4	Goods description

Standard			Implementation	
Tag	Name	St Format	St Format	Usage / Remark
FTX				
4451	Text subject qualifier	M an..3	M an..3	AAA Güter-/Warenbeschreibung (Warenbeschreibung) - see A
4453	Text function, coded	C an..3	N	Not used
C107	Text reference	C	N	
4441	Free text, coded	M an..3	N	Not used
C108	Text literal	C	R	
4440	Free text	M an..70	R an..44	Goods description
4440	Free text	C an..70	O an..44	Goods description
4440	Free text	C an..70	O an..44	Goods description
4440	Free text	C an..70	O an..44	Goods description
4440	Free text	C an..70	O an..44	Goods description

Remark:

Not applicable if declaration type "SAC" = SACO.

A

If declaration type = DUX without MRN (SG6/7 GIS DE7187), the specification of the goods description (DE4451 = AAA) or the customs code identification (segment CST) is required.

Example:

FTX+AAA+++FURNITURE:FURTHER DESCRIPTION, LINE 2:FURTHER DESCRIPTION, LINE 3:FURTHER DESCRIPTIO
N, LINE 4:FURTHER DESCRIPTION, LINE 5'

Counter	No	Tag	Var	St	MaxOcc	Level	Name
0570		SG13	1	R	999	3	GID-FTX-MEA-SGP-PCI-CST
0610	33	FTX	2	R	99	4	Position numbers/ package-ID's to the number of the export declaration (MRN / LRN)

Standard			Implementation	
Tag	Name	St Format	St Format	Usage / Remark
FTX				
4451	Text subject qualifier	M an..3	M an..3	MKS Positionsnummer / Pack-ID/ Vollständigkeitskennzeichen/ Mindermengenkennzeichen zur MRN / LRN MKS = position number / pack.-ID/indicator shortage in quantity/to the MRN / LRN
4453	Text function, coded	C an..3	N	Not used
C107	Text reference	C	N	
4441	Free text, coded	M an..3	N	Not used
C108	Text literal	C	R	
4440	Free text	M an..70	R n3	Position number of export declaration; value other than 000. If an MRN will be completely declared with this message (indic. of completeness= J), the value 000 may not be sent as of 1.04.2013 anymore, but generally the actual position of the export declaration. Also the qualifier LV can be set in RFF+ED in such cases. The declaration in AES takes place on operation level.
4440	Free text	C an..70	D n2	Package-ID to the position number (MKS) has to be 00, if the assignment in RFF+ED has been set at operation or goods item level (LV or LW); in case of "00" no further package-ID data to the position is expected, the message will be rejected otherwise. If the assignment has been specified on package level, this element must contain a value other than "00". Package-ID
4440	Free text	C an..70	R an1	Indic. of completeness J/N
4440	Free text	C an..70	O an..70	Indic. shortage in quantity J/N
4440	Free text	C an..70	C an..70	If all or some of the goods loaded onto the vehicle are registered on an own (!) goods item of the same MRN, the corresponding goods item must be identified with B. B Beiladung im Fahrzeug B = Additional cargo in the vehicle Following rules apply: * The FTX+AKG must not be sent for the same GID group. The GID describing the vehicle cannot be identified as additional cargo. * A goods item with vehicle data (FTX+AKG) must be available in the presentation notification.

Remark:

Not applicable at this declaration type „SAC“ = SACO

The indicator of completeness must always be set on „J“, splitting of a MRN in 2 or more Z-numbers is only available with the HDS. The indicator of shortage in quantity = J must always be indicated if the quantity (weight), which is indicated to the position, has been decreased in comparison to the quantity indicated in the first stage of customs declaration. The shortage in quantity will be reported to AES by means of the variation in net weight. The actual export weight of the position must be notified in positions declared with shortage in quantity = J. A position must be separately specified in the segment RFF qualifier EP at the header level, if the position will be cancelled completely. If the whole MRN will not be exported, it must be cancelled by the exporter (goods have not arrived at port yet) or the GPO shortage in quantity message termination of export (goods are already at the port) has to be sent.

DAKOSY

Datenkommunikationssystem AG

Presentation notification GM01 AES

0570		SG13	1	R	999	3	GID-FTX-MEA-SGP-PCI-CST
0610	33	FTX	2	R	99	4	Position numbers/ package-ID's to the number of the export declaration (MRN)

In case of declaration type DUX a shortage cannot be specified.

In case of declaration type AES in the one-stage procedure a shortage cannot be specified.

The MRN positions in FTX+MKS have to be indicated in ascending order.

Example:

GID+1+1:UV::'

FTX+MKS+++001:00:J:'

GID+2+1:UV::'

FTX+MKS+++001:00:J:'

GID+3+1:UV::'

FTX+MKS+++002:00:J:'

GID+4+1:UV::'

FTX+MKS+++002:00:J:'

GID+5+1:UV::'

FTX+MKS+++003:00:J:'

...

Only the position number of the exportation declaration will be passed on in the first data element 4440 during the transmission of the CUSCAR to the shipowner/agent/line. The goods description may add up to 4x44 positions. Special explanatory notes may add up to max. 5 x 45positions.

Example:

FTX+MKS+++001:00:J:N:B'

Counter	No	Tag	Var	St	MaxOcc	Level	Name
0570		SG13	1	R	999	3	GID-FTX-MEA-SGP-PCI-CST
0610	34	FTX	3	C	99	4	special explanatory note

Standard			Implementation	
Tag	Name	St Format	St Format	Usage / Remark
FTX				
4451	Text subject qualifier	M an..3	M an..3	AAZ (Additional export information bes. Vermerke) AAZ = (additional export information, specialnotes)
4453	Text function, coded	C an..3	N	Not used
C107	Text reference	C	N	
4441	Free text, coded	M an..3	N	Not used
C108	Text literal	C	C	
4440	Free text	M an..70	R an..45	Special explanation
4440	Free text	C an..70	C an..45	Special explanation
4440	Free text	C an..70	C an..45	Special explanation
4440	Free text	C an..70	C an..45	Special explanation
4440	Free text	C an..70	C an..45	Special explanation

Remark:

Not applicable at this declaration type ,SAC“ = SACO

Example:

FTX+AAZ+++FURTHER REMARKS:LINE 2:LINE 3:LINE 4:LINE 5'

Counter	No	Tag	Var	St	MaxOcc	Level	Name
0570		SG13	1	R	999	3	GID-FTX-MEA-SGP-PCI-CST
0610	35	FTX	4	D	99	4	SACO - Z-number/B-numbers of single consignments

		Standard	Implementation	
Tag	Name	St Format	St Format	Usage / Remark
FTX				
4451	Text subject qualifier	M an..3	M an..3	DCL Declaration DCL= declaration SACO with indicator of completeness
4453	Text function, coded	C an..3	N	Not used
C107	Text reference	C	N	Not used
4441	Free text, coded	M an..3	N	Not used
C108	Text literal	C	R	
4440	Free text	M an..70	R an13	ZAPP reference (Z-number, B-number or S-Number) + indic. of completeness (J/N)
4440	Free text	C an..70	O an13	ZAPP reference (Z-number, B-number or S-Number) + indic. of completeness (J/N)
4440	Free text	C an..70	O an13	ZAPP reference (Z-number, B-number or S-Number) + indic. of completeness (J/N)
4440	Free text	C an..70	O an13	ZAPP reference (Z-number, B-number or S-Number) + indic. of completeness (J/N)
4440	Free text	C an..70	O an13	ZAPP reference (Z-number, B-number or S-Number) + indic. of completeness (J/N)

Remark:

Required segment in case of a declaration of a consolidated container (declaration type SAC)

The recipient (terminal, line agent) receives the data in the segment FTX+OSI.

Example:

FTX+DCL+++Z12001279974J:Z12100731987J:Z12001150427J:Z12001297190J:Z12001275147N'

DAKOSY

Counter	No	Tag	Var	St	MaxOcc	Level	Name
0570		SG13	1	R	999	3	GID-FTX-MEA-SGP-PCI-CST
0610	36	FTX	5	D	99	4	SACO - Z-number/B-numbers (only receiving party)

		Standard	Implementation	
Tag	Name	St Format	St Format	Usage / Remark
FTX				
4451	Text subject qualifier	M an..3	M an..3	OSI (Otherwise specified) = SACO Anmeldung -siehe B OSI = (otherwise specified) = SACO not applicable as of 01.03.2008
4453	Text function, coded	C an..3	N	Not used
C107	Text reference	C	N	
4441	Free text, coded	M an..3	N	Not used
C108	Text literal	C	R	
4440	Free text	M an..70	R an12	ZAPP reference (Z-number, B-number or S-Number)
4440	Free text	C an..70	O an12	ZAPP reference (Z-number, B-number or S-Number)
4440	Free text	C an..70	O an12	ZAPP reference (Z-number, B-number or S-Number)
4440	Free text	C an..70	O an12	ZAPP reference (Z-number, B-number or S-Number)

Remark:

The declaration of a consolidated container must be done via FTX+DCL.

For the receiver (terminal, line agent) applies:

The SACO-ZAPP-references will be transferred in the FTX+OSI!

Example:

FTX+OSI+++Z12001236513:Z12100397415:Z12100700846:Z12100700857'

Counter	No	Tag	Var	St	MaxOcc	Level	Name
0570		SG13	1	R	999	3	GID-FTX-MEA-SGP-PCI-CST
0610	37	FTX	6	D	99	4	Chassis number

Standard			Implementation	
Tag	Name	St Format	St Format	Usage / Remark
FTX				
4451	Text subject qualifier	M an..3	M an..3	AKG Chassis Nr. AKG = chassis number
4453	Text function, coded	C an..3	N	Not used
C107	Text reference	C	N	
4441	Free text, coded	M an..3	N	Not used
C108	Text literal	C	R	
4440	Free text	M an..70	R an..17	Chassis number
4440	Free text	C an..70	D an1	Indicator equipment: Z

Remark:

One chassis number may be sent per GID.

The characters O and I are not permitted in the chassis number. O has to be replaced by 0 = zero instead! I has to be replaced by 1.

Additional cargo:

The additional cargo indicator "B" cannot be sent within segment FTX+AKG, but in segment FTX+MKS (cf. page 56).

Equipment:

The segment FTX+AKG for vehicle equipment must include the chassis number and equipment 'Z'.

Example:

FTX+AKG+++WDC2049841F860993:Z'

FTX+AKG+++J4DMA6XA295926'

Counter	No	Tag	Var	St	MaxOcc	Level	Name
0570		SG13	1	R	999	3	GID-FTX-MEA-SGP-PCI-CST
0620	38	MEA	1	D	2	4	Net weight/gross weight

Standard			Implementation	
Tag	Name	St Format	St Format	Usage / Remark
MEA				
6311	Measurement application qualifier	M an..3	R an..3	AAE values
C502	Measurement details	C	R	
6313	Measurement dimension, coded	C an..3	R an..3	G Gross weight AAL Net weight AAW Coubage - see A;C
C174	Value/range	C	R	
6411	Measure unit qualifier	M an..3	M an..3	KGM Kilogramm
6314	Measurement value	C n..18	R n..11	Value -see B

Remark:

A

At least the gross weight must be indicated.

- AAL = Net weight (without packing)

- G = Gross weight (net weight + packing)

x

B

The weight (gross- or net weight) will be transferred in data element 6314. Thereby attention should be paid to the fact that the weight may have max. 8 pre-decimal places and 3 decimal places. When indicating decimal places, please indicate a comma (e.g. 5,645). The message will be rejected, in case of a transmission with more than 8 pre-decimal places. The indication will be cut off from the fourth digit, when indicating more than 3 decimal places. Integral values can be transmitted without indicating a comma (e.g. 25000 or 25000,000). The indication of the grossweight is mandatory in case of declaration type "SAC"= SACO-presentation. An indication of the weight won't be expected for the transmission of additional packages to one position.

C

The indication of the net weight is mandatory in case of a notification of shortage in quantity. The actual weight (both gross weight and net weight, that are being up to be exported) of the position must be indicated. The indication of 0 is not permitted. The indication of the whole position takes place in segment RFF qualifier EP at header level; if the whole MRN won't be exported, it must be cancelled by the exporter (goods aren't arrived at port yet) or the GPO shortage in quantity message termination of export (goods are already at the port) has to be sent.

Example:

MEA+AAE+G+KGM:205,000'

Counter	No	Tag	Var	St	MaxOcc	Level	Name
0570		SG13	1	R	999	3	GID-FTX-MEA-SGP-PCI-CST
0640	39	SGP	1	D	1	4	Equipment allocation of goods

Standard			Implementation	
Tag	Name	St Format	St Format	Usage / Remark
SGP				
C237	Equipment identification	M	R	
8260	Equipment identification number	C an..17	R an..17	Container number in terms of PPPNNNNNNZ P = prefix N = number Z = check digit - see A
1131	Code list qualifier	C an..3	N	Not used
3055	Code list responsible agency, coded	C an..3	R an..3	5 ISO (International Organization for Standardization) ZZZ Beiderseitig vereinbart (shippers owned) Code = 5 --> ISO Code = ZZZ --> shippers owned

Remark:

Mandatory in case of containerized goods, declaration type: "SAC"= SACO-presentation.

A
The prefix will always be counter-checked with the BIC-code-table, if a container number is indicated. This table contains every officially assigned container prefix. The assignment is made by the organisation "Bureau International des Containers" (BIC). A validity check takes place in any case of a prefix occurring in this table, even if the container has been identified as "shippers owned". That's why containers without official prefix according to BIC-code must be identified as "shippers owned". A detailed index of the validity check can be found under annex A.
An indication of the weight will not be expected for the transmission of additional packages to one position.

Example:

SGP+HLCU1234566:::5'

Counter	No	Tag	Var	St	MaxOcc	Level	Name
0570		SG13	1	R	999	3	GID-FTX-MEA-SGP-PCI-CST
0660	40	PCI	1	D	1	4	Package identification

Standard			Implementation	
Tag	Name	St Format	St Format	Usage / Remark
PCI				
4233	Marking instructions, coded	C an..3	R an..3	24 Shipper assigned (marks)
C210	Marks & labels	C	R	
7102	Shipping marks	M an..35	M an..20	Character and number (marks)
				- see A

Remark:

Marks may be sent for the transmission of additional packages to one position.

A

If declaration type = DUX without MRN (SG6/7 GIS DE7187) the specification of the shipping mark is required.

Example:

PCI+24+MARKS AND NUMBERS'

Counter	No	Tag	Var	St	MaxOcc	Level	Name
0570		SG13	1	R	999	3	GID-FTX-MEA-SGP-PCI-CST
0670	41	CST	1	D	1	4	Customs status of goods

Standard			Implementation	
Tag	Name	St Format	St Format	Usage / Remark
CST				
1496	Goods item number	C n..5	N	Not used
C246	Customs identity codes	C	R	
7361	Customs code identification	M an..18	M an..18	8-digit customs code identification - see A

Remark:

A

If declaration type = DUX without MRN (SG6/7 GIS DE7187) the specification of the customs code identification (7361) or the specification of the goods description (SG13/FTX(1)) is required.

Example:

CST++86053245'

Counter	No	Tag	Var	St	MaxOcc	Level	Name
0780	42	UNT	1	M	1	0	MESSAGE TRAILER

Standard			Implementation	
Tag	Name	St Format	St Format	Usage / Remark
UNT				
0074	Number of segments in a message	M n..6	M n..6	Number of segments in a message (including the UNH- and UNT- segment)
0062	Message reference number	M an..14	M an..14	Message reference number of the UNH/0062. Comparison of the number when receiving the message with the UNH record.

Remark:**Example:**

UNT+27+04042115130001'

DAKOSY

Datenkommunikationssystem AG

Presentation notification GM01 AES

Counter	No	Tag	Var	St	MaxOcc	Level	Name
0000	43	UNZ	1	M	1	0	INTERCHANGE TRAILER

		Standard	Implementation	
Tag	Name	St Format	St Format	Usage / Remark
UNZ				
0036	Interchange control count	M n..6	R n..6	Number of (sent) segments in the interchange
0020	Interchange control reference	M an..14	M an..14	Message reference number of the UNB/0020

Remark:**Example:**

UNZ+1+0404211513'

7. List of data fields and corresponding validations

7.1 Table of data fields

	SBF	MIT	EUB	SAC *20	DUX with MRN	DUX without MRN	AES	AUS *18
HDS/GM01								
Warehouse/packing company	+1	+1	+1	+1	+1	+1	+1	+1
Administrator	+	+	+	+	+	+	+	+
Telephone number	+	+	+	+	+	+	+	+
Fax number	+	+	+	+	+	+	+	+
E-mail address	+	+	+	+	+	+	+	+
Shipper's reference	+	+	+	+	+	+	+	+
Type of declaration	+	+	+	+	+	+	+	+
Number of export declaration	-	-	-	-	-	-	-	-
Value > EUR 1000	*16	-	-	-	-	-	-	-
Other exemption	*16	-	-	-	-	-	-	-
Sender/exporter	+	+	?	-	-	*21	-	+
Receiver	-	+	-	-	-	+	-	-
Declarant/representative	+	?	?	-	-	+	-	+
Person in charge	-	+	-	-	-	-	-	
Shipping/ exporting/ departure country	-	+	*5	-		+	-	+4
Country of destination	+6	+6	+7	-	?	+	-	+6
DAKOSY Voyage Number	*2	*2	*2	*2	*2	*2	*2	*2
Name of ship	*2	*2	*2	*2	*2	*2	*2	*2
Call sign	*2	*2	*2	*2	*2	*2	*2	*2
Departure date	*2	*2	*2	*2	*2	*2	*2	*2
Broker	+2	+2	+2	+2	+2	+2	+2	+2
Ship owner	?	?	?	?	?	?	?	?
Port of discharge code	+	+	+	+	+	+	+	+
Port of discharge name	?	?	?	?	?	?	?	?
Shortage in quantity	-	-	-	-	-	-	#17	-
Number of packages	+11	+11	+11	-	+11	+11	+11	+11
Packing code	*12	*12	*12	+13	+	+	+	*12
Packing description	?	?	?	?	?	?	?	?
Marks and Numbers	+	+	+	-	-	+	-	?
MRN	-	-	-	-	+	-	+	-
Container number	*14	*14	*14	+	*14	*14	*14	*14
Shipper's-own code	*15	*15	*15	*15	*15	*15	*15	*15
ATB no. (former customs registration number)	-	+	*19	-	?	?	-	-
Position of export declaration	+	+	+	-	?	-	-	+
Commodity description	+	+	+	-	-	+	-	+
Commodity code	?9	?9	?9	-	-	+	-	+9
Gross weight	*10	*10	*10	+	*10	*10	*10	*10
Net weight	*10	*10	*10	-	-	-	*10	*10
Customs Procedure code	-	-	-	-	-	-	-	+3
Completion code	-	-	-	-	+	-	+	-
Data transmission type of the data of annex 30A data	-	+	-	-	-	-	-	-

Exemption reason for the delivery of an exit SumA	-	+	-	-	-	-	-	-
Associated ZAPP references (B-, S- or Z-numbers)	-	-	-	+	-	-	-	-

Key:

- + Mandatory field
- * Special case
- # AES or DUX
- ? Optional field
- - Not used / blanked out

7.2 Explanations to the table of data fields

- 1 For the warehouse code BK9 and EUR a container has to be specified (FCL). For the warehouses BK5, BK6 and all Eurokai warehouses (apart from EUR) the presentation must not include a container (LCL). Warehouse code ADZB is not permitted for SAC presentations.
- 2 The fields DAKOSY voyage number, name of ship, call signal, departure date and agent are checked interdependently:
 - If the voyage number is specified, it is checked against the data in the ship departure. The departure date may not be before the current date and the agent has to correspond with the ship departure agent.
 - Call sign, departure date, vessel name and agent code. The departure date may not be before the current date.
- 3 Customs Procedure Code: Value between 0000 and 0999 or between 4000 and 9499 is invalid (new error code „Selected Customs Procedure code is invalid“)
- 4 The shipping country has to be in the EU.
- 5 *Comment: Not used anymore.*
- 6 The country of destination must not be in the EU.
- 7 The country of destination has to be in the EU.
- 8 If the market regulation code is "J", then the field "registration/reference number" becomes a mandatory field.
- 9 The first eight digits of the commodity code must not have a value greater than 01010000.
- 10 The following applies for the declaration types SBF, MIT, EUB and AUS:
The fields gross weight and net weight are always mandatory fields with the first position of a declaration, from the second position the fields gross weight and net weight are optional fields, for which the value "0" is also permitted.
AES: The specification of net weight is mandatory if there is a shortage in quantity (see shortage in quantity code). In this case the gross weight and net weight which are to be actually exported are to be specified. The corrected quantities are transmitted to ATLAS AES and overwrite the data in the export declaration.
- 11 The number of packages "0" is not permitted in the first position in the first declaration type in a B number. This means that from the second position of the first declaration type or from the first position of the second declaration type in a B number the number of packages "0" is permitted.
AES: The number of packages overwrites the value from the export declaration and is only to be understood as an amendment, not as a shortage in quantity (see 10)
- 12 The packing code has to be specified if the number of packages is greater than 0.
- 13 For SACO a container packing code (i.e. numerical 2 digits) has to be specified.
- 14 A container is mandatory if a container packing code (i.e. numerical 2 digits) was specified.
- 15 The field shipper-owned code may only be entered with "J" if the container does not conform with the ISO standard.
- 16 The fields other exemption and value > EUR 1000 are checked interdependently. Either value > EUR 1000 has the entry "N" or other exemption has the entry "J". Any entry is permitted in the respective other field, i.e. "J, N, blank". New error code, text, "A requirement for the declaration SBF is that the value of the export shipment is not > EUR 1000 or that there is no other reason for exemption in terms of the mandatory input rules".

17 The shortage in quantity flag is always to be transmitted when the actual quantity exported does not correspond with the declared quantity in the export declaration (net weight or if applicable gross weight) and consequently the information in the ATLAS AES system has to be corrected.

18 Declaration type AUS (emergency concept) with mark up sign for B-number

In case that the transfer into the export procedure is not possible by electronic means due to an export error, the export declaration will be manually created on a separate form. If the export declaration has been delivered in Germany in such case, the document has to be provided with a ZIVIT ticket number. On that basis the ZAPP collection formalities have been adjusted as follows:

Name	HDS	Use	GM01	Use
Type of declaration	Field 103	M	SG7/18/GIS	M value „AUS“
Number of export declaration	Field 151	M	SG7 / 11 / RFF	M
Net weight	Field 133	K	SG13 / 22 / MEA	K

K = conditional

M = mandatory

The generated B-Number will be marked with an „N“ at 4th position (B11N00000001)

19 Mandatory in case of declaration type EUB, if the country of origin is not located in the EU. Goods, located in temporary storage, also have to be specified. This concerns e.g. goods, that have been delivered seaward from another EU member state and for which the community status could not be determined.

20 The declaration type “SAC” is only used in case of a presentation notification message GM01. Mandatory in case of declaration type EUB, if the country of dispatch is a non-EU country. This specification also has to be given for goods in temporary storage. This applies for example to goods, which were delivered/imported seaside from another EU member state and the community status could not be proven.

The ATB no. has to be generated at the customs office DE004851. Example:

ATB15xxxxxxxxxxxx4851

21 In case of declaration type DUX the address of the sender/exporter must be specified, if it differs from the EORI of the forwarding agent.

8. Examples

8.1 Examples of a presentation notification for the car shipment

One vehicle on a position of an AE

UNB+UNOA:2+DAK+ZAPP+080801:1429+5083'
 UNH+0203160+CUSCAR:D:96A:UN:DEGM01'
 BGM+335:::GM01V03++9'
 DTM+137:201308011429:203'
 RFF+ABP:4900863'
 NAD+MS+DAK'
 TDT+20+TEST+++DKL1000'
 LOC+9++DKY'
 DTM+133:20130802:102'
 CNI+0001'
RFF+ED:08DE955600000101E0'
 GIS+22:::AES'
 TDT+20++1'
 LOC+11+BJCOO'
 NAD+BA+ABS'
 NAD+CA+ABR'
 RFF+CR:A0203160'
 CTA+IC+:TEST'
 COM+37003410:TE'
 COM+37003420:FX'
 GID+00001+1:UV'
FTX+AAA+++GEBRAUCHTES FAHRZEUG C.NR A11111:ALFA ROMEO 147'
FTX+MKS+++001:00:J'
FTX+AKG+++A11111:Z'
 MEA+AAE+G+KGM:00000001200'
 UNT+000025+0203160'

Several vehicles on a position of an AE

(In this cases it is recommended to indicate the total weight of a position in the first line of the GID (goods item details), since terminals and agents only receive the weight indications and goods descriptions of the first GID of a position. The chassis numbers are transferred unchanged in their own GID groups.)

UNH+0203431+CUSCAR:D:96A:UN:DEGM01'
 BGM+335:::GM01V03++9'
 DTM+137:201308011429:203'
 RFF+ABP:4900863'
 NAD+MS+DAK'
 TDT+20+TEST+++DKL1000'
 LOC+9++DKY'
 DTM+133:20130802:102'
 CNI+0001'
 RFF+ED:08DE955600000105E6'
 GIS+22:::AES'
 TDT+20++1'

LOC+11+BJCOO'

NAD+BA+ABS'

NAD+CA+ABR'

RFF+CR:A0203431'

CTA+IC+:TEST'

COM+37003410:TE'

COM+37003420:FX'

GID+00001+1:UV'

FTX+AAA+++GEBRAUCHTES FAHRZEUGE BMW 316 930KG+:AUDI 200 1370GK'**FTX+MKS+++001:00:J'****FTX+AKG+++12212121'**

MEA+AAE+G+KGM:00000002340'

(Total weight of the 1. position of MRN)

GID+00002+1:UV'

FTX+AAA+++GEBRAUCHTES FAHRZEUG C.NR 341542353:AUDI 200'**FTX+MKS+++001:00:J'****FTX+AKG+++341542353'**

MEA+AAE+G+KGM:00000001370'

GID+00003+1:UV'

FTX+AAA+++GEBRAUCHTES FAHRZEUG C.NR 4124152356346:CHRYSLER LE BARON'

FTX+MKS+++002:00:J'

FTX+AKG+++4124152356346'

MEA+AAE+G+KGM:00000001207'

GID+00004+1:UV'

FTX+AAA+++GEBRAUCHTES FAHRZEUGE BMW 323 1430 KG+ FIAT 242 1500 KG VW BORA 1327 KG'

FTX+MKS+++003:00:J'

FTX+AKG+++E434343'

MEA+AAE+G+KGM:00000004257'

(Total weight of the 3. position of MRN)

GID+00005+1:UV'

FTX+AAA+++GEBRAUCHTES FAHRZEUG C.NR W00888999:FIAT 242'

FTX+MKS+++003:00:J'

FTX+AKG+++W00888999'

MEA+AAE+G+KGM:00000001500'

GID+00006+1:UV'

FTX+AAA+++GEBRAUCHTES FAHRZEUG C.NR 80899999888:VW BORA'

FTX+MKS+++003:00:J'

FTX+AKG+++80899999888'

MEA+AAE+G+KGM:00000001327'

GID+00007+1:UV'

FTX+AAA+++GEBRAUCHTES FAHRZEUG C.NR 3121D12122:TOYOTA CARINA'

FTX+MKS+++004:00:J'

FTX+AKG+++3121D12122'

MEA+AAE+G+KGM:00000000985'

GID+00008+1:UV'

FTX+AAA+++GEBRAUCHTES FAHRZEUG C.NR Q333221:HONDA CIVIC'

FTX+MKS+++005:00:J'

FTX+AKG+++Q333221'

MEA+AAE+G+KGM:00000001125'

UNT+000060+0203431'

8.2 Examples for presentation notification with declaration type DUX

DUX with MRN

UNA:+.? '
UNB+UNOB:2+DAKT:ZZZ+ZAPP:ZZZ+170202:1523+422180462'
UNH+422356600001+CUSCAR:D:96A:UN:DEGM01'
BGM+335:::GM01V03+422356600001+9'
DTM+137:201702021523:203'
NAD+MS+DAKT'
TDT+20++++XXX9999+++P2V5305:103::MADANG COAST'
LOC+9++EUR'
DTM+133:20170204:102'
CNI+1'
RFF+ED:17DE485100011771X9:20170131115700'
RFF+AEI:ATB154712150120174851'
LOC+27+US::5'
LOC+28+TN::5'
GIS+22:::DUX'
TDT+20++1'
LOC+11+TNLGN::6'
NAD+CN++ABC MOTOR COMPANY ZAO:INDUSTRIAL STR 20:CITY NAME:12345:TN'
NAD+CZ++ABC MOTOR COMPANY:WEST FORT STREET:DETROIT:18609:US'
NAD+BA+DKL:ZZZ'
RFF+CR:FS14121900000125'
CTA+IC+:FS'
COM+4940370030:TE'
COM+4940123456:FX'
COM+TEST@COMPANY.DE:EM'
GID+1+1:C4'
FTX+AAA+++AUTO PARTS'
FTX+MKS+++1'
MEA+AAE+G+KGM:349'
SGP+FSCU9131730::5'
GID+1+1:KL'
FTX+AAA+++AUTO PARTS'
FTX+MKS+++1'
MEA+AAE+G+KGM:349'
UNT+34+422356600001'
UNZ+1+422180462'

DUX without MRN

UNA:+.? '
UNB+UNOB:2+DAKT:ZZZ+ZAPP:ZZZ+170202:1523+422180462'
UNH+422356600001+CUSCAR:D:96A:UN:DEGM01'
BGM+335:::GM01V03+422356600001+9'
DTM+137:201702021523:203'
RFF+ABP:DE4813702461045Z7:0000:E'
NAD+MS+DAKT'
TDT+20++++XXX9999+++P2V5305:103::MADANG COAST'

LOC+9++EUR'
DTM+133:20170204:102'
CNI+1'
RFF+ZZZ'
LOC+27+US::5'
LOC+28+TN::5'
GIS+22:::DUX'
TDT+20++1'
LOC+11+TNLGN::6'
NAD+CN++ABC MOTOR COMPANY ZAO:INDUSTRIAL STR 20:CITY NAME:12345:TN'
NAD+CZ++ABC MOTOR COMPANY:WEST FORT STREET:DETROIT:18609:US'
NAD+DT++Declarant::Declarant location'
NAD+BA+DKL:ZZZ'
RFF+CR:FS14121900000125'
CTA+IC+:FS'
COM+4940370030:TE'
COM+4940123456:FX'
COM+TEST@COMPANY.DE:EM'
GID+1+1:C4'
FTX+AAA+++AUTO PARTS'
FTX+MKS+++1'
MEA+AAE+G+KGM:349'
SGP+FSCU9131730::5'
PCI+24+Marks and numbers'
GID+1+1:KL'
FTX+AAA+++AUTO PARTS'
FTX+MKS+++1'
MEA+AAE+G+KGM:349'
PCI+24+Marks and numbers'
UNT+34+422356600001'
UNZ+1+422180462'

9. Appendix

A Validation of container numbers

1. ISO-container

1.1 Description

An ISO-container will be recognized by means of the alpha-prefixes. Every valid ISO-alpha-prefix is stored in a container BIC code file. Even container numbers with alpha-prefixes SUDU, HLCU and MMCU are considered as ISO-container, although the reference number of these varies from ISO-standard.

1.2 Container-BIC-codes

You can find this container-BIC-codes on the DAKOSY website in the internet as Adobe-reader-file.

- Address: <http://www.dakosy.de>
- Press **Kunden-Services (customer service)**
- Press **Schlüsselverzeichnisse (code key)**
- Press **BIC code container-prefix**

2. Sent container

2.1 Container without shipper's-own indicator

You have to pass validation error free (as described above under ISO-container), otherwise the message will be rejected with an error code.

2.2 Shipper's-own container

If a container, identified as shipper's own, has got an alpha-prefix that is contained in the container BIC-code file or is called SUDU, HLCU, MMCU, a checking takes place (as described above under ISO-container). 10-digit containers with the pre-fixes OWHU and APLU (even if existing in the BIC-code file) will be let out as shipper's own-container without checking. All other containers pass under shipper's own without being checked.

Exception: Container numbers with ISO-prefix, whose calculated check digits are at variance with the actual check digit of the container (e.g. due to the modification of the container no.). Those can be reported to DAKOSY. Even the container numbers may be reported via fax, in order to confirm DAKOSY about the actual correspondence between the container and the marked number.

3. Check algorithms

3.1 Structure of container numbers

```

xxxxx nnnnnnnn p
!      !      !
!      !      +----- Check digit
!      !
!      +----- Serial number(numeric part)
!
+----- Code of owner(alpha prefix)
    
```

3.2 Check digit calculation as per ISO

All characters (except check digits) within the container number are assigned to a value according to the table.

Code of owner				Serial number
Charact.	Value	Charact.	Value	Value = Charact.
A	10	N	25	0
B	12	O	26	1
C	13	P	27	2
D	14	Q	28	3
E	15	R	29	4
F	16	S	30	5
G	17	T	31	6
H	18	U	32	7
I	19	V	34	8
J	20	W	35	9
K	21	X	36	
L	23	Y	37	
M	24	Z	38	

Each digit is multiplied by two to the power of the digits position within the number decremented by one. All results will be added and the sum will be divided by 11. The remainder gives the check digit, whereas the rest of 10 gives the check digit 0.

Example: Container number: GSTU4607003

Digit	Code of owner				Serial number						S U M
	1	2	3	4	5	6	7	8	9	10	
1. Container no.	G	S	T	U	4	6	0	7	0	0	
2. Value of charact.	17	30	31	32	4	6	0	7	0	0	
3. Power of two	1	2	4	8	16	32	64	128	256	512	
Result (2. * 3.)	17	60	124	256	64	192	0	896	0	0	1609

$1609 / 11 = 146,27$ or $146 + \text{remainder } 3 \text{ <==== check digit}$

3.3 Deviating check of ISO

These containers will be recognized by the prefix (code of owner) and have got a modified check digit calculation.

3.3.1 SUDU-Container

In case of containers with prefix SUDU and a serial number from 214500 to 214699, the check digit as per ISO will be calculated first and then 1 of this subtracted. The check digit calculation as per ISO applies for containers outside the serial number.

3.3.2 HLCU-Container

The valuation of the characters H, L, C and U in the lookup table (see 4.2) will be changed for containers with the prefix HLCU into:

H	=	4
L	=	0
C	=	2
U	=	9

The further calculation of the check digit is equivalent to the ISO standard.

3.3.3 MMCU-Container

Container numbers with the prefix MMCU and a serial number from 200000 to 200500 will firstly be validated as per ISO standard. If the validation fails the valuation of the characters M, C and U in the lookup table (see 3.2) changes into:

M	=	13
C	=	3
U	=	21

This circumstance derives from the fact that the MMCU-container within this serial numbers was under conversion from the special SUDU-check digit calculation to the ISO-check digit calculation.

All other MMCU-container check digits with a serial number outside the range will be calculated as per ISO only.

B Structure and checking of the Movement Reference Number (MRN)

The following table describes the composition of the MRN. Following advice:

The German MRN varies from European standard in digits 5-16 (numeric!).

Tabel 1

Digit	Format	Lenght	Description	Example
1.- 2.	an	2	Year	07
3.- 4.	an	2	ISO-alpha country code	CH
5.-17.	an	13	Identified number	0000000123456
18.	an	1	Check digit	2

1.1 Calculation of the check digit ISO 6346

A numeric value will approximately be allocated to each character of the MRN. Table 2 shows the defined allocation:

Table 2

ASCII character	0	1	2	3	4	5	6	7	8	9
Assigned digit	0	1	2	3	4	5	6	7	8	9

ASCII character	A	B	C	D	E	F	G	H	I	J	K	L	M
Assigned digit	10	12	13	14	15	16	17	18	19	20	21	23	24

ASCII character	N	O	P	Q	R	S	T	U	V	W	X	Y	Z
Assigned digit	25	26	27	28	29	30	31	32	34	35	36	37	38

A factor will be allocated to each value of the respective MRN position, after the conversion of the MRN in numeric values. Each numeric value must be multiplied with the respective factor. Table 3 shows the respective allocation (MRN position: factor):

Table 3

MRN-digit	Factor
1.	1
2.	2
3.	4
4.	8
5.	16
6.	32
7.	64
8.	128
9.	256
10.	512
11.	1024
12.	2048
13.	4096
14.	8192
15.	16834
16.	32768

Calculation of the factor:

The factor of the first digit receives the value 1.

All subsequent factors will be formed by the duplication of their previous factor:

Example:

Factor (9. digit) = factor (8.digit) + factor (8.digit)

$$256 = 128 + 128$$

Example:

MRN: 07DE965600222604E (without check digit)

The numeric value for the 4. digit is „15“ (table 2), the respective factor „8“ (table3):

$$15 \times 8 = 120$$

17.	65536
-----	-------

All products (17) will be summed up (table 4).

Table 4

MRN-digit	MRN	Table 2	Factors	Products
1.	0	0	1	0
2.	7	7	2	14
3.	D	14	4	56
4.	E	15	8	120
5.	9	9	16	144
6.	6	6	32	192
7.	5	5	64	320
8.	6	6	128	768
9.	0	0	256	0
10.	0	0	512	0
11.	2	2	1024	2048
12.	2	2	2048	4096
13.	2	2	4096	8192
14.	6	6	8192	49152
15.	0	0	16834	0
16.	4	4	32768	131072
17.	E	15	65536	983040
Sum				1179214

The sum has to be divided by 11.

$$1179214 : 11 = 107201, 27272727$$

Finally the remaining quantity will be formed. The remaining quantity value gives the check digit (exception = value 10, see table 5).

11 x 107201 = 1179211,
the remaining quantity of 1179214 is 3 (= check digit).

Complete MRN: 07DE965600222604E3

Table 5

Rem. quan.	10	9	8	7	6	5	4	3	2	1	0
Check digit	0	9	8	7	6	5	4	3	2	1	0

1.2 Additional checking

The checking for some countries has been aggravated in the check routine for MRNs (EDIMRNR1).

Country	Validation
CZ	Digit 11 „2“
DK	Digit 11 „2“
EE	Digit 11 „8“
ES	Digit 11 „1“
HU	Digit 11 „2“
LT	Digit 11 „2“
SK	Digit 9 „EX“
ST	Digit 11 „2“