

EDI

GM01 – Presentation notification

ZAPP – specific additions and comments to the EDIFACT-Guide „The Electronic Export Declaration“

User manual

Version 5.4.1/E

(Valid from July 2023)

DAKOSY
Datenkommunikationssystem AG

Mattentwiete 2
20457 Hamburg
www.dakosy.de

Phone: + 49 40 37003 - 0
info@dakosy.de

Change history

Version	Reason, concerned section	Changed by/ date	Checked by/ date
1.0/E	Compilation of the document	W. Siebert, 24.02.1997	V. Erdelbrock, 27.02.1997
1.1/E	Revision concerning the forwarding to the shipowner/ line agent	W. Siebert, 29.04.1997	V. Erdelbrock, 30.04.1997
2.0/E	Complete revision	Gladiator/Quade 11.09.1997	V. Erdelbrock 18.09.1997
2.0/E	Corrections	Gladiator/Quade 28.01.1998	V. Erdelbrock 28.01.1998
3.0/E	Complete revision	Gladiator/Quade 30.03.1998	V. Erdelbrock 31.03.1998
3.0/E	Segment 29 D replaced by R	Gladiator/Quade 11.06.1998	V. Erdelbrock 11.06.1998
3.0/E	Addition of SACO-presentation	Gladiator/Quade 16.07.1998	V. Erdelbrock 16.07.1998
3.0/E	Modification segment 10 LOC	Gladiator/Quade 11.11.1998	V. Erdelbrock 11.11.1998
3.1/E	Diverse modifications/ conversion to WORD 97	Stubbe/Quade 13.07.1999	V. Erdelbrock 13.07.1999
3.1/E	Layout corrections	M. Quade 06.01.2000	V. Erdelbrock 08.01.2000
3.2/E	Layout corrections UMF- message Pages: 36,41,42,44,52,54,58 Omission of KWW and VAK Page: 42	K.Papist 14.05.2001 K.Stubbe 31.07.2001	
3.3/E	New fields and revision in the context of „new declaration cases“	12.11.2002 K.Stubbe/K.Papist	
3.3.1/E	Entry version of GM01 Page: 31 (DE 1000)	K. Stubbe 27.01.03	K.Stubbe 27.01.03
3.3.2 /E	Revision table mandatory field validation	K. Stubbe 05.02.03	K.Stubbe 05.02.03

Version	Reason, concerned section	Changed by/ date	Checked by/ date
3.3.2 D	Corrections reference length of presenter in data element list	C. Wegner 09.02.2003	
3.4 D	Layout corrections	K.Soltys 20.04.2004	D.Gladiator
3.5 D	Country of dispatch must be located in the EU for AAM, DAK, MOW	K.Soltys 30.11.2004	D.Gladiator 30.11.2004
3.6	Valid from 01.08.2006 Consignment note-no. / MRN-no. of consignment (not to be confused with the MRN of the export procedure), replaces the presentation booking no. –entered; VuB redefined in „Gemeinsames Veterinärdocument für die Einfuhr (GVDE)“ / (Joint vet document for import) Entry of status of B-no. in segment RFF. Entry transmission Chassis – No in segment SG13 FTX	C. Wegner 22.05.2006	C. Wegner 22.05.2006
	Compilation of V1.1 HB presentation notification for ATLAS AES www.ZAPP-Hamburg.de -Dokumente – ZAPP-Gestellungsmittelung – GM01 für AES Fälle		
4.0/E	Modifications of contact data of the sender as of 01.09.2008 (test as of 01.07.2008)	C.Wegner 29.07.2008	C.Wegner 29.07.2008
4.1/E	Addition of formatting rules for Chassis-No and example	C.Wegner 01.08.2008	C.Wegner 01.08.2008
5.0/E	From the 01.10. 2009: customs declaration AKM, AAM are cancelled, AUS is new. From the 01.11.2009: new field 167 – indicator equipment in case of car-loading added From the 01.11.2009: Addition field 092 – chassis number	C.Wegner 31.08.2009	C.Wegner 31.08.2009
5.1/E	Correction Detail list for ZAPP regulation concerning ZAPP Kind of declaration “AUS”	C. Wegner 19.10.2009	C. Wegner 19.10.2009
5.2/E	New declaration type MIT; deletion of declaration types DUL, DUS and EXP as of 1.1.2011	F. Schwanke 20.7.2010	
5.3/E	Status for MRN of entry summary declaration (ENS) and ATB no. changed; Notes/ comments to RFF+EXS and RFF+ENS revised	F. Schwanke 05.11.2010	
5.4/E	Cancellation of all information concerning declaration types DUL, DUS/ EXP and MOW, since they no longer apply. Update of information concerning declaration type MIT in segment GIS (declaration type) and appendix C.	J. Diettrich 07.03.2011	F. Schwanke 07.03.2011
5.5/E	Update of chapter 8.1 and 8.2: Table of data fields and explanations, update of appendix C: Information range of declaration type MIT	J. Diettrich 27.09.2011	F. Schwanke 27.09.2011

Version	Reason, concerned section	Changed by/ date	Checked by/ date
5.5.1/E	Layout and design changes	J. Diettrich 24.02.2012	F. Schwanke 24.02.21012
5.5.2/E	Cancellation of all information concerning declaration type DOK. Addition of declaration type UMS The term “direct transshipment” (direct delivery) has been changed to “outboard loading”, because it left room for misunderstandings	J. Diettrich 28.11.2013 14.03.2014	F. Schwanke 28.11.2013 14.03.2014
5.5.3/E	- Addition of comment concerning the declaration type “UMS” in the introduction - Revision of table 8.1 (in particular the fields gross and net weight) and information concerning the declaration type UMS (comment 20) and SAC (comment 21) in chapter 8.2	J. Diettrich 13.01.2015	S. Lembke 13.01.2015
5.4.0/E	Changes in segment RFF: 2-hour period for B-numbers does no longer apply	J. Diettrich 31.07.2017	S. Lembke 31.07.2017
5.4.0/E	Removal of HANU check: 9. Appendix, A, chapter 1.1, 2.2, 3.3.3 Removal of declaration types “UMS” and “AEM”	J. Diettrich 20.10.2020	K. Stanislaus 20.10.2020
5.4.1/E	The field Fax no. is not mandatory anymore > addition of new COM segment (SG11/CTA-COM)	J. Diettrich 20.07.2023	K. Stanislaus 20.07.2023

Change requests

DAKOSY

Datenkommunikationssystem AG

Mattentwiete 2

20457 Hamburg

1. Telefon: + 49 40 37003 - 0
2. E-Mail: info@dakosy.de

Used tools

Number	Used tools
W1	This document was produced with the word processing programme MS Word 2021 .

Liability

1. Please note that no liability claims can be derived towards DAKOSY AG for the content of this manual, despite careful developing and examination of this document.

Table of contents

1. Introduction	6
2. Conception and usage of this manual.....	7
3. DAKOSY-Frame while sending and receiving data.....	8
3.1 The initialisation record	9
3.2 The sign-on-record	10
3.3 The completion record	11
3.4 The receipt record	12
3.5 The reference confirmation record	13
3.6 The reference confirmation record with B-number	14
4. Service segment	16
4.1 Formatting rules for data transmission.....	16
4.2 Explanations to the message structure	17
4.3 Implementation / Guideline Information	19
5. Branching diagram	20
6. ZAPP Specifics	26
7. Allocation of ZAPP GM01 fields to EDIFACT segments	69
8. List of data fields and corresponding validations	71
8.1 Table of data fields	71
8.2 Explanations to the table of data fields.....	72
9. Appendix	74
A Validation of container numbers.....	74
B Binding regulations for the entry of customs-relevant data of the HDS / presentation notification (GM01)	78
C Information range of declaration type MIT (message/notification)	79

1. Introduction

The economic structures of the Hamburg port and in particular the procedures of the involved business circles have changed very much since the implementation of the commonly named declaration procedure (delivery of a copy of the shipping note as presentation notification **and** reference of the export document) for the simplified delivery of presentation notifications. The documented processing to deliver presentation notifications does no longer correspond with current requests of the participants. This causes significant time deficits at customs (HZA-free port), which increasingly lead to the fact, that customs administration will be informed about the process not until the seaside removal of goods. The current complicated documentation impedes the development of businesses, since they have to make up handbook presentation notifications to customs (so far in the form of shipping notes) besides the automatic processes.

On this account the DV-procedure ZAPP (**Z**ollausfuhrüberwachung im **P**aperless **P**ort/ customs export control at paperless port), based on electronic networking, was created in order to provide customs issues at the export control without obstructing the quick exportation procedure at port.

Goods are considered to be provided if customs office of exit is being informed where the goods, upcoming to export, are situated and prepared for an examination by customs. By now the presentation notification is defined as transmission of a respective record set (GM01 or HDS) to the ZAPP system.

The present module **GM01 – presentation notification** describes the organisational principles and composition of the respective EDIFACT-message, which becomes important in relation to the EDI-computerized transmission of presentation data for the HZA free port.

The module includes the traffic direction **sending** as well as **receiving** and is equally addressed to the initiator of the sending (exporter, forwarder, misc. service provider) and the receiver of the sending (HZA-free port).

General principles for the communication with DAKOSY are stored in the handbook module „Allgemeiner Teil“ (general part), thus they are not a component of this handbook.

To get an overview about the modifications, which emerged from the changes of the export procedure by implementing [ATL@S](#) AES, please refer to handbook

www.ZAPP-Hamburg.de -Dokumente – ZAPP- Gestellungsmitteilung – GM01 für AES Fälle.2.

Konzeption und Verwendung dieses Handbuchs.

2. Conception and usage of this manual

The present manual describes in which segments, resp. data elements of the EDIFACT message CUSCAR (Customs Cargo Report), the required information for the presentation notification shall be pictured.

Thereby ZAPP AES-specific advices and amendments are at the very fore.

For the actual structure or construction of the prior EDIFACT-message, we refer to the description „The Electronic Export Declaration“ (Final Draft, 1997), passed by DIN, enclosed in C as part of this manual.

To realise the presentation notification GM01 it is recommended to create the fundamental structure of the EDIFACT message by following the description in encl. B and add ZAPP AES-specific amendments (described in this manual) afterwards.

3. DAKOSY-Frame while sending and receiving data

The actual EDIFACT-message or presentation notification must additionally be „packed“ with what is known as DAKOSY-frame.

This is mandatory in order that the presentation notification can be processed in the DAKOSY-system.

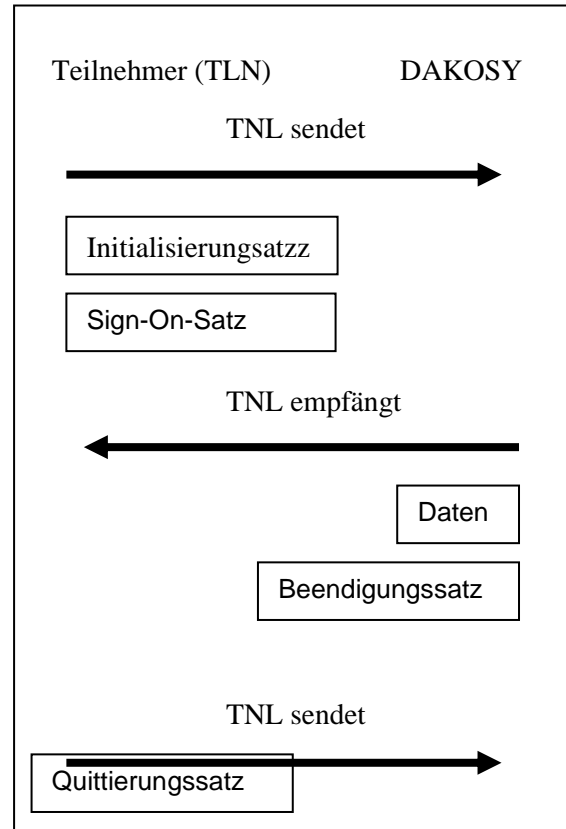
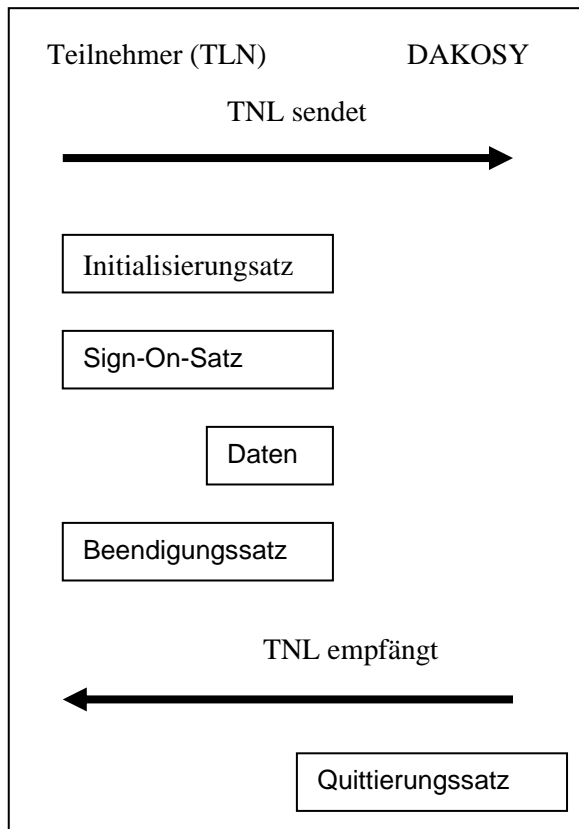


Abbildung A: Sitzungs Aufbau beim Senden von Daten an DAKOSY

Abbildung B: Sitzungs Aufbau beim Empfangen von Daten von DAKOSY

General principles for the communication with DAKOSY are stored in the manual module „Allgemeiner Teil“ (general part), thus they are not a component of this manual.

3.1 The initialisation record

A transmission sequence (session) does always start with an initialisation record, which signifies the sign-in for the communication with DAKOSY. The participant must send the 80-digit record set with the constant „DAKO“ at position 1 to 4.

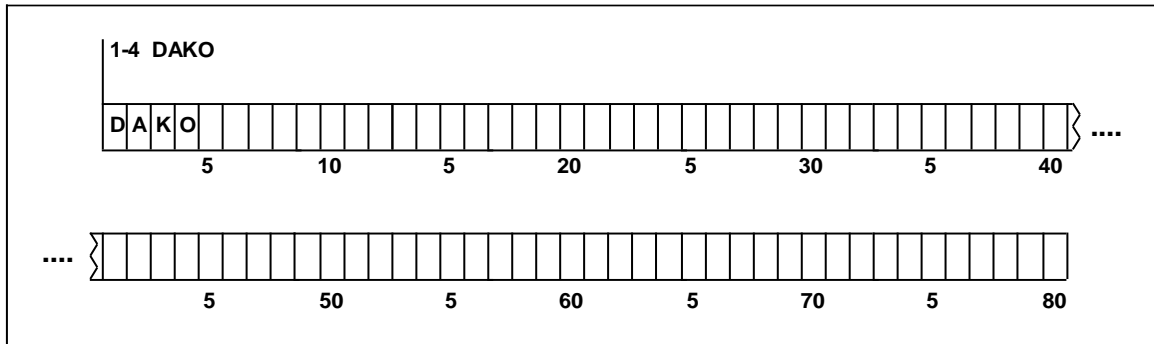


Abbildung 1

- Digit 01 - 04 DAKO
- Digit 05 - 80 blank / space (hex. 40)

3.2 The sign-on-record

The SIGN-ON-record is always the second 80-digit record set in a transmission sequence (session). It contains specifications about the required transaction type (GM01), the direction of traffic (sending or receiving) and the participant identification. Please look at the DAKOSY-code key to get the meaning of individual keys.

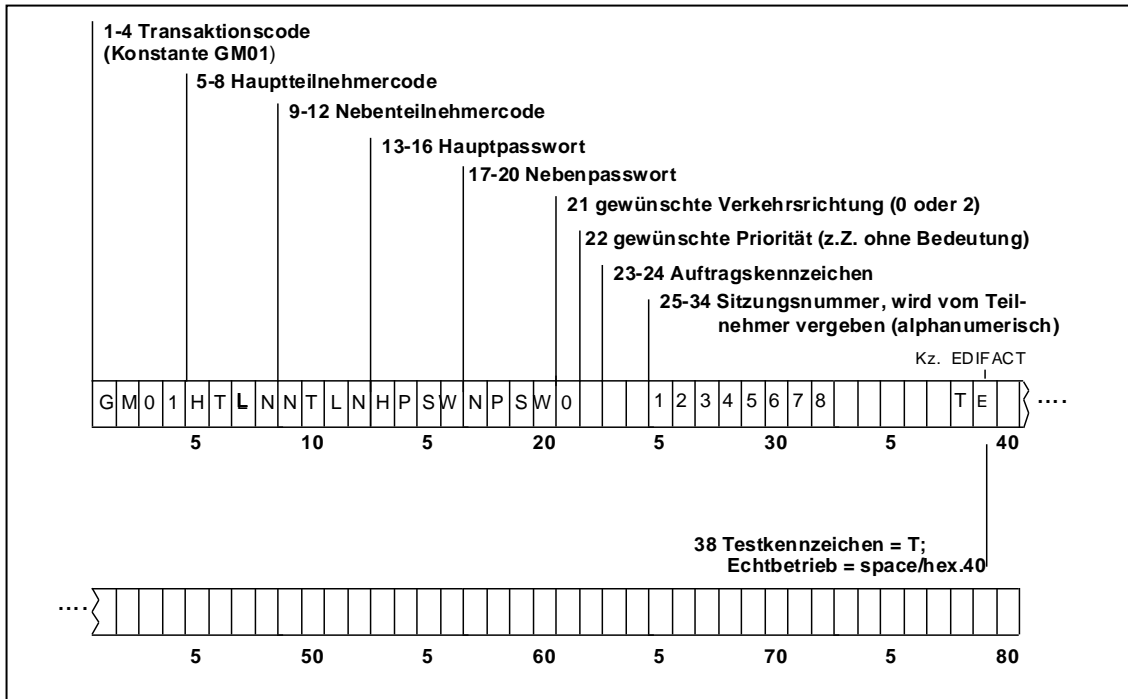


Abbildung 2

- Digit 01 – 04 Transaction code (constant GM01)
- Digit 05 - 20 Participant identification
- Digit 05 - 08 Main participant- Code
- Digit 09 - 12 Sub participant- Code
- Digit 13 - 16 Main keyword
- Digit 17 - 20 Sub keyword
- Digit 21 - 21 required traffic direction (0 or 2)
- Digit 22 - 22 required priority (irrelevant at present)
- Digit 23 - 24 Code of order
- Digit 25 - 34 Session no., assigned by participant (alphanumeric)
- Digit 35 - 37 free
- Digit 38 - 38 Test code (Test. = T, real operation= space / hex. 40)
- Digit 39 - 39 Ind. EDIFACT = „E“
- Digit 40 - 80 free

3.3 The completion record

A transmission sequence has to be completed with a completion record, which causes a logical interruption of the connection.

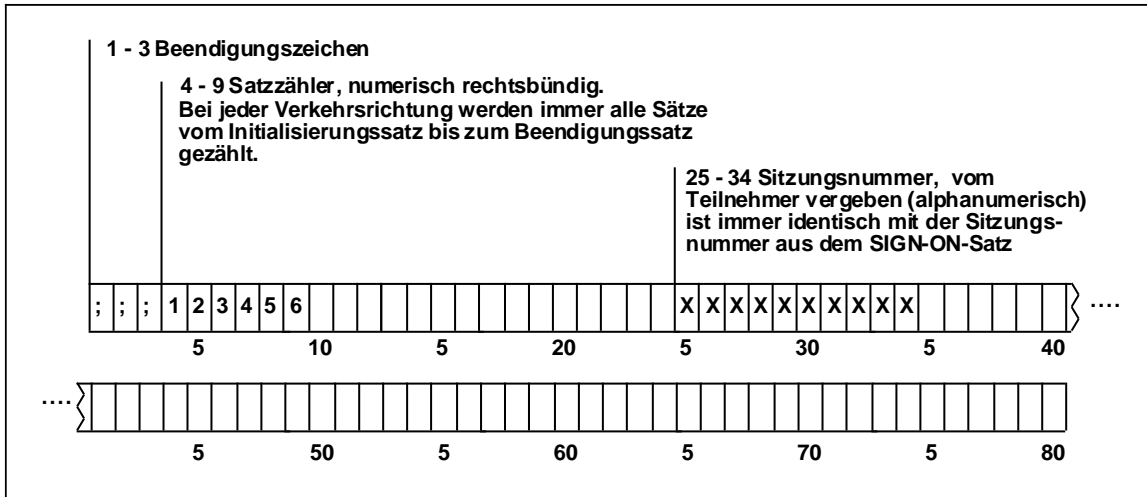


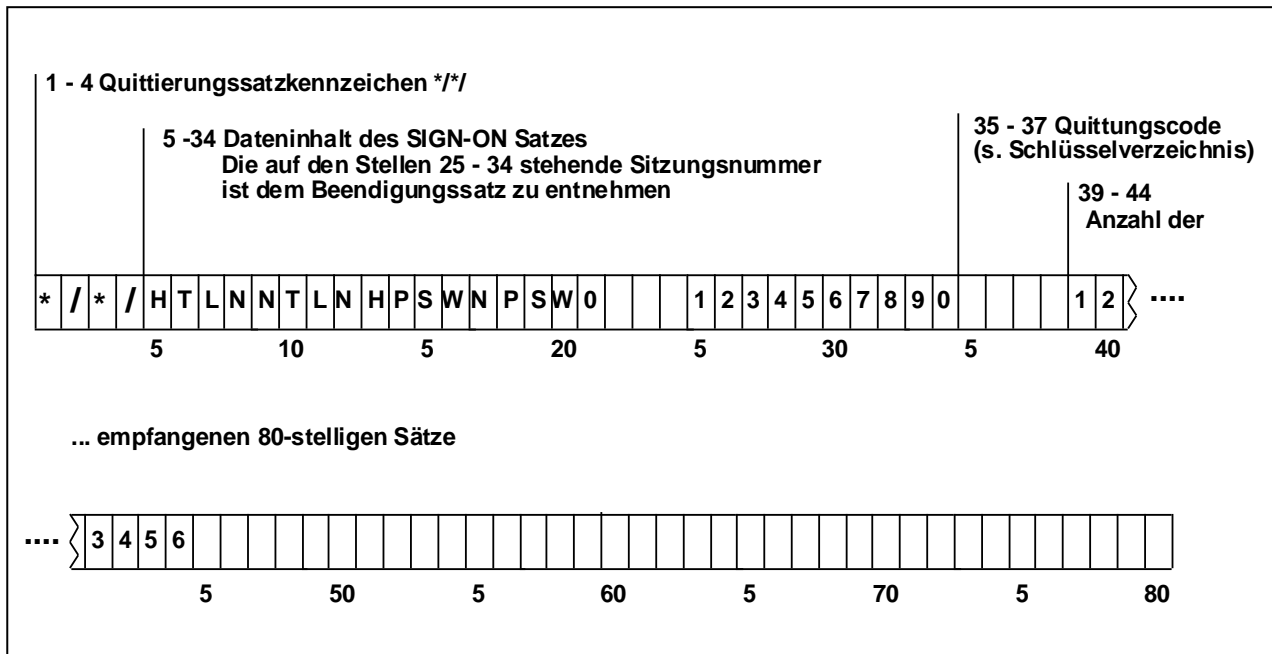
Abbildung 3

- Digit 01 - 03 Completion mark (constant ;;;)
- Digit 04 - 09 Record counter, numeric right-aligned as number of corporal transferred 80-digit records. All records (from initialisation- to the completion record) are numbered at each traffic direction
- Digit 10 - 24 Blank space
- Digit 25 - 34 Session no., assigned by participant.
The session no. (when sending or receiving data) is always identical with the session no. of the sign-on-record.

It must be guaranteed, that (in the whole transmission sequence) the completion constant „;;;“ in the record set in place 1 to 3 solely appears in the completion record.

3.4 The receipt record

A sending sequence will always be acknowledged by the respective participant with the receipt record. The receipt record without receipt code (initial state: "blank/Space" (hex 40)) will acknowledge the proper takeover of data, or the storage in the receiving system to the sending participant. The receipt code will be sent, if an error has been recognized during transaction (e.g. error code 001 = initialisation record incorrect or not sent). It contains:



- Digit 01 - 04 Indicator receipt record */*/
- Digit 05 - 34 Data content of SIGN-ON-record.
The session number stated on positions 25-34 must be taken from the completion record.
- Digit 35 - 37 Receipt code (see code key)
- Digit 38 - 38 Test indicator
(Test mode = T, real operation = Space/blank hex. 40)
- Digit 39 - 44 Number of corporal received 80-digit records

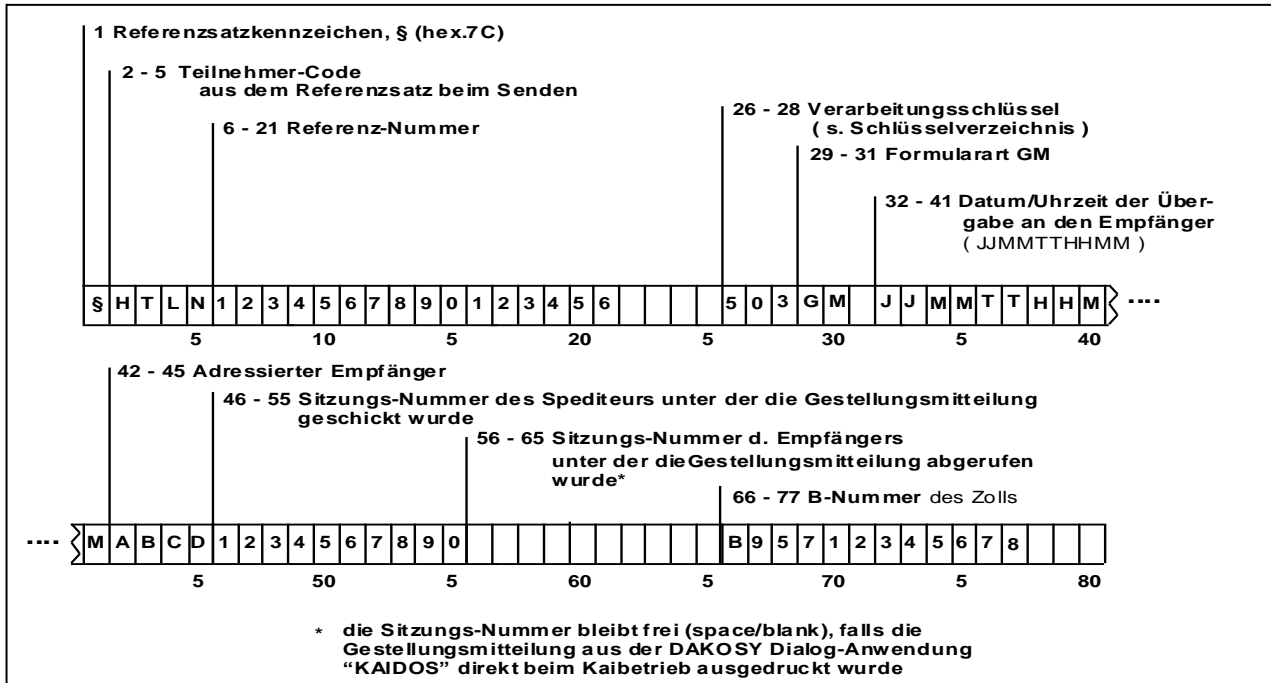
During recalling the DAKOSY data the participant immediately obtains a receipt record with the corresponding receipt code, in lieu of data, if DAKOSY already noticed an error in the initialisation or sign-on record (e. g.: wrong keyword or wrong traffic direction).

3.6 The reference confirmation record with B-number

(Transmission confirmation with B-number)

This sending confirmation with B-number is provided by DAKOSY for the sender of the HDS during the transaction DY01 (HDS). It serves to confirm the correct communication with ZAPP and to transfer B numbers.

This reference confirmation record will be provided to recall by the sender immediately after the correct incoming of a HDS at DAKOSY/ZAPP.



- Digit 01 Reference record code (§ = hex. 7C)
- Digit 02 - 05 Participant code from the reference record from the transmission
- Digit 06 - 21 Reference number
- Digit 22 - 25 not used
- Digit 26 - 28 Processing key (here 503)
- Digit 29 - 31 Type of form GM
- Digit 32 - 41 Date/time of the delivery to the receiver (JJMMTT/HHMM)
- Digit 42 - 45 Addressed receiver (here ZAPP)
- Digit 46 - 55 Session number of the forwarder, under which the presentation notification has been sent
- Digit 56 - 65 Session number of ZAPP, under which the presentation notification has been recalled

Continuation

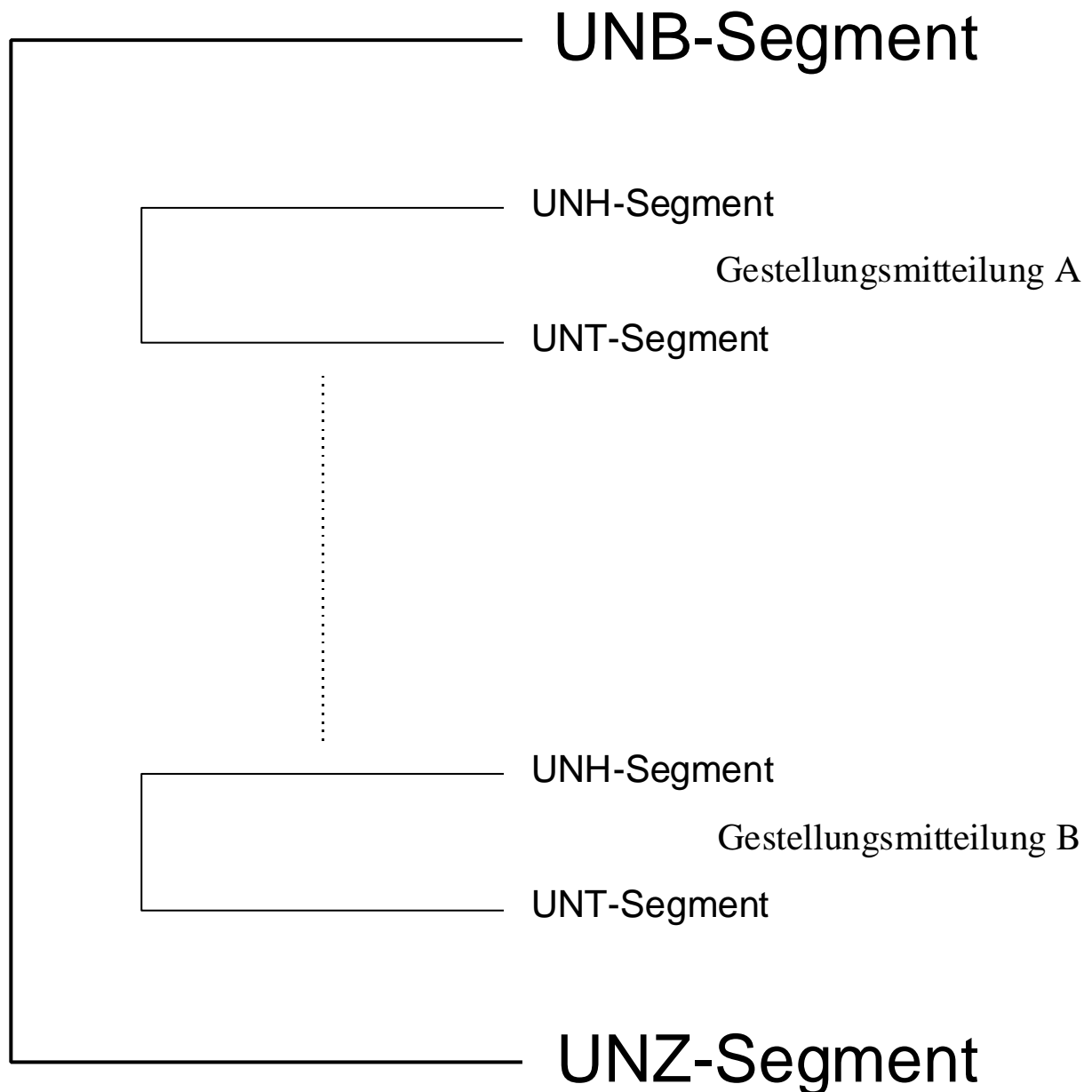
-Digit 66 - 77

ZAPP reference (here Z-number), under which the presentation notification has been registered at ZAPP. This reference will also be transferred to the addressed terminal and the addressed line agent/ ship owner.

4. Service segment

4.1 Formatting rules for data transmission

The universal form of interchange looks as follows:



The physical interchange is limited by the segments UNB and UNZ.

4.2 Explanations to the message structure

Counter	No	Tag	St	MaxOcc	Level	Content
0000	1	UNA	C	1	0	SERVICE STRING ADVICE
0000	2	UNB	R	1	0	Interchange Header
0010	3	UNH	R	1	0	Message header segment.
0020	4	BGM	R	1	0	Beginning of message
0030	5	DTM	R	1	1	Date of transmission
0040	6	RFF	D	1	1	B number
0050		SG1	R	1	1	NAD
0060	7	NAD	R	1	1	Name and address ZAPP-participant (sender of data)
0110		SG3	R	1	1	TDT-LOC-DTM
0120	8	TDT	R	1	1	Voyage no. (agent), DAKOSY-vessel departure no., call sign (vessel), name of vessel.
0130	9	LOC	R	1	2	DAKOSY-terminal code
0140	10	DTM	D	1	2	Vessel date of departure
0150	11	GIS	O	1	1	Indicator outboard loading
0280		SG6	R	1	1	CNI-SG7
0290	12	CNI	R	1	1	Consignment data
0310		SG7	R	1	2	RFF-LOC-LOC-LOC-GIS-SG8-SG10-SG10-SG10-SG10-SG10-SG13
0320	13	RFF	R	1	2	Number of export declaration; ATB-number; Reference number of previous customs declaration, book. no. of presentation.
0350	14	LOC	R	3	3	Country of destination
0350	15	LOC	D	3	3	Country of origin/ dispatch/ departure
0350	16	LOC	O	3	3	Customs office of export
0360	17	GIS	D	1	3	Declaration type
0390		SG8	R	1	3	TDT-LOC
0400	18	TDT	R	1	3	Voyage no. (agent), call sign (vessel), name of the vessel
0410	19	LOC	R	1	4	Port of discharge-code and port of discharge
0470		SG10	R	1	3	NAD-RFF-RFF-SG11
0480	20	NAD	M	1	3	Line agent
0500	21	RFF	C	1	4	Booking number
0500	22	RFF	R	1	4	Reference of the presentor/ forwarder
0510		SG11	R	1	4	CTA-COM-COM
0520	23	CTA	R	1	4	Official in charge (presentor, declarant or forwarding agent)
0530	24	COM	R	2	5	Communication contact
0530	25	COM	O	1	5	Communication contact
0470		SG10	O	1	3	NAD
0480	26	NAD	M	1	3	Shipping company
0470		SG10	D	1	3	Consignee
0480	27	NAD	R	1	3	Consignee
0470		SG10	D	1	3	Shipper
0480	28	NAD	R	1	3	Shipper

Counter	No	Tag	St	MaxOcc	Level	Content
0470		SG10	D	1	3	Declarant; information about the company presenting the declaration
0480	29	NAD	R	1	3	Representative/ authorizes representative; company presenting the declaration
0500	30	RFF	R	1	4	Reference of annex 30A data
0570		SG13	R	999	3	GID-FTX-MEA-MOA-SGP-PCI-CST-SG14
0580	31	GID	R	1	3	Number and type of packages, code and type of packages (long)
0610	32	FTX	R	99	4	Position no. of export declaration (AM), Goods description, Special notes
0620	33	MEA	R	2	4	Net weight/ gross weight
0630	34	MOA	O	1	4	Statistic value
0640	35	SGP	D	1	4	Equipment allocation of goods to container no.
0660	36	PCI	D	1	4	Characters and numbers (marks)
0670	37	CST	D	1	4	Market organisation indicator and statistical number
0680		SG14	D	1	4	GIS-DOC
0690	38	GIS	R	1	4	Market organisation goods
0700	39	DOC	C	1	5	Registration- / reference number / VUB-paper
0780	40	UNT	R	1	0	Message trailer
0000	41	UNZ	R	1	0	Interchange final segment

4.3 Implementation / Guideline Information

The segments are being represented by a universal diagram.

Example:

		TDT			Schiffsname, Reisennummer-Reeder, Funkrufzeichen	
0470	42	1	R	1	1	
		Standard	Implementation			
Bez	Name	St Format	St Format	Anwendung / Bemerkung		
TDT						
8051	Transportstrecke/-abschnitt, Qualifier	M an..3	R an..3	20 Hauptlauf		
8028	Beförderungsnummer	C an..17	O an..17	Hier kann die Reisennummer des Reeders angegeben werden.		
C220	Art des Transportes	C	O			
8067	Transportart, codiert	C an..3	O an..3	1 Maritime transport		
8066	Transportart	C an..17	O an..17			
C228	Transportmittel	C	O			
8179	Art des Transportmittels, Identifikation	C an..8	O an..8	11 Schiff 13 Seeschiff		
8178	Art des Transportmittels	C an..17	O an..17			
C040	Frachtführer	C	O			
3127	Frachtführer, Identifikation	C an..17	O an..17			
1131	Codeliste, Qualifier	C an..3	O an..3	172 Frachtführer-Code		

The first (main) column „EDIFACT“ with its 3 sub-columns describes the structure of the used EDIFACT message. The identifier/number of the respective composite or data element is indicated in the first column, the corresponding meaning/name is indicated in the second column and the third column refers to the usage and format.

The second (main) column „application“ with its 3 sub-columns describes how to use the respective composites and data elements for the GPO.

The first column ST = Status means:

- **M (Mandatory) or R (Required)**

The M will be adopted in this column, if a composite or data element is already mandatory (**M = Mandatory**) in the actual EDIFACT message. In other cases the **R = Required** indicates a required field from the B/L applications' perspective.

- **D (Depending)**

The data units have to be transmitted, in case of certain conditions which either are described in the column „Usage/hints“ or derive from the use case. Segment group 32 (Indication of dangerous goods) e.g. carries the status „D“, since the use depends on whether the position/item involves dangerous goods or not.

- **C (Conditional/Optional)**

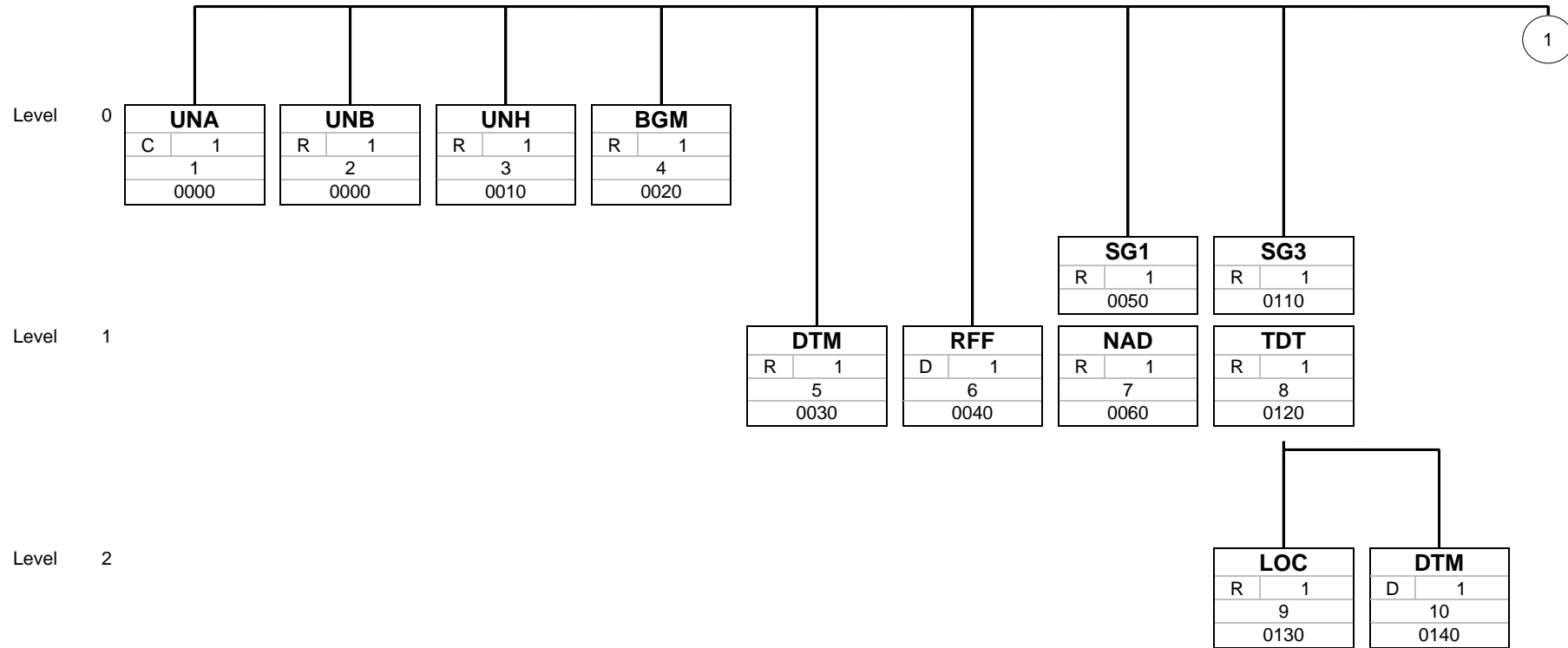
It is up to the message sender to transmit the data units. In case of doubt an individual regulation between sender and recipient has to be agreed.

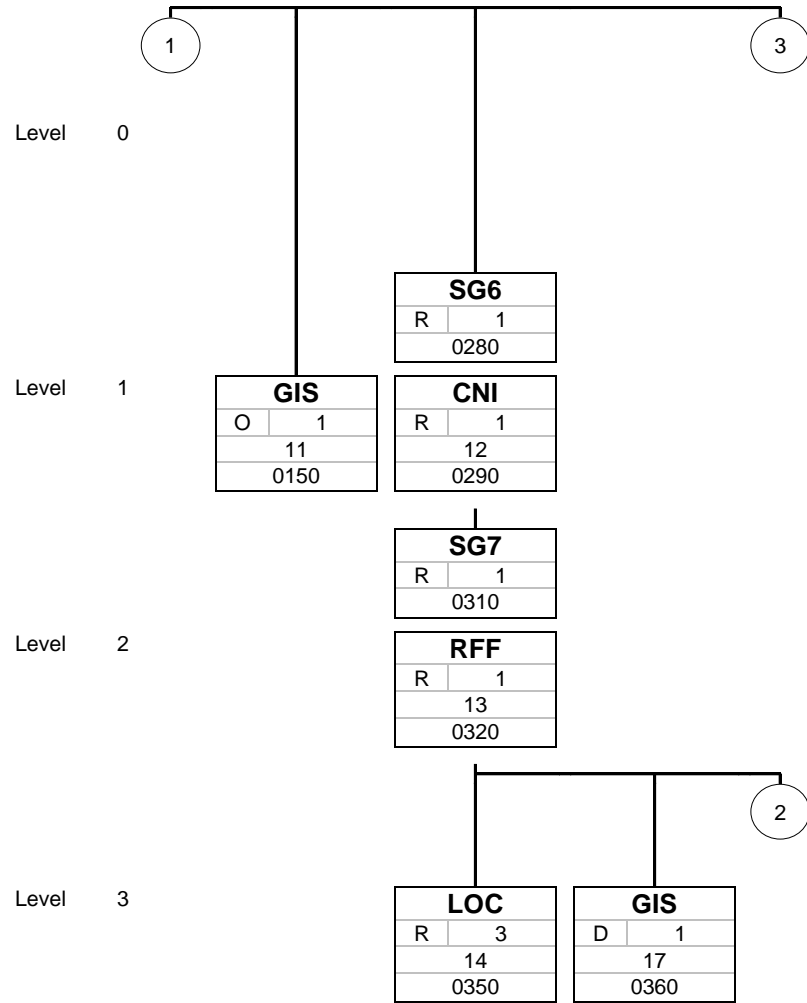
- **X/N (not used)**

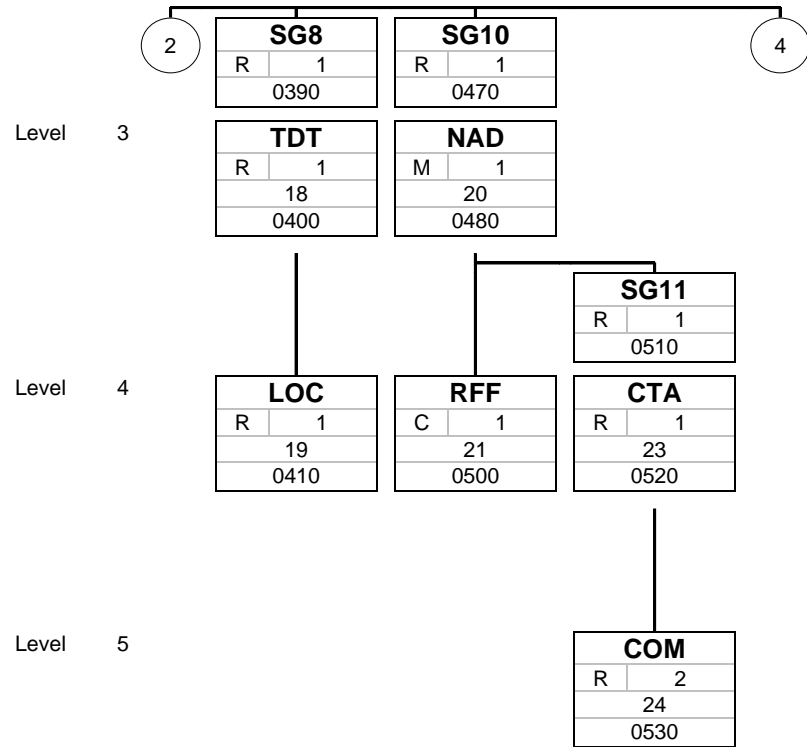
Such identified composites or data elements are not used.

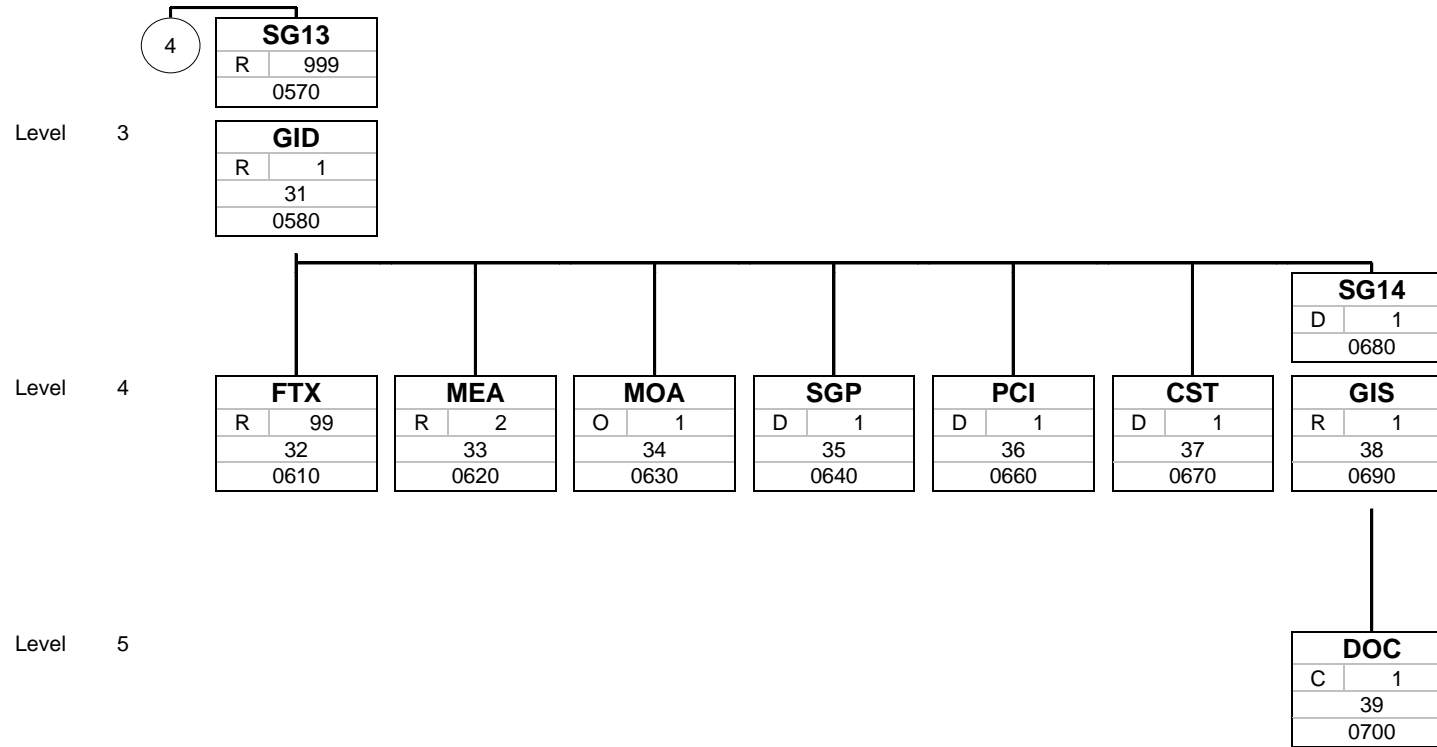
The second column indicates examples to respective data elements and the third column contains important specifications for the usage, such as codes, port-specific conditions or format restrictions.

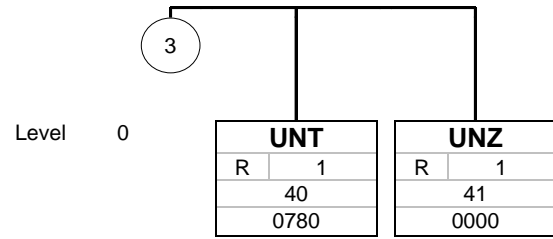
5. Branching diagram











6. ZAPP Specifics

Counter	No	Tag	Var	St	MaxOcc	Level	Name
0000	1	UNA	1	C	1	0	SERVICE STRING ADVICE

Standard			Implementation	
Tag	Name	St Format	St Format	Usage / Remark
UNA				
UNA1	Component data element separator	M an1	M an1	Separates data elements in a group
UNA2	Data element separator	M an1	M an1	Separates data elements, segment identifier
UNA3	Decimal notation	M an1	M an1	Decimal point; to come up to standard you can use both point and comma as decimal point. Decimal points must not be used compositely.
UNA4	Release indicator	M an1	M an1	Enabling signal; restores the primary meaning of the character that follows the interrogation mark
UNA5	Reserved for future use	M an1	M an1	Reserved for subsequent applications
UNA6	Segment terminator	M an1	M an1	Segment-final character (apostrophe), Hex-value 7 D

Remark:

Example:

UNA:+. ? ' |

Counter	No	Tag	Var	St	MaxOcc	Level	Name
0000	2	UNB	1	R	1	0	Interchange Header

Standard			Implementation		
Tag	Name	St Format	St Format	Usage / Remark	
UNB					
S001	SYNTAX IDENTIFIER	M	R		
0001	Syntax identifier	M a4	R a4	UNOA UN/ECE level A UNOB UN/ECE level B UNOA = UN/ECE character set A = capitals UNOB = UN/ECE character set B = caps and lower case letters	
0002	Syntax version number	M n1	R n1	1 Alte version 2 Neue version	
S002	INTERCHANGE SENDER	M	R		
0004	Sender identification	M an..35	R an..35		
0007	Partner identification code qualifier	C an..4	O an..4		
S003	INTERCHANGE RECIPIENT	M	R		
0010	Recipient identification	M an..35	R an..35		
0007	Partner identification code qualifier	C an..4	O an..4		
S004	DATE/TIME OF PREPARATION	M	R		
0017	Date of preparation	M n6	R n6	Format YYMMDD	
0019	Time of preparation	M n4	R n4	Format HHMM	
0020	Interchange control reference	M an..14	R an..14	Please choose a unique, ascending number as reference!	
S005	RECIPIENT'S REFERENCE PASSWORD	C	D		
0022	Recipient's reference/password	M an..14	R an..14	Reference or keyword of the receiver	
0026	Application reference	C an..14	N	Not used	
0029	Processing priority code	C a1	N	Not used	
0031	Acknowledgement request	C n1	N	Not used	
0032	Communications agreement ID	C an..35	N	Not used	
0035	Test indicator	C n1	D n1	1 Interchange is a test 1 = This data exchange is a test	

Remark:

Example:

UNB+UNOA:2+SAB:ZZZ+ZAPP:ZZZ+131227:0920+0404211513+++++1'

Counter	No	Tag	Var	St	MaxOcc	Level	Name
0010	3	UNH	1	R	1	0	Message header segment.

Standard			Implementation	
Tag	Name	St Format	St Format	Usage / Remark
UNH				
0062	Message reference number	M an..14	R an..14	Message reference no.
S009	MESSAGE IDENTIFIER	M	R	
0065	Message type identifier	M an..6	R an..6	CUSCAR Customs cargo report message
0052	Message type version number	M an..3	R an..3	D Draft directory
0054	Message type release number	M an..3	R an..3	96A Version 96A
0051	Controlling agency	M an..2	R an..2	UN UN/ECE/TRADE/WP.4, United Nations Standard Messages (UNSM)
0057	Association assigned code	C an..6	R an..6	DEGM01 Anwendungscode

Remark:

Example:

UNH+UNHREF12345678+CUSCAR:D:96A:UN:DEGM01'

Counter	No	Tag	Var	St	MaxOcc	Level	Name
0020	4	BGM	1	R	1	0	Beginning of message

Standard			Implementation	
Tag	Name	St Format	St Format	Usage / Remark
BGM				
C002	Document/message name	C	R	
1001	Document/message name, coded	C an..3	R an..3	335 Booking request 335 = booking request for transport capacity
1131	Code list qualifier	C an..3	N	Not used
3055	Code list responsible agency, coded	C an..3	N	Not used
1000	Document/message name	C an..35	D an..35	GM01V02 Version02 Leer Version01 Version of GM01; see A
1004	Document/message number	C an..35	R an..35	UNIQUE
1225	Message function, coded	C an..3	R an..3	1 Cancellation 9 Original See B

Remark:

A

GM01V03 = Version 03 (only for AES cases)

See www.ZAPP-Hamburg.de -Dokumente – ZAPP- Gestellungsmitteilung – GM01 for AES cases

B

1 = original:

The complete presentation notification, resp. CUSCAR, that shall be deleted, must be sent again. Thereby the reference of the segment 40 RFF has to be known at DAKOSY and the B-number must not being imposed with a loading stop or used in a HDS.

9 = cancellation: T

he reference, sent in segment 40 RFF, for the forwarder, specified in the NAD, must not be allocated to a ZAPP-reference when creating a file.

Example:

BGM+335:::GM01V02+MSG1234+9'

Counter	No	Tag	Var	St	MaxOcc	Level	Name
0030	5	DTM	1	R	1	1	Date of transmission

Standard			Implementation	
Tag	Name	St Format	St Format	Usage / Remark
DTM				
C507	Date/time/period	M	R	
2005	Date/time/period qualifier	M an..3	R an..3	137 Document/message date/time
2380	Date/time/period	C an..35	R an..35	Date and time
2379	Date/time/period format qualifier	C an..3	R an..3	203 CCYMMDDHMM

Remark:

Example:

DTM+137:201404211513:203'

Counter	No	Tag	Var	St	MaxOcc	Level	Name
0040	6	RFF	1	D	1	1	B number

Standard			Implementation	
Tag	Name	St Format	St Format	Usage / Remark
RFF				
C506	Reference	M	R	
1153	Reference qualifier	M an..3	R an..3	ABT Customs declaration number
1154	Reference number	C an..35	R an..12	B number
1156	Line number	C an..6	R an..6	Transmission of B-no. status, analogous to the Z- or S-number. Example: NRL = not released

Remark:

B-number out of the presentation (via GM01 or HDS, only relevant when forwarding to the ship owner/line agent; NOT USED when transmitting a presentation notification).

A presentation (via GM01 or HDS) is provided for retrieval as copy for the shipowner/line agent in the EDIFACT-message CUSCAR. The prior assigned B-number is provided in segment RFF, mentioned above.

Example:

RFF+ABT:B04101469929:NRL'

Counter	No	Tag	Var	St	MaxOcc	Level	Name
0050		SG1	1	R	1	1	NAD
0060	7	NAD	1	R	1	1	Name and address ZAPP-participant (sender of data)

Standard			Implementation	
Tag	Name	St Format	St Format	Usage / Remark
NAD				
3035	Party qualifier	M an..3	R an..3	MS Dokumenten-/Nachrichtenaussteller bzw. -absender MS = Document-/ message drawer resp. sender
C082	Party identification details	C	R	
3039	Party id. identification	M an..35	R an..4	DAKOSY-participant code

Remark:

Example:

NAD+MS+SAB'

Counter	No	Tag	Var	St	MaxOcc	Level	Name
0110		SG3	1	R	1	1	TDT-LOC-DTM
0120	8	TDT	1	R	1	1	Voyage no. (agent), DAKOSY-vessel departure no., call sign (vessel), name of vessel.

Standard			Implementation	
Tag	Name	St Format	St Format	Usage / Remark
TDT				
8051	Transport stage qualifier	M an..3	R an..3	20 Hauptlauf 20 = main carriage
8028	Conveyance reference number	C an..17	O an..8	
C220	Mode of transport	C	N	
8067	Mode of transport, coded	C an..3	N	Not used
C228	Transport means	C	N	
8179	Type of means of transport identification	C an..8	N	Not used
C040	Carrier	C	D	
3127	Carrier identification	C an..17	D an..7	DAKOSY-vessel departure no. - see A
8101	Transit direction, coded	C an..3	N	Not used
C401	Excess transportation information	C	N	
8457	Excess transportation reason, coded	M an..3	N	Not used
C222	Transport identification	C	D	
8213	Id. of means of transport identification	C an..9	D an..7	Call sign (vessel) - see A
1131	Code list qualifier	C an..3	D an..3	103 Call sign directory - see A
3055	Code list responsible agency, coded	C an..3	N	Not used
8212	Id. of the means of transport	C an..35	D an..35	Vessel name - see A

Remark:

Following alternatives are available for the identification of the vessel:

A: Specification of the DAKOSY-vessel departure no. (TDT, C040, DE 3127). Further particulars aren't required, because all information of the central DAKOSY-vessel departure file will be added automatically.

B: Specification of the call sign (TDT, C222, DE 8213), departure no. (segment 11 DTM, DE 2380) and agent's codes (segment 38 NAD, qualifier BA, DE 3039). An adjustment with the vessel departure file will be made and specifications will be added, if applicable.

C: Specification of the vessel name (TDT, C222, DE 8212), date of departure (segment 11 DTM, DE 2380) and agent's codes (segment 38 NAD, Qualifier BA, DE 3039). An adjustment with the vessel departure file will be made and specifications will be added, if applicable.

D: Specification of the vessel departure no. "XXX9999" (TDT, C040, DE 3127), vessel name(C222, DE8212), date of departure (Segment 11 DTM, DE 2380) and agent's codes (Segment 38 NAD, Qualifier BA, DE3039). The vessel departure no. "XXX9999" shall only be used, if the exact spelling of the vessel name , resp. the exact date of departure are unknown. An adjustment with the vessel departure file will be made and specifications will be added, if applicable.

Validity checks: Specifications of the respective alternatives will be verified by means of the central DAKOSY-vessel departure file. The announcement will be rejected, if an error occurs- except for alternative D.

Example:

TDT+20+20W39+++SAC9058+++3FME5:103::MSC MELINA'

Counter	No	Tag	Var	St	MaxOcc	Level	Name
0110		SG3	1	R	1	1	TDT-LOC-DTM
0130	9	LOC	1	R	1	2	DAKOSY-terminal code

Standard			Implementation	
Tag	Name	St Format	St Format	Usage / Remark
LOC				
3227	Place/location qualifier	M an..3	R an..3	9 Place/port of loading 189 Bei UMF DAKOSY-Schuppen-Code -siehe B 189 = if UMF DAKOSY-terminal code. - see B
C517	Location identification	C	N	
3225	Place/location identification	C an..25	N	Not used
C519	Related location one identification	C	R	
3223	Related place/location one identification	C an..25	R an..4	DAKOSY-terminal code - see A

Remark:

A If the initiator uses a terminal code to identify a terminal, which isn't affiliated to DAKOSY (and therefore cannot contain the data), a respective advice will be returned (please refer to the EDI handbook Statusmeldungen/status messages).

B The original terminal code with qualifier 189 must be transmitted, when using presentation type UMF (Umfuhrmeldung/ message of repositioning). This information will also be delivered to the addressed ship owner/ line agent.

Example:

LOC+9++PCH'

Counter	No	Tag	Var	St	MaxOcc	Level	Name
0110		SG3	1	R	1	1	TDT-LOC-DTM
0140	10	DTM	1	D	1	2	Vessel date of departure

			Standard	Implementation	
Tag	Name		St Format	St Format	Usage / Remark
DTM					
C507	Date/time/period		M	R	
2005	Date/time/period qualifier		M an..3	R an..3	133 Departure date/time, estimated
2380	Date/time/period		C an..35	R an..35	Vessel date of departure (segment 9 TDT, DE 8212) - see annotation A to segment TDT 9
2379	Date/time/period format qualifier		C an..3	R an..3	102 CCYYMMDD

Remark:

See annotation A to segment TDT 9

Example:

DTM+133:20131212:102'

Counter	No	Tag	Var	St	MaxOcc	Level	Name
0150	11	GIS	1	O	1	1	Indicator outboard loading

Standard			Implementation	
Tag	Name	St Format	St Format	Usage / Remark
GIS				
C529	Processing indicator	M	R	
7365	Processing indicator, coded	M an..3	R an..3	27 Outboard loading
1131	Code list qualifier	C an..3	N	Not used
3055	Code list responsible agency, coded	C an..3	N	Not used
7187	Process type identification	C an..17	R an1	J Außenbordverladung N Keine Außenbordverladung J = outboard loading N = no outboard loading

Remark:

This segment indicates whether this concerns with an "outboard loading", i.e. goods that are declared by this presentation notification will be directly loaded from barge to ocean vessel; there's no land sided Gate- In. Relevance for the ATLAS AES process see www.ZAPP-HAMBURG.DE/dokumente/AES/process description for outboard loading.

Example:

GIS+27:::1'

Counter	No	Tag	Var	St	MaxOcc	Level	Name
0280		SG6	1	R	1	1	CNI-SG7
0290	12	CNI	1	R	1	1	Consignment data

Standard			Implementation	
Tag	Name	St Format	St Format	Usage / Remark
CNI				
1490	Consolidation item number	C n..4	R n..4	Single item no. 1.

Remark:

Example:

CNI+1'

Counter	No	Tag	Var	St	MaxOcc	Level	Name
0310		SG7	1	R	1	2	RFF-LOC-GIS-SG8-SG10-SG13
0320	13	RFF	1	R	1	2	Number of export declaration; ATB-number; Reference number of previous customs declaration, book. no. of presentation.

Standard			Implementation	
Tag	Name	St Format	St Format	Usage / Remark
RFF				
C506	Reference	M	R	
1153	Reference qualifier	M an..3	R an..3	ED Export declaration ZZZ Mutually defined reference number AEI Registration number of previous Customs declaration ED - see A AEI - see B ZZZ - see C
1154	Reference number	C an..35	D an..35	Number of export declaration Presentation book.no. an..10 Transit document no./MRN no./ATB no. an..18
1156	Line number	C an..6	D an..6	

Remark:

The transmission of this segment is mandatory due to the message structure CUSCAR!

A The indication of the export declaration number is mandatory, in case of declaration type AAM, (SG07 GIS, field 7187).

The transit document-no./ MRN of dispatch (not to be confused with the MRN of the exportation procedure) may be sent (replaces the book. no. of presentation).

The ATB number of the previous summary declaration is to be specified in case of declaration type MIT. The specification is required for terminals outside the freezone.

Example:

RFF+AEI: 10DE953789979820M1' (transit document no.)
GIS+22:::MITE6'

B The default value has to be sent, if case A does not apply.

Field 1154 will not be transmitted to shipowners/ agents in case of declaration type MIT. Please refer to the EDI manual GM01/AES for the transmission of the MRN of the export procedure (AES) or the summary export declaration.

Example:

RFF+ED:X:X'

Counter	No	Tag	Var	St	MaxOcc	Level	Name
0310		SG7	1	R	1	2	RFF-LOC-GIS-SG8-SG10-SG13
0350	14	LOC	1	R	3	3	Country of destination

Standard			Implementation	
Tag	Name	St Format	St Format	Usage / Remark
LOC				
3227	Place/location qualifier	M an..3	R an..3	28 Country of destination of goods - see A
C517	Location identification	C	C	
3225	Place/location identification	C an..25	C an..25	Country of destination; code corresponding to extern. trade statistic; alternative ISO-code DE3055
1131	Code list qualifier	C an..3	N	Not used
3055	Code list responsible agency, coded	C an..3	C an..3	5 ISO (International Organization for Standardization) Leer Code nach Außenhandelsstatistik 5 = mandatory field, when indicating ISO-codes in DE 3225 Blank/space = code according to external trade statistics
3224	Place/location	C an..70	C an4	Code of customs office of export

Remark:

The segment LOC won't be passed on, while the transmission of CUSCAR to the ship owner/ agent/ line agent. Seg. LOC is mandatory in all cases, exceptions:

- a SACO B-number is being requested by the qualifier OSI in segment FTX
- in case of an UMF – message (seg. SG07 / GIS DE 7187 "UMF").

A The country of destination is always a mandatory field. It has to be located in the EU in case of declaration type EUB.

Example:

LOC+28+SE::5:1234'

Counter	No	Tag	Var	St	MaxOcc	Level	Name
0310		SG7	1	R	1	2	RFF-LOC-GIS-SG8-SG10-SG13
0350	15	LOC	2	D	3	3	Country of origin/ dispatch/ departure

Standard			Implementation	
Tag	Name	St Format	St Format	Usage / Remark
LOC				
3227	Place/location qualifier	M an..3	M an..3	27 Country of origin - see A
C517	Location identification	C	C	
3225	Place/location identification	C an..25	C an..25	Country of dispatch, export, departure; code corresponding to extern. trade statistic; alternative ISO-code DE3055
1131	Code list qualifier	C an..3	N	Not used
3055	Code list responsible agency, coded	C an..3	C an..3	5 ISO (International Organization for Standardization) Leer Code nach Außenhandelsstatistik 5 = mandatory field, when indicating ISO-codes in DE 3225 Blank/space = code according to external trade statistics

Remark:

The segment LOC won't be passed on, while the transmission of CUSCAR to the ship owner/ agent/ line agent. Seg. LOC is mandatory in all cases, exceptions:

- a SACO B-number is being requested by the qualifier OSI in segment FTX
- in case of an UMF – message (seg. SG07 / GIS DE 7187 "UMF").

A The country of origin, dispatch, export, departure is a mandatory field, in case of declaration types MITor EUB (seg. SG07 GIS, DE 7187) and if in case of EUB the country is a non-EU country

Example:

LOC+27+RU: : 5'

Counter	No	Tag	Var	St	MaxOcc	Level	Name
0310		SG7	1	R	1	2	RFF-LOC-GIS-SG8-SG10-SG13
0350	16	LOC	3	O	3	3	Customs office of export

Standard			Implementation	
Tag	Name	St Format	St Format	Usage / Remark
LOC				
3227	Place/location qualifier	M an..3	O an..3	22 Customs office of clearance 22 = (customs office of export)
C517	Location identification	C	C	
3225	Place/location identification	C an..25	C an..25	Country of destination/ country of dispatch, export, departure; code corresponding to extern. trade statistic; alternative ISO-code DE3055
1131	Code list qualifier	C an..3	N	Not used
3055	Code list responsible agency, coded	C an..3	C an..3	5 ISO (International Organization for Standardization) Leer Code nach Außenhandelsstatistik 5 = mandatory field, when indicating ISO-codes in DE 3225 Blank/space = code according to external trade statistics

Remark:

The segment LOC won't be passed on, while the transmission of CUSCAR to the ship owner/ agent/ line agent. Seg. LOC is mandatory in all cases, exceptions:

- a SACO B-number is being requested by the qualifier OSI in segment FTX
- in case of an UMF – message (seg. SG07 / GIS DE 7187 "UMF").

A The country of destination is always a mandatory field. It must not be located in the EU, in case of declaration type AAM and has to be located in the EU in case of declaration type EUB.

Example:

LOC+22+CN: : 5'

Counter	No	Tag	Var	St	MaxOcc	Level	Name
0310		SG7	1	R	1	2	RFF-LOC-GIS-SG8-SG10-SG13
0360	17	GIS	1	D	1	3	Declaration type

Standard			Implementation		
Tag	Name	St Format	St Format	Usage / Remark	
GIS					
C529	Processing indicator	M	R		
7365	Processing indicator, coded	M an..3	R an..3	22 Export	
1131	Code list qualifier	C an..3	N	Not used	
3055	Code list responsible agency, coded	C an..3	N	Not used	
7187	Process type identification	C an..17	R an..5	<p>SBF Sonst. Befreiungsfall SBFxx - siehe B</p> <p>MIT Mitteilung MITxx -siehe A</p> <p>EUB EU- Bestimmungshafen</p> <p>SAC SACO-Gestellung -siehe C</p> <p>UMF Umfuhrmeldung -siehe D</p> <p>UMS Seeseitige Umfuhr / Feederumfuhr</p> <p>DUX Anmeldung m. Referenz. auf eine Ausgangs-SumA -siehe E</p> <p>AES Ausfuhranmeldung im Verfahren AE -siehe E</p> <p>AUS Ausfallsystem/Notfallkonzept im Verfahren AES -siehe F</p> <p>SBF = other exemptions SBFxx -see B MIT = Message MITxx -see A EUB = EU- port of destination SAC = SACO-presentation -see C UMF = message of repositioning -see D (AES = export declaration in the AES procedure) - see E (DUX = Declaration with referencing to an exit summary declaration) -see E AUS = Backup system/disaster recovery plan in the AES procedure -see F</p> <p>UMS = The declaration type "UMS" is not yet supported, but already listed for the future usage.</p>	

Remark:

The segment GIS won't be relayed, when transferring the CUSCAR to the ship owner/ agent/ line agent.

A

The following additional information have to be specified in case of declaration type MIT (cf. „Erforderliche Angaben für die Mitteilung“ (Binding regulations for the customs...) in the appendix).

Data of the summary declaration have been transmitted

E special summary declaration

V Transit declaration

A Export declaration, export procedure has already been completed before the arrival in Hamburg (also to be used for consignments being delivered on the basis of a transit declaration with annotation „EXPORT“)

N not used

The MRN or the reference of a cancellation procedure has to be sent in another RFF+ENS (SG7) for the indicators "E", "A" and "V".

Reason for the exemption of the delivery of an exit summary declaration:

0* = The repositioning in the Port of Hamburg takes place within 14 days, the entry and exit in and of the Port of Hamburg is being done by ship; annex 30-A data has been transmitted before the arrival in Hamburg; the place of destination and the consignee remained unchanged.

0310		SG7	1	R	1	2	RFF-LOC-GIS-SG8-SG10-SG13
0360	17	GIS	1	D	1	3	Declaration type

2* = Exemption in terms of article 592a ZK-DVO

3* = Country of destination is Norway.

4* = The export procedure has already been completed before the arrival in Hamburg (transit by land), annex 30-A data included

6* = Transit declaration in electronic form at hand, annex 30-A data included in the transit declaration

* Further rules have to be considered, that have to be fully completed in order to choose the relevant digit.

B

Specifics:

- The indicator "sonstige Befreiung"/ other exemptions (J/N) is mandatory, if the "Erklärung zum Wert der Ausfuhrsendung"/ explanation of the consignment value = N.
- The combination "Erklärung zum Wert der Ausfuhrsendung"/ explanation of the export consignment value = J and "sonstige Befreiung"/other exemptions = N is prohibited.

C The declaration type „SAC“ provides the possibility of requesting a (SACO) B-number for a consolidated container. If a SACO-B-no. is being requested, the container no. in SG13 SGP and the number 1 in SG13 GID must be indicated, using the container package code. There's only one container permitted per SACO-B.-no. The B-numbers, which will be part of the SACO-container, are being indicated in seg. SG13 FTX (OSI). - SG04 RFF: number of export declaration

- SG13 GIS : ind. stamp
- SG10 NAD: sender/ exporter
- SG10 NAD: declarant
- SG13 CST : commodity code
- SG13 FTX : consignment ID
- SG13 PCI : sign+ no.
- SG13 GID: packages

D The declaration type "UMF" = Umfuhr - Meldung (message of the repositioning) provides the possibility to give notification about the change of position of a B-number to the 'right' terminal. Thereby the container no. in SG13 SGP and the number 1 in the SG13 GID must be indicated, using the container packaging code. There's only one container permitted per UMF – message. The B-numbers, which will be "re-registered", are being indicated in seg. SG13 FTX (OSI).

Following indications may / must be omitted, in case of an UMF message:

- SG04 RFF: number of export declaration
- SG13 GIS : ind. stamp
- SG10 NAD: sender/ exporter
- SG10 NAD: declarant
- SG13 CST : commodity code
- SG13 FTX : consignment ID
- SG13 PCI : sign+ no.
- SG13 PCI : position no. export declaration
- SG13 MEA: weight

The original presentation will be amended by indicating the transmission of the fields vessel name, date of departure, agent, call sign, DAK-vessel departure code. The field original terminal SG03 LOC 189 qualifier must be transferred additionally.

E Declaration type AES only valid for version GM01V03.

See www.ZAPP-Hamburg.de -Dokumente – ZAPP- Gestellungsmitteilung – GM01 for AES cases

F See explanation field 18 in chapter 8, list of data fields

Example:

GIS+22:::SBF'

Counter	No	Tag	Var	St	MaxOcc	Level	Name
0390		SG8	1	R	1	3	TDT-LOC
0400	18	TDT	1	R	1	3	Voyage no. (agent), call sign (vessel), name of the vessel

Standard			Implementation	
Tag	Name	St Format	St Format	Usage / Remark
TDT				
8051	Transport stage qualifier	M an..3	M an..3	20 Main-carriage transport
8028	Conveyance reference number	C an..17	N	Not used
C220	Mode of transport	C	D	
8067	Mode of transport, coded	C an..3	R an..3	1 Maritime transport

Remark:

The transmission of this segment is mandatory due to the message structure CUSCAR!

Example:

TDT+20++1'

Counter	No	Tag	Var	St	MaxOcc	Level	Name
0390		SG8	1	R	1	3	TDT-LOC
0410	19	LOC	1	R	1	4	Port of discharge-code and port of discharge

Standard			Implementation	
Tag	Name	St Format	St Format	Usage / Remark
LOC				
3227	Place/location qualifier	M an..3	M an..3	11 Place/port of discharge
C517	Location identification	C	R	
3225	Place/location identification	C an..25	R an..25	
1131	Code list qualifier	C an..3	N	Not used
3055	Code list responsible agency, coded	C an..3	C an..3	6 UN/ECE (United Nations - Economic Commission for Europe)
3224	Place/location	C an..70	C an..19	Name of port of discharge

Remark:**Example:**

LOC+11+CNSHA : : 6 : SHANGHAI '

Counter	No	Tag	Var	St	MaxOcc	Level	Name
0470		SG10	1	R	1	3	NAD-RFF-SG11
Information to shipping/ forwarding agent							
0480	20	NAD	1	M	1	3	Line agent

			Standard	Implementation	
Tag	Name		St Format	St Format	Usage / Remark
NAD					
3035	Party qualifier		M an..3	M an..3	BA Booking agent
C082	Party identification details		C	R	
3039	Party id. identification		M an..35	M an..4	The DAKOSY-code must be indicated for "BA".
1131	Code list qualifier		C an..3	C an..3	ZZZ Mutually defined

Remark:

A The DE 3039 contains the respective DAKOSY-participant code for the shipowner/ line agent and agent. An address must not be indicated in this cases.

Only DAKOSY-participant codes of the shipowner/ agent and line agent will be transferred during the transmission of the CUSCAR to the shipowner/ agent/ line agent. The composit C058 won't be relayed in this case.

Example:

NAD+BA+CCG:ZZZ'

Counter	No	Tag	Var	St	MaxOcc	Level	Name
0470		SG10	1	R	1	3	NAD-RFF-SG11
0500	21	RFF	1	C	1	4	Booking number

Standard			Implementation	
Tag	Name	St Format	St Format	Usage / Remark
RFF				
C506	Reference	M	R	
1153	Reference qualifier	M an..3	M an..3	BN Buchungsnummer
1154	Reference number	C an..35	D an..16	Booking no.

Remark:

Example:

RFF+BN: BK454854'

Counter	No	Tag	Var	St	MaxOcc	Level	Name
0470		SG10	1	R	1	3	NAD-RFF-SG11
0500	22	RFF	2	R	1	4	Reference of the presenter/ forwarder

Standard			Implementation	
Tag	Name	St Format	St Format	Usage / Remark
RFF				
C506	Reference	M	R	
1153	Reference qualifier	M an..3	R an..3	CR Referenz des Gestellenden / Spediteurs
1154	Reference number	C an..35	R an..16	Reference of the presenter/ forwarder

Remark:

Example:

RFF+CR:FF201232/251'

Counter	No	Tag	Var	St	MaxOcc	Level	Name
0510		SG11	1	R	1	4	CTA-COM
0520	23	CTA	1	R	1	4	Official in charge (presenter, declarant or forwarding agent)

		Standard	Implementation	
Tag	Name	St Format	St Format	Usage / Remark
CTA				
3139	Contact function, coded	C an..3	R an..3	IC Information contact
C056	Department or employee details	C	R	
3413	Department or employee identification	C an..17	N	Not used
3412	Department or employee	C an..35	R an..35	Official in charge

Remark:**Example:**

CTA+IC+:PETER MUELLER'

Counter	No	Tag	Var	St	MaxOcc	Level	Name
0510		SG11	1	R	1	4	CTA-COM
0530	24	COM	1	R	2	5	Communication contact

Standard			Implementation	
Tag	Name	St Format	St Format	Usage / Remark
COM				
C076	Communication contact	M	R	
3148	Communication number	M an..512	R an..512	Phone (mandatory) an..15 E-mail address (mandatory) an..56
				All of these contact data are mandatory!
3155	Communication channel qualifier	M an..3	R an..3	EM Electronic mail TE Telephone

Remark:

Contact information may solely be indicated in segment COM!!

Example:

COM+040/123456:TE'

Counter	No	Tag	Var	St	MaxOcc	Level	Name
0510		SG11	1	R	1	4	CTA-COM
0530	25	COM	2	O	1	5	Communication contact

Standard			Implementation		
Tag	Name	St Format	St Format	Usage / Remark	
COM					
C076	Communication contact	M	R		
3148	Communication number	M an..512	R an..512		Telefax (optional) an..35
					The information can optionally be specified.
3155	Communication channel qualifier	M an..3	O an..3		FX Telefax

Remark:
Contact information may solely be indicated in segment COM!!

Example:
COM+040/123456:FX'

Counter	No	Tag	Var	St	MaxOcc	Level	Name
0470		SG10	2	O	1	3	NAD
0480	26	NAD	1	M	1	3	Shipping company

		Standard	Implementation	
Tag	Name	St Format	St Format	Usage / Remark
NAD				
3035	Party qualifier	M an..3	M an..3	CA Carrier
C082	Party identification details	C	R	
3039	Party id. identification	M an..35	M an..4	The DAKOSY-code must be indicated for "CA".
1131	Code list qualifier	C an..3	C an..3	ZZZ Mutually defined

Remark:

A The DE 3039 contains the respective DAKOSY-participant code for the shipowner/ line agent and agent. An address must not be indicated in this cases.

Only DAKOSY-participant codes of the shipowner/ agent and line agent will be transferred during the transmission of the CUSCAR to the shipowner/ agent/ line agent. The composit C058 won't be relayed in this case.

Example:

NAD+CA+HLM: ZZZ '

Counter	No	Tag	Var	St	MaxOcc	Level	Name
0470		SG10	3	D	1	3	Consignee
0480	27	NAD	1	R	1	3	Consignee

Standard			Implementation	
Tag	Name	St Format	St Format	Usage / Remark
NAD				
3035	Party qualifier	M an..3	M an..3	CN Consignee CZ Consignor
C082	Party identification details	C	N	
3039	Party id. identification	M an..35	N	Not used
C058	Name and address	C	D	
3124	Name and address line	M an..35	R an..35	Consignee's address
3124	Name and address line	C an..35	O an..35	Consignee's address
3124	Name and address line	C an..35	O an..35	Consignee's address
3124	Name and address line	C an..35	O an..35	Consignee's address
3124	Name and address line	C an..35	O an..35	Consignee's address

Remark:

Example:

NAD+CN++CONSIGNEE COMPANY:ADDITIONAL INFORMATION:CONSIGNEE STREET:ADDITIONAL REMARKS:LOCATION'

Counter	No	Tag	Var	St	MaxOcc	Level	Name
0470		SG10	4	D	1	3	Shipper
0480	28	NAD	1	R	1	3	Shipper

Standard			Implementation	
Tag	Name	St Format	St Format	Usage / Remark
NAD				
3035	Party qualifier	M an..3	M an..3	CZ Consignor
C082	Party identification details	C	N	
3039	Party id. identification	M an..35	N	Not used
C058	Name and address	C	R	
3124	Name and address line	M an..35	R an..35	Shipper's address
3124	Name and address line	C an..35	O an..35	Shipper's address
3124	Name and address line	C an..35	O an..35	Shipper's address
3124	Name and address line	C an..35	O an..35	Shipper's address
3124	Name and address line	C an..35	O an..35	Shipper's address

Remark:

Example:

NAD+CZ++SHIPPERS COMPANY:LINE 2:STREET:LINE 4:LOCATION'

Counter	No	Tag	Var	St	MaxOcc	Level	Name
0470		SG10	5	D	1	3	Declarant; information about the company presenting the declaration
0480	29	NAD	1	R	1	3	Representative/ authorizes representative; company presenting the declaration

Standard			Implementation	
Tag	Name	St Format	St Format	Usage / Remark
NAD				
3035	Party qualifier	M an..3	R an..3	AE Declarant's agent/representative DT Declarant AE has to be specified in case of declaration type MIT. DT has to be specified in case of the declaration types SBF and AUS.
C082	Party identification details	C	O	
3039	Party id. identification	M an..35	M an..4	DAKOSY-Teilnehmercode
1131	Code list qualifier	C an..3	O an..3	ZZZ Mutually defined
C058	Name and address	C	R	
3124	Name and address line	M an..35	R an..35	Declarant's address
3124	Name and address line	C an..35	O an..35	Declarant's address
3124	Name and address line	C an..35	O an..35	Declarant's address
3124	Name and address line	C an..35	O an..35	Declarant's address
3124	Name and address line	C an..35	O an..35	Declarant's address

Remark:

Example:

NAD+DT+ZOLD:ZZZ+ABC GMBH:ZOLLDIENSTLEISTER:XYZ-STRASSE 10:12345 ORT:ABC'

Counter	No	Tag	Var	St	MaxOcc	Level	Name
0470		SG10	5	D	1	3	Declarant; information about the company presenting the declaration
0500	30	RFF	1	R	1	4	Reference of annex 30A data

Standard			Implementation	
Tag	Name	St Format	St Format	Usage / Remark
RFF				
C506	Reference	M	R	
1153	Reference qualifier	M an..3	R an..3	ENS Referenz, mit der die Anhang 30A-Daten übermittelt wurden, d. h. MRN zur summarischen Eingangsanmeldung, Ausfuhranmeldung oder Versandverfahren EXS MRN zur summarischen Ausgangsanmeldung bzw. Ausfuhrverfahren oder Befreiungstatbestand
1154	Reference number	C an..35	R an..18	MRN of a previous entry summary declaration, an electronic export procedure or an electronic transit procedure. Please also note the comments to the ZAPP input rules. MRN MRN
1156	Line number	C an..6	D an1	If element 1154 contains the reference of an export procedure (master ticket), value "S" (special procedure) has to be specified here. 1156 remains empty/blank if element 1154 contains a MRN.

Remark:

Example:

RFF+ENS:10DE95302287982011' (reference of an entry summary declaration)

Example:

RFF+ENS:12BEN0000001067480:S'

Counter	No	Tag	Var	St	MaxOcc	Level	Name
0570		SG13	1	R	999	3	GID-FTX-MEA-MOA-SGP-PCI-CST-SG14
0580	31	GID	1	R	1	3	Number and type of packages, code and type of packages (long)

Standard			Implementation	
Tag	Name	St Format	St Format	Usage / Remark
GID				
1496	Goods item number	C n..5	R n..5	1, 2, 3, etc.
C213	Number and type of packages	C	R	
7224	Number of packages	C n..8	R an..6	Number of pack. - see A
7065	Type of packages identification	C an..17	R an..2	KL Kolli KL = Kolli (package) Type of package; DAKOSY-code - see A
1131	Code list qualifier	C an..3	N	Not used
3055	Code list responsible agency, coded	C an..3	N	Not used
7064	Type of packages	C an..35	D an..7	Type of package; mandatory field, if no coding is being indicated

Remark:

A The declaration types ,SAC" = SACO –presentation and ,UMF" = message of repositioning (SG07 GIS, DE 7187), merely approve the indication of number 1 in data element DE 7224 and the indication of one container package code in data element DE 7065. The container package codes are published in the internet.

Example:

GID+9+9:KL:::X'

Counter	No	Tag	Var	St	MaxOcc	Level	Name
0570		SG13	1	R	999	3	GID-FTX-MEA-MOA-SGP-PCI-CST-SG14
0610	32	FTX	1	R	99	4	Position no. of export declaration (AM), Goods description, Special notes

Standard			Implementation	
Tag	Name	St Format	St Format	Usage / Remark
FTX				
4451	Text subject qualifier	M an..3	D an..3	<p>AAA Goods description CUS Customs declaration information MKS Additional marks/numbers information AAZ Additional export information OSI Other service information AKG Chassis-Nr./Fahrgestellnr. - siehe D</p> <p>CUS = (processing code) - see C MKS = (position no. of export declaration) - see B AAZ = (special notes) - see A OSI = (otherwise specified) - see B AKG - see D</p> <p>Please have a look at handbook GM01 AES for information about the modifications of cases in the AES procedure.</p> <p>Following status are valid for the respective qualifiers: AAA / CUS = O MKS / AAZ / OSI / AKG = D</p>
4453	Text function, coded	C an..3	N	Not used
C107	Text reference	C	N	
4441	Free text, coded	M an..3	N	Not used
C108	Text literal	C	D	
4440	Free text	M an..70	R an..70	<p>Position number (MKS) (must be indicated as two-digit numeric upwarding line without gaps) of export declaration; an2 -see E Customs declaration information processing no.; an4; Goods description; (AAA); an..44; Additional export information ; (AAZ) an..45, B-number (if DE 4451 = (OSI)) ; an12 ; Chassis no. (AKG) an17</p> <p>Except specification "Customs declaration information processing no." = depending, all other specifications are required (R).</p>
4440	Free text	C an..70	O an..45	<p>Goods description; an..44 Add. export info; an..45 B-number; an12</p>
4440	Free text	C an..70	O an..70	<p>Goods description; an..44 Add. export info; an..45 B-number; an12</p>
4440	Free text	C an..70	O an..70	<p>Goods description; an..44 Add. export info; an..45 B-number; an12</p>
4440	Free text	C an..70	O an..70	<p>Goods description; an..44 Add. export info; an..45 B-number; an12</p>

0570		SG13	1	R	999	3	GID-FTX-MEA-MOA-SGP-PCI-CST-SG14
0610	32	FTX	1	R	99	4	Position no. of export declaration (AM), Goods description, Special notes

Remark:

A Not applicable at declaration types ,SAC" = SACO – presentation and "UMF" = repositioning message, SG07 GIS, DE 7187.

B Under specification of qualifier ,OSI" are/ is:

a) B-numbers, which are being transferred into a SACO B-number, indicated (declaration type ,SAC" seg. SG07 GIS, DE 7187).

b) the B-number, that is being transferred with an UMF – message (of repositioning) to a "new" terminal, indicated (declaration type ,UMF" seg. SG07 GIS, DE 7187).

Customs data must not be transferred in both cases. The number of packages in the SG13 GID has to be indicated with value 1, using a container package code. The transmission of the container no. in SG13 SGP will be mandatory.

C The processing code is a mandatory field in case of declaration type = AUS (seg. SG07 GIS, DE 7187).

Valid values for the processing code are:

- 1000 - 3999
- 9500 - 9999

D Information to the indication of the chassis no.:

The character „O“ is not permitted, please do always send 0 = zero instead!!

E Only the position no. of the export declaration (4451 = MKS) in the first data element 4440 is being relayed, when transmitting the CUSCAR to the shipowner/ agent /line agent. The goods description may contain max. x 44 digits. Additional export information may total up to max. 5 x 45 digits.

Example:

FTX+AAA+++X:X:X:X:X'

Counter	No	Tag	Var	St	MaxOcc	Level	Name
0570		SG13	1	R	999	3	GID-FTX-MEA-MOA-SGP-PCI-CST-SG14
0620	33	MEA	1	R	2	4	Net weight/ gross weight

Standard			Implementation	
Tag	Name	St Format	St Format	Usage / Remark
MEA				
6311	Measurement application qualifier	M an..3	R an..3	AAE Measurement AAE = values
C502	Measurement details	C	R	
6313	Measurement dimension, coded	C an..3	D an..3	G Gross weight AAL Net weight AAW Gross volume - see A The specification of qualifiers G and AAL depends, the specification of qualifier AAW is optional (O).
C174	Value/range	C	R	
6411	Measure unit qualifier	M an..3	R an..3	KGM Kilogram *
6314	Measurement value	C n..18	R n..11	Value - see B

Remark:

A At least one weight (net weight/ gross weight) must be indicated.

- AAL = net weight (without packing)
- G = gross weight (net weight +packing)

Only the gross weight, not the net weight, is forwarded to the recipient (quay operator).

B The indication of weight (net- or gross weight) is being transferred in data element 6314. Please notify, that the weight indication may total up to max. 8 pre- and 3 decimal places. Commas have to be placed, when indicating decimal places (e. g. 5,645). The message will be rejected, if more than 8 pre-decimal places are being transferred. The indication will be cut off from the fourth digit on, when indicating more than 3 decimal places. Integral values may be transferred without indicating decimal places (e. g. 25000 or 25000,000)

Example:

MEA+AAE+G+KGM: 9'

Counter	No	Tag	Var	St	MaxOcc	Level	Name
0570		SG13	1	R	999	3	GID-FTX-MEA-MOA-SGP-PCI-CST-SG14
0630	34	MOA	1	O	1	4	Statistic value

Standard			Implementation		
Tag	Name	St Format	St Format	Usage / Remark	
MOA					
C516	Monetary amount	M	R		
5025	Monetary amount type qualifier	M an..3	R an..3		123 Statistischer Wert
					123 = statistic value
5004	Monetary amount	C n..18	R n..14		Statistic value in EUR
6345	Currency, coded	C an..3	R an..3		3 alpha ISO currency code (ISO 4217)

Remark:

The segment MOA won't be relayed, when transferring the CUSCAR to the shipowner/ agent/ line agent.

Example:

MOA+123:9:ADP'

Counter	No	Tag	Var	St	MaxOcc	Level	Name
0570		SG13	1	R	999	3	GID-FTX-MEA-MOA-SGP-PCI-CST-SG14
0640	35	SGP	1	D	1	4	Equipment allocation of goods to container no.

Standard			Implementation	
Tag	Name	St Format	St Format	Usage / Remark
SGP				
C237	Equipment identification	M	R	
8260	Equipment identification number	C an..17	R an..12	Container number in terms of PPPNNNNNNZ P = prefix N = number Z = check digit - see A
1131	Code list qualifier	C an..3	N	Not used
3055	Code list responsible agency, coded	C an..3	R an..3	5 ISO (International Organization for Standardization) ZZZ Mutually defined ZZZ = mutually agreed (shipper's own)

Remark:

Mandatory in case of containerized goods, declaration type:

- "SAC"=SACO-presentation
- "UMF" = repositioning message (see also SG07 GIS, DE 7187).

A The prefix will always be counter-checked with the BIC-code-table, if a container number is indicated. This table contains every officially assigned container prefix. The assignment is made by the organisation "Bureau International des Containers" (BIC). A validity check will be made in any case of an occurring prefix in this table, even though the container has been identified as "shippers owned". Thus containers without official prefix according to BIC-code must be identified as "shippers owned". A detailed listing of the validity check is found under annex A.

Example:

SGP+HLCU1234566::5'

Counter	No	Tag	Var	St	MaxOcc	Level	Name
0570		SG13	1	R	999	3	GID-FTX-MEA-MOA-SGP-PCI-CST-SG14
0660	36	PCI	1	D	1	4	Characters and numbers (marks)

Standard			Implementation	
Tag	Name	St Format	St Format	Usage / Remark
PCI				
4233	Marking instructions, coded	C an..3	R an..3	24 Shipper assigned
C210	Marks & labels	C	R	
7102	Shipping marks	M an..35	R an..19	Character and number (marks)

Remark:

Example:

PCI+24+X'

Counter	No	Tag	Var	St	MaxOcc	Level	Name
0570		SG13	1	R	999	3	GID-FTX-MEA-MOA-SGP-PCI-CST-SG14
0670	37	CST	1	D	1	4	Market organisation indicator and statistical number

Standard			Implementation	
Tag	Name	St Format	St Format	Usage / Remark
CST				
1496	Goods item number	C n..5	N	Not used
C246	Customs identity codes	C	R	
7361	Customs code identification	M an..18	R n..12	8-digit statistical number -see A

Remark:

The segment CST won't be relayed, when transferring the CUSCAR to the shipowner/ agent/ line agent.

A The specification of the commodity code is mandatory in case of declaration type = AUS (segment 29 GIS, DE 7187) and has to be specified in the following format:

- 8-digit statistical number

Example:

CST++123456789124'

Counter	No	Tag	Var	St	MaxOcc	Level	Name
0680		SG14	1	D	1	4	GIS-DOC
0690	38	GIS	1	R	1	4	Market organisation goods

Standard			Implementation	
Tag	Name	St Format	St Format	Usage / Remark
GIS				
C529	Processing indicator	M	R	
7365	Processing indicator, coded	M an..3	R an..3	<p>MO Kennzeichen Marktordnungsware MO = indicator market organisation goods</p> <p>The specification of qualifier MO is required (R), the specification of qualifier VT is optional (O).</p>

Remark:

The segment group 14 won't be relayed, when transferring the CUSCAR to the shipowner/ agent/ line agent. The transmission of this segment is required due to the fact of the message structure CUSCAR, if indications must be transferred in the following DOC segment.

Example:

GIS+MO'

Counter	No	Tag	Var	St	MaxOcc	Level	Name
0680		SG14	1	D	1	4	GIS-DOC
0700	39	DOC	1	C	1	5	Registration- / reference number / VUB-paper

Standard			Implementation	
Tag	Name	St Format	St Format	Usage / Remark
DOC				
C002	Document/message name	M	R	
1001	Document/message name, coded	C an..3	R an..3	823 Control document T5 823 = control copy T5 resp. of the export declaration for EC export restitution
1131	Code list qualifier	C an..3	N	Not used
3055	Code list responsible agency, coded	C an..3	N	Not used
1000	Document/message name	C an..35	R an..35	Registration-/reference no. at "823" in DE 1001 an..20 The specification of the registration/ reference no. is required (R), the specification of the common veterinary document (GVDE) is not allowed as of 1. 12.2011.

Remark:

The segment group 14 won't be relayed, when transferring the CUSCAR to the shipowner/ agent/ line agent.

Example:

DOC+823:::X'

Counter	No	Tag	Var	St	MaxOcc	Level	Name
0780	40	UNT	1	R	1	0	Message trailer

Standard			Implementation	
Tag	Name	St Format	St Format	Usage / Remark
UNT				
0074	Number of segments in a message	M n..6	R n..6	Number of segments in a message: including UNH and UNT segments
0062	Message reference number	M an..14	R an..14	Message reference number out of the UNH/0062. Comparison of numbers when receiving the message with the UNH record.

Remark:

Example:

UNT+36+UNHREF12345678'

Counter	No	Tag	Var	St	MaxOcc	Level	Name
0000	41	UNZ	1	R	1	0	Interchange final segment

Standard			Implementation	
Tag	Name	St Format	St Format	Usage / Remark
UNZ				
0036	Interchange control count	M n..6	R n..6	Number of messages in the interchange
0020	Interchange control reference	M an..14	R an..14	Message-reference number out of the UNB/0020

Remark:

Example:

UNZ+1+0404211513'

7. Allocation of ZAPP GM01 fields to EDIFACT segments

No	Data field	Format	Segment and data element
01	B number		06 RFF
02	Beginning of message		04 BGM
03	Booking number		21 RFF
04	Characters and numbers (marks)		36 PCI
05	Communication contact		24 COM
06	Communication contact		25 COM
07	Consignee		
08	Consignee		27 NAD
09	Consignment data		12 CNI
10	Country of destination		14 LOC
11	Country of origin/ dispatch/ departure		15 LOC
12	Customs office of export		16 LOC
13	DAKOSY-terminal code		09 LOC
14	Date of transmission		05 DTM
15	Declarant; information about the company presenting the declaration		
16	Declaration type		17 GIS
17	Equipment allocation of goods to container no.		35 SGP
18	Indicator outboard loading		11 GIS
19	Interchange final segment		41 UNZ
20	Interchange Header		02 UNB
21	Line agent		20 NAD
22	Market organisation goods		38 GIS
23	Market organisation indicator and statistical number		37 CST
24	Message header segment.		03 UNH
25	Message trailer		40 UNT
26	Name and address ZAPP-participant (sender of data)		07 NAD
27	Net weight/ gross weight		33 MEA
28	Number and type of packages, code and type of packages (long)		31 GID
29	Number of export declaration; ATB-number; Reference number of previous customs declaration, book. no. of presentation.		13 RFF
30	Official in charge (presentor, declarant or forwarding agent)		23 CTA
31	Port of discharge-code and port of discharge		19 LOC
32	Position no. of export declaration (AM), Goods description, Special notes		32 FTX
33	Reference of annex 30A data		30 RFF
34	Reference of the presentor/ forwarder		22 RFF
35	Registration- / reference number / VUB-paper		39 DOC

No	Data field	Format	Segment and data element	
36	Representative/ authorizes representative; company presenting the declaration		29	NAD
37	Shipper			
38	Shipper		28	NAD
39	Shipping company		26	NAD
40	Statistic value		34	MOA
41	Text		32	FTX C108
42	Vessel date of departure		10	DTM
43	Voyage no. (agent), call sign (vessel), name of the vessel		18	TDT
44	Voyage no. (agent), DAKOSY-vessel departure no., call sign (vessel), name of vessel.		08	TDT

8. List of data fields and corresponding validations

8.1 Table of data fields

	SBF	MIT	EUB	SAC *20	DUX	AES	AUS *18
HDS/GM01							
Warehouse/packing company	+1	+1	+1	+1	+1	+1	+1
Administrator	+	+	+	+	+	+	+
Telephone number	+	+	+	+	+	+	+
Fax number	?	?	?	?	?	?	?
E-mail address	+	+	+	+	+	+	+
Shipper's reference	+	+	+	+	+	+	+
Type of declaration	+	+	+	+	+	+	+
Number of export declaration	-	-	-	-	-	-	-
Value > EUR 1000	*16	-	-	-	-	-	-
Other exemption	*16	-	-	-	-	-	-
Sender/exporter	+	+	?	-	-	-	+
Receiver	-	+	-	-	-	-	-
Declarant/representative	+	?	?	-	-	-	+
Person in charge	-	+	-	-	-	-	
Shipping/ exporting/ departure country	-	+	*5	-		-	+4
Country of destination	+6	+6	+7	-	?	-	+6
DAKOSY Voyage Number	*2	*2	*2	*2	*2	*2	*2
Name of ship	*2	*2	*2	*2	*2	*2	*2
Call sign	*2	*2	*2	*2	*2	*2	*2
Departure date	*2	*2	*2	*2	*2	*2	*2
Broker	+2	+2	+2	+2	+2	+2	+2
Ship owner	?	?	?	?	?	?	?
Port of discharge code	+	+	+	+	+	+	+
Port of discharge name	?	?	?	?	?	?	?
Shortage in quantity	-	-	-	-	-	#17	-
Number of packages	+11	+11	+11	-	+11	+11	+11
Packing code	*12	*12	*12	+13	+	+	*12
Packing description	?	?	?	?	?	?	?
Marks and Numbers	+	+	+	-	-	-	?
MRN	-	-	-	-	+	+	-
Container number	*14	*14	*14	+	*14	*14	*14
Shipper's-own code	*15	*15	*15	*15	*15	*15	*15
ATB no. (former customs registration number)	-	+	*19	-	?	-	-
Position of export declaration	+	+	+	-	-	-	+
Commodity description	+	+	+	-	-	-	+
Commodity code	?9	?9	?9	-	-	-	+9
Gross weight	*10	*10	*10	+	*10	*10	*10
Net weight	*10	*10	*10	-	-	*10	*10
Customs Procedure code	-	-	-	-	-	-	+3
Completion code	-	-	-	-	+	+	-
Data transmission type of the data of annex 30A data	-	+	-	-	-	-	-

Exemption reason for the delivery of an exit SumA	-	+	-	-	-	-	-
Associated ZAPP references (B-, S- or Z-numbers)	-	-	-	+	-	-	-

Key:

- + Mandatory field
- * Special case
- # AES or DUX
- ? Optional field
- - Not used / blanked out

8.2 Explanations to the table of data fields

- 1 For the warehouse code BK9 and EUR a container has to be specified (FCL). For the warehouses BK5, BK6 and all Eurokai warehouses (apart from EUR) the presentation must not include a container (LCL). Warehouse code SAMM is not permitted for SAC presentations.
- 2 The fields DAKOSY voyage number, name of ship, call signal, departure date and agent are checked interdependently:
 - If the voyage number is specified, it is checked against the data in the ship departure. The departure date may not be before the current date and the agent has to correspond with the ship departure agent.
 - Call sign, departure date, vessel name and agent code. The departure date may not be before the current date.
- 3 Customs Procedure Code: Value between 0000 and 0999 or between 4000 and 9499 is invalid (new error code „Selected Customs Procedure code is invalid“)
- 4 The shipping country has to be in the EU.
- 5 Mandatory in case of declaration type EUB, if the country of origin is not located in the EU.
- 6 The country of destination must not be in the EU.
- 7 The country of destination has to be in the EU.
- 8 *Comment: Not used anymore.*
- 9 The first eight digits of the commodity code must have a value greater than 01010000.
- 10 The following applies for the declaration types SBF, MIT, EUB and AUS:
The fields gross weight and net weight are always mandatory fields with the first position of a declaration, from the second position the fields gross weight and net weight are optional fields, for which the value “0” is also permitted.
AES: The specification of net weight is mandatory if there is a shortage in quantity (see shortage in quantity code). In this case the gross weight and net weight which are to be actually exported are to be specified. The corrected quantities are transmitted to ATLAS AES and overwrite the data in the export declaration.
- 11 The number of packages “0” is not permitted in the first position in the first declaration type in a B number. This means that from the second position of the first declaration type or from the first position of the second declaration type in a B number the number of packages “0” is permitted.
AES: The number of packages overwrites the value from the export declaration and is only to be understood as an amendment, not as a shortage in quantity (see 10)
- 12 The packing code has to be specified if the number of packages is greater than 0.
- 13 For SACO a container packing code (i.e. numerical 2 digits) has to be specified.
- 14 A container is mandatory if a container packing code (i.e. numerical 2 digits) was specified.
- 15 The field shipper-owned code may only be entered with "J" if the container does not conform with the ISO standard.
- 16 The fields other exemption and value > EUR 1000 are checked interdependently. Either value > EUR 1000 has the entry “N” or other exemption has the entry “J”. Any entry is permitted in the respective other field, i.e. “J, N, blank”. New error code, text, “A requirement for the declaration SBF is that the

value of the export shipment is not > EUR 1000 or that there is no other reason for exemption in terms of the mandatory input rules”.

17 The shortage in quantity flag is always to be transmitted when the actual quantity exported does not correspond with the declared quantity in the export declaration (net weight or if applicable gross weight) and consequently the information in the ATLAS AES system has to be corrected.

18 Declaration type AUS (emergency concept) with mark up sign for B-number

In case that the transfer into the export procedure is not possible by electronic means due to an export error, the export declaration will be manually created on a separate form. If the export declaration has been delivered in Germany in such case, the document has to be provided with a ZIVIT ticket number.

On that basis the ZAPP collection formalities have been adjusted as follows:

Name	HDS	Use	GM01	Use
Type of declaration	Field 103	M	SG7/18/GIS	M value „AUS“
Number of export declaration	Field 151	M	SG7 / 11 / RFF	M
Net weight	Field 133	K	SG13 / 22 / MEA	K

K = conditional

M = mandatory

The generated B-Number will be marked with an „N“ at 4th position (B11N00000001)

19 Mandatory in case of declaration type EUB, if the country of origin is not located in the EU. Goods, located in temporary storage, also have to be specified. This concerns e.g. goods, that have been delivered seaward from another EU member state and for which the community status could not be determined.

20 The declaration type “SAC” is only used in case of a presentation notification message GM01.

9. Appendix

A Validation of container numbers

1. ISO-container

1.1 Description

An ISO-container is being registered on the basis of the alpha-prefix. All valid ISO-alpha-prefixes are stored in a container-BIC-code file. Additionally the container-numbers with alpha-prefixes SUDU, HLCU and MMCU are considered as ISO-container, even if the check digit calculation deviates from ISO standard.

1.2 Container-BIC-codes

You may find container-BIC-codes on the DAKOSY homepage as adobe reader file.

- Address: <http://www.dakosy.de>
- press **Kunden-Services/ customer service**
- press **Schlüsselverzeichnis/ code keys**
- press **BIC code container prefix**

2. Sent container

2.1 Container without shipper“s-owned-indicator

You have to pass validation error free (as described above under ISO-container), otherwise the message will be rejected with an error code.

2.2 Shipper“s-Owned-container

If a container, identified as shipper's own, has got an alpha-prefix that is contained in the container BIC-code file or is called SUDU, HLCU, MMCU, a validation takes place (as described above under ISO-container). 10-digit containers with the pre-fixes OWHU and APLU (even if existing in the BIC-code file) will be let out as shipper's own-container without validation. All other containers pass under shipper's own without being validated.

Exception: Container numbers with ISO-prefix, whose calculated check digits are at variance with the actual check digit of the container (e.g. due to the modification of the container no.). Those can be reported to DAKOSY. Even the container numbers may be reported via fax, in order to confirm DAKOSY about the actual correspondence between the container and the marked number.

3. Validation algorithms

3.1 Composition of container numbers

```

xxxx nnnnnnn p
!      !      !
!      !      +----- Check digit
!      !
!      +----- Serial number(numeric part)
!
+----- Code of owner(alpha-prefix)
    
```

3.2 Check digit calculation as per ISO

All characters (except check digits) within the container number are assigned to a value according to the table.

Code of owner				Serial number
Charact.	Value	Charact.	Value	Value = Charact.
A	10	N	25	0
B	12	O	26	1
C	13	P	27	2
D	14	Q	28	3
E	15	R	29	4
F	16	S	30	5
G	17	T	31	6
H	18	U	32	7
I	19	V	34	8
J	20	W	35	9
K	21	X	36	
L	23	Y	37	
M	24	Z	38	

Each digit is multiplied by two to the power of the digits position within the number decremented by one.

All results will be added and the sum will be divided by 11. The remainder gives the check digit, whereas the rest of 10 gives the check digit 0.

Example: Container number: GSTU4607003

Digit	Code of owner				Serial number						S U M
	1	2	3	4	5	6	7	8	9	10	
1. Container no.	G	S	T	U	4	6	0	7	0	0	
2. Value of charact.	17	30	31	32	4	6	0	7	0	0	
3. Power of two	1	2	4	8	16	32	64	128	256	512	
Result (2. * 3.)	17	60	124	256	64	192	0	896	0	0	1609

$1609 / 11 = 146,27$ oder $146 + \text{Rest } 3 \leq==== \text{ check digit}$

3.3 Variant validation of ISO

These containers will be recognized by the prefix (code of owner) and have got a modified check digit calculation.

3.3.1 SUDU-Container

In case of containers with prefix SUDU and a serial number from 214500 to 214699, the check digit as per ISO will be calculated first and then 1 of this subtracted. The check digit calculation as per ISO applies for containers outside the serial number.

3.3.2 HLCU-Container

The valuation of the characters H, L, C and U in the lookup table (see 4.2) will be changed for containers with the prefix HLCU into:

H	=	4
L	=	0
C	=	2
U	=	9

The further calculation of the check digit is equivalent to the ISO standard.

3.3.3 MMCU-Container

Container numbers with the prefix MMCU and a serial number from 200000 to 200500 will first be validated as per ISO standard. If the validation fails the valuation of the characters M, C and U in the lookup table (see 3.2) changes into:

M	=	13
C	=	3
U	=	21

This circumstance derives from the fact that the MMCU-container within this serial numbers was under conversion from the special SUDU-check digit calculation to the ISO-check digit calculation.

All other MMCU-container check digits with a serial number outside the range will be calculated as per ISO only.

**B Binding regulations for the entry of customs-relevant data of the HDS /
presentation notification (GM01)**

You'll find the currently appropriate document on the website www.zapp-hamburg.de.

C Information range of declaration type MIT (message/notification)Required information for the Message/ notification according to artitel 841a clause 2 ZK-DVO: Date: 22.09.2011

<i>Value</i>	<i>Field identifier</i>
<i>M = Mandatory</i> <i>K = Optional</i>	
M	Storage place/location of the goods (port)
M	Name of company registrating the data
M	Name of ZAPP registrator
M	Phone number of ZAPP registrator
K	Fax number of ZAPP registrator
K	Email address of ZAPP registrator
M	Speditonsreferenz
M	Positions
M	Consignor
M	Consignee
M	Company delivering the message/ notification
M	Country of dispatch
M	Country of destination
M	Consignment description (container number)
M	Number of packages
M	Produkt identification
M	Gross weight
M	Name of the vessel
M	Date of departure
M	Port of discharge

<i>Value</i>	<i>Field identifier</i>
<p><i>M = Mandatory</i> <i>K = Optional</i></p>	
K	<p>Data of the entry summary declaration have been transmitted with</p> <p><input type="checkbox"/> separate entry summary declaration</p> <p><input type="checkbox"/> Transit declaration</p> <p><input type="checkbox"/> Not existing (not required)</p> <p>under</p> <p><input type="checkbox"/> MRN __ __ _____</p> <p><input type="checkbox"/> other (cancellation procedure) _____</p>
K	<p>Registration number of the summary declaration _____</p> <p><input type="checkbox"/> Not existing (not required)</p>
M	<p>Reason for the exemption of the delivery of a summary export declaration:</p> <p><input type="checkbox"/> Goods did not remain in the port of Hamburg for more than 14 days</p> <p>Place of destination and consignee have not been modified.</p> <p><input type="checkbox"/> Exemption case in terms of article 592a Buchstabe __ ZK-DVO</p> <p><input type="checkbox"/> Country of destination is Norway.</p> <p><input type="checkbox"/> summary export declaration has been delivered already with</p> <p style="padding-left: 20px;"><input type="checkbox"/> Export declaration; Export procedure already completed</p> <p style="padding-left: 20px;"><input type="checkbox"/> Transit declaration</p> <p>under</p> <p><input type="checkbox"/> MRN __ __ _____</p> <p><input type="checkbox"/> other (cancellation procedure) _____</p>