

EDI

ZAPP Status messages related to the transactions GM01 and GM02

ZAPP specific amendments and information to the EDIFACT Acknowledgement Message APERAK

User manual

Version 4.2.2/E

(Valid from February 2016)

DAKOSY
Datenkommunikationssystem AG

Mattentwiete 2
20457 Hamburg
www.dakosy.de

Phone: + 49 40 37003 - 0
Fax: + 49 40 37003 - 370
info@dakosy.de

Change history

Version	Reason, concerned section	Changed by/ date	Checked by/ date
04/97	Creation of document	W. Siebert, 29.04.1997	V. Erdelbrock, 30.04.1997
1.0/D	Modification of preface, deletion of 3.basics, amendment 4. The message	M. Quade 14.01.98	V. Erdelbrock 14.01.98
1.0/D	Modification BGM and RFF	M. Quade 13.05.98	V. Erdelbrock 13.05.98
1.0/D	Modification: 8 ERC, DE: 9321,3033,1131	M. Quade 08.10.98	V. Erdelbrock 08.10.98
1.0/D	Modifications	M. Quade 18.11.98	V. Erdelbrock 18.11.98
1.1/D	Segment 7 COM FX amended	M. Quade 01.03.99	V. Erdelbrock 01.03.99
1.1/D	Converting to WORD 97	M. Quade 13.10.99	V. Erdelbrock 20.10.99
2.0/D	AES amendments Chapter 5, Segment 5, 8 - 10	S. Elze / F. Schwanke 15.02.2006	
2.1./D	Segment 8 ERC/DE 9321 amended to involve „AAG“ and „UAG“. FTX DE 4440 (lattice:1/2/3.) digit allocation added. Segment 4 RFF comment to qualifier ACW amended.	S. Köhler 26.06.2006 06.07.2006 20.07.2006	
2.2/D	Chapter 6.1 „presentation“, contentual amendments in respect of the indications to the presentation of the export documents.	J. Diettrich 09.01.2009	C. Wegner 09.01.2009
3.0/E	Translated document available Chapter 5 „ZAPP-specifics“, amendment of segment 9/FTX: DE4400#4 and #5 are used and transferred with 70 characters.	J. Diettrich 12.03.2009	C. Wegner 12.03.2009
4.0/E	Status VI and VU of Z-Number/Reference added	C. Wegner 10.05.2010	C. Wegner 10.05.2010

Version	Reason, concerned section	Changed by/ date	Checked by/ date
4.1/E	Layout modifications and modification of manual structure	J. Diettrich 04.11.2013	F. Schwanke 04.11.2013
4.1.1/E	Editorial changes	J. Diettrich 02.11.2015	S. Lembke 02.11.2015
4.2.1/E	Changes within the segments SG2 CTA and COM and SG3/ERC	J. Diettrich 10.11.2015	S. Lembke 10.11.2015
4.2.2/E	Addition of chapter 5 - Examples of ZAPP Status Messages	J. Diettrich 08.02.2016	S. Lembke 08.02.2016

Change requests

DAKOSY

Datenkommunikationssystem AG

Mattentwiete 2

20457 Hamburg

1. Phone: + 49 40 37003 - 0
2. Fax: + 49 40 37003 - 370
3. Email: info@dakosy.de

Used tools

Number	Used tools
W1	This document was produced with the word processing programme MS Word 2010 .

Liability

1. Please note that no liability claims can be derived towards DAKOSY AG for the content of this manual, despite careful developing and examination of this document!

Table of contents

1. Introduction	5
2. Service segments	6
2.1 Formatting rules for data transmission.....	6
2.2 Explanations to the message structure	7
3. Branching Diagram	7
4. Segment Description.....	10
5. Examples for ZAPP Status Messages	24
5.1 Error Message.....	24
5.2 Release Z-Number	24
5.3 ZAPP Status completion exit.....	24

1. Introduction

The actual version describes the **APERAK** message that is given back as response to incoming data of the presentation notification or manifest of the transactions GM01/GM02 to the originators. At the same time the **APERAK** message is being used as status message for transaction GM01¹ (loading stop, release,...). Finally ATLAS AES status information „examination“ and „permission to exit“ may be received from ZAPP/AES.

If an error occurs during the syntax- or plausibility check of the incoming presentation notification (GM01)/ manifest data (GM02) the APERAK message is used to transmit the corresponding error code. A current schedule with corresponding error codes is available at <http://www.dakosy-direct.de>. The entry of correct data is being acknowledged by the APERAK – combined with the returning of ZAPP references in transaction GM01.

Status messages created by customs (ZAPP) are forwarded to the participants (of the communication) using transaction GM01 (presentation notification).

ZAPP specific explanations and information are based on the EDIFACT guide **Acknowledgement message APERAK**.

APERAK messages depending on the transaction

GM01:

- error messages
- OK messages with returning of the ZAPP reference (B-number or Z-number)
- status messages (loading stop, release, completion, permission to exit, ...)
- notes, warnings

GM02:

- error messages
- OK messages

DY01 (HDS):

- status messages (loading stop, release, completion, permission to exit, ...)
- notes, warnings

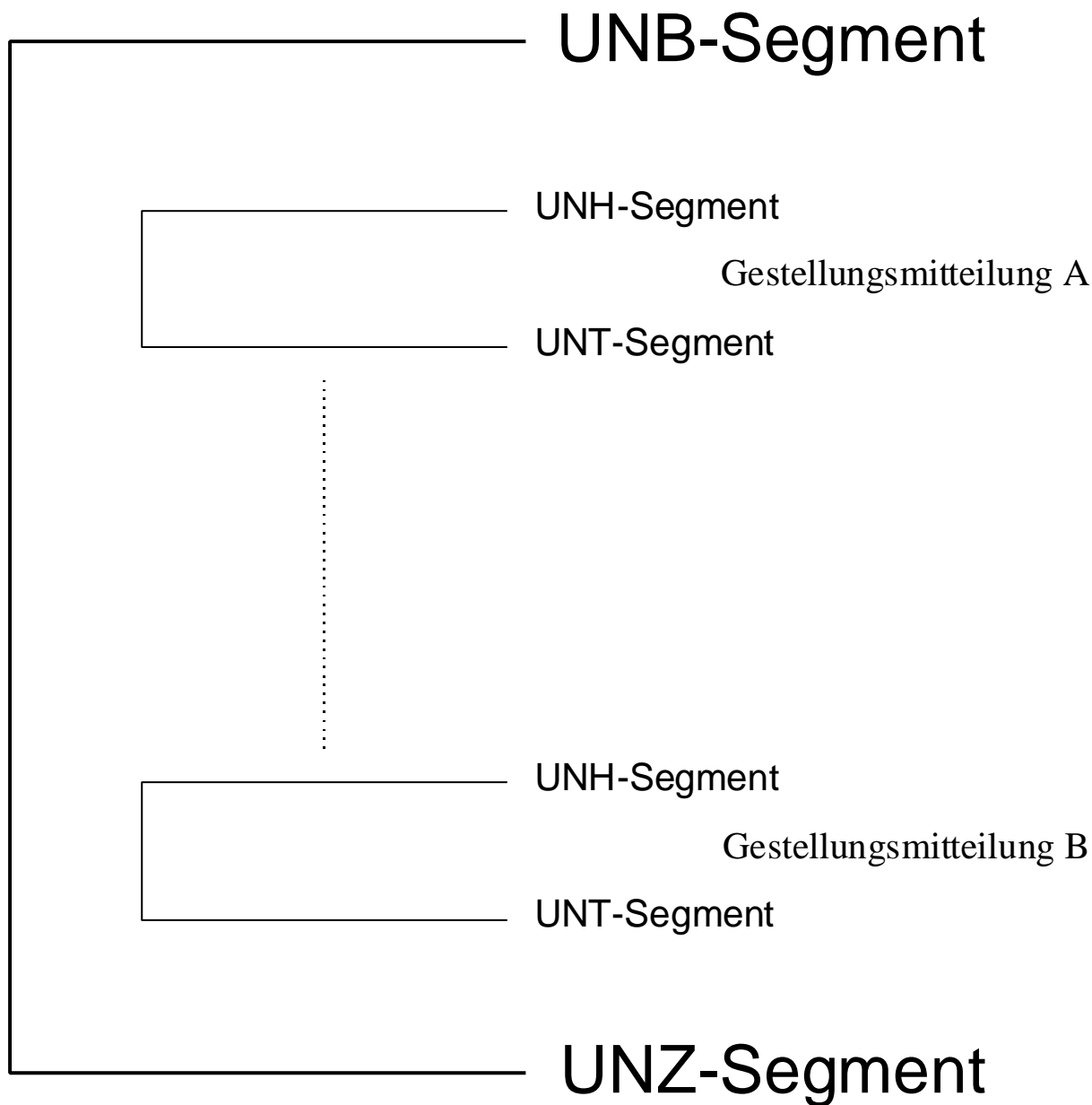
General principles for the communication with DAKOSY are stored in the module „general part“ and therefore no component of this module.

¹ A status message (loading stop/release see chapter **Fehler! Verweisquelle konnte nicht gefunden werden.**) refers to a ZAPP reference that has been created per presentation notification (GM01) or HDS (DY01).

2. Service segments

2.1 Formatting rules for data transmission

Structure of interchange:



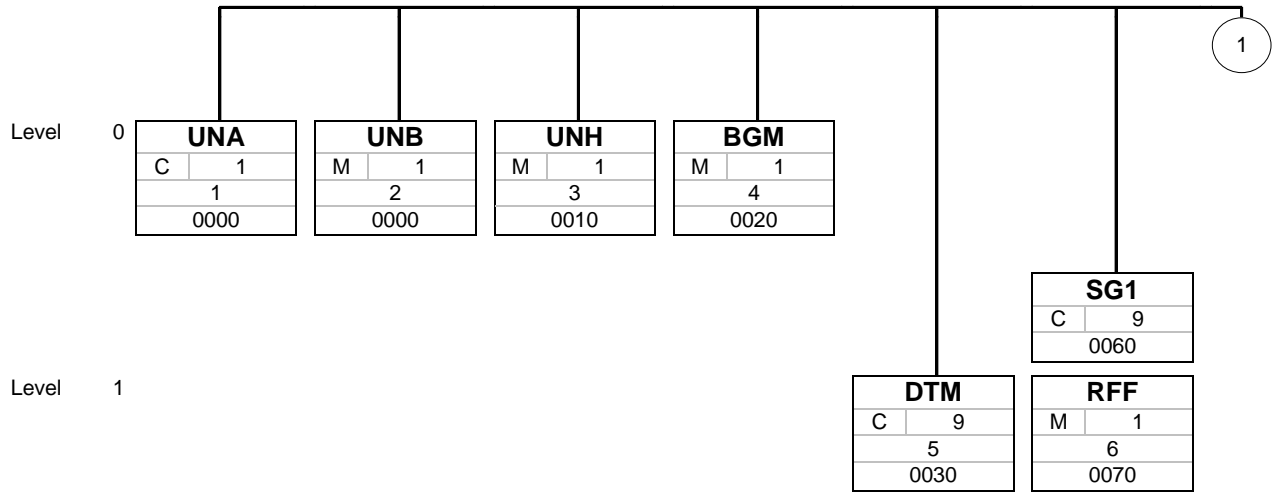
The interchange is limited by the segments UNB and UNZ.

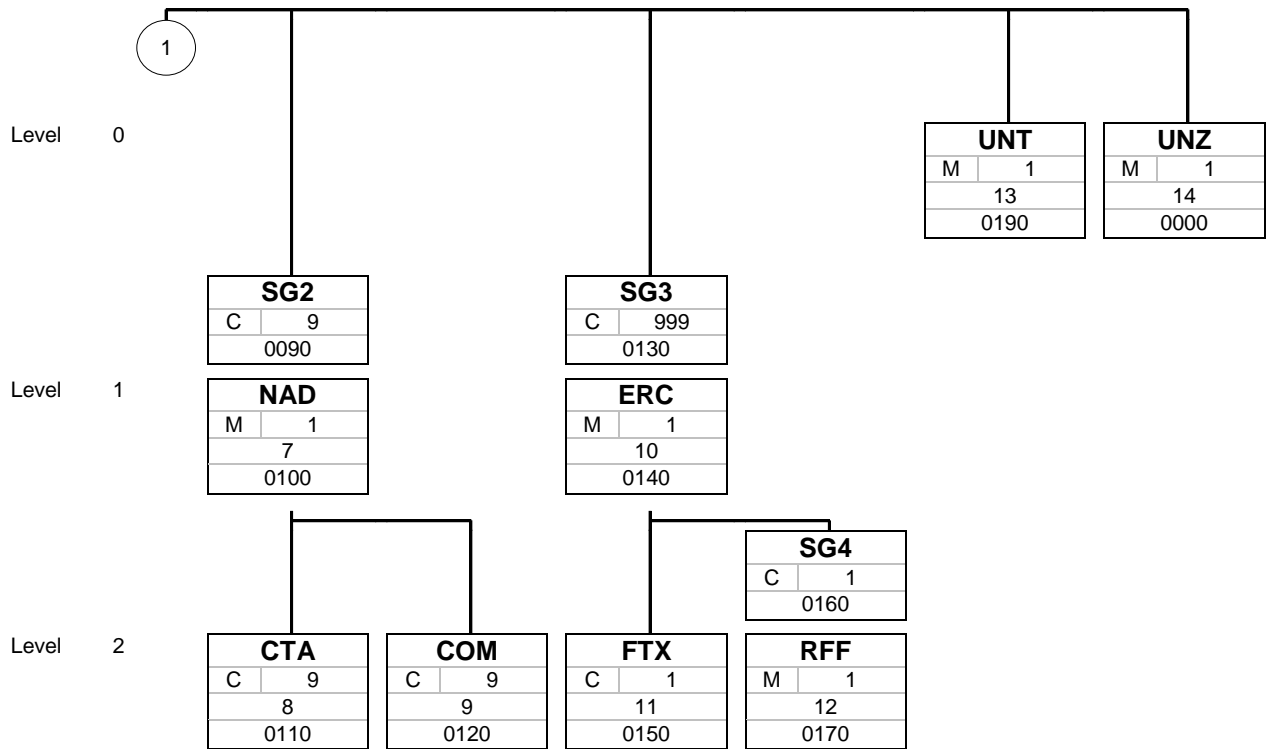
2.2 Explanations to the message structure

The following schedule only contains used segments and segment groups.

Counte	No	Tag	St	MaxOcc	Level	Content
0000	1	UNA	C	1	0	SERVICE STRING ADVICE
0000	2	UNB	M	1	0	INTERCHANGE HEADER
0010	3	UNH	M	1	0	Message header
0020	4	BGM	M	1	0	Beginning of message
0030	5	DTM	C	9	1	Date/time/period
0060		SG1	C	9	1	RFF
0070	6	RFF	M	1	1	Reference of presentor
0090		SG2	C	9	1	NAD-CTA-COM
0100	7	NAD	M	1	1	Sender of data (DAKOSY) or original sender of data
0110	8	CTA	C	9	2	Contact information
0120	9	COM	C	9	2	Communication contact / phone number
0130		SG3	C	999	1	ERC-FTX-SG4
0140	10	ERC	M	1	1	Application error information
0150	11	FTX	C	1	2	Free text
0160		SG4	C	1	2	RFF
0170	12	RFF	M	1	2	Reference
0190	13	UNT	M	1	0	Message trailer
0000	14	UNZ	M	1	0	INTERCHANGE TRAILER

3. Branching Diagram





4. Segment Description

Counter	No	Tag	Var	St	MaxOcc	Level	Name
0000	1	UNA	1	C	1	0	SERVICE STRING ADVICE

		Standard	Implementation	
Tag	Name	St Format	St Format	Usage / Remark
UNA				
UNA1	Component data element separator	M an1	M an1	:
UNA2	Data element separator	M an1	M an1	+
UNA3	Decimal notation	M an1	M an1	.
UNA4	Release indicator	M an1	M an1	?
UNA5	Reserved for future use	M an1	M an1	Blank/space
UNA6	Segment terminator	M an1	M an1	'

Remark:

Example:

UNA: + . ? ' '

Counter	No	Tag	Var	St	MaxOcc	Level	Name
---------	----	-----	-----	----	--------	-------	------

0000 2 **UNB** 1 M 1 0 INTERCHANGE HEADER

Standard			Implementation	
Tag	Name	St Format	St Format	Usage / Remark
UNB				
S001	SYNTAX IDENTIFIER	M	R	
0001	Syntax identifier	M a4	R a4	UNOB UN/ECE level B
0002	Syntax version number	M n1	R n1	
S002	INTERCHANGE SENDER	M	R	
0004	Sender identification	M an..35	R an..35	
0007	Partner identification code qualifier	C an..4	O an..4	
0008	Address for reverse routing	C an..14	N	Not used
S003	INTERCHANGE RECIPIENT	M	R	
0010	Recipient identification	M an..35	R an..35	
0007	Partner identification code qualifier	C an..4	O an..4	
0014	Routing address	C an..14	N	Not used
S004	DATE/TIME OF PREPARATION	M	R	
0017	Date of preparation	M n6	R n6	Date Format: YYMMDD
0019	Time of preparation	M n4	R n4	Time Format: HHMM
0020	Interchange control reference	M an..14	R an..14	This reference must be assigned uniquely!
S005	RECIPIENT'S REFERENCE PASSWORD	C	D	
0022	Recipient's reference/password	M an..14	R an..14	
0025	Recipient's reference/password qualifier	C an2	N	Not used
0026	Application reference	C an..14	N	Not used
0029	Processing priority code	C a1	N	Not used
0031	Acknowledgement request	C n1	N	Not used
0032	Communications agreement ID	C an..35	N	Not used
0035	Test indicator	C n1	D n1	Test indicator 1 = Test data X = Echtdaten

Remark:

Used to initialize, identify and describe an interchange.

Example:

UNB+UNOB:1+++00000X:000X+X+X+++++1'

Counter	No	Tag	Var	St	MaxOcc	Level	Name
0010	3	UNH	1	M	1	0	Message header

Standard			Implementation	
Tag	Name	St Format	St Format	Usage / Remark
UNH				
0062	Message reference number	M an..14	R an..14	
S009	MESSAGE IDENTIFIER	M	R	
0065	Message type identifier	M an..6	R an..6	Code according the used message type
0052	Message type version number	M an..3	R an..3	D Draft directory
0054	Message type release number	M an..3	R an..3	95A Version 95A
0051	Controlling agency	M an..2	R an..2	
0057	Association assigned code	C an..6	R an..6	
0068	Common access reference	C an..35	O an..35	Only to be used if explicit agreed between the interchange partners
S010	STATUS OF THE TRANSFER	C	O	
0070	Sequence message transfer number	M n..2	M n..2	
0073	First/last sequence message transfer indication	C a1	C a1	

Remark:

Used to initialize, identify and describe a message.

Example:

UNH+X+APERAK:D:95A:UN:ZAPP+X+1:C'

Counter	No	Tag	Var	St	MaxOcc	Level	Name
0020	4	BGM	1	M	1	0	Beginning of message

Standard			Implementation	
Tag	Name	St Format	St Format	Usage / Remark
BGM				
C002	DOCUMENT/MESSAGE NAME	C	C	
1001	Document/message name, coded	C an..3	R an..3	GM02: the BGM content of the CUSCAR/GM02 of DE 1001 is being returned. 7 Process data report
1131	Code list qualifier	C an..3	N	Not used
3055	Code list responsible agency, coded	C an..3	N	Not used
1000	Document/message name	C an..35	N	Not used
1004	Document/message number	C an..35	R an..35	DAKOSY session no.
1225	Message function, coded	C an..3	R an..3	9 Original
4343	Response type, coded	C an..3	N	Not used

Remark:

Example:

BGM+7++9'

Counter	No	Tag	Var	St	MaxOcc	Level	Name
0030	5	DTM	1	C	9	1	Date/time/period

Standard			Implementation	
Tag	Name	St Format	St Format	Usage / Remark
DTM				
C507	DATE/TIME/PERIOD	M	M	
2005	Date/time/period qualifier	M an..3	M an..3	46 Cancellation date 137 Document/message date/time 204 Release date (Customs) 226 Discrepancy date/time
2380	Date/time/period	C an..35	R n..12	
2379	Date/time/period format qualifier	C an..3	R an..3	203 CCYYMMDDHHMM

Remark:

Date / time / period of loading stop, ZAPP reference, release, completion (GM01), confirmation of OK message (GM02) or error message (GM01/GM02)

Example:

DTM+46:201403211230:203'

Counter	No	Tag	Var	St	MaxOcc	Level	Name
0060		SG1	1	C	9	1	RFF
0070	6	RFF	1	M	1	1	Reference of presenter

Standard			Implementation	
Tag	Name	St Format	St Format	Usage / Remark
RFF				
C506	REFERENCE	M	M	
1153	Reference qualifier	M an..3	M an..3	Reference of original data sender (DT). ABA Customs valuation decision number ACW Reference number to previous message Message reference no. of sender (see A) VON Voyage number VM Vessel identification
1154	Reference number	C an..35	R an..35	
1156	Line number	C an..6	N	Not used
4000	Reference version number	C an..35	N	Not used

Remark:

A

The message reference no. of the sender will be transmitted in the APERAK, if the APERAK message refers to a prior message of the sender (error, B/Z number allocation). The APERAK message "Z number released" does not contain this reference.

Example:

RFF+ABA:X'

Counter	No	Tag	Var	St	MaxOcc	Level	Name
0090		SG2	1	C	9	1	NAD-CTA-COM
0100	7	NAD	1	M	1	1	Sender of data (DAKOSY) or original sender of data

Standard			Implementation	
Tag	Name	St Format	St Format	Usage / Remark
NAD				
3035	Party qualifier	M an..3	M an..3	DT Declarant MS Document/message issuer/sender
C082	PARTY IDENTIFICATION DETAILS	C	O	
3039	Party id. identification	M an..35	M an..4	DAKOSY (MS), ZAPP (MS), ZAES (MS) or DAKOSY participant code of original sender (DT).
C058	NAME AND ADDRESS	C	N	
3124	Name and address line	M an..35	N	Not used
C080	PARTY NAME	C	N	
3036	Party name	M an..35	N	Not used
C059	STREET	C	N	
3042	Street and number/p.o. box	M an..35	N	Not used
3164	City name	C an..35	N	Not used
3229	Country sub-entity identification	C an..9	N	Not used
3251	Postcode identification	C an..9	N	Not used
3207	Country, coded	C an..3	N	Not used

Remark:

Example:

NAD+DT+X'

Counter	No	Tag	Var	St	MaxOcc	Level	Name
0090		SG2	1	C	9	1	NAD-CTA-COM
0110	8	CTA	1	C	9	2	Contact information

Standard			Implementation	
Tag	Name	St Format	St Format	Usage / Remark
CTA				
3139	Contact function, coded	C an..3	R an..3	BF Service contact DAKOSY support CC Responsible person for information production Service contact customs department for loading stop, release and customs status
C056	DEPARTMENT OR EMPLOYEE DETAILS	C	M	
3413	Department or employee identification	C an..17	N	Not used
3412	Department or employee	C an..35	R an..35	Service contact customs department or DAKOSY support

Remark:

Service contact customs department or DAKOSY support

Example:

CTA+BF+:X'

Counter	No	Tag	Var	St	MaxOcc	Level	Name
0090		SG2	1	C	9	1	NAD-CTA-COM
0120	9	COM	1	C	9	2	Communication contact / phone number

Standard			Implementation	
Tag	Name	St Format	St Format	Usage / Remark
COM				
C076	COMMUNICATION CONTACT	M	M	
3148	Communication number	M an..25	M an..512	Phone no. of DAKOSY support or phone no. of service contact at customs
3155	Communication channel qualifier	M an..3	M an..3	TE Telephone FX Telefax EM Electronic mail TE must be specified (M), FX and EM are optional (C).

Remark:

Example:

COM+X:TE'

Counter	No	Tag	Var	St	MaxOcc	Level	Name
0130		SG3	1	C	999	1	ERC-FTX-SG4
0140	10	ERC	1	M	1	1	Application error information

Standard			Implementation	
Tag	Name	St Format	St Format	Usage / Remark
ERC				
C901	APPLICATION ERROR DETAIL	M	M	
9321	Application error, coded	M an..3	M an..8	ZAPP classic: BNR = B-number (GM01) ERL = Completion (GM01) FRE = Release after prior loading stop (GM01) STO = Loading stop (GM01) sonst = Error and reference code as per DAKOSY code key (GM01/GM02) ZAPP/AES: NRL = temporary Z-number (not released) STO = Examination / loading stop RLS = Permission to exit (Z-number released) sonst = Error and reference code as per DAKOSY code key AAG = Completion exit UAG = Interdiction exit AAB = Exit cancelled WL = Process in forwarding VU = Process / MRN annulled by customs VI = Process / MRN internationally forwarded via customs
1131	Code list qualifier	C an..3	C an..3	ZAPP
3055	Code list responsible agency, coded	C an..3	C an..3	DAKOSY

Remark:

Status, error code

The segment will not be transmitted for OK messages of the GM02

Example:

ERC+X:ZAP:DAK'

Counter	No	Tag	Var	St	MaxOcc	Level	Name
0130		SG3	1	C	999	1	ERC-FTX-SG4
0150	11	FTX	1	C	1	2	Free text

Standard			Implementation	
Tag	Name	St Format	St Format	Usage / Remark
FTX				
4451	Text subject qualifier	M an..3	C an..3	AAO Error description (free text)
4453	Text function, coded	C an..3	N	Not used
C107	TEXT REFERENCE	C	N	
4441	Free text, coded	M an..3	N	Not used
C108	TEXT LITERAL	C	R	
4440	Free text	M an..70	R an..45	Comments to status change or error code. Comment/ type of means of control: The type of means of control (coded) for an examination order (STOP) from AES will be specified. Digit allocation: 1: Means of control-type (B = examination, D = presentation of documents, R = x-ray). 2: blank 3-20: MRN 21-23: MRN position (examination) 24-35: Short text Attention: If the status message is not an examination the following transmission applies: 1: - 2: blank 3-20: MRN 21-23: blank 24-35: Short text If Segment ERC indicates ATLAS error 403 the following applies: Digit 1-20: DY01 403 ATLAS error to MRN Digit 21: blank Digit 22-40: MRN
4440	Free text	C an..70	D an..70	Used to transmit texts from ATLAS error messages or loading stops, if required. This DE is used in case of error 175 = declaration type SACO, to specify the invalid B-number.
4440	Free text	C an..70	D an..70	Used to transmit texts from ATLAS error messages or loading stops, if required.
4440	Free text	C an..70	O an..70	Used to transmit texts from ATLAS error messages or loading stops, if required.
4440	Free text	C an..70	O an..70	Used to transmit texts from ATLAS error messages or loading stops, if required.
3453	Language, coded	C an..3	N	Not used

Remark:

Comments to status change or error code
The segment will not be transmitted for OK messages of the GM02.

Example:

FTX+AAO+++X:X:X:X'

Counter	No	Tag	Var	St	MaxOcc	Level	Name
0160		SG4	1	C	1	2	RFF
0170	12	RFF	1	M	1	2	Reference

Standard			Implementation	
Tag	Name	St Format	St Format	Usage / Remark
RFF				
C506	REFERENCE	M	M	
1153	Reference qualifier	M an..3	M an..3	ZAPP reference (GM01) AAQ Unit load device (e.g. container) identification number ABA Customs valuation decision number
1154	Reference number	C an..35	R an..35	ZAPP reference (ABA) or container number (AAQ).
1156	Line number	C an..6	N	Not used
4000	Reference version number	C an..35	N	Not used

Remark:

ZAPP reference (B- or Z-number) and container number
The segment will not be transmitted for OK messages of the GM02.

Example:

RFF+AAQ:X'

Counter	No	Tag	Var	St	MaxOcc	Level	Name
0190	13	UNT	1	M	1	0	Message trailer

Standard			Implementation	
Tag	Name	St Format	St Format	Usage / Remark
UNT				
0074	Number of segments in a message	M n..6	R n..6	Number of segments. The segments UNH and UNT are included in the count.
0062	Message reference number	M an..14	R an..14	Message reference no. has to be the same as sent in UNH/0062.

Remark:

Used to close a message and check the completeness.

Example:

UNT++X'

Counter	No	Tag	Var	St	MaxOcc	Level	Name
0000	14	UNZ	1	M	1	0	INTERCHANGE TRAILER

Standard			Implementation	
Tag	Name	St Format	St Format	Usage / Remark
UNZ				
0036	Interchange control count	M n..6	R n..6	Number of segments sent.
0020	Interchange control reference	M an..14	R an..14	Reference no. has to be the same as sent in UNB/0020.

Remark:
Used to complete a message.

Example:
UNZ+1+X'

5. Examples for ZAPP Status Messages

5.1 Error Message

```
UNB+UNOA:2+ZAPP+DAKT+160204:1335+48294355'  
UNH+482943550001+APERAK:D:95A:UN:ZAPP'  
BGM+7+482943550001+9+RE'  
DTM+137:201602041332:203'  
RFF+ABA:SPEDREF002'  
RFF+ACW:UNBREF001'  
NAD+MS+ZAPP'  
CTA+BF+:DAKOSY Teilnehm'  
COM+040 / 378 609 90:TE'  
COM+040 / 378 609 31:FX'  
ERC+063:ZAP:DAK'  
FTX+AAO+++2. Anmeldung einer MRN ist ungueltig'  
UNT+000012+482943550001'  
UNZ+000001+48294355'
```

5.2 Release Z-Number

```
UNB+UNOA:2+ZAPP+DAKT+160204:1125+48148645'  
UNH+481486450001+APERAK:D:95A:UN:ZAPP'  
BGM+7+481486450001+9'  
DTM+204:201602041122:203'  
RFF+ABA:SPEDREF001'  
NAD+MS+ZAES'  
CTA+CC+:4851'  
COM+30213-0:TE'  
ERC+RLS:ZAP'  
RFF+ABA:Z16100001234'  
UNT+000010+481486450001'  
UNZ+000001+48148645'
```

5.3 ZAPP Status completion exit

```
UNB+UNOA:2+ZAPP+DAKT+160204:1210+48205230'  
UNH+482052300001+APERAK:D:95A:UN:ZAPP'  
BGM+7+482052300001+9'  
DTM+204:201602041209:203'  
RFF+ABA:SPEDREF001'  
NAD+MS+ZAES'  
CTA+CC+:4851'  
COM+30213-0:TE'  
ERC+AAG:ZAP'  
FTX+AAO+++ 16DE201602040001E7 Abschluss Au'  
RFF+ABA:Z16100001234'  
UNT+000011+482052300001'
```

